



US00D392679S

United States Patent [19]

Crist et al.

[11] Patent Number: **Des. 392,679**

[45] Date of Patent: ****Mar. 24, 1998**

- [54] **DOCUMENT HOLDER**
- [75] Inventors: **Craig Crist, Muscatine; Conrad Flick, Bettendorf, both of Iowa**
- [73] Assignee: **Curtis Computer Products, Inc., Muscatine, Iowa**
- [**] Term: **14 Years**
- [21] Appl. No.: **72,237**
- [22] Filed: **Jun. 10, 1997**
- [51] **LOC (6) Cl. 19-02**
- [52] **U.S. Cl. D19/88; D19/90; D19/91**
- [58] **Field of Search D19/65, 75, 78, D19/86, 88, 90, 91, 99, 100; D14/114; 248/441.1, 442.2, 444, 447, 447.2, 459; 24/67.3, 67 R, 459, 530, 545; 211/89; 40/341-349; D8/395; 312/7.2**

4,767,093	8/1988	Jones	248/442.2
4,902,078	2/1990	Judd	248/442.2 X
4,934,853	6/1990	King, III	248/442.2 X
5,078,358	1/1992	Egly et al.	248/447.1

Primary Examiner—Martie Thompson
Attorney, Agent, or Firm—Richard P. Crowley

[57] CLAIM

The ornamental design for a document holder, as shown and described

DESCRIPTION

FIG. 1 is a perspective front view from above of our new ornamental design for a document holder. The documents held, a bracket fastener support arm, and a computer monitor are shown in broken lines for illustration purposes only, and are not part of the claimed design;

FIG. 2 is an elevational view of the rear side of the document holder of the claimed design;

FIG. 3 is a top plan view of the document holder of the claimed design;

FIG. 4 is a bottom plan view of the document holder of the claimed design;

FIG. 5 is a side elevational view of one side of the document holder of the claimed design; and,

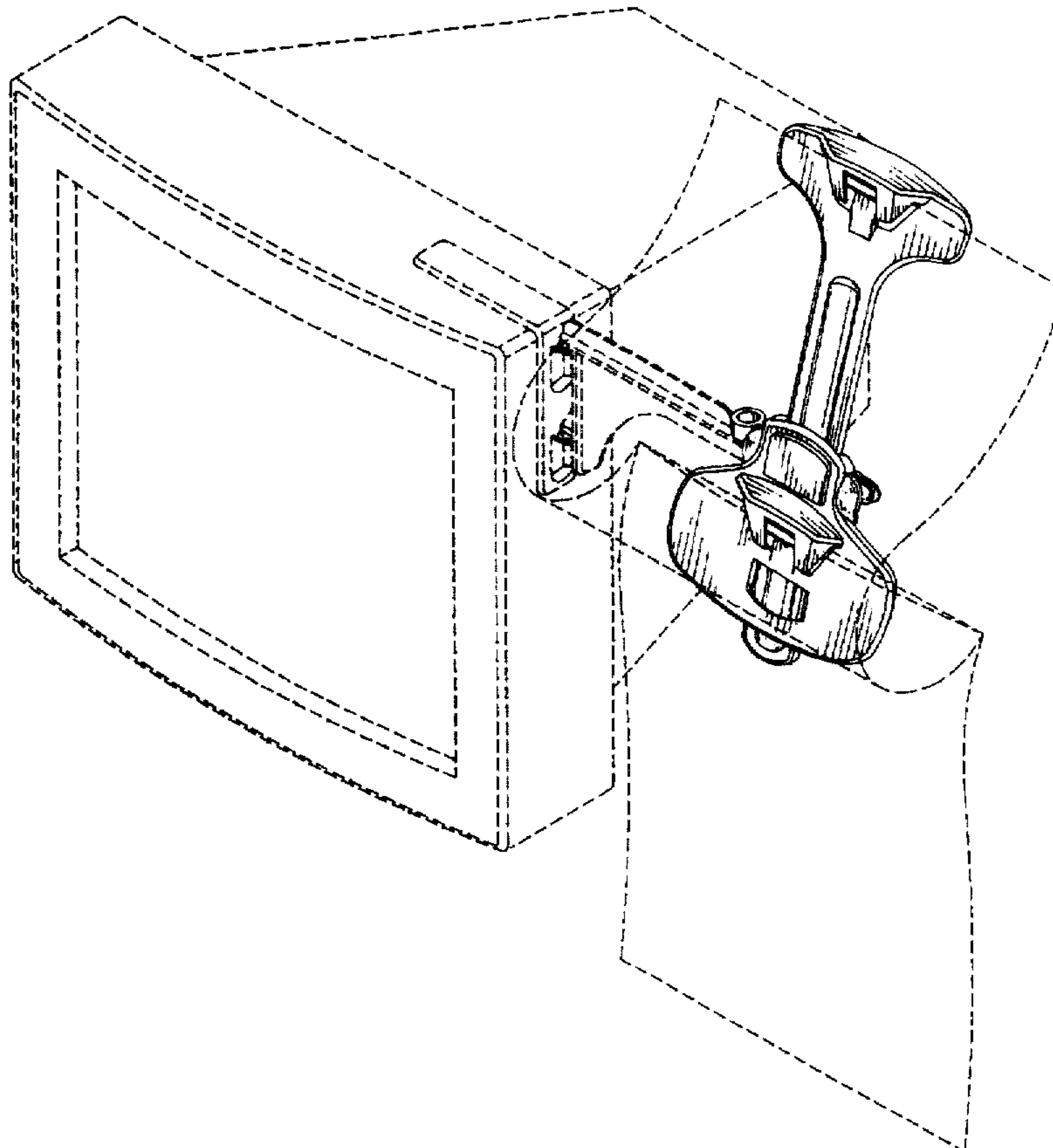
FIG. 6 is a side elevational view of the opposite side of the document holder of the claimed design.

1 Claim, 3 Drawing Sheets

[56] References Cited

U.S. PATENT DOCUMENTS

D. 309,607	7/1990	Nemeth	D19/88 X
D. 327,501	6/1992	Maloney	D14/114 X
D. 327,502	6/1992	Maloney	D19/88
D. 334,947	4/1993	Egly et al.	D19/88
D. 351,419	10/1994	Goekler	D19/90 X
D. 355,219	2/1995	Jones et al.	D19/88



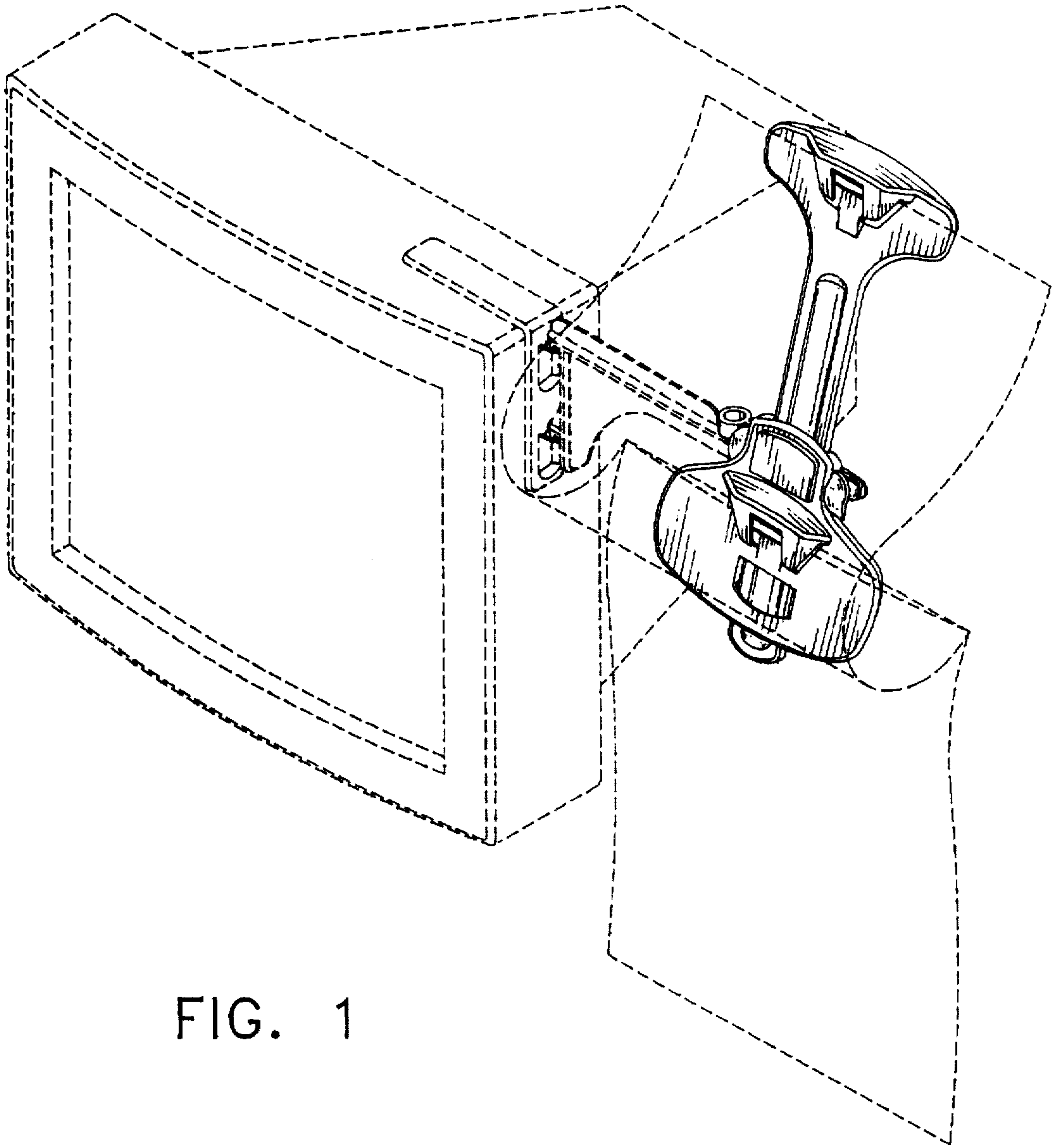


FIG. 1

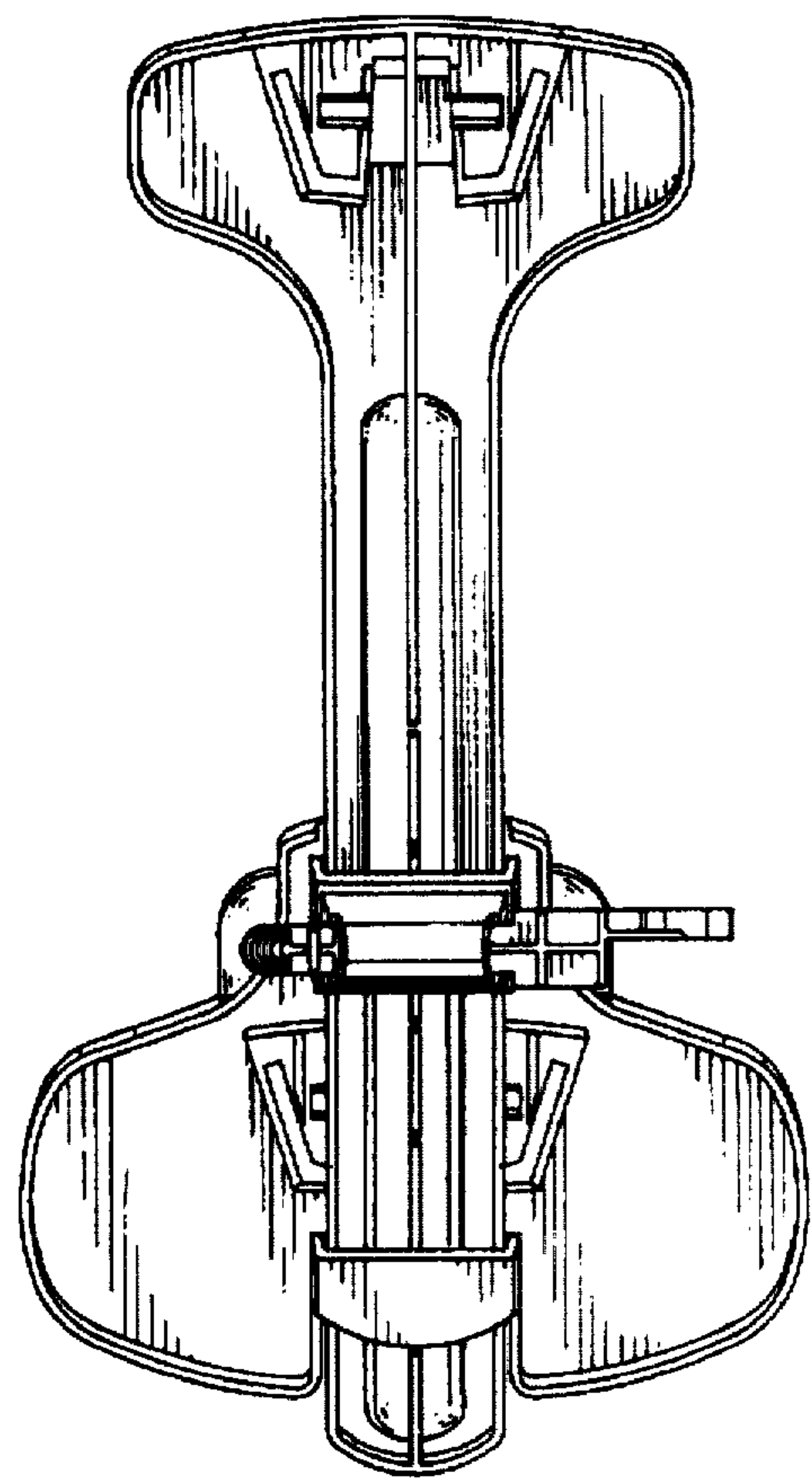


FIG. 2

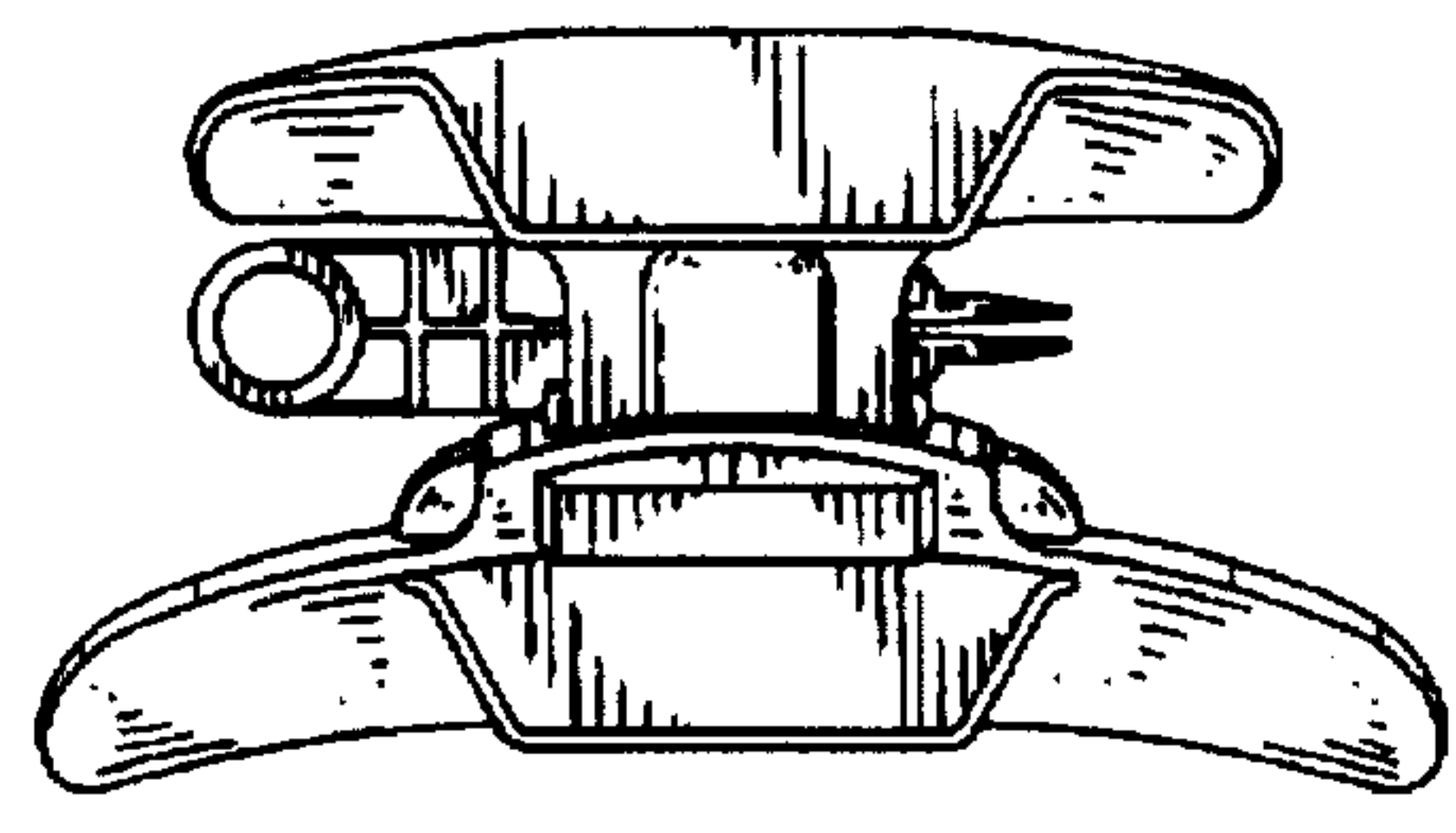


FIG. 3

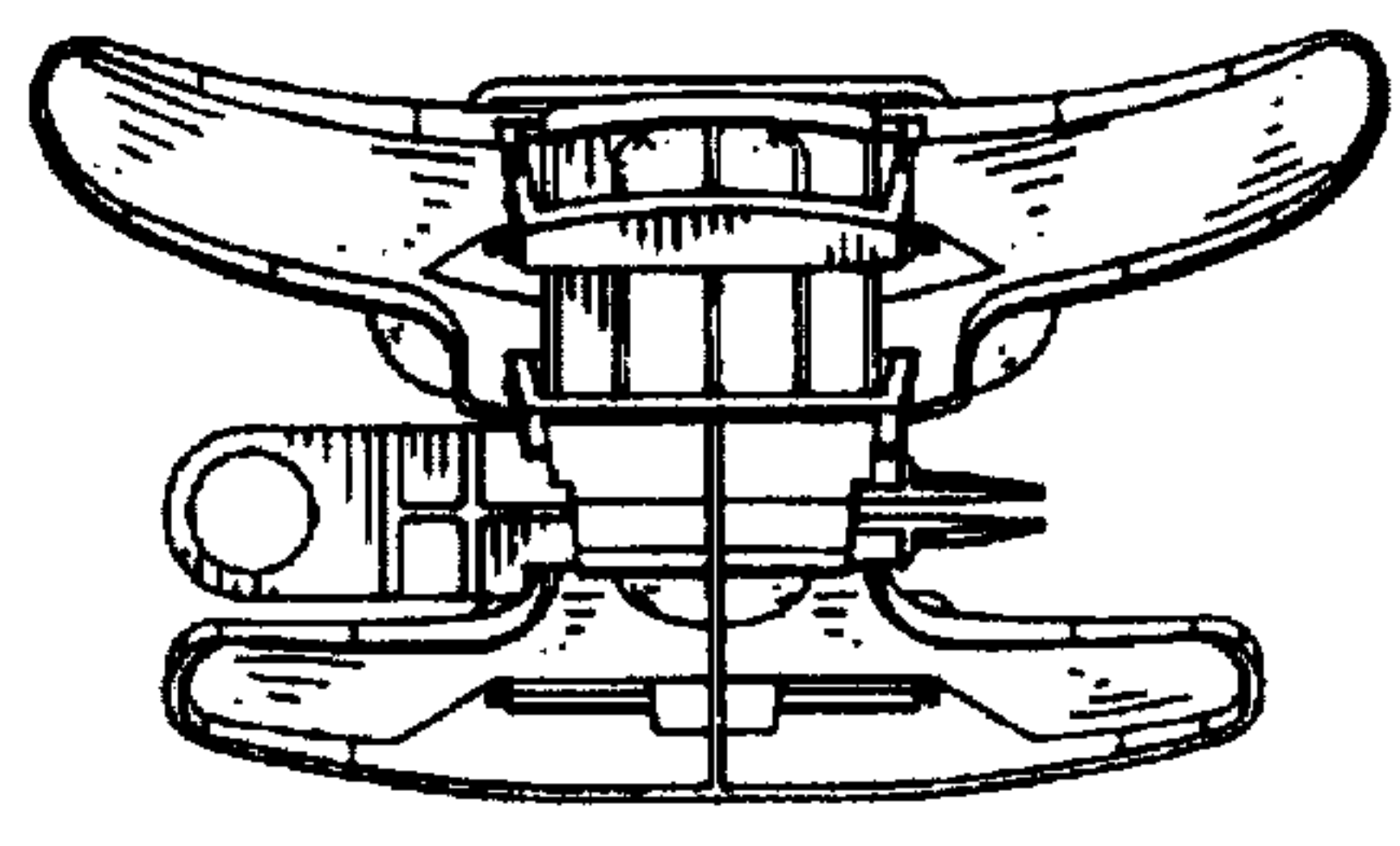


FIG. 4

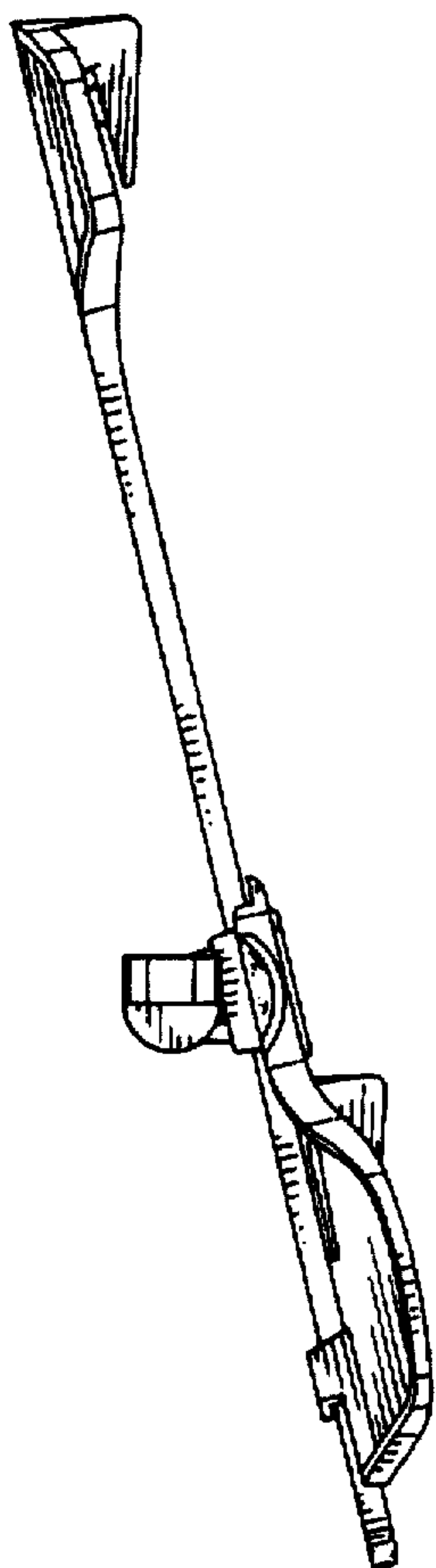


FIG. 5

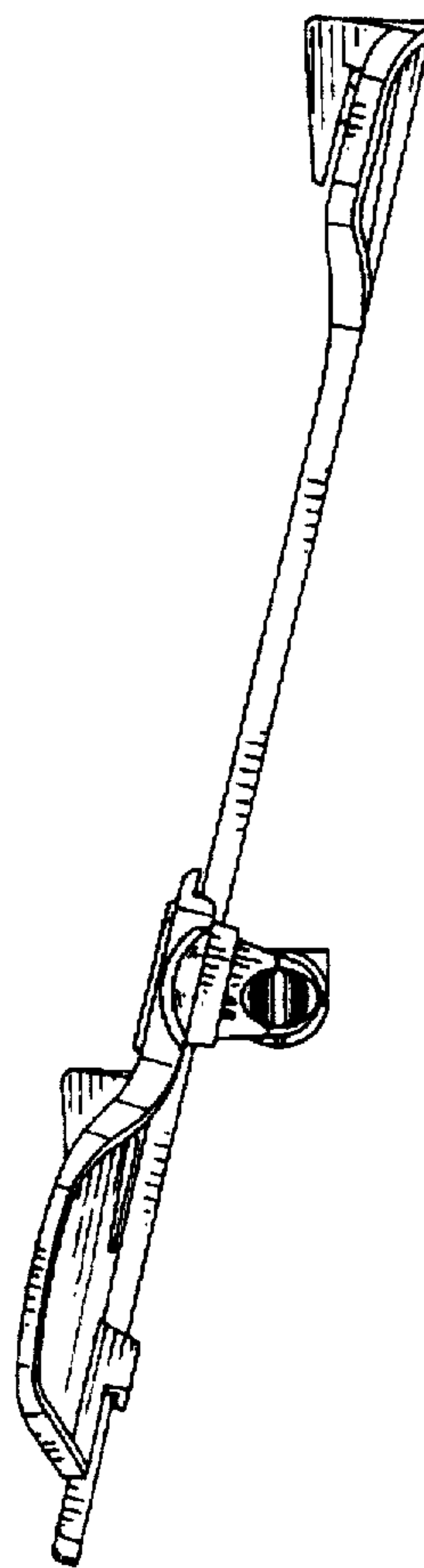


FIG. 6