



US00D392678S

# United States Patent [19]

Cornell et al.

[11] Patent Number: **Des. 392,678**

[45] Date of Patent: **\*\*Mar. 24, 1998**

[54] **ADHESIVE PAPER DISPENSING TRAY**

[76] Inventors: **Stephen R. Cornell**, 66 Fuller St., Middleboro, Mass. 02346; **Robert G. Cornell**, 200 Crescent St., Duxbury, Mass. 02332

[\*\*] Term: **14 Years**

[21] Appl. No.: **66,198**

[22] Filed: **Feb. 7, 1997**

[51] LOC (6) Cl. .... **19-02**

[52] U.S. Cl. .... **D19/86; D19/65; D19/92**

[58] Field of Search ..... D19/65, 75, 78, D19/86, 91, 92, 95, 96, 99, 100; 211/10, 13, 50, 126; 206/215, 555, 557, 560, 565; D6/515

[56] **References Cited**

**U.S. PATENT DOCUMENTS**

- D. 127,201 5/1941 Gower ..... D19/96
- D. 292,044 9/1987 Billiet ..... D6/300
- D. 322,462 12/1991 Wehrle ..... D19/92

- D. 348,693 7/1994 Tillyer, Sr. .... D19/86
- 612,096 10/1898 Goldberg ..... 206/557
- 2,621,807 12/1952 Rendich ..... 211/50 X
- 3,780,854 12/1973 Ruppenthal ..... 211/50 X
- 5,480,037 1/1996 Pope ..... 206/215 X

*Primary Examiner*—Martie Thompson  
*Attorney, Agent, or Firm*—Don Halgren

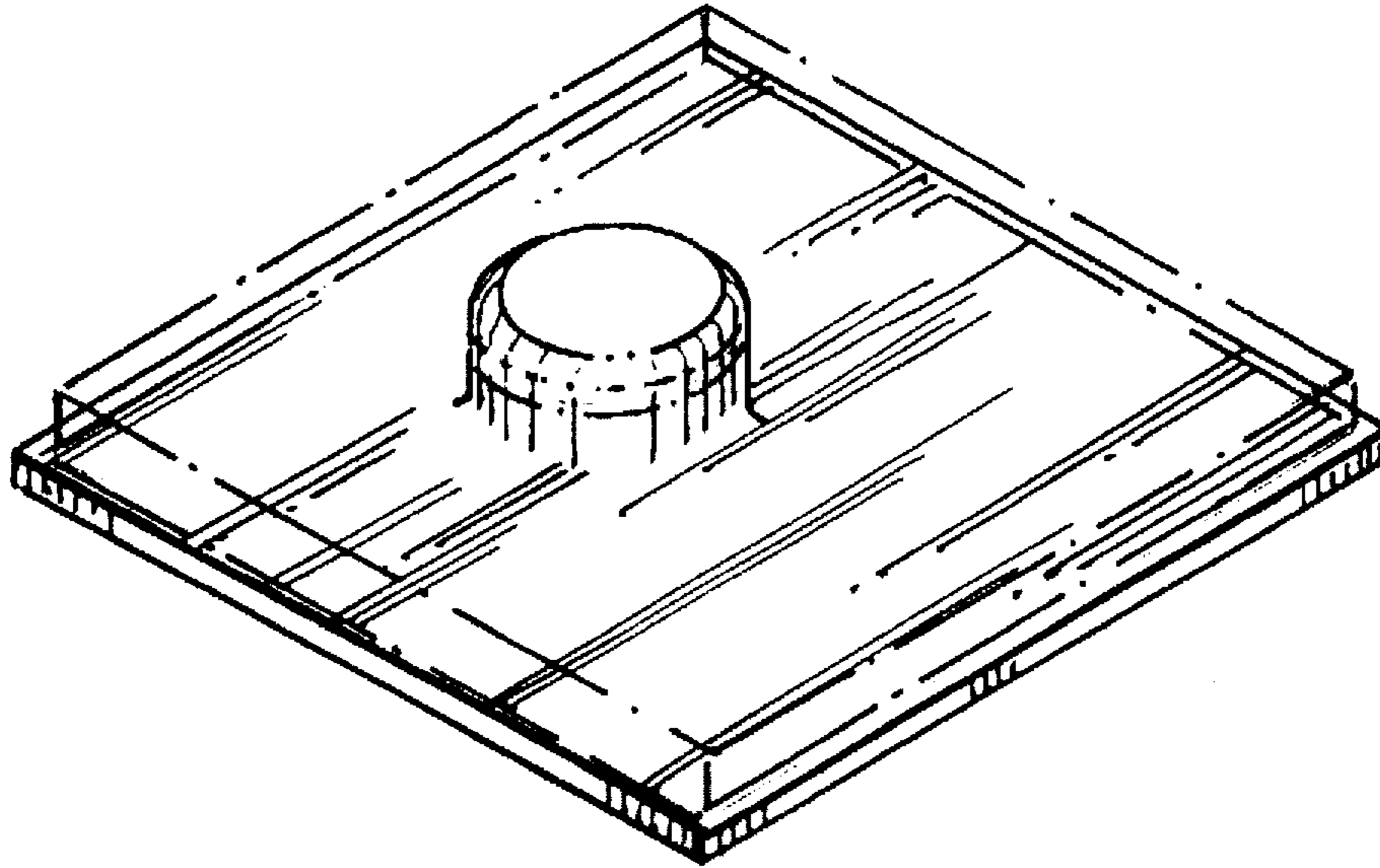
[57] **CLAIM**

The ornamental design for the adhesive paper dispensing tray, as shown and described.

**DESCRIPTION**

FIG. 1 is a perspective view of the adhesive paper dispensing tray showing our new design; FIG. 2 is a side elevational view of the left side of the adhesive paper dispensing tray; and FIG. 3 is a top plan view of the adhesive paper dispensing tray, the bottom thereof being flat and unornamented. The pad of adhesive paper depicted by means of broken lines in the views has been shown for illustrative purposes only and forms no part of the claimed design.

**1 Claim, 1 Drawing Sheet**



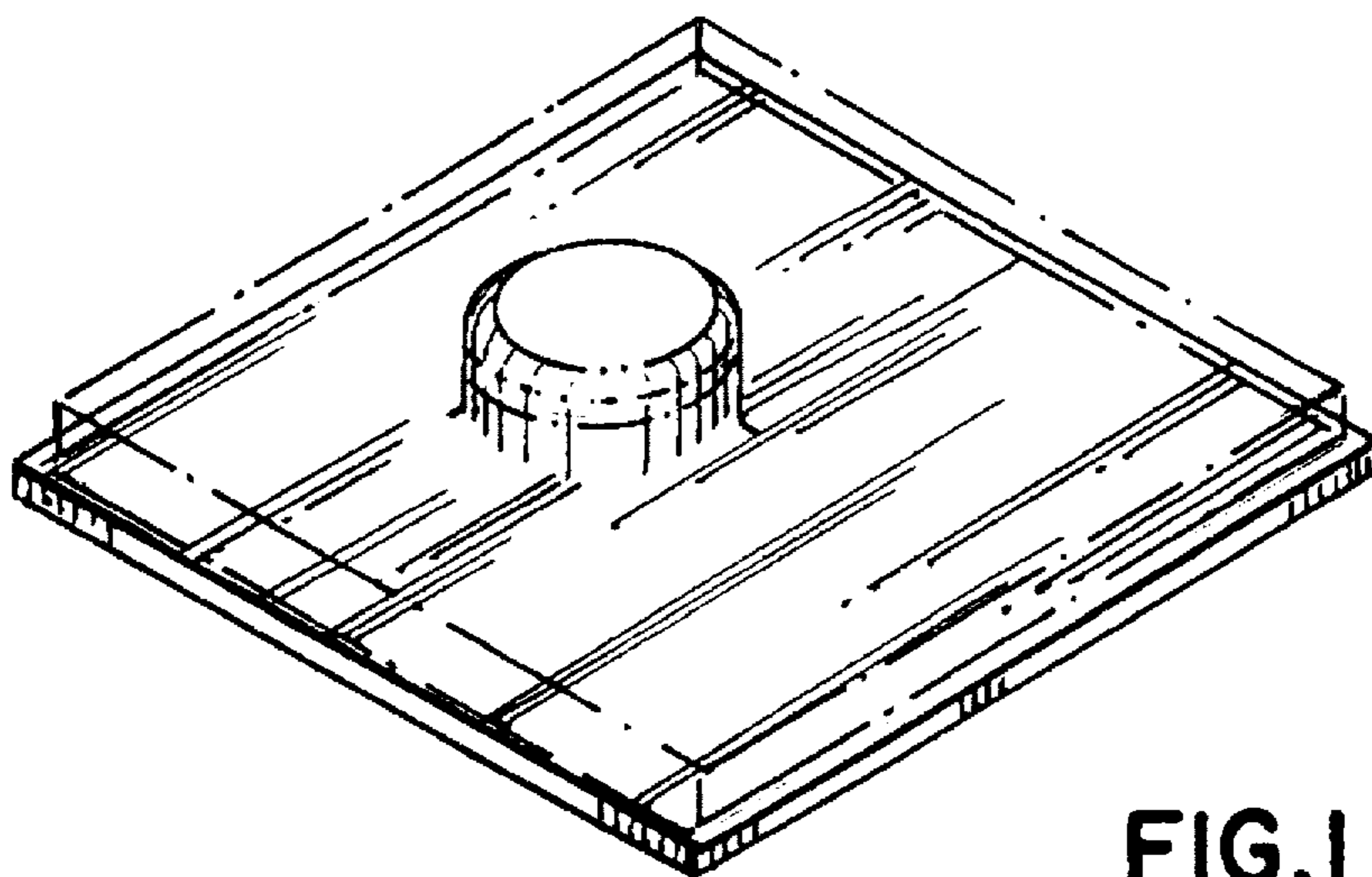


FIG. 1



FIG. 2

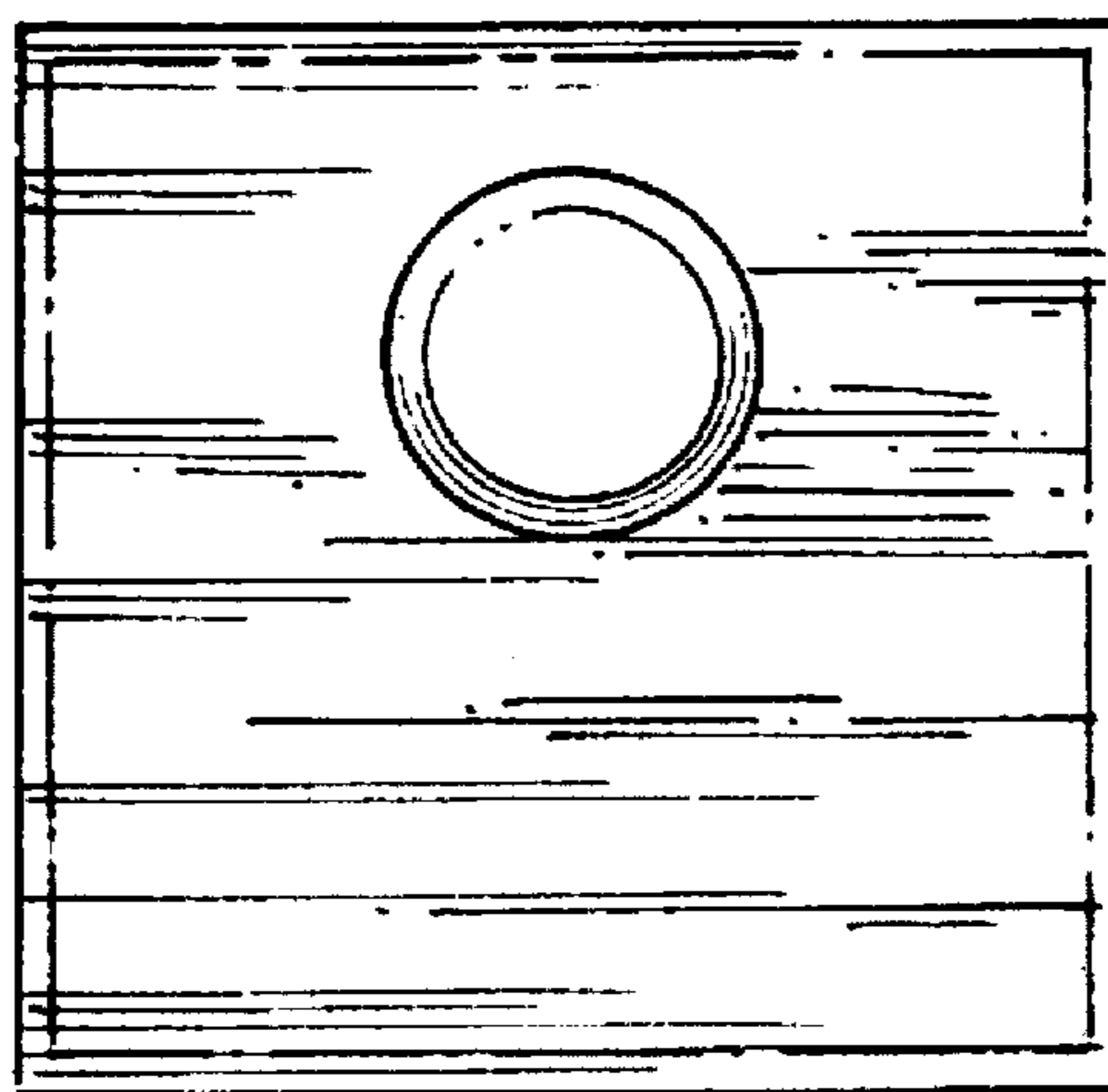


FIG. 3