



US00D392672S

# United States Patent [19]

[11] Patent Number: **Des. 392,672**

Inoue et al.

[45] Date of Patent: **\*\*Mar. 24, 1998**

[54] **COMBINED INK TANK HOLDER AND PRINTING HEAD FOR PRINTER**

5,576,750 11/1996 Brandon et al. .... 347/87  
5,619,237 4/1997 Inoue et al. .... 347/86

[75] Inventors: **Manabu Inoue**, Yokohama; **Toshiaki Hirosawa**, Hiratsuka; **Osamu Morita**, Yokosuka, all of Japan

### FOREIGN PATENT DOCUMENTS

583154 2/1994 European Pat. Off. .... 347/87  
000594124 4/1994 European Pat. Off. .... 347/87  
000639462 2/1995 European Pat. Off. .... 347/86  
639461 2/1995 European Pat. Off. .... 347/86  
1141560 6/1986 Japan ..... 347/87  
2261451 11/1987 Japan ..... 347/86  
2187349 7/1990 Japan ..... 347/87  
402204052 8/1990 Japan ..... 347/87  
3101945 4/1991 Japan ..... 347/87  
3234653 10/1991 Japan ..... 347/86  
4247960 9/1992 Japan ..... 347/87  
404363254 12/1992 Japan ..... 347/87  
404369559 12/1992 Japan ..... 347/87  
4347653 12/1992 Japan ..... 347/86  
5162329 6/1993 Japan ..... 347/86  
405201020 8/1993 Japan ..... 347/87  
5278227 10/1993 Japan ..... 347/86  
2241201 8/1991 United Kingdom ..... 347/86

[73] Assignee: **Canon Kabushiki Kaisha**, Tokyo, Japan

[\*\*] Term: **14 Years**

[21] Appl. No.: **69,120**

[22] Filed: **Apr. 11, 1997**

### [30] Foreign Application Priority Data

Oct. 16, 1996 [JP] Japan ..... 8-30936

[51] LOC (6) Cl. .... **19-02**

[52] U.S. Cl. .... **D18/56; 347/87**

[58] Field of Search ..... **D18/56, 43; 347/86-87; 101/348**

*Primary Examiner*—Cathy Anne MacCormac  
*Attorney, Agent, or Firm*—Fitzpatrick, Cella, Harper & Scinto

### [56] References Cited

#### U.S. PATENT DOCUMENTS

D. 352,058 11/1994 Kubota et al. .... D18/56  
D. 371,804 7/1996 Kotaki et al. .... D18/56  
D. 382,013 8/1997 Tashiro et al. .... D18/56  
D. 382,014 8/1997 Tashiro et al. .... D18/56  
4,709,246 11/1987 Platt et al. .... 347/87  
4,998,115 3/1991 Nevarez et al. .... 347/87  
5,182,581 1/1993 Kashimura et al. .... 347/87  
5,314,257 5/1994 Cheng ..... D18/56  
5,328,279 7/1994 Suzuki et al. .... D18/56  
5,392,063 2/1995 Rhoads ..... 347/86  
5,406,885 4/1995 Privin ..... 101/348  
5,408,756 4/1995 Thoman et al. .... 347/87  
5,497,178 3/1996 DeFosse et al. .... 347/87  
5,500,665 3/1996 Ujita et al. .... 347/87  
5,506,611 4/1996 Ujita et al. .... 347/86

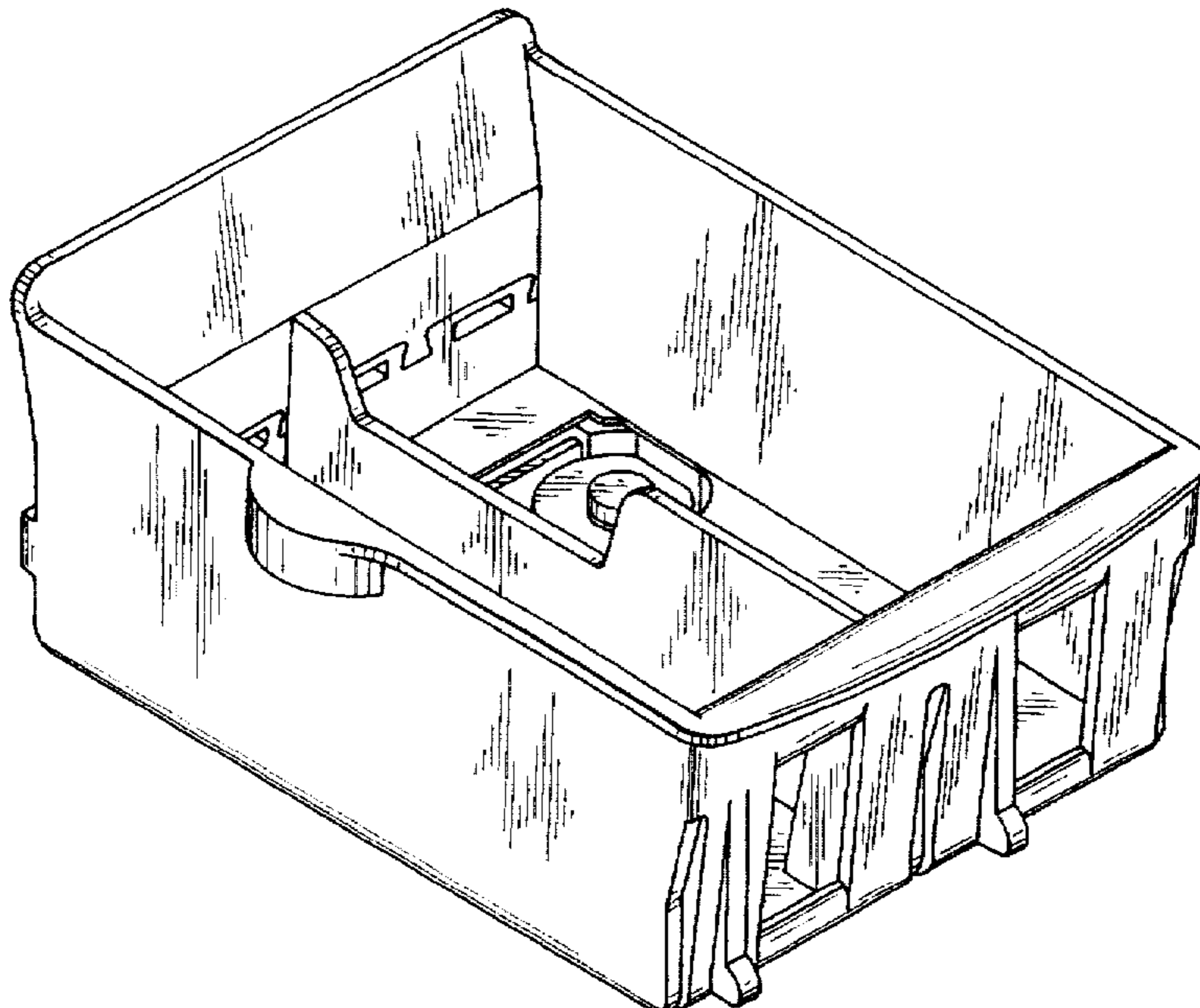
### [57] CLAIM

The ornamental design for a combined ink tank holder and printing head for printer, as shown and described.

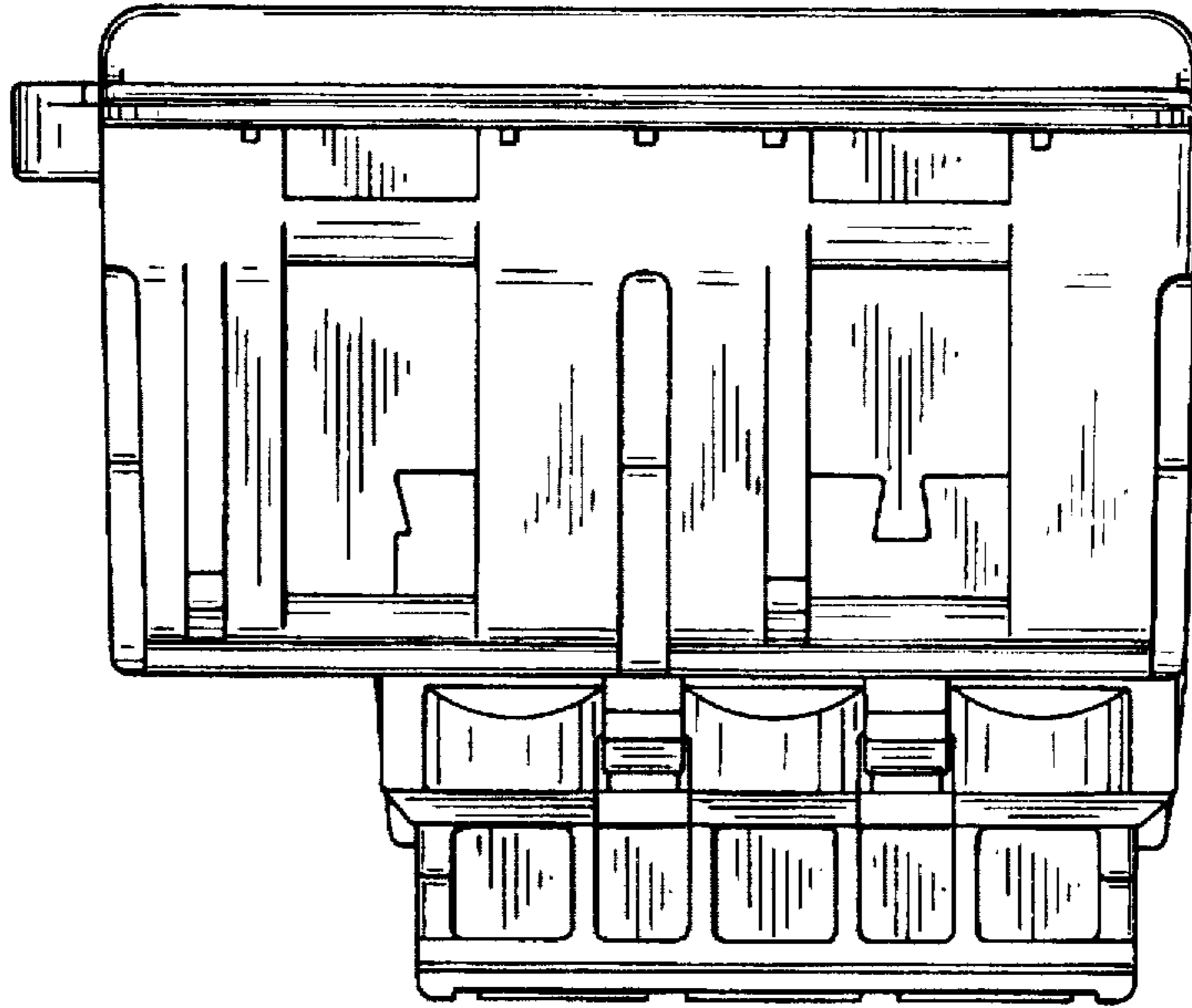
### DESCRIPTION

FIG. 1 is a front view of an ink tank holder with printing head for printer showing our new design;  
FIG. 2 is a rear view thereof;  
FIG. 3 is a top plan view thereof;  
FIG. 4 is a bottom plan view thereof;  
FIG. 5 is a left side view thereof;  
FIG. 6 is a right side view thereof; and,  
FIG. 7 is a perspective view thereof.

**1 Claim, 5 Drawing Sheets**



*FIG. 1*



*FIG. 2*

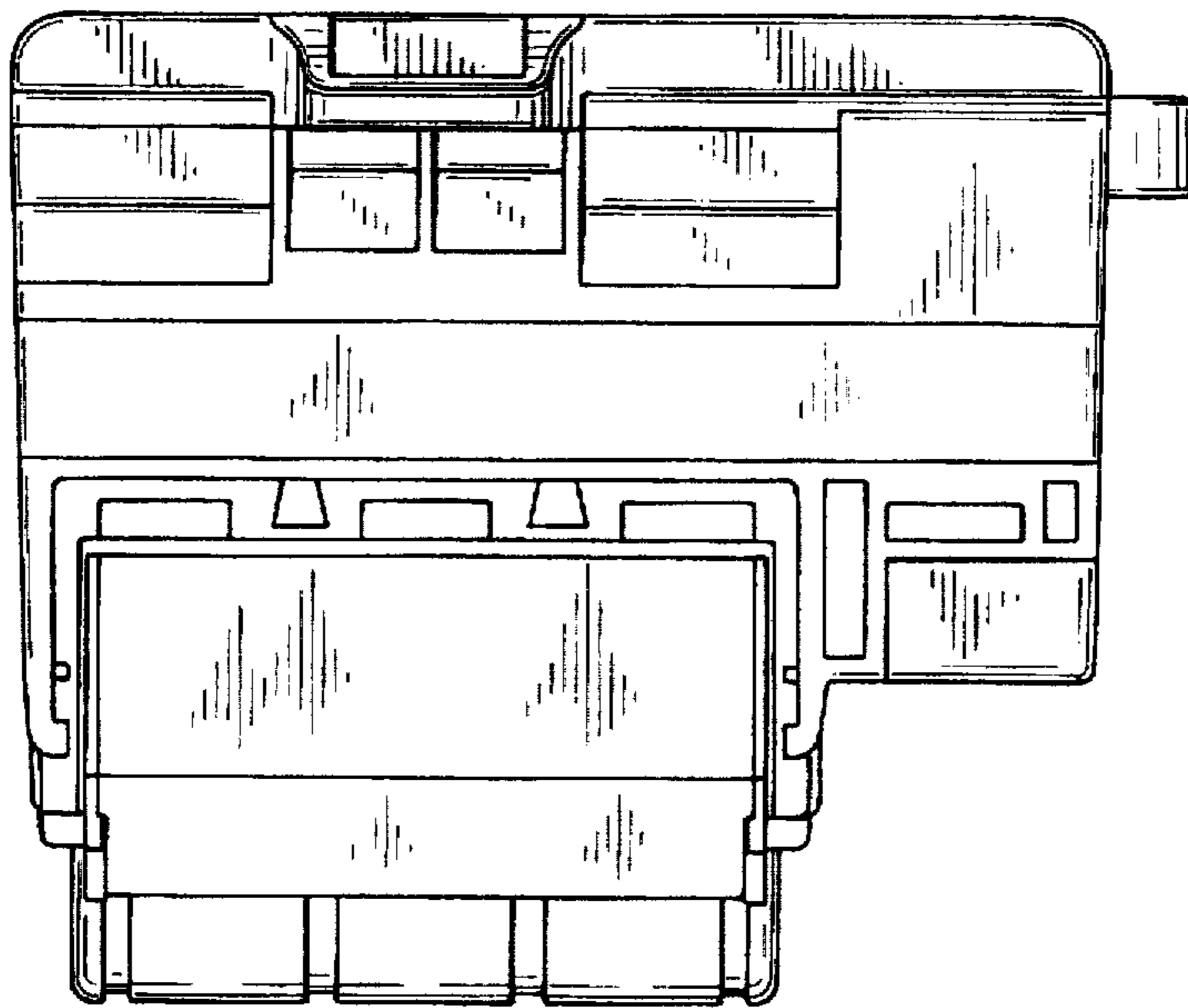


FIG. 3

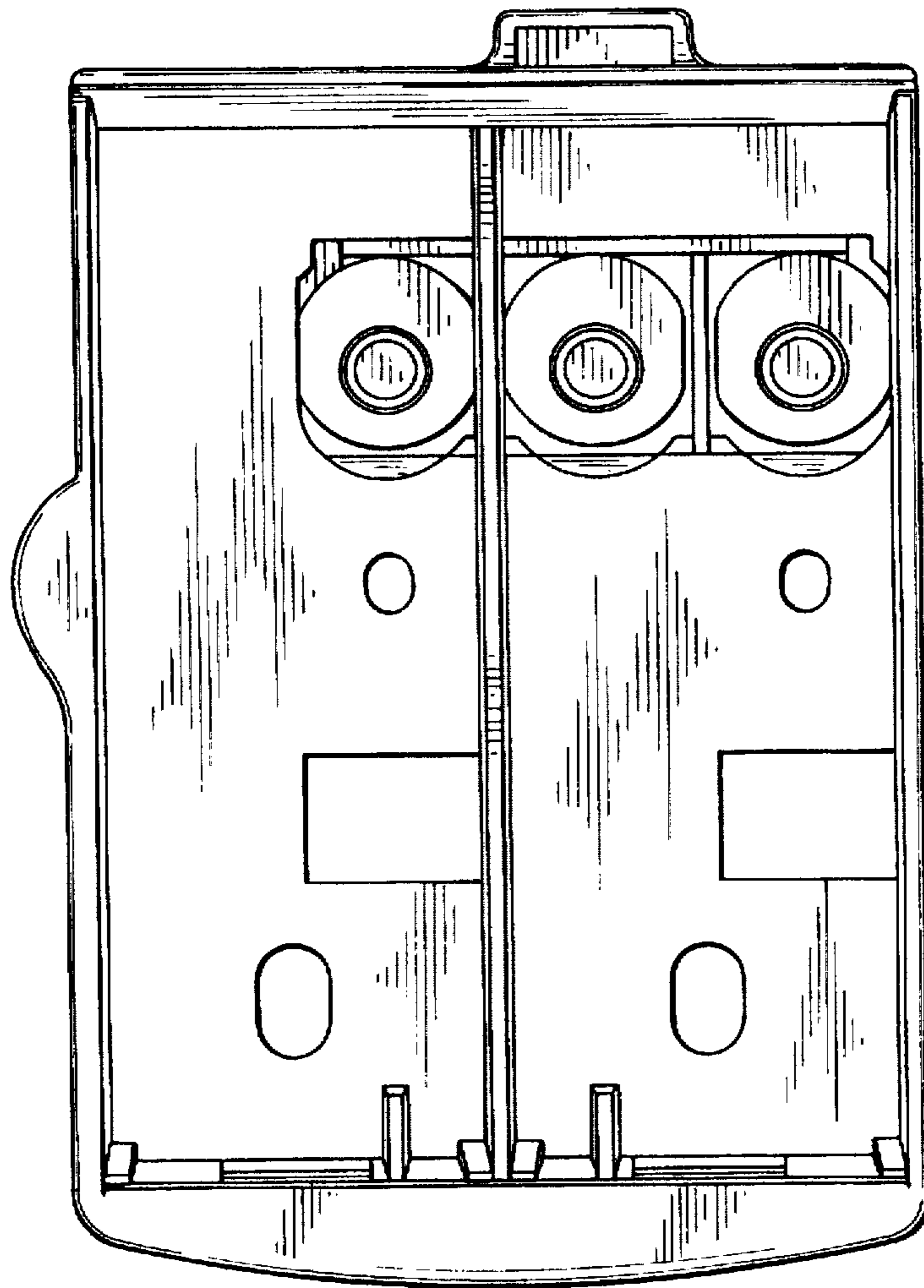
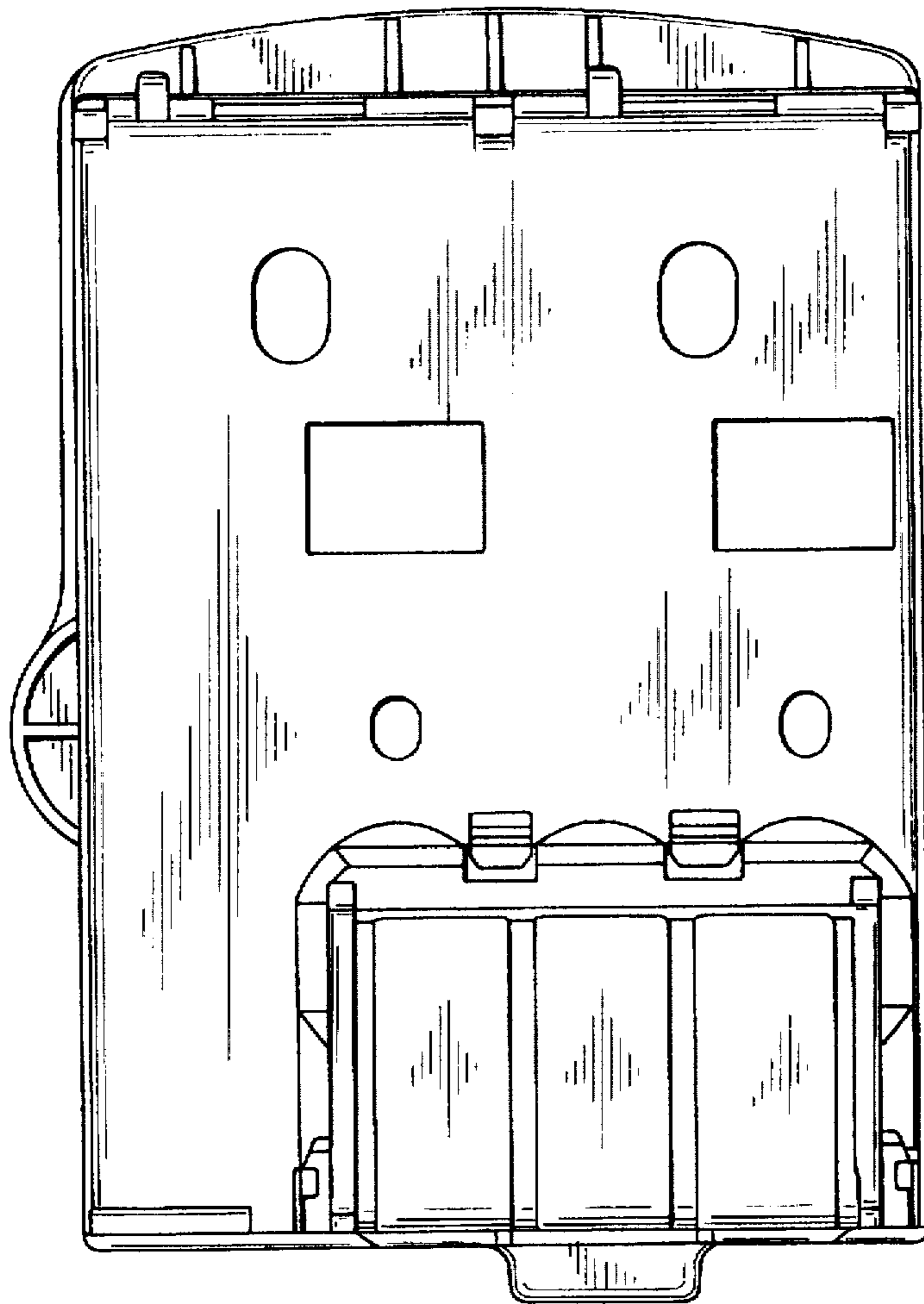
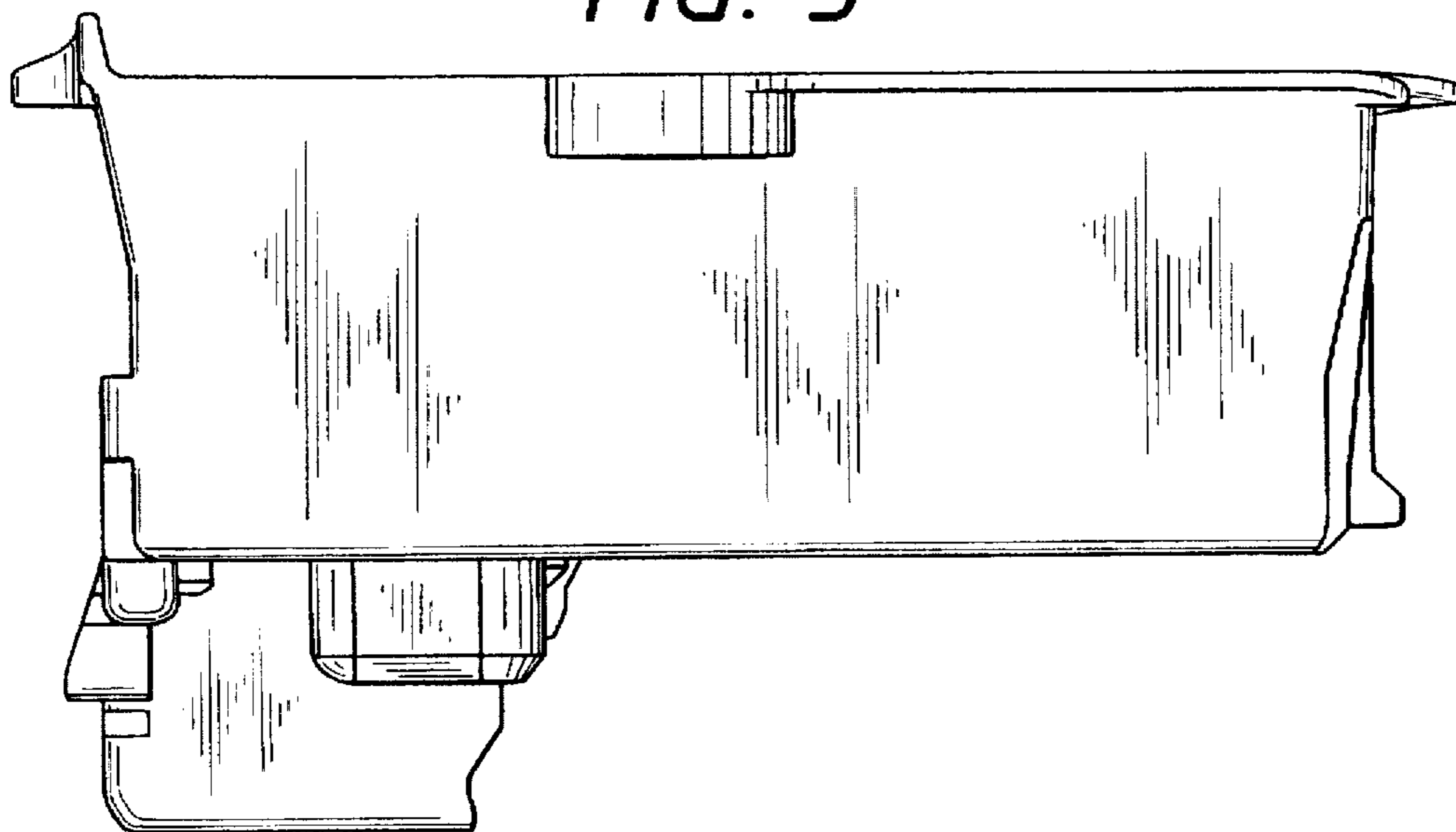


FIG. 4

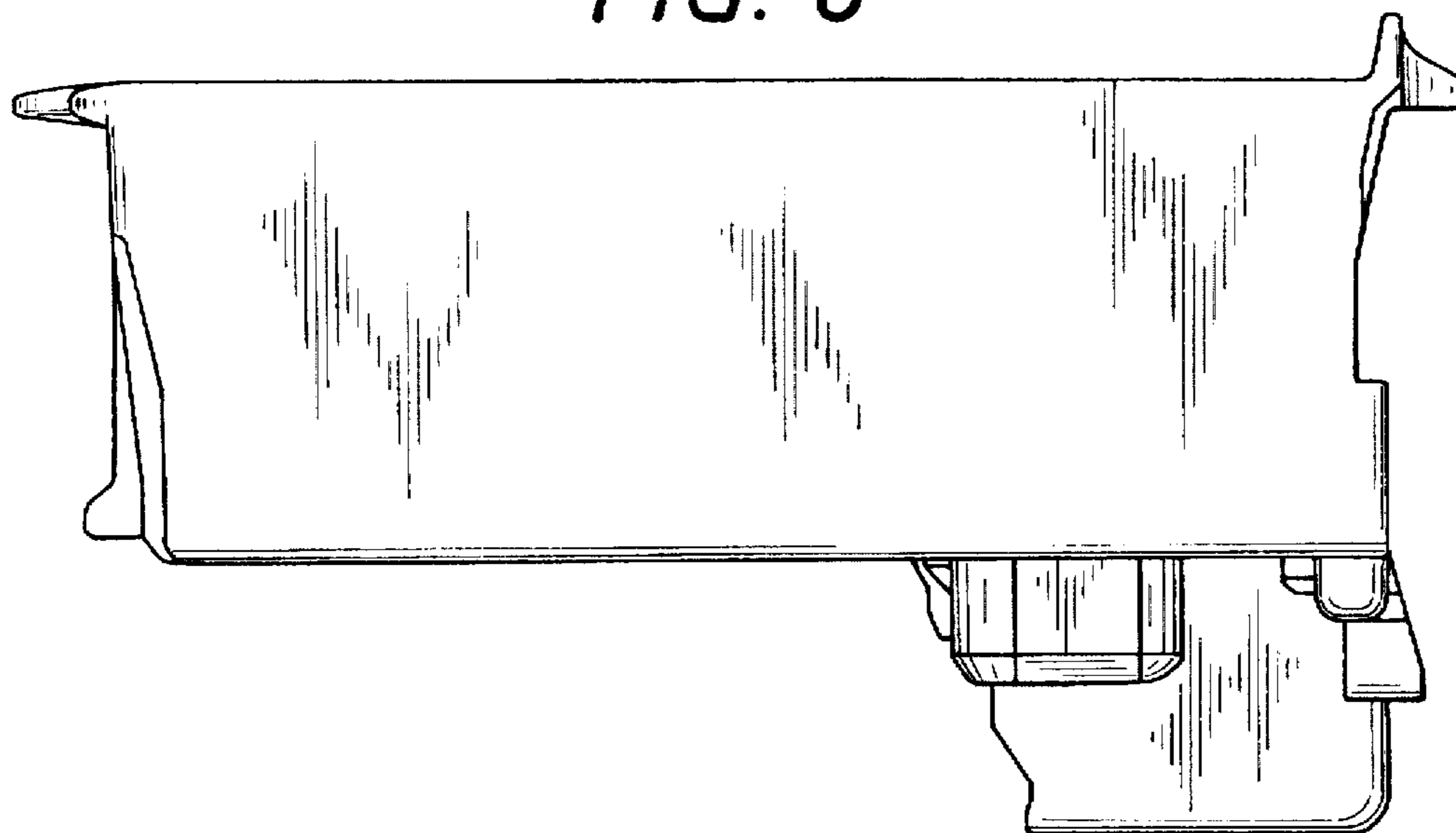




*FIG. 5*



*FIG. 6*



*FIG. 7*

