



US00D392671S

United States Patent [19]
Sasaki

[11] **Patent Number: Des. 392,671**
[45] **Date of Patent: **Mar. 24, 1998**

[54] **INK CARTRIDGE FOR INK JET PRINTER**

[75] **Inventor: Toyonori Sasaki, Anjo, Japan**
[73] **Assignee: Brother Kogyo Kabushiki Kaisha, Nagoya, Japan**

[**] **Term: 14 Years**

[21] **Appl. No.: 64,297**

[22] **Filed: Dec. 27, 1996**

Related U.S. Application Data

[62] **Division of Ser. No. 44,359, Sep. 22, 1995, Pat. No. Des. 383,488.**

[30] **Foreign Application Priority Data**

Mar. 30, 1995 [JP] Japan 7-9070

[51] **LOC (6) Cl. 18-02**

[52] **U.S. Cl. D18/56; 347/86**

[58] **Field of Search D18/56; 347/86-87**

[56] **References Cited**

U.S. PATENT DOCUMENTS

- D. 355,930 2/1995 Tokuda et al. D18/56
- D. 356,110 3/1995 Tokuda et al. D18/56
- D. 359,755 6/1995 Tokuda et al. D18/56
- D. 361,591 8/1995 Tokuda et al. D18/56

- D. 363,736 10/1995 Ujita et al. D18/56
- D. 367,884 3/1996 Taneya et al. D18/56
- D. 372,732 8/1996 Oaney et al. 347/86
- 4,920,360 4/1990 Terasawa et al. 347/87
- 5,610,644 3/1997 Timm, Jr. et al. 347/87
- 5,646,665 7/1997 Swanson et al. 347/87

FOREIGN PATENT DOCUMENTS

- 635373 1/1995 European Pat. Off. 347/86
- 639461 2/1995 European Pat. Off. 347/87
- 406115093 4/1994 Japan 347/87

Primary Examiner—Cathy Anne MacCormac
Attorney, Agent, or Firm—Oliff & Berridge PLC

[57] **CLAIM**

The ornamental design for an ink cartridge for ink jet printer, as shown and printer.

DESCRIPTION

FIG. 1 is a top plan view of an ink cartridge for ink jet printer;
FIG. 2 is a front view of the ink cartridge;
FIG. 3 is a bottom plan view of the ink cartridge;
FIG. 4 is a left side view of the ink cartridge;
FIG. 5 is a right side view of the ink cartridge;
FIG. 6 is a rear view of the ink cartridge; and,
FIG. 7 is a perspective view of the ink cartridge.

1 Claim, 2 Drawing Sheets

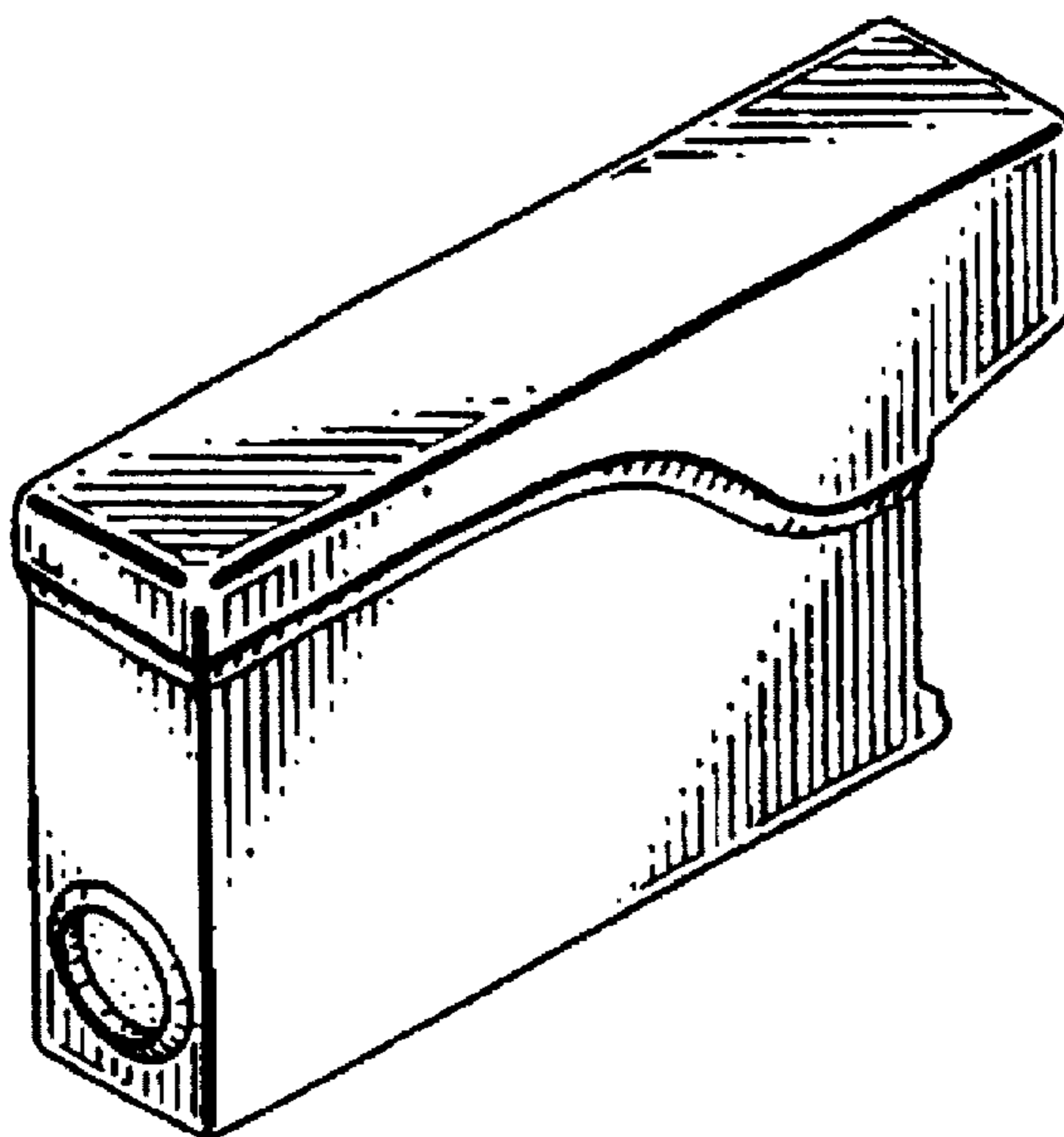


FIG. 1

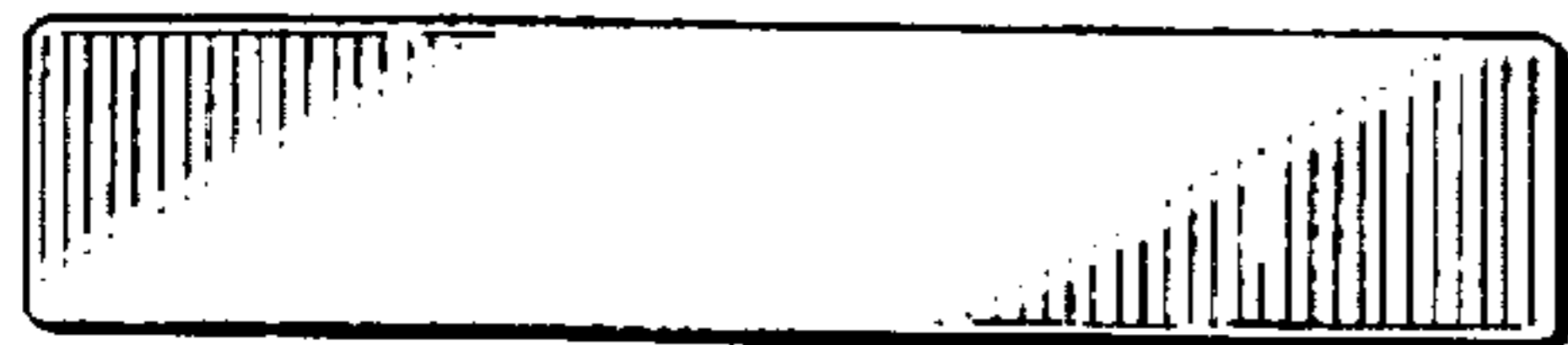


FIG. 2

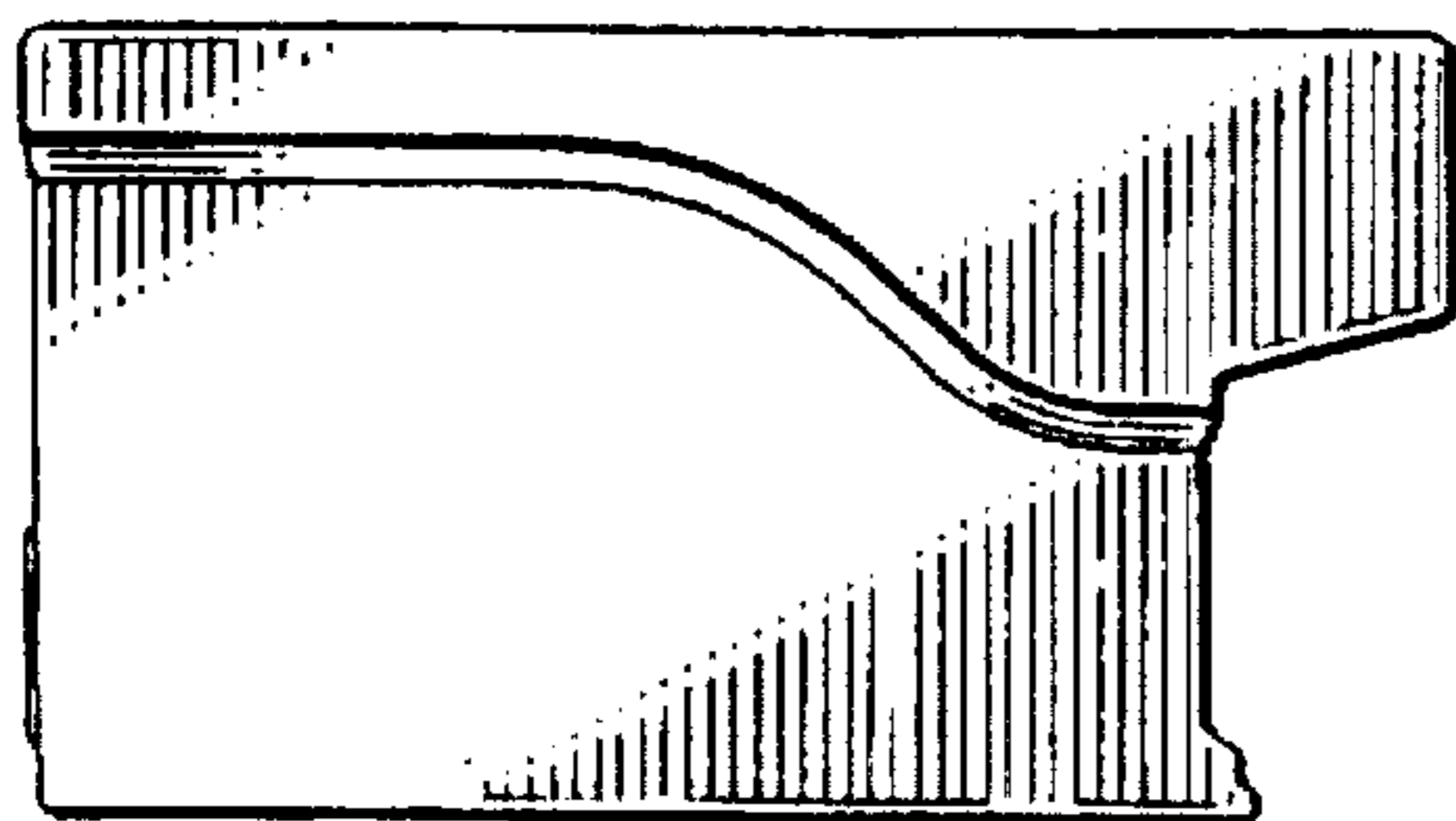


FIG. 3

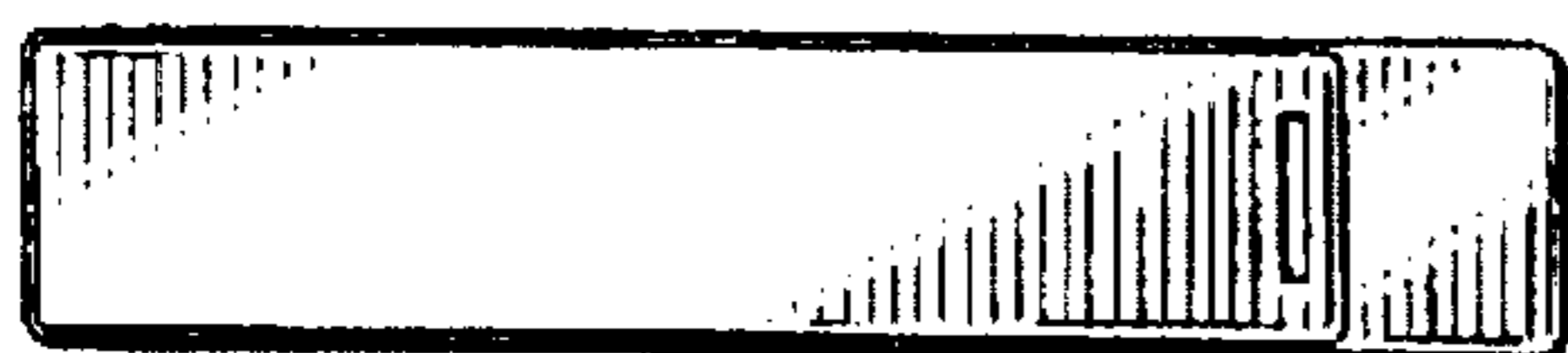


FIG. 4



FIG. 5



FIG. 6

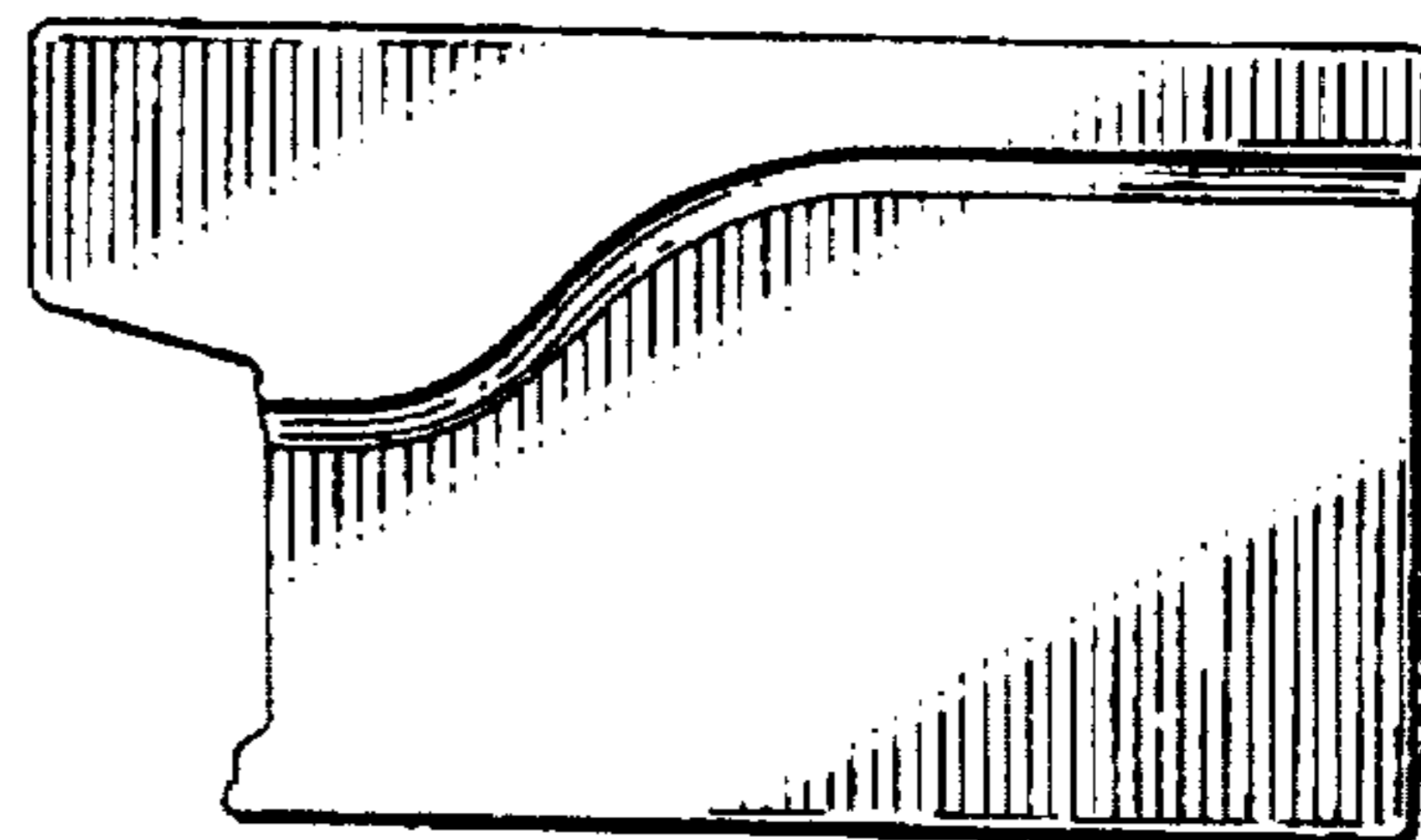


FIG. 7

