



US00D392660S

United States Patent [19]

Kim et al.

[11] Patent Number: Des. 392,660

[45] Date of Patent: **Mar. 24, 1998

[54] CAMERA

4,219,265 8/1980 Waaske 396/349

[75] Inventors: **Joo Bok Kim; Eun Ju Song**, both of Seoul, Rep. of Korea

Primary Examiner—Philip S. Hyder
Assistant Examiner—Adir Aronovich
Attorney, Agent, or Firm—Finnegan, Henderson, Farabow, Garrett & Dunner, L.L.P.

[73] Assignee: **Samsung Aerospace Industries, Ltd.**, Kyeongsangnam-do, Rep. of Korea

[57] CLAIM

[**] Term: 14 Years

The ornamental design for a camera, as shown and described.

[21] Appl. No.: 64,407

DESCRIPTION

[22] Filed: Dec. 31, 1996

[51] LOC (6) Cl. 16-01

[52] U.S. Cl. D16/209; D16/212

[58] Field of Search D16/200-205, D16/208, 209, 211, 213, 216-218; 396/348, 349, 535-543

FIG. 1 is a front elevational view of the design for a camera; FIG. 2 is a rear elevational view of the design of FIG. 1; FIG. 3 is a top plan view of the design of FIG. 1; FIG. 4 is a bottom plan view of the design of FIG. 1; and FIG. 5 is a left side elevational view of the design of FIG. 1; FIG. 6 is a right side elevational view of the design of FIG. 1; FIG. 7 is a top, front and left side perspective view of the design of FIG. 1; and, FIG. 8 is a top, front and left side perspective view illustrating a lens cap in a closed state of the camera of the present design.

[56] References Cited

U.S. PATENT DOCUMENTS

| | | | | |
|------------|---------|------------------|-------|---------|
| D. 305,770 | 1/1990 | Akabane | | D16/209 |
| D. 323,336 | 1/1992 | Moro et al. | | D16/209 |
| D. 323,337 | 1/1992 | Moro et al. | | D16/209 |
| D. 352,518 | 11/1994 | Fukushima et al. | | D16/209 |
| D. 377,363 | 1/1997 | Isozaki et al. | | D16/209 |

1 Claim, 5 Drawing Sheets

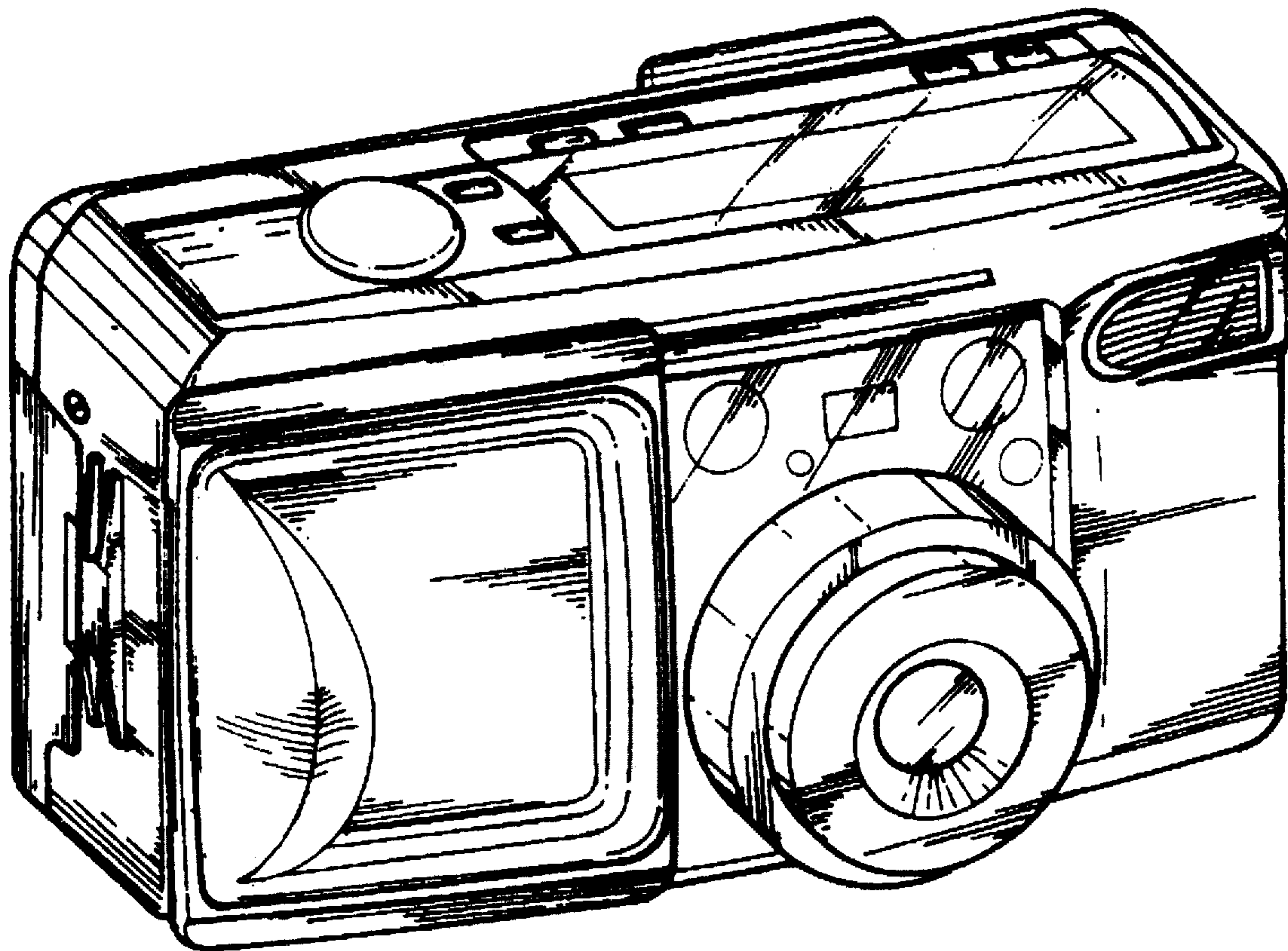


FIG. 1

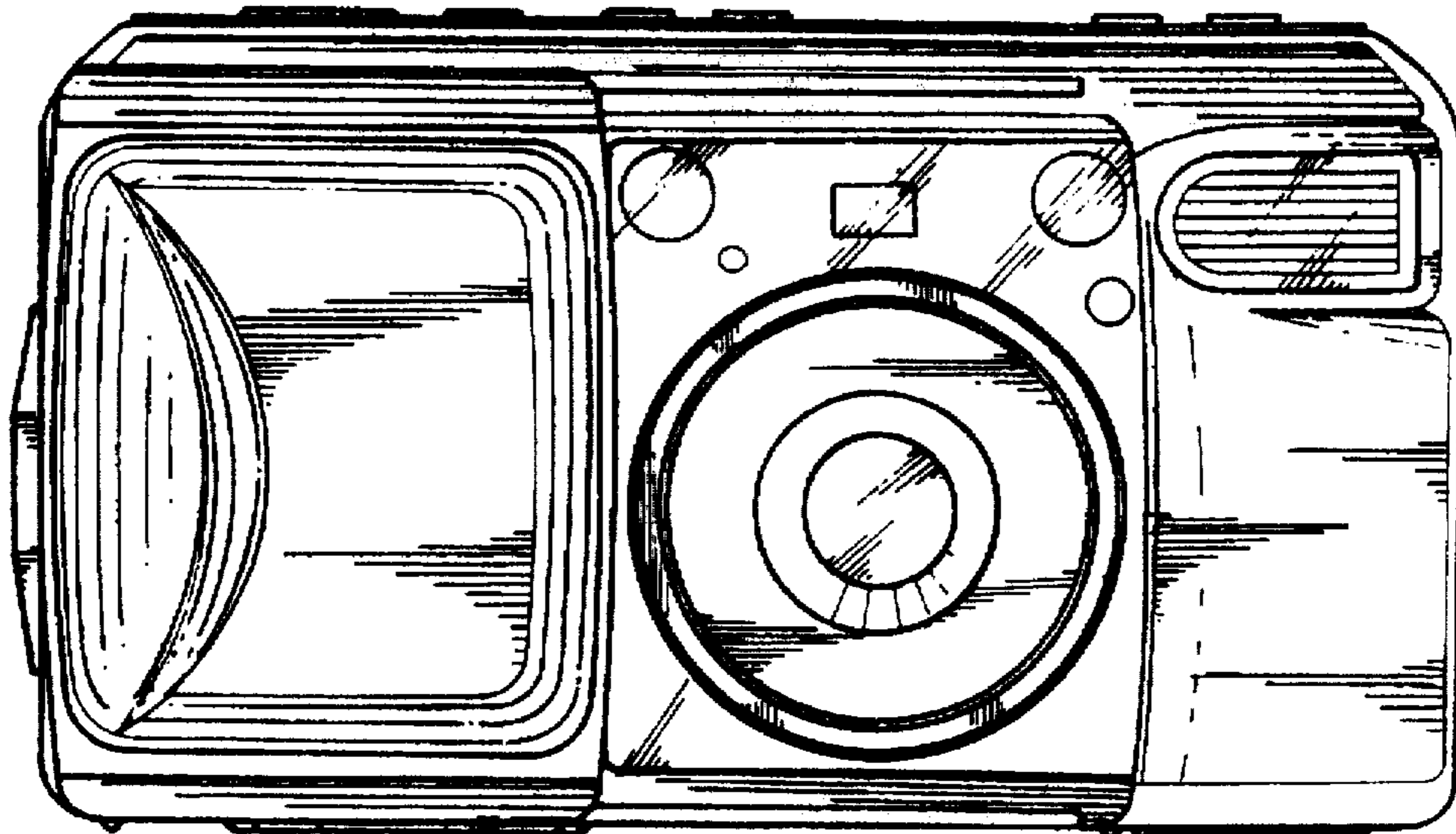


FIG. 2

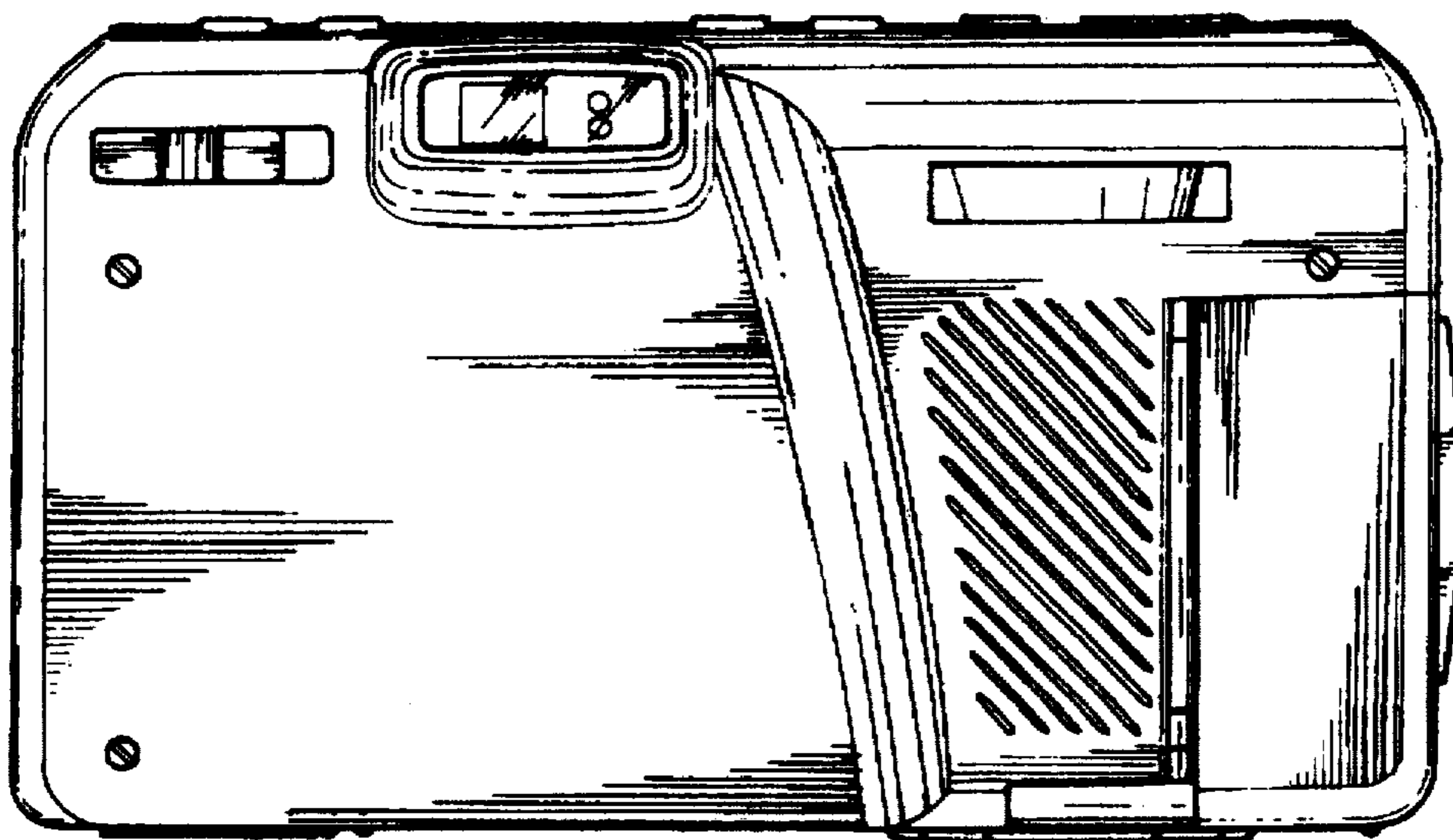


FIG. 3

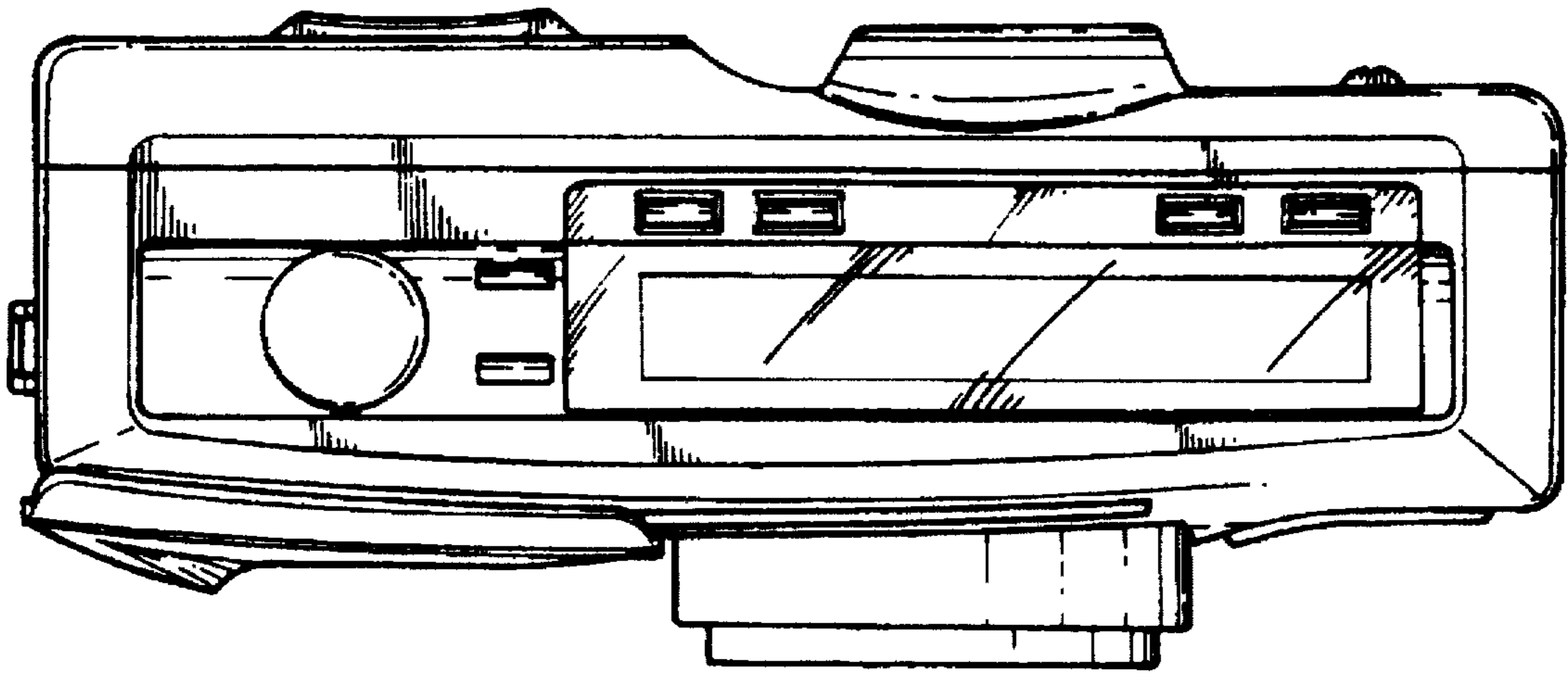


FIG. 4

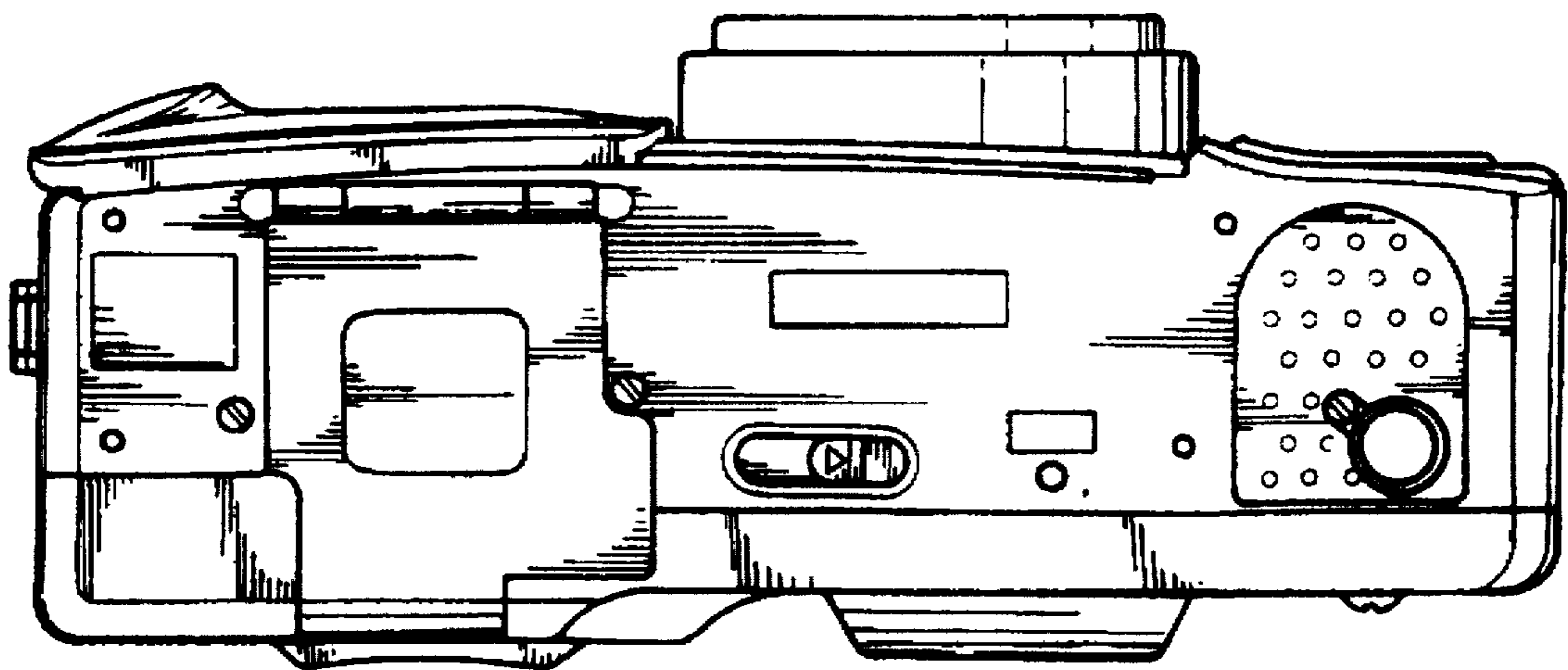


FIG. 5

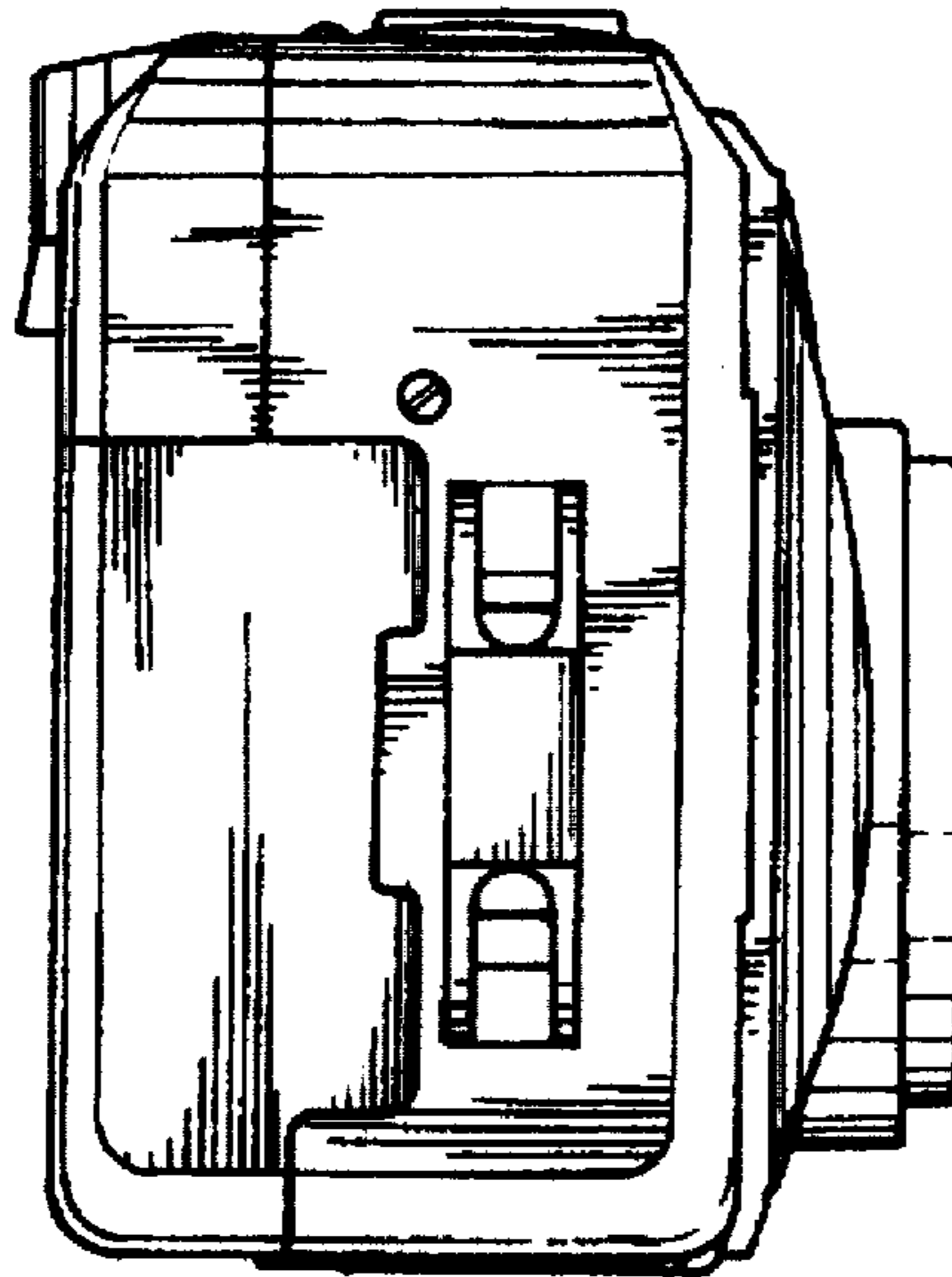


FIG. 6

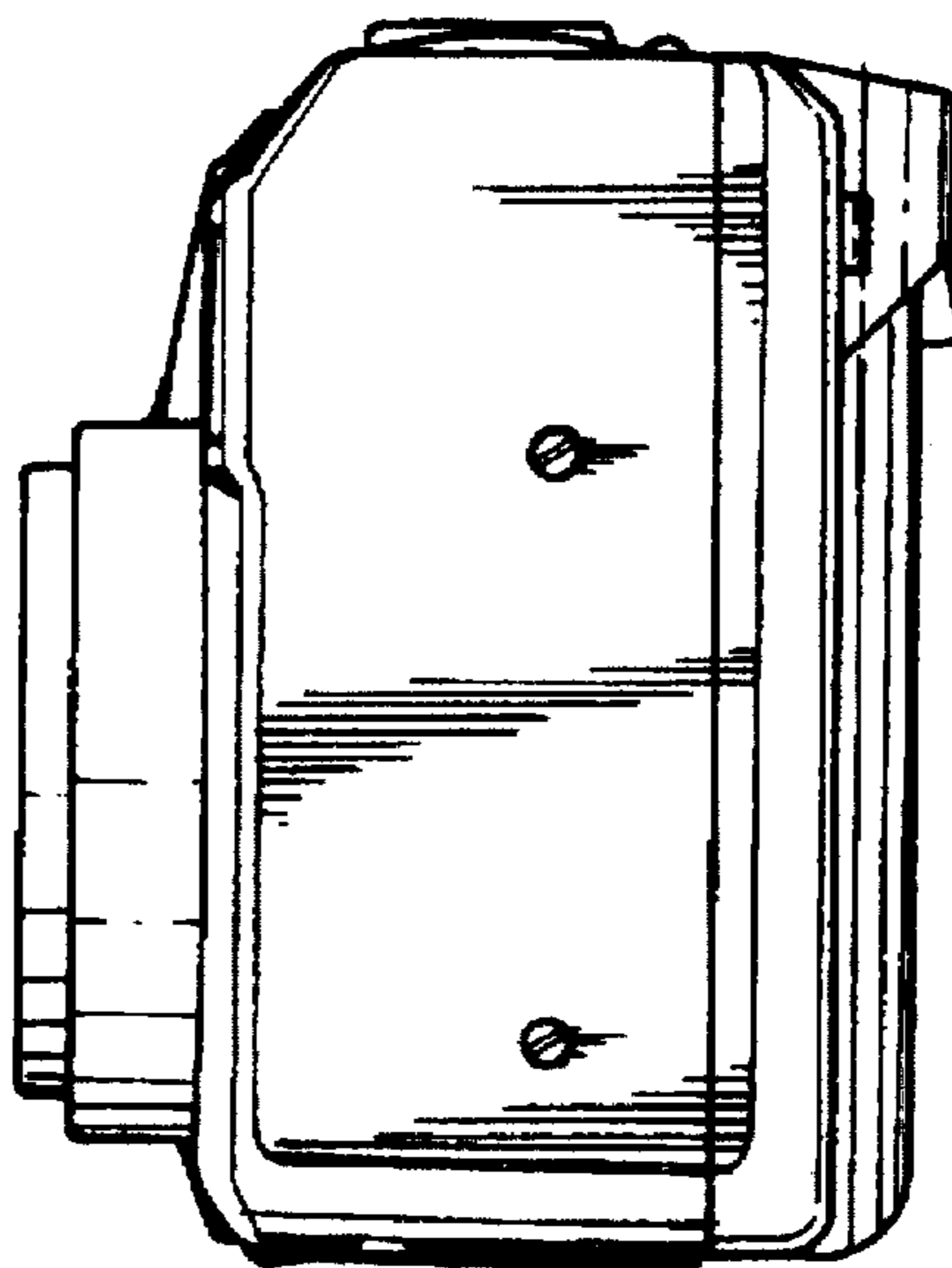


FIG. 7

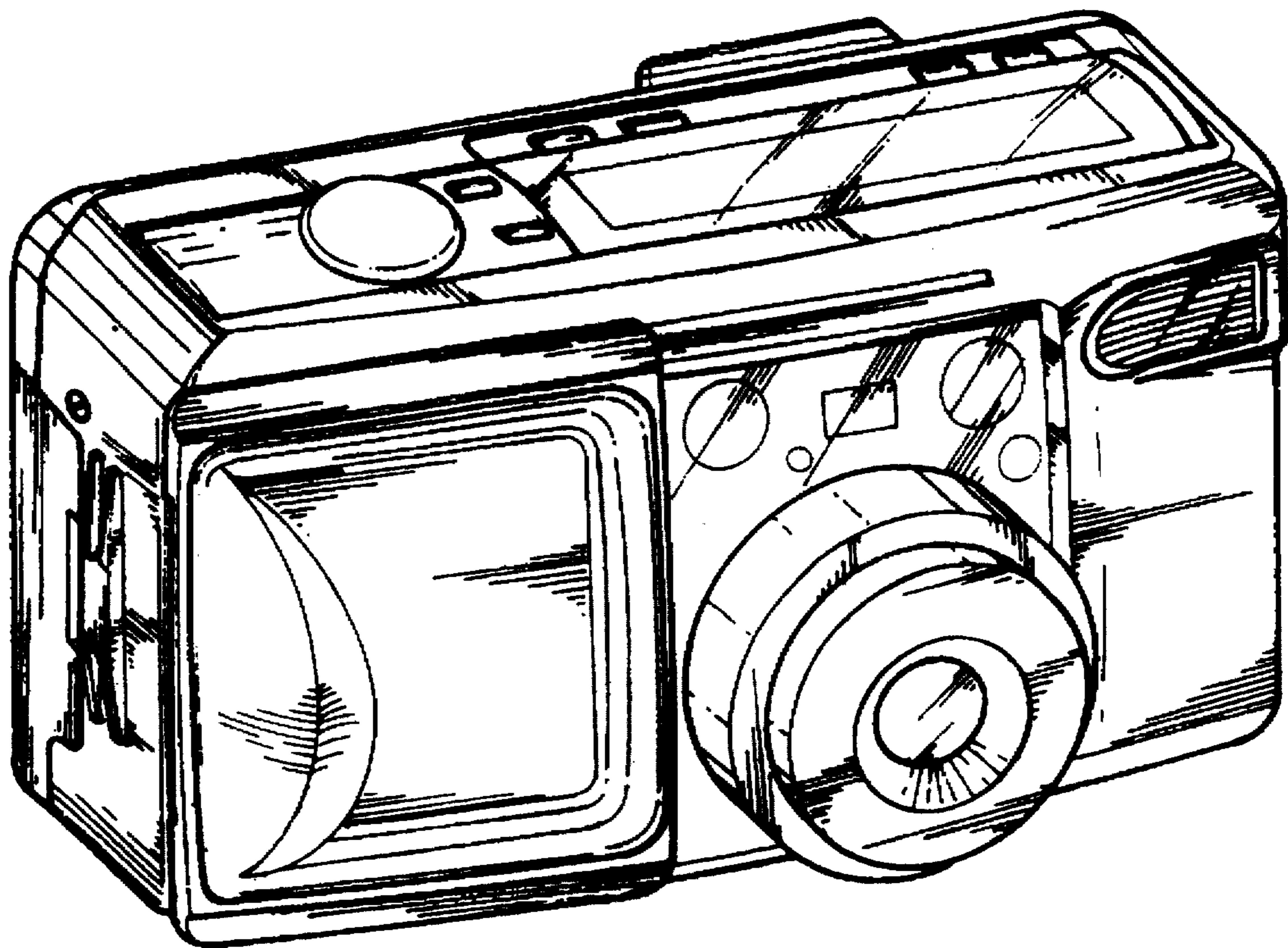


FIG. 8

