



US00D392657S

United States Patent [19]

Diebel et al.

[11] Patent Number: **Des. 392,657**

[45] Date of Patent: ****Mar. 24, 1998**

[54] **TELESCOPE**

[75] Inventors: **John C. Diebel; Jeffrey R. Buss**, both of Newport Beach; **Clair A. Samhammer**, Orange, all of Calif.

[73] Assignee: **Meade Instruments Corporation**, Irvine, Calif.

[**] Term: **14 Years**

[21] Appl. No.: **64,480**

[22] Filed: **Jan. 2, 1997**

[51] LOC (6) Cl. **16-06**

[52] U.S. Cl. **D16/132**

[58] Field of Search **D16/132; 359/363, 359/364, 430, 399**

[56] **References Cited**

U.S. PATENT DOCUMENTS

D. 175,388	1/1955	Braymer	D16/132
D. 199,371	10/1964	Kraus	D16/132
D. 253,113	10/1979	Bressler	D16/132
D. 253,476	11/1979	Schneck et al.	D16/132
D. 268,768	4/1983	Melsheimer et al.	D16/132

D. 275,496	9/1984	Condon	D16/132
2,948,189	8/1960	Fischer	359/363
3,942,865	3/1976	Rand	359/430
5,121,220	6/1992	Nakamoto	359/419

Primary Examiner—Paula A. Mortimer
Attorney, Agent, or Firm—Christie, Parker & Hale, LLP

[57] **CLAIM**

The ornamental design for a telescope, as shown and described.

DESCRIPTION

FIG. 1 is a rear perspective view of a telescope showing our new design;
FIG. 2 is a side elevational view of the right side thereof;
FIG. 3 is a front elevational view thereof;
FIG. 4 is a side elevational view of the left side thereof;
FIG. 5 is a rear elevational view thereof; and,
FIG. 6 is a top plan view of the telescope oriented as in FIG. 2.

The broken line showing of the supports in FIG. 1 is for illustrative purposes only and forms no part of the claimed design.

1 Claim, 6 Drawing Sheets

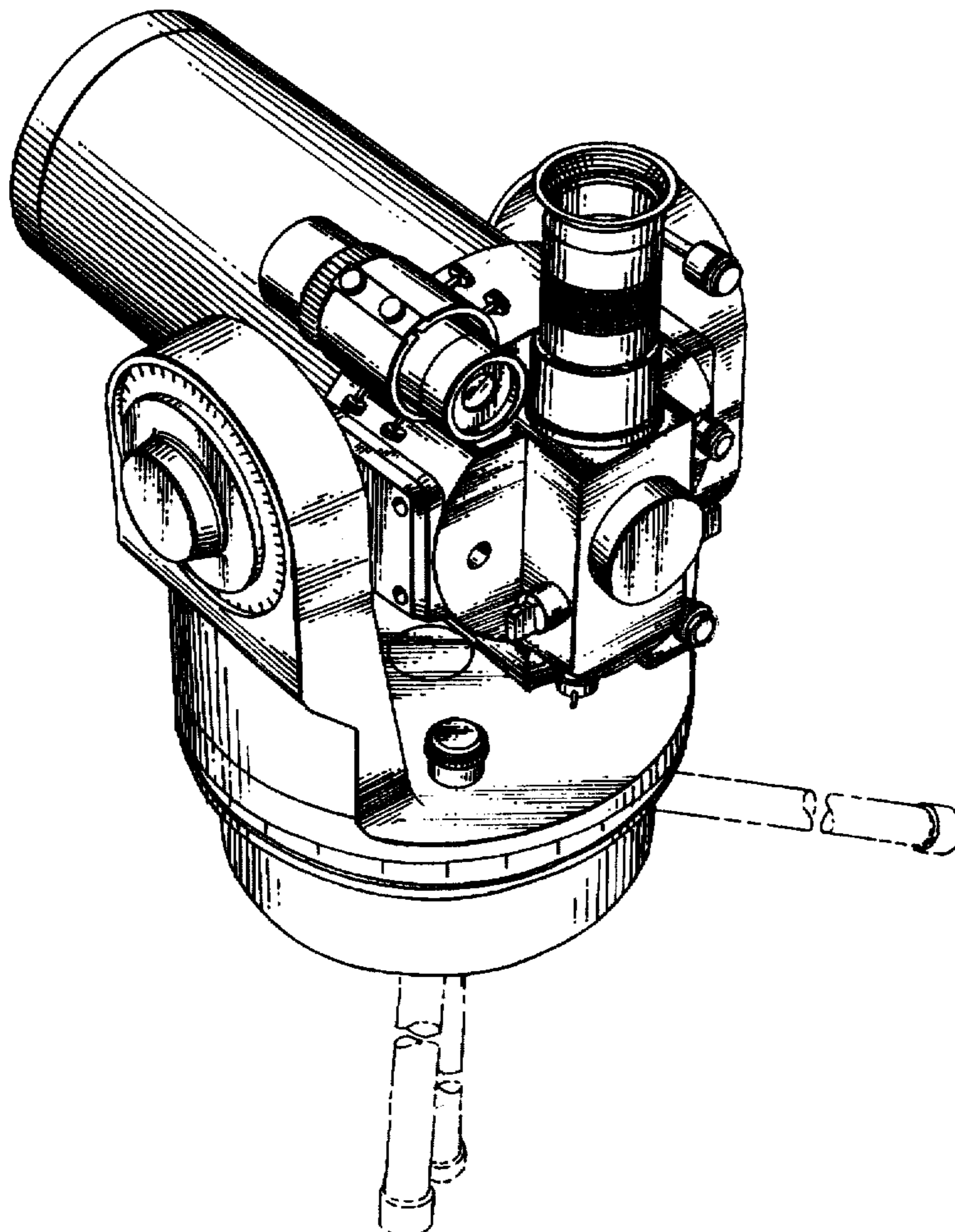


Fig. 1

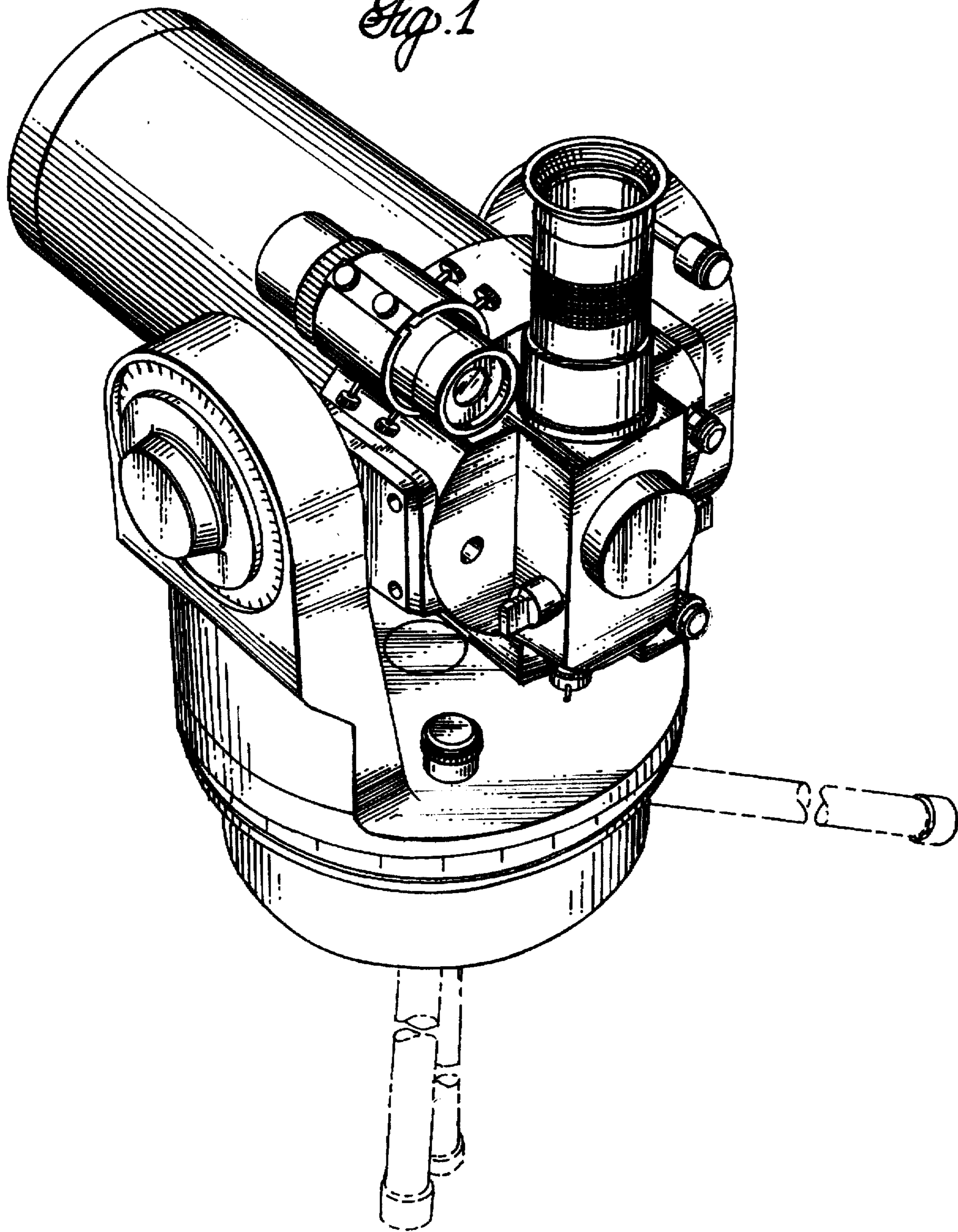


FIG. 2

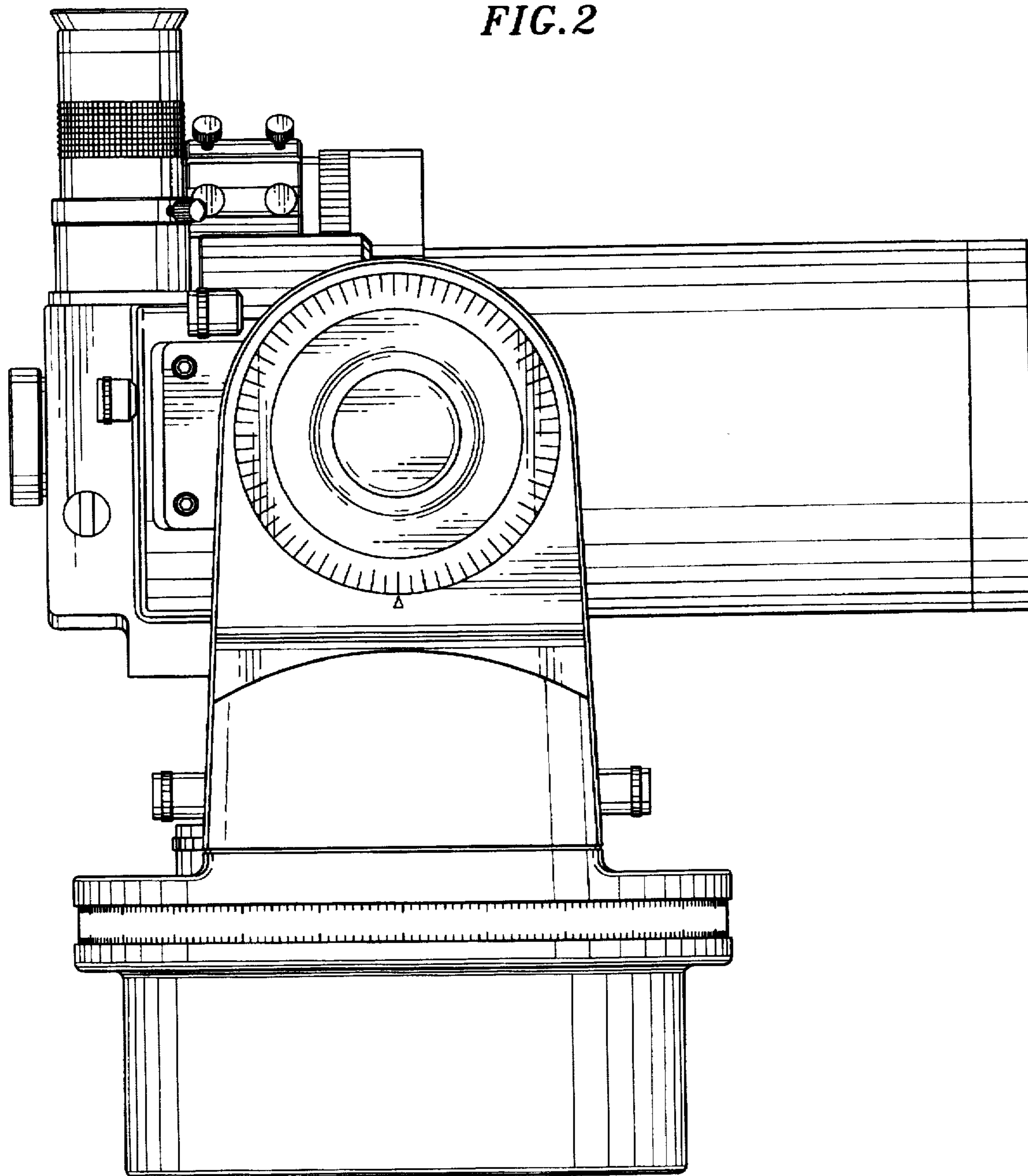


FIG. 3

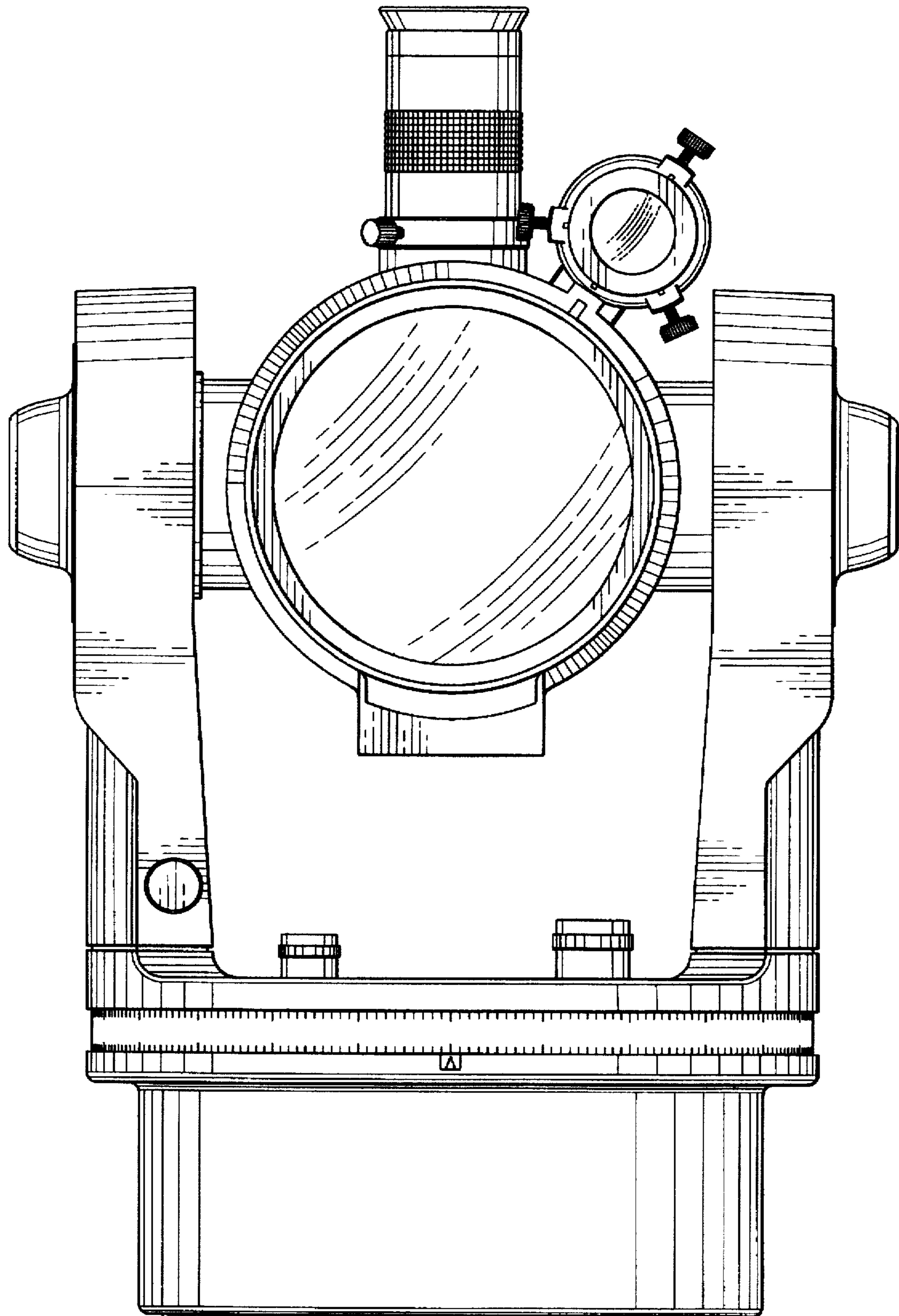


FIG. 4

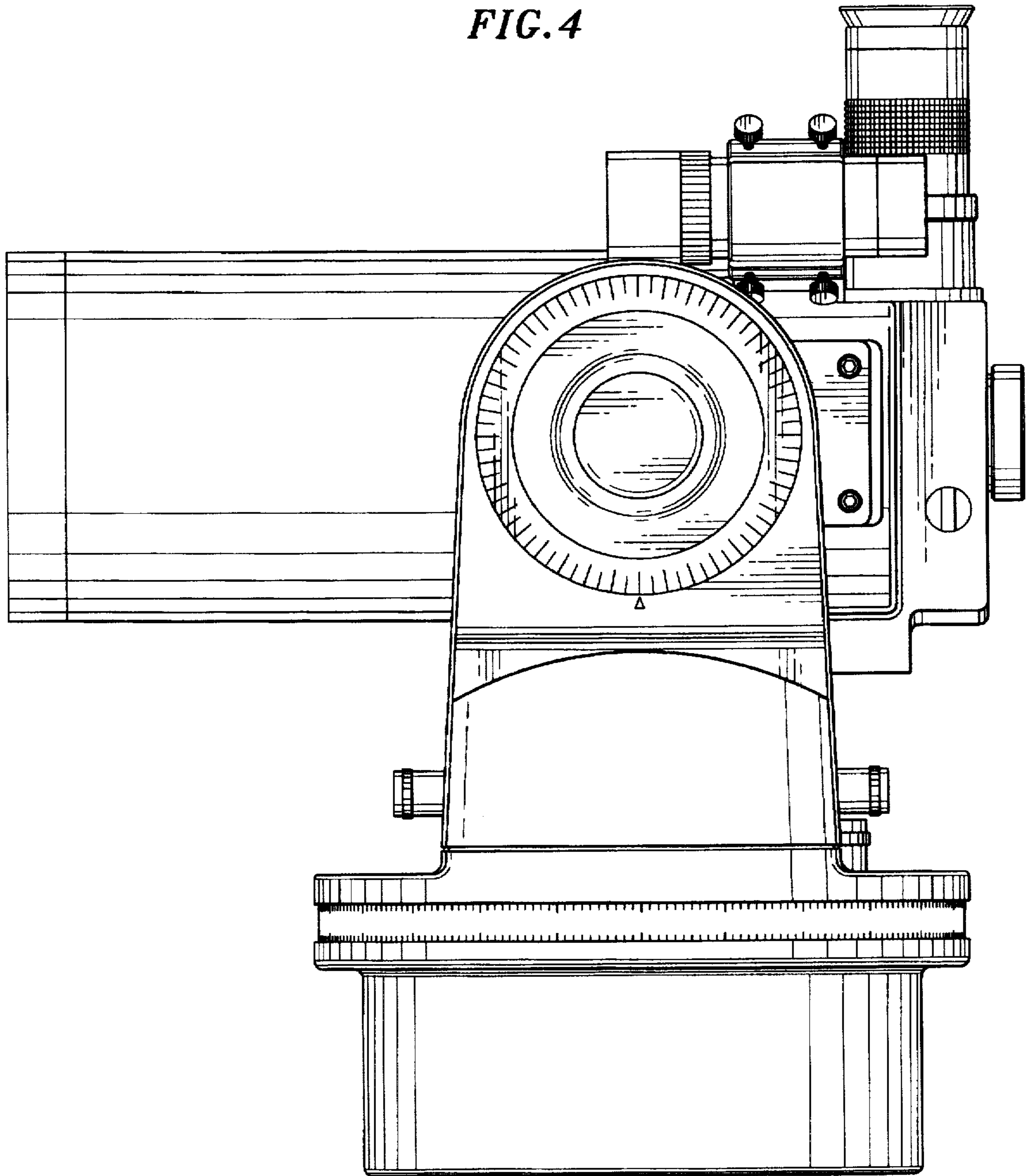


FIG. 5

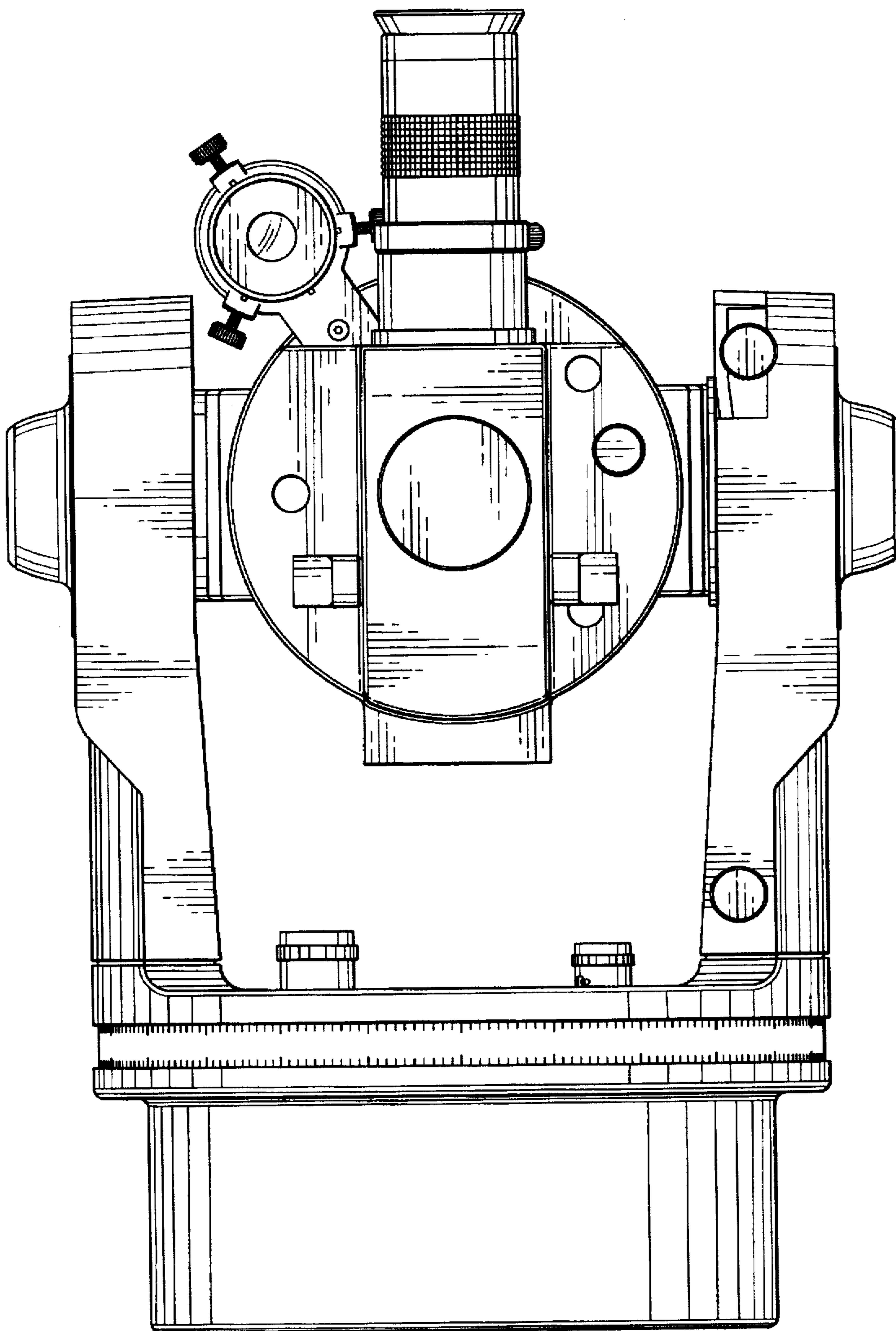


FIG. 6

