



US00D392653S

United States Patent [19]
Lin

[11] **Patent Number: Des. 392,653**

[45] **Date of Patent: **Mar. 24, 1998**

[54] **CASING FOR RECEIVING A TRANSMITTING MECHANISM OF A DRILL MACHINE THEREIN**

Primary Examiner—Antoine Duval Davis
Attorney, Agent, or Firm—Morton J. Rosenberg; David I. Klein; Jun Y. Lee

[76] **Inventor: Bing Fu Lin**, No. 27, Alley 2, Lane 14, Chen Shing Road, Taiping City, Taichung Hsien, Taiwan

[57] **CLAIM**

The ornamental design for a casing for receiving a transmitting mechanism of a drill machine therein, as shown and described.

[**] **Term: 14 Years**

DESCRIPTION

[21] **Appl. No.: 61,351**

FIG. 1 is a front-right-top perspective view of a casing for receiving a transmitting mechanism of a drill machine therein, showing my new design;
FIG. 2 is a front elevational view thereof;
FIG. 3 is a rear elevational view thereof;
FIG. 4 is a left elevational view thereof; and
FIG. 5 is a right elevational view thereof;
FIG. 6 is a top plan view thereof; and
FIG. 7 is a bottom plane view thereof; and
FIG. 8 is a perspective view thereof; with a drill machine shown in broken lines for illustrative purpose only and forms no part of the claim.

[22] **Filed: Oct. 22, 1996**

[51] **LOC (6) Cl. 15-09**

[52] **U.S. Cl. D15/140; D15/132**

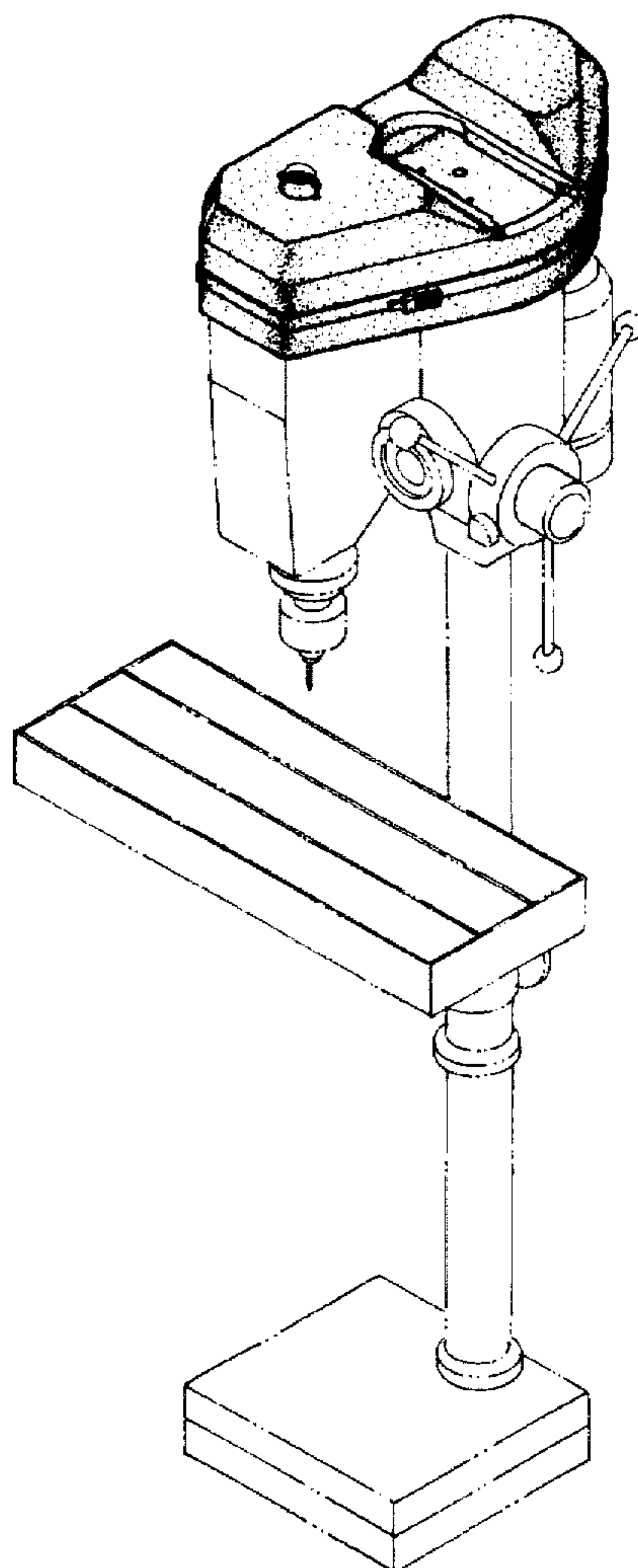
[58] **Field of Search D15/140, 132; 29/26 A, 33 R, 33 K, 35; 408/14, 141, 202, 241 S, 112, 113, 35, 87, 90, 135, 234, 235, 236**

[56] **References Cited**

U.S. PATENT DOCUMENTS

- D. 218,574 9/1970 Moseley D15/132
- D. 331,246 11/1992 Chen D15/132

1 Claim, 4 Drawing Sheets



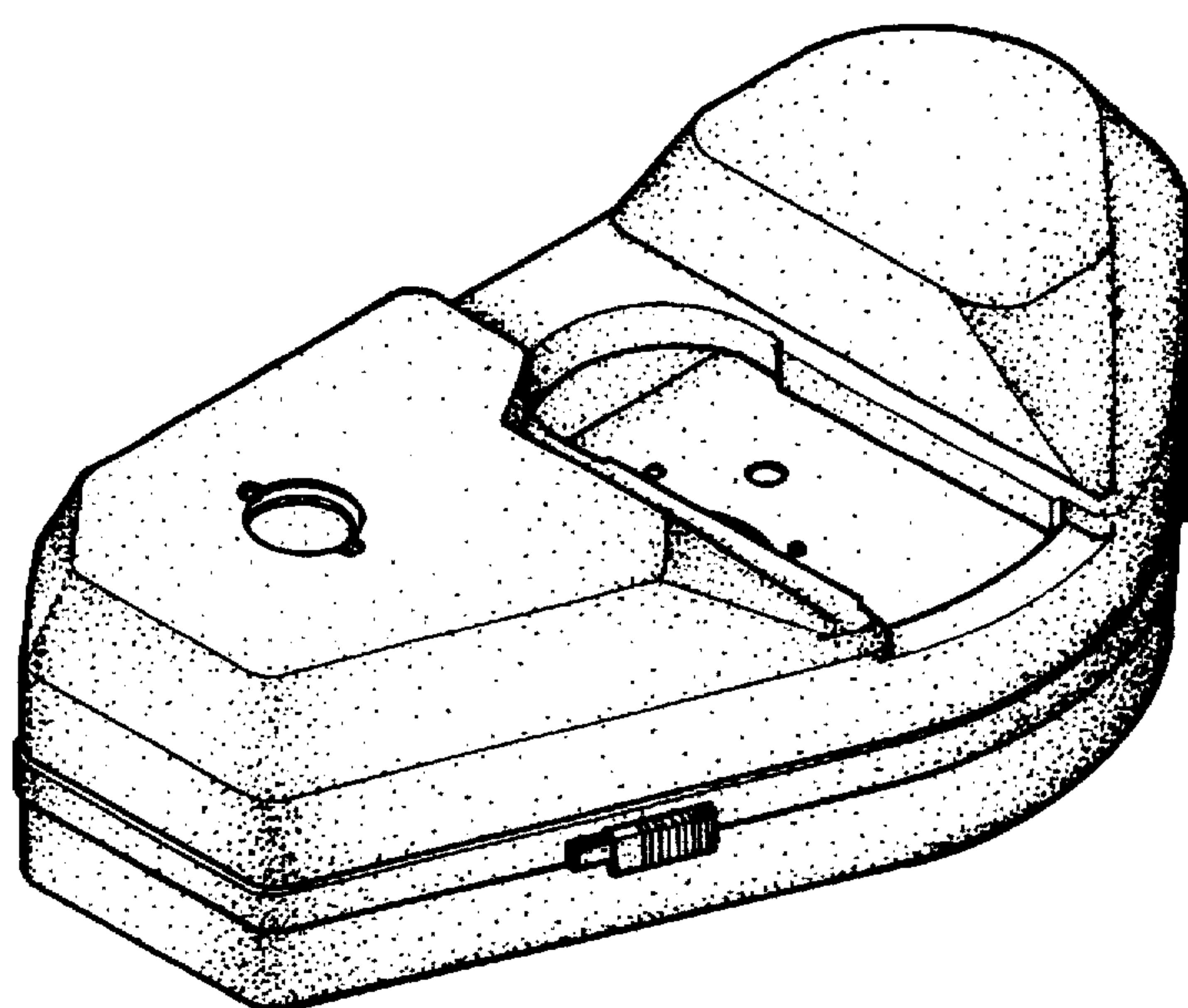


FIG. 1



FIG. 2

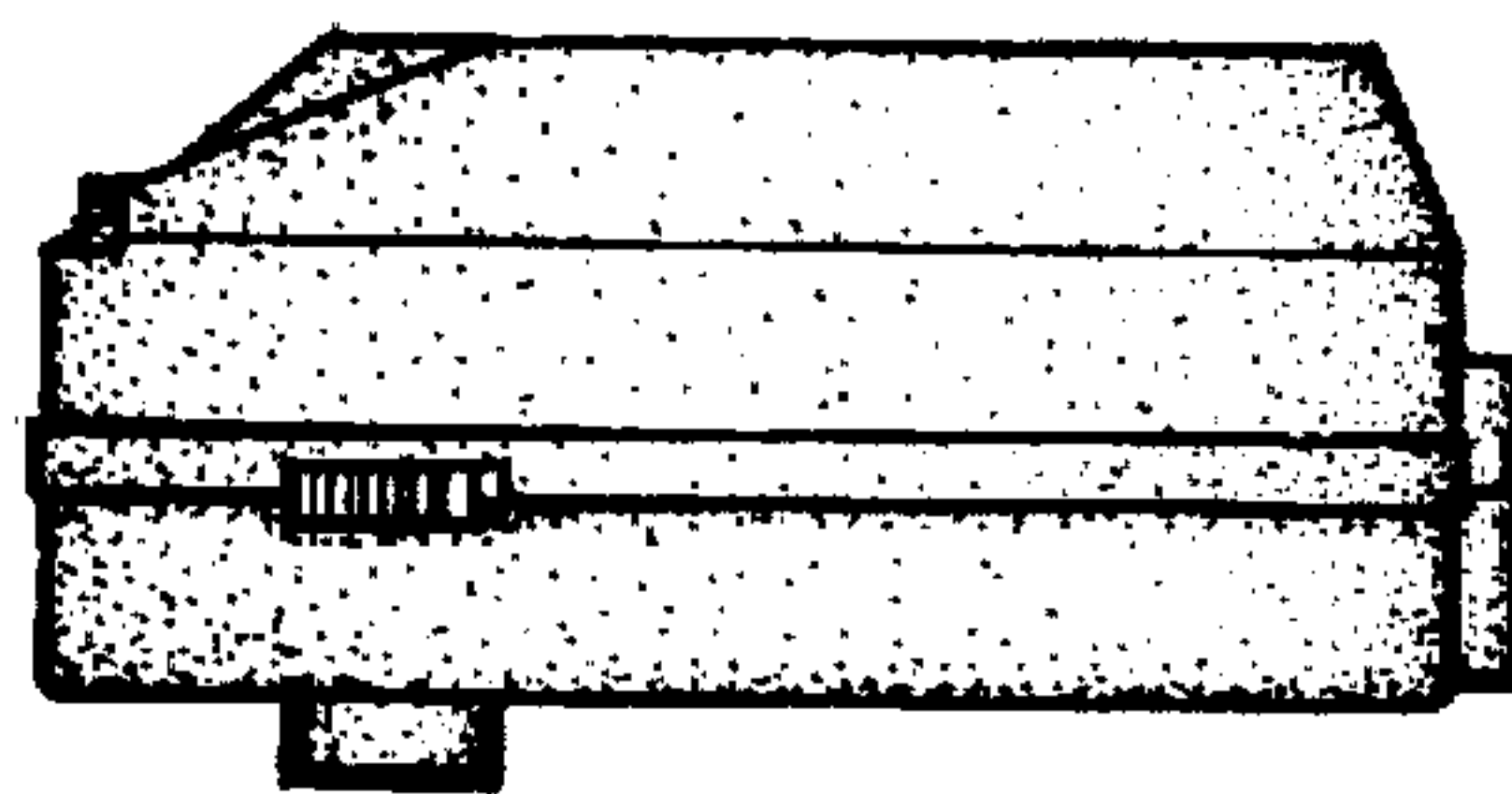


FIG. 3

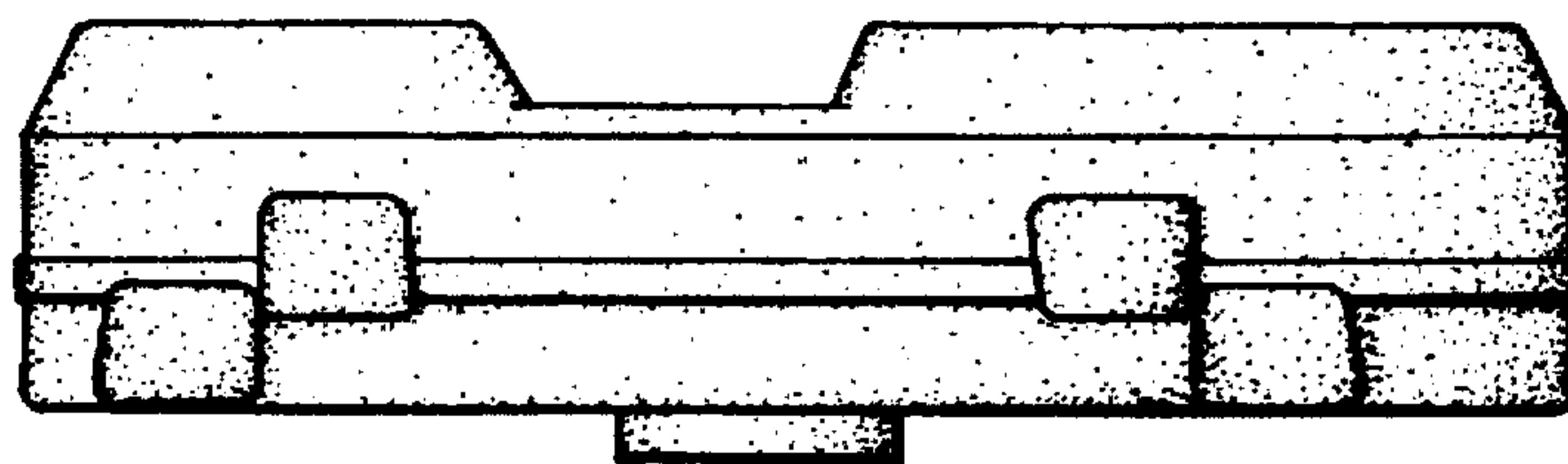


FIG. 4

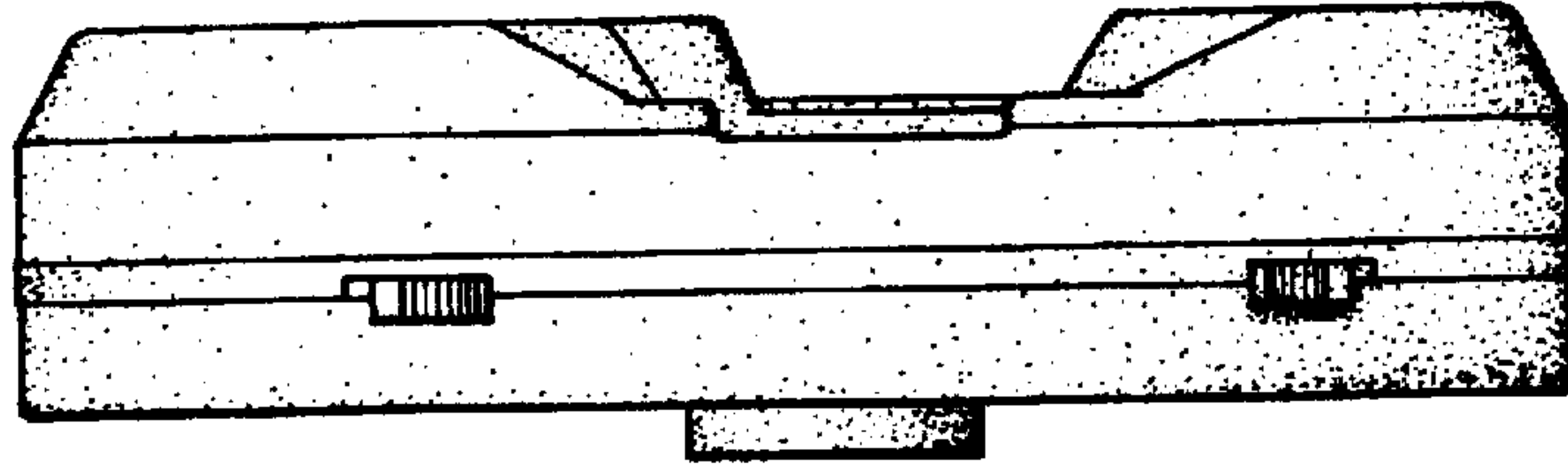


FIG. 5

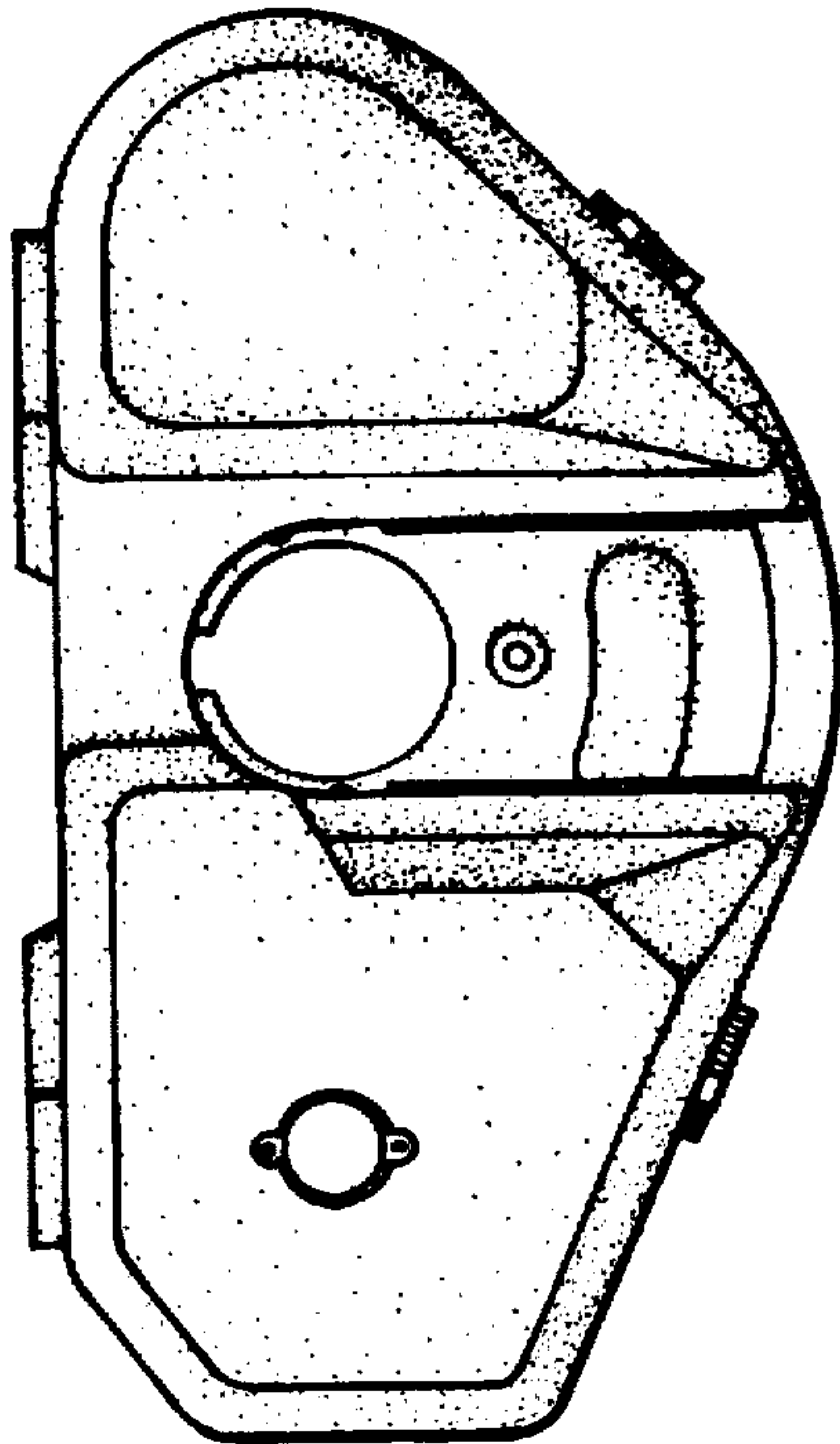


FIG. 6

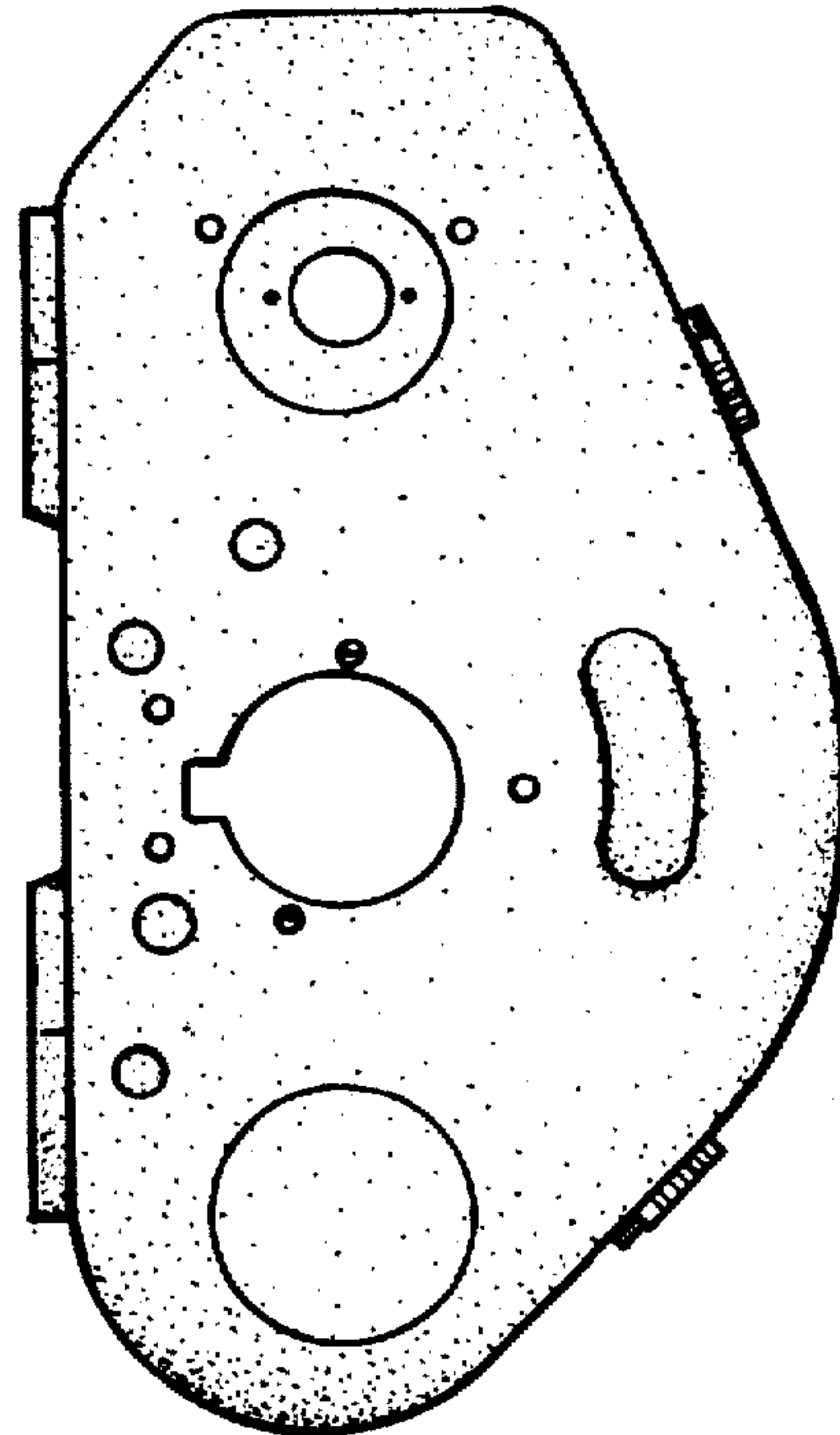


FIG. 7

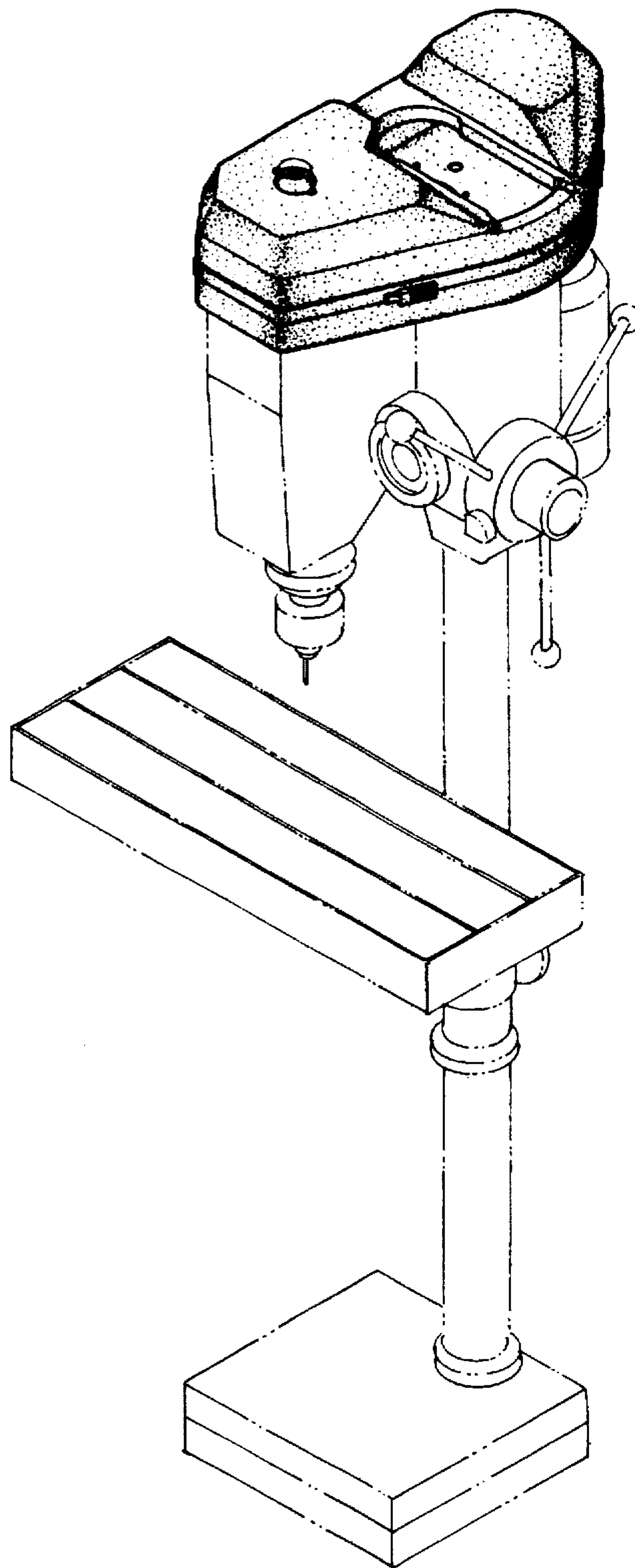


FIG. 8