



US00D392652S

United States Patent [19]

[11] Patent Number: Des. 392,652

Takada et al.

[45] Date of Patent: **Mar. 24, 1998

[54] SEWING MACHINE

D. 321,890 11/1991 Kuroki D15/70
D. 347,847 6/1994 Eguchi D15/69

[75] Inventors: Sanae Takada; Tetsuo Ueyama, both of Chofu, Japan

Primary Examiner—Sandra L. Morris
Attorney, Agent, or Firm—Morgan & Finnegan LLP

[73] Assignee: Juki Corporation, Chofu, Japan

[57] CLAIM

[**] Term: 14 Years

The ornamental design for a sewing machine, as shown and described.

[21] Appl. No.: 62,051

DESCRIPTION

[22] Filed: Nov. 6, 1996

FIG. 1 is a perspective view of a sewing machine showing our new design wherein the support plate is in a closed position;

[30] Foreign Application Priority Data

May 7, 1996 [JP] Japan 8-13099

FIG. 2 is a front view thereof;

[51] LOC (6) Cl. 15-06

FIG. 3 is a top view thereof;

[52] U.S. Cl. D15/70

FIG. 4 is a bottom view thereof;

[58] Field of Search D15/66-70, 72;
112/217.1-217.4, 256-261

FIG. 5 is a right side view thereof;

FIG. 6 is a left side view thereof;

FIG. 7 is a rear view thereof; and,

FIG. 8 is a perspective view of a sewing machine showing our new design wherein the support plate is in an open position.

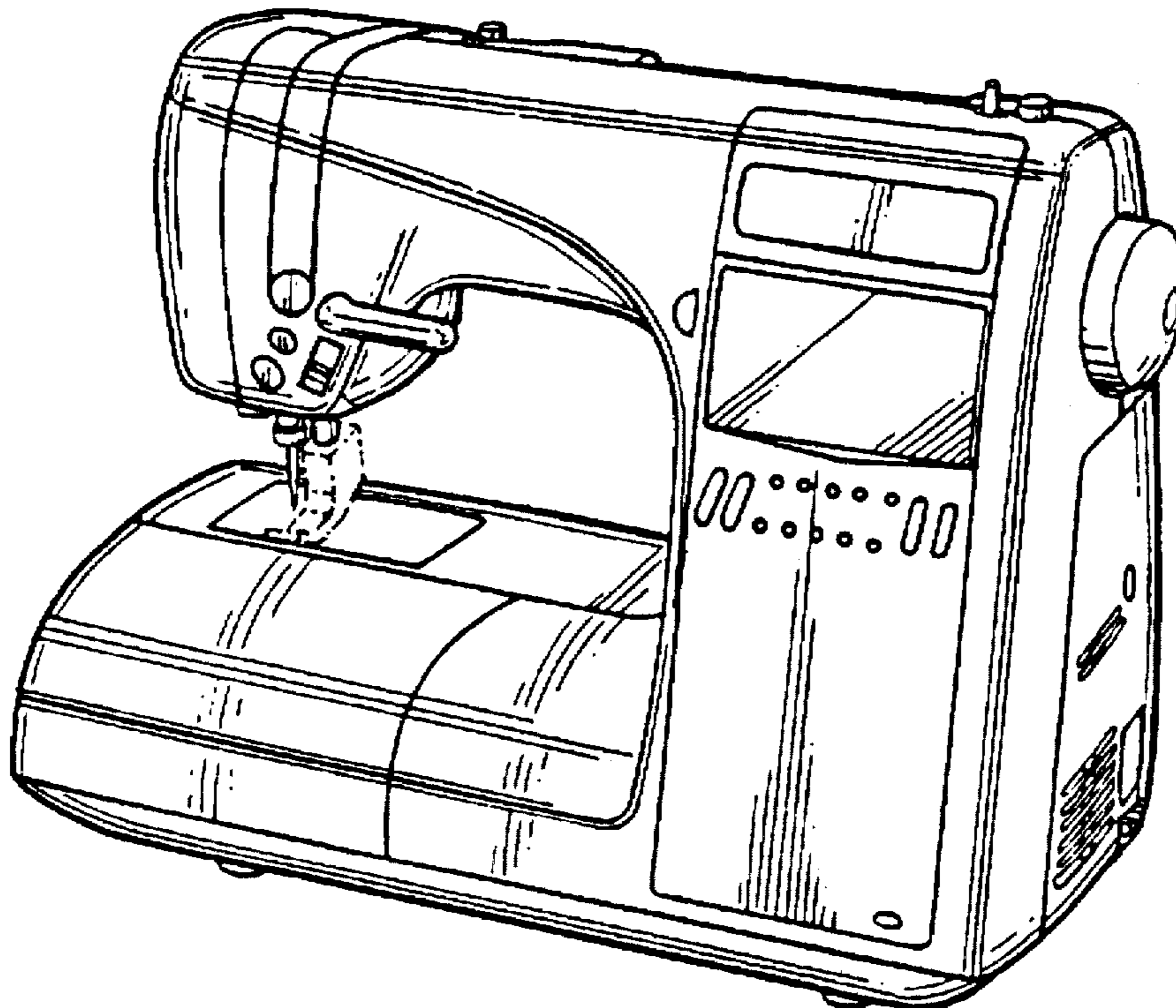
[56] References Cited

U.S. PATENT DOCUMENTS

D. 278,438 4/1985 Giugiaro D15/70
D. 285,571 9/1986 Eguchi et al. D15/69
D. 307,025 4/1990 Kuroki D15/70
D. 321,353 11/1991 Eguchi et al. D15/69

The subject matter shown in dashed lines illustrates the environment of the subject matter of the present invention, and forms no part of the claimed design.

1 Claim, 3 Drawing Sheets



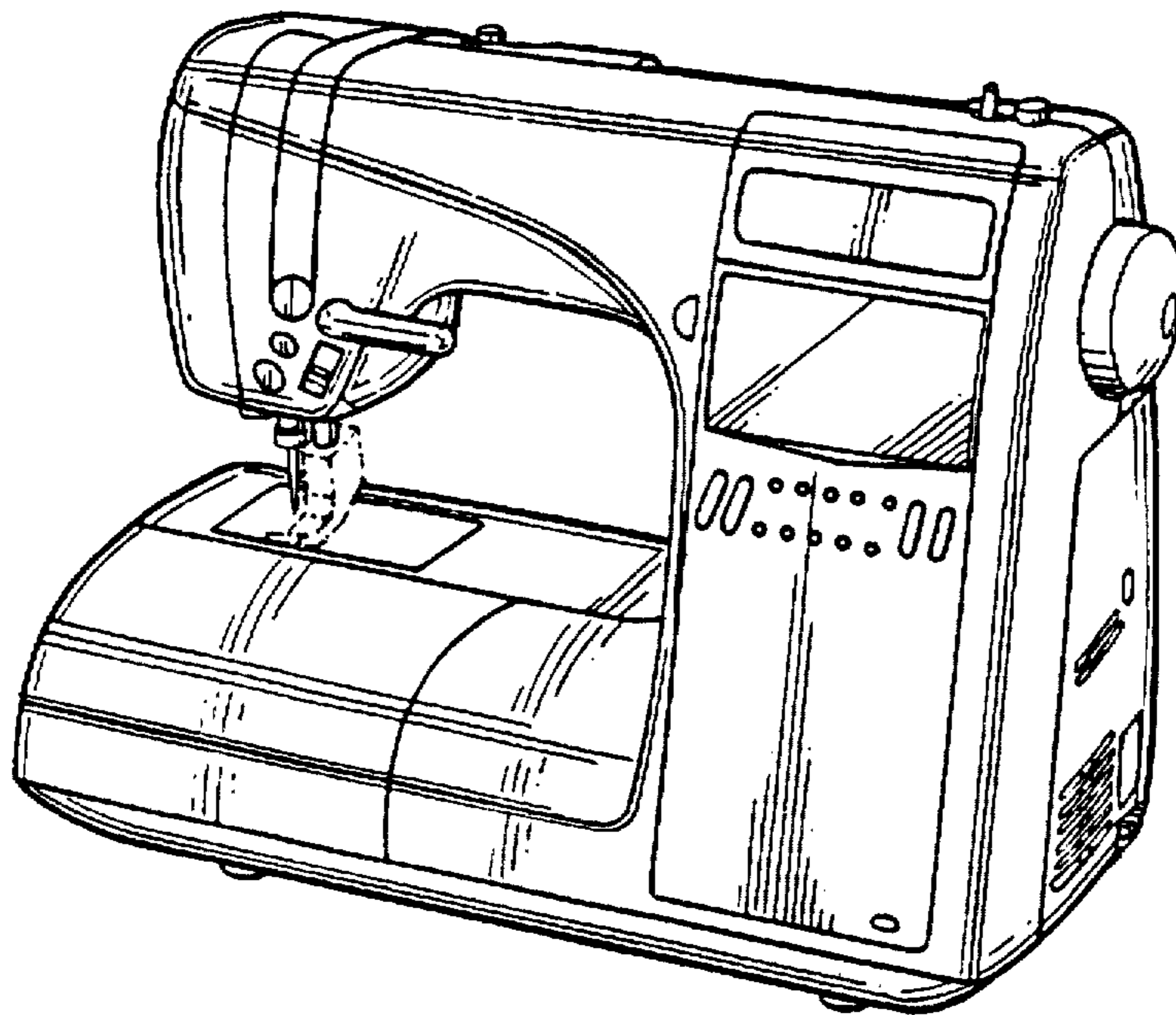


Fig. 1

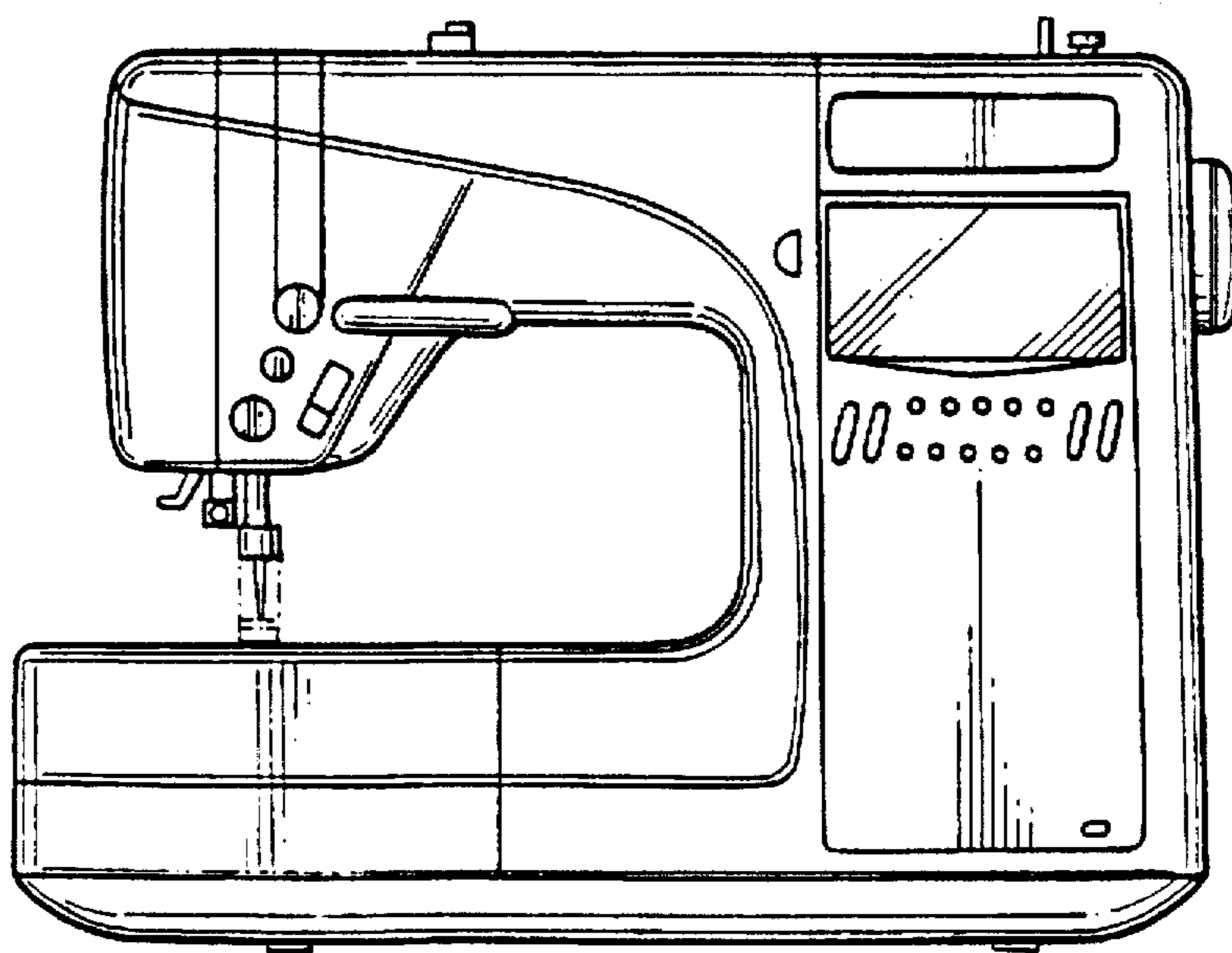


Fig. 2

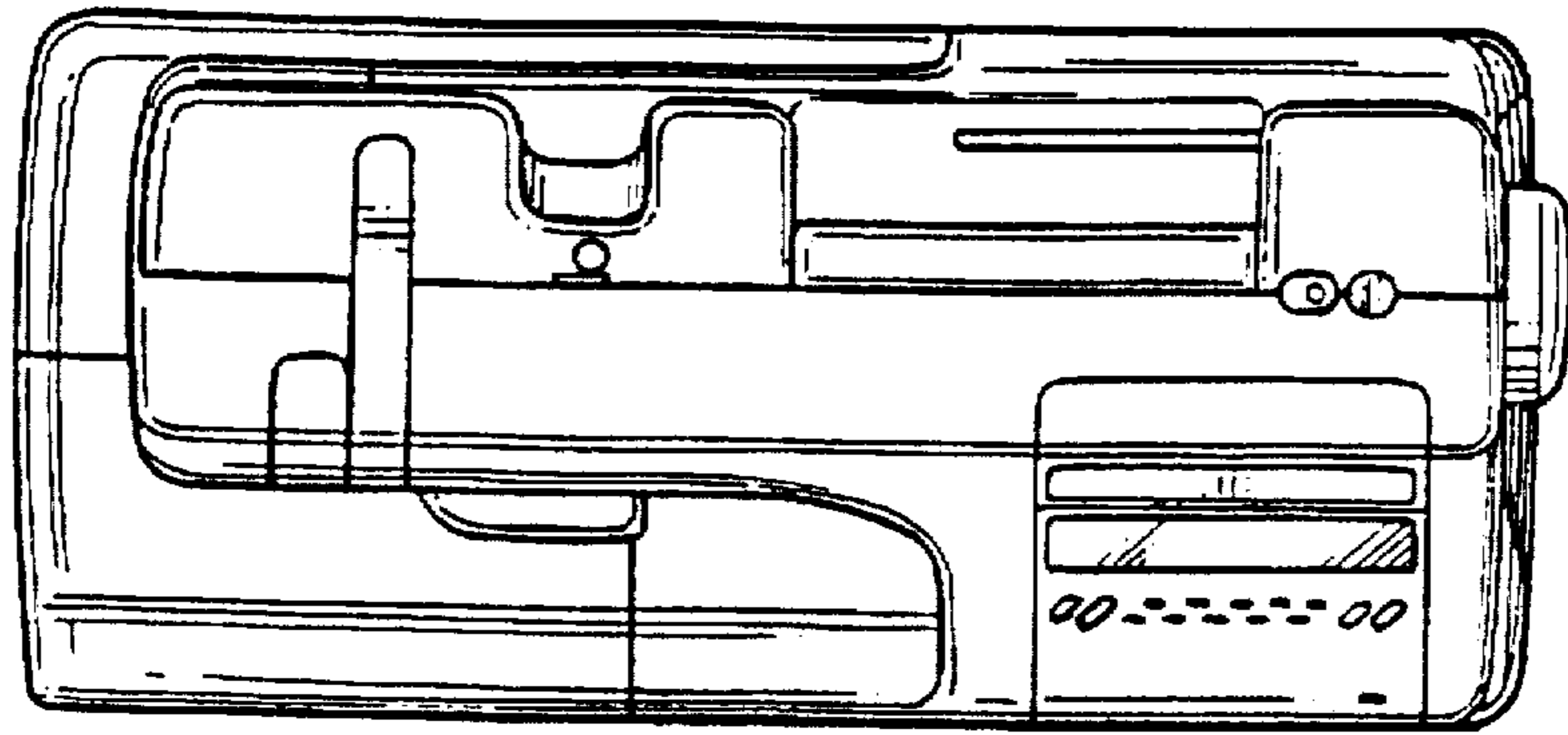


Fig. 3

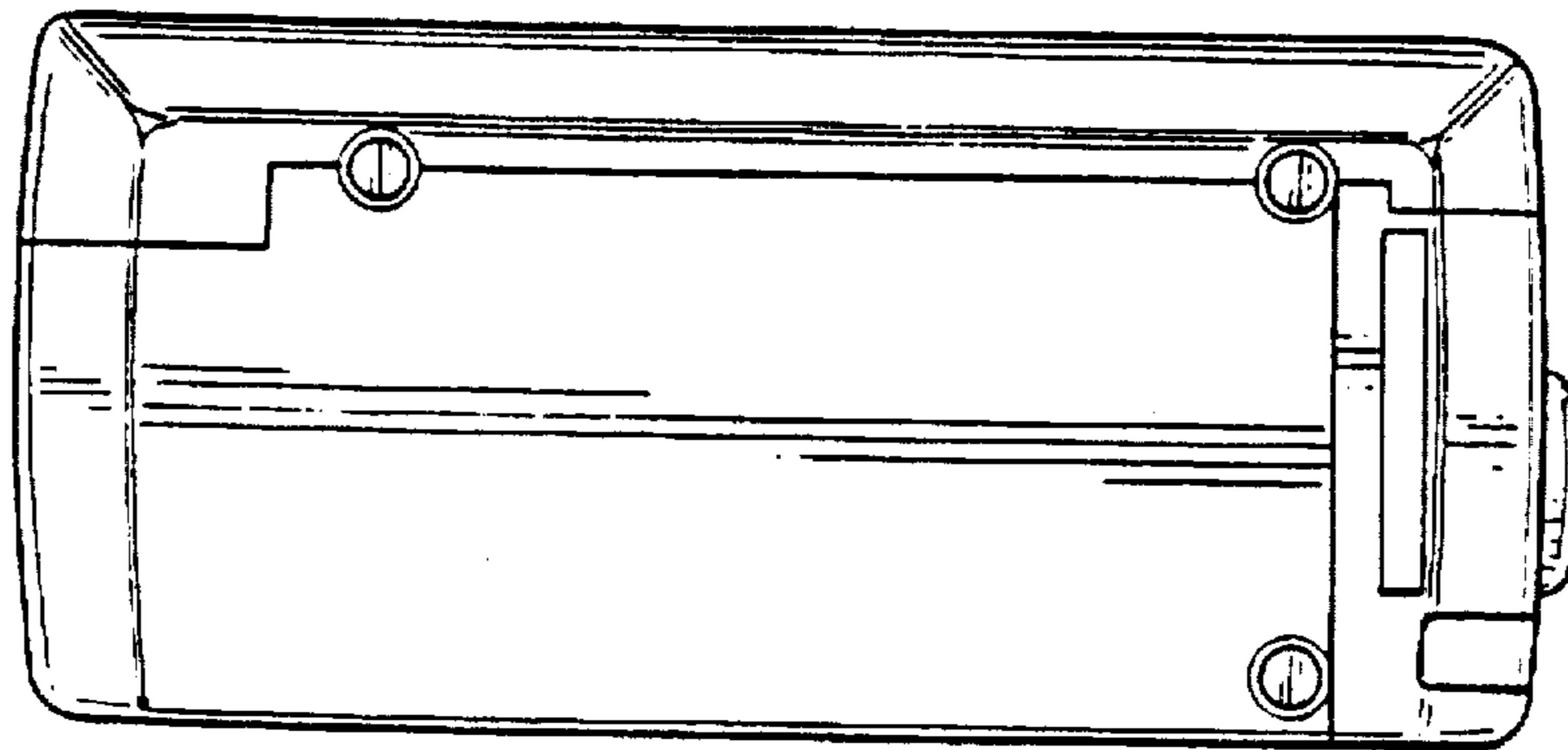


Fig. 4

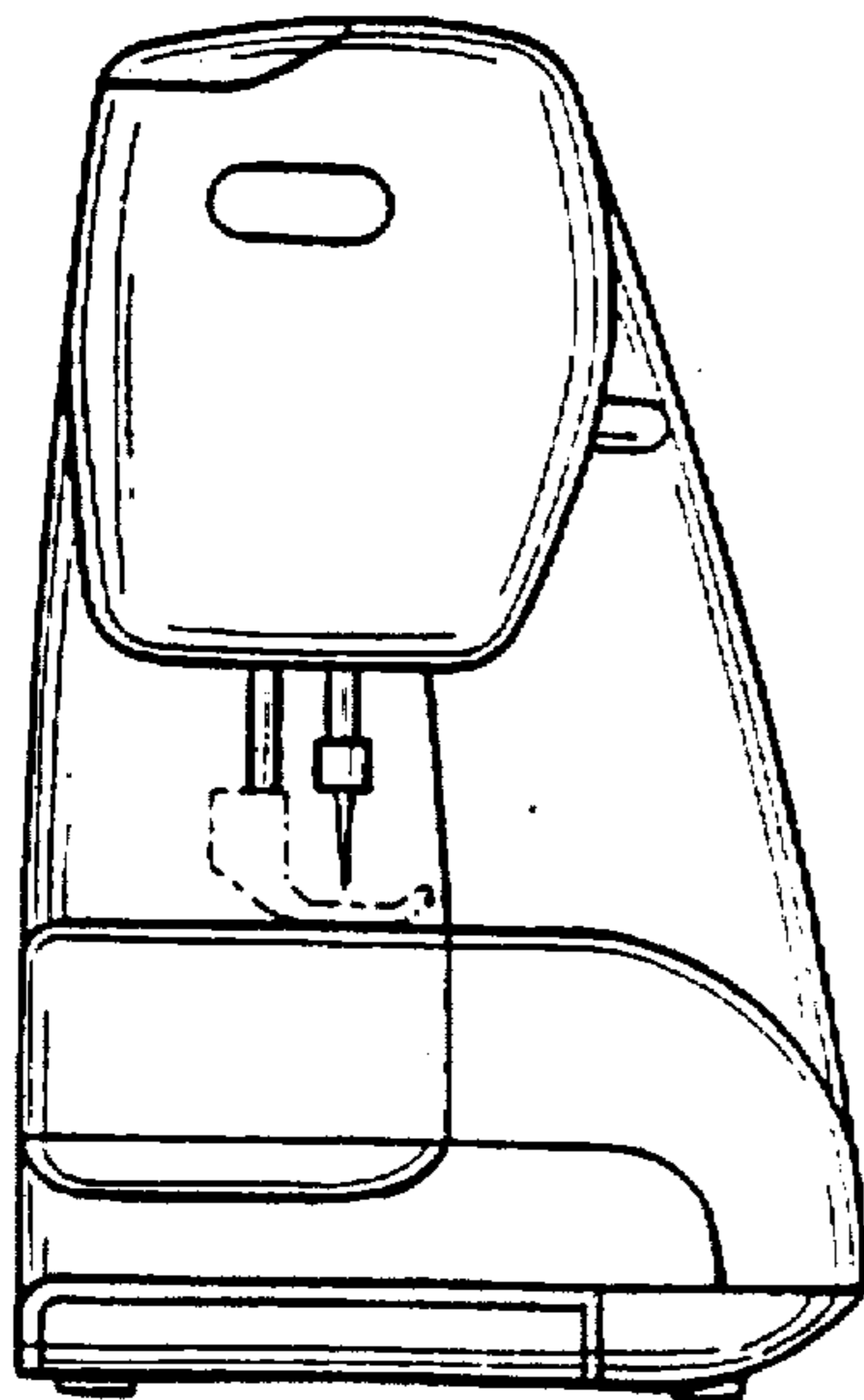


Fig. 5

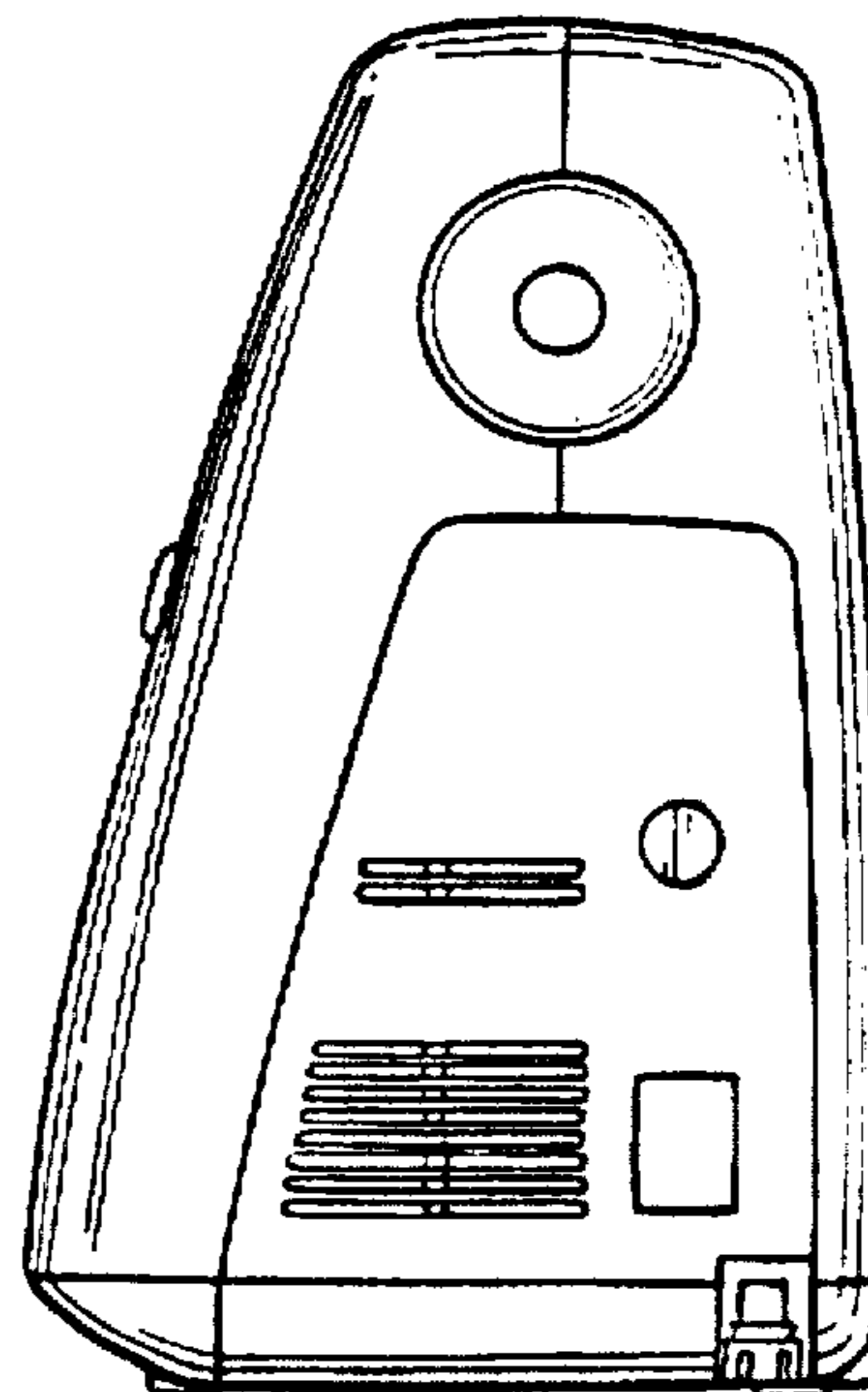


Fig. 6

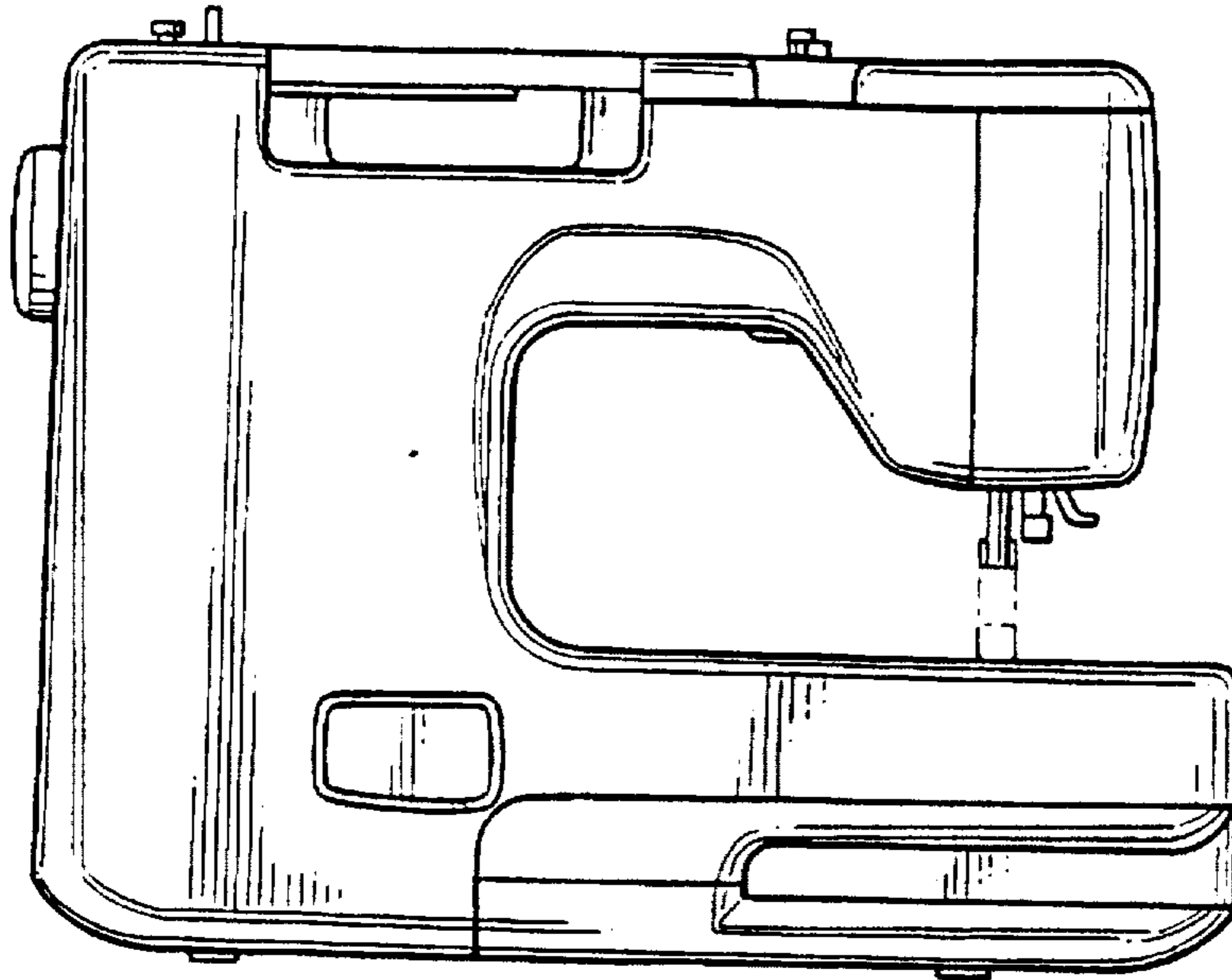


Fig. 7

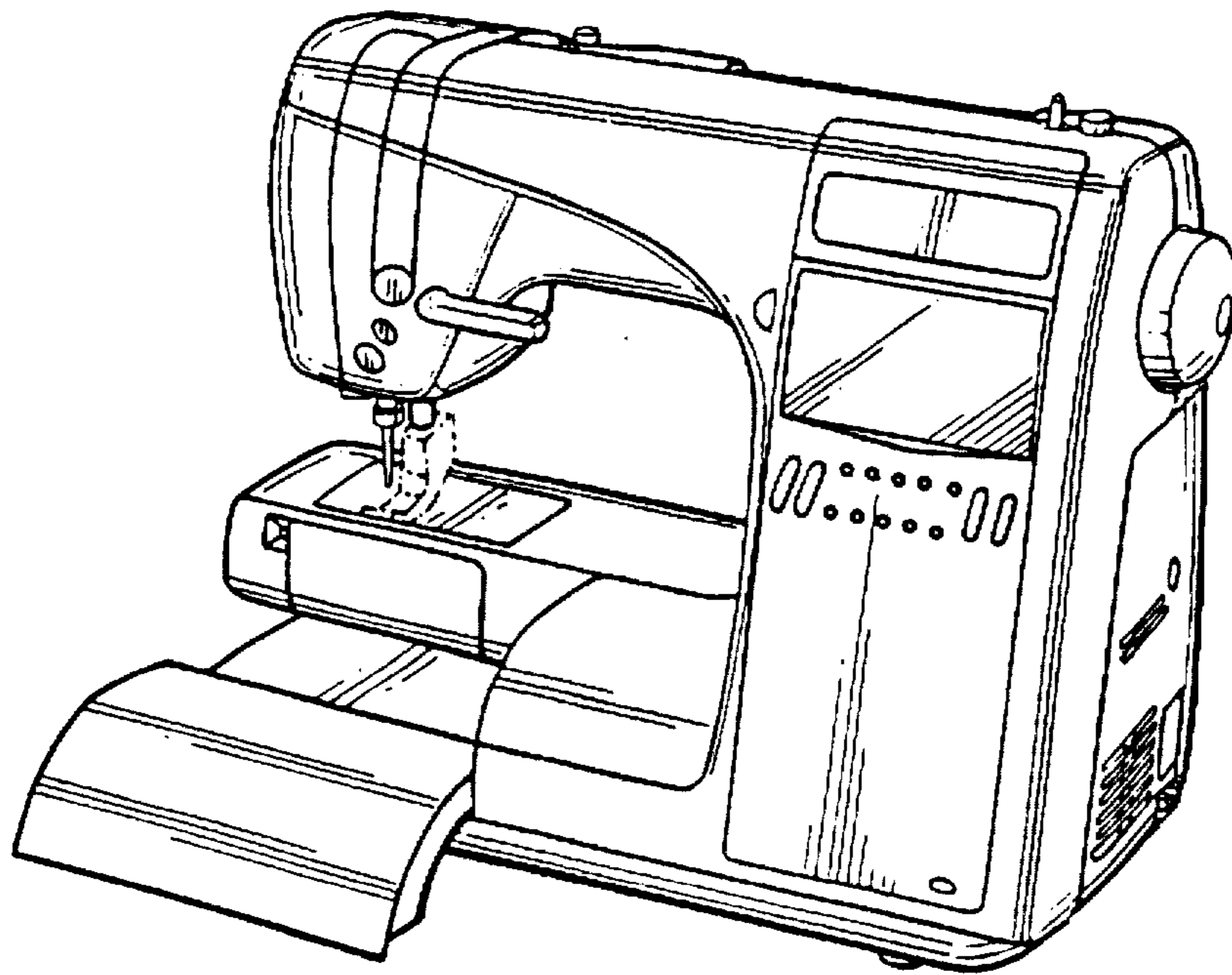


Fig. 8