



US00D392649S

United States Patent [19]

[11] **Patent Number: Des. 392,649**

Plummer et al.

[45] **Date of Patent: **Mar. 24, 1998**

[54] **RECIPROCATING COMPRESSOR**

[75] Inventors: **Darrill L. Plummer**, Charlotte; **Mike Allen**, Mooresville; **Gregory W. Hallman**, China Grove; **Anthony W. Joy**, Cornelius; **Robert R. Gibson**; **Christopher F. Yonge**, both of Charlotte, all of N.C.

D. 352,720 11/1994 Gildersleeve et al. D15/7
D. 362,404 9/1995 Richardson et al. D15/7
D. 365,107 12/1995 Ward D15/7
D. 367,280 2/1996 Richardson et al. D15/9
D. 372,034 7/1996 Handzel et al. D15/7

Primary Examiner—Ralf Seifert
Attorney, Agent, or Firm—Michael M. Gribus

[73] Assignee: **Ingersoll-Rand Company**, Woodcliff Lake, N.J.

[**] Term: **14 Years**

[57] **CLAIM**

The ornamental design for a reciprocating compressor, as shown and described.

[21] Appl. No.: **53,479**

[22] Filed: **Apr. 23, 1996**

[51] LOC (6) Cl. **15-02**

[52] U.S. Cl. **D15/7**

[58] Field of Search D15/7-9; 417/415,
417/419, 234, 279, 321, 410-411, 265,
405

DESCRIPTION

FIG. 1 is a rear view a reciprocating compressor showing our new desiign;

FIG. 2 is a front view thereof;

FIG. 3 is a left side view thereof;

FIG. 4 is a right side view thereof;

FIG. 5 is a top view thereof; and,

FIG. 6 is a bottom view thereof.

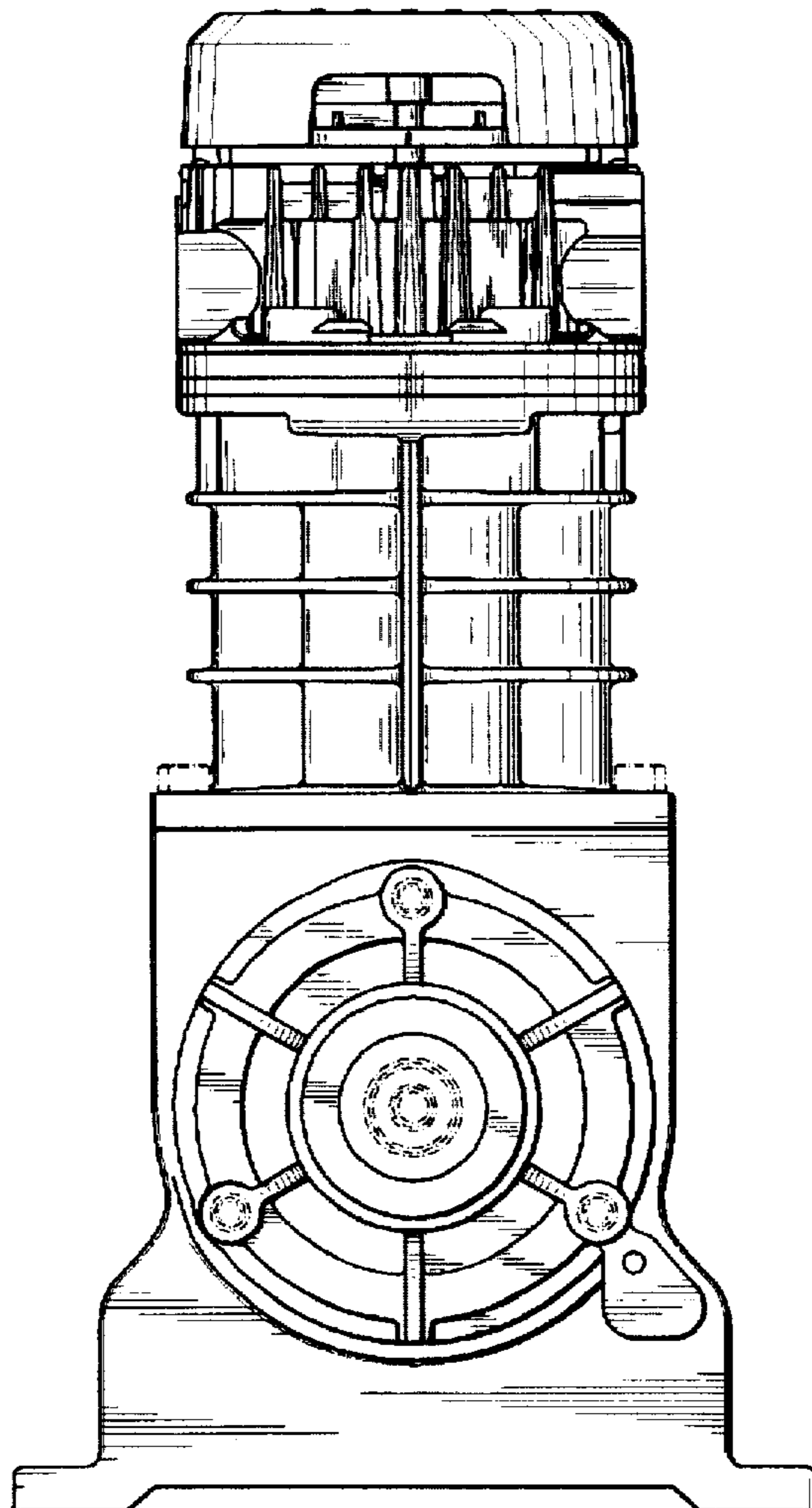
[The broken line showing of elements are for illustrative purposes only and form no part of the claimed design].

[56] **References Cited**

U.S. PATENT DOCUMENTS

D. 339,144 9/1993 Cline, Sr. D15/7

1 Claim, 6 Drawing Sheets



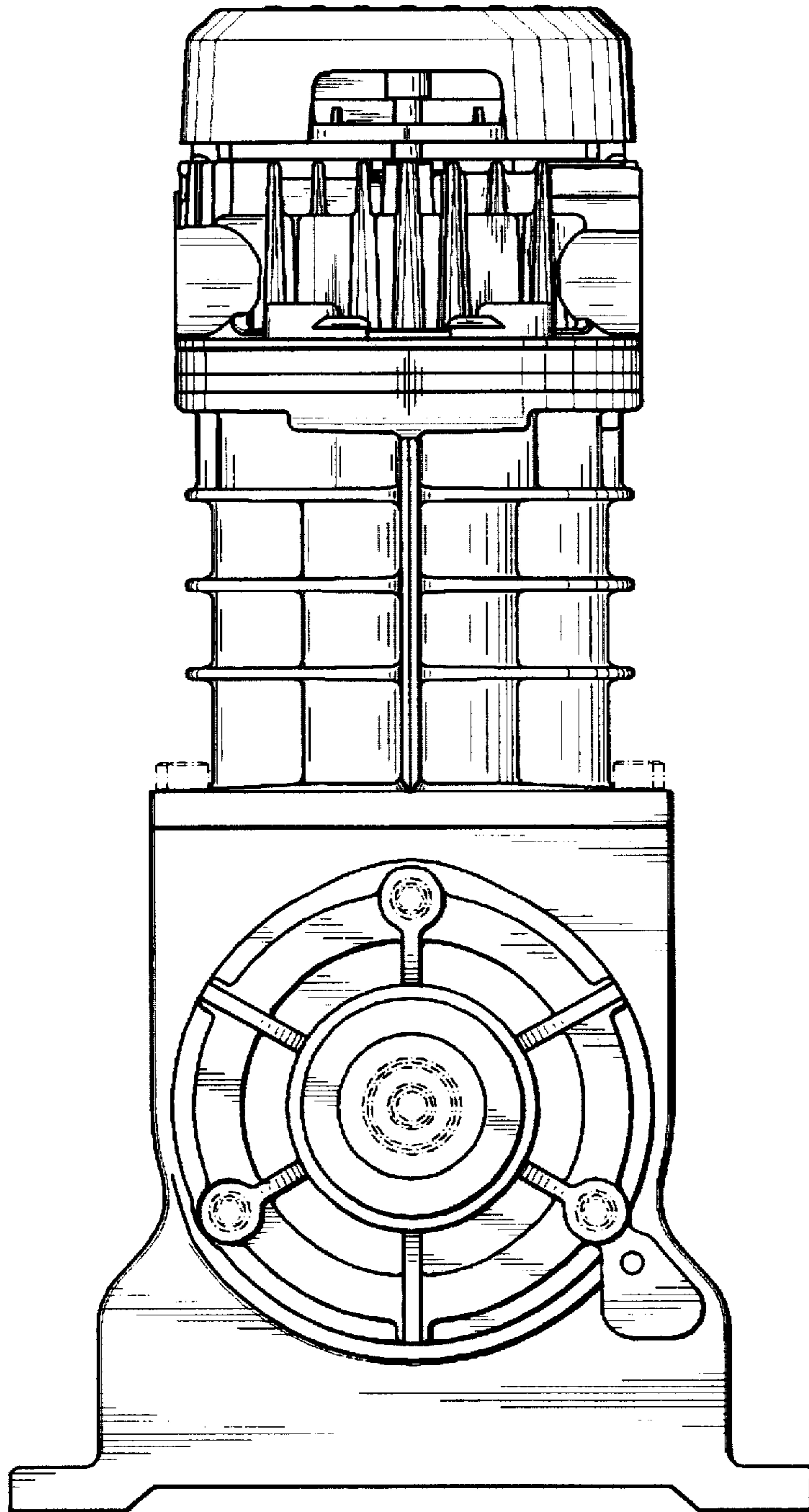


FIG. 1

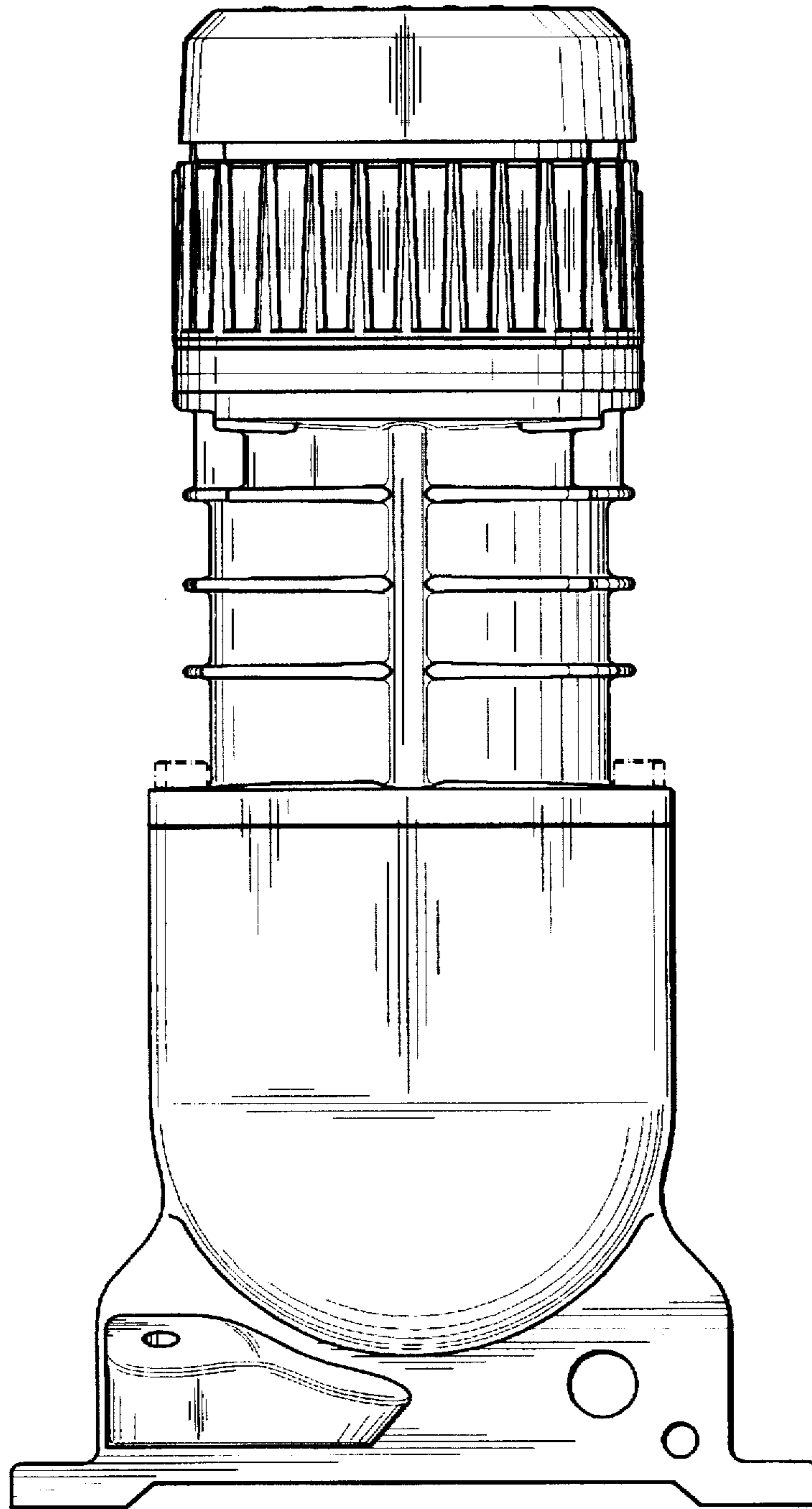


FIG. 2

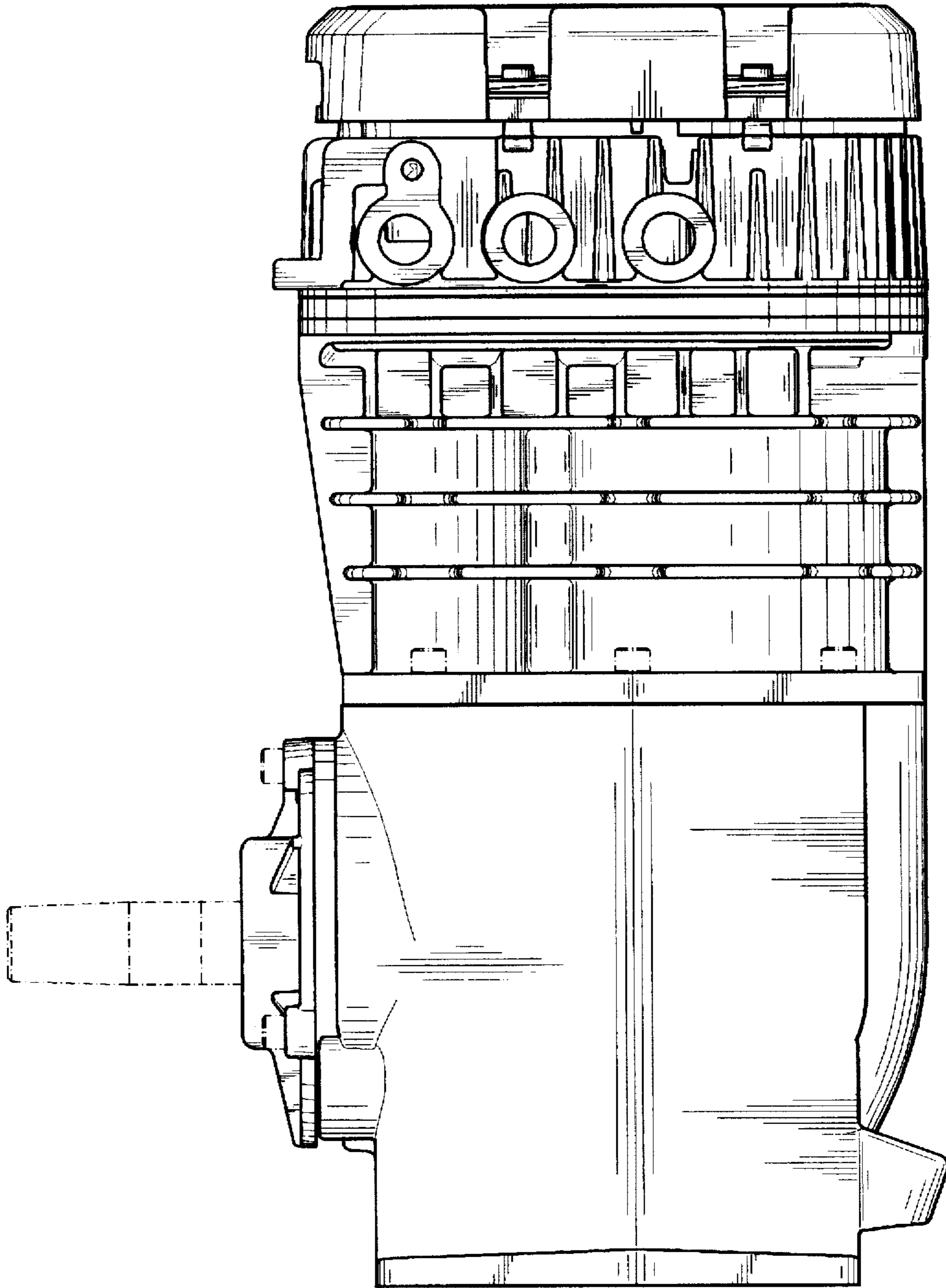


FIG. 3

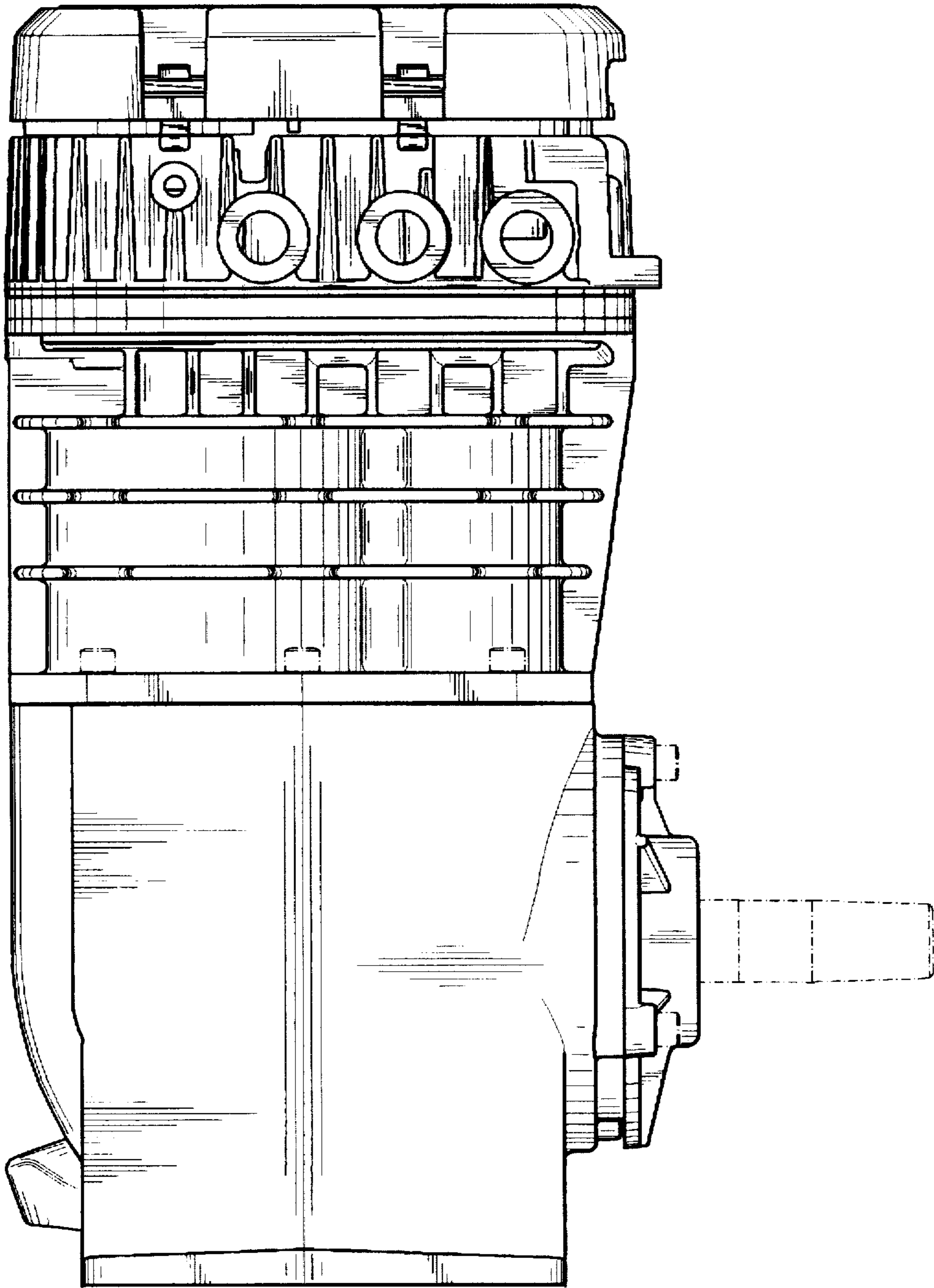


FIG. 4

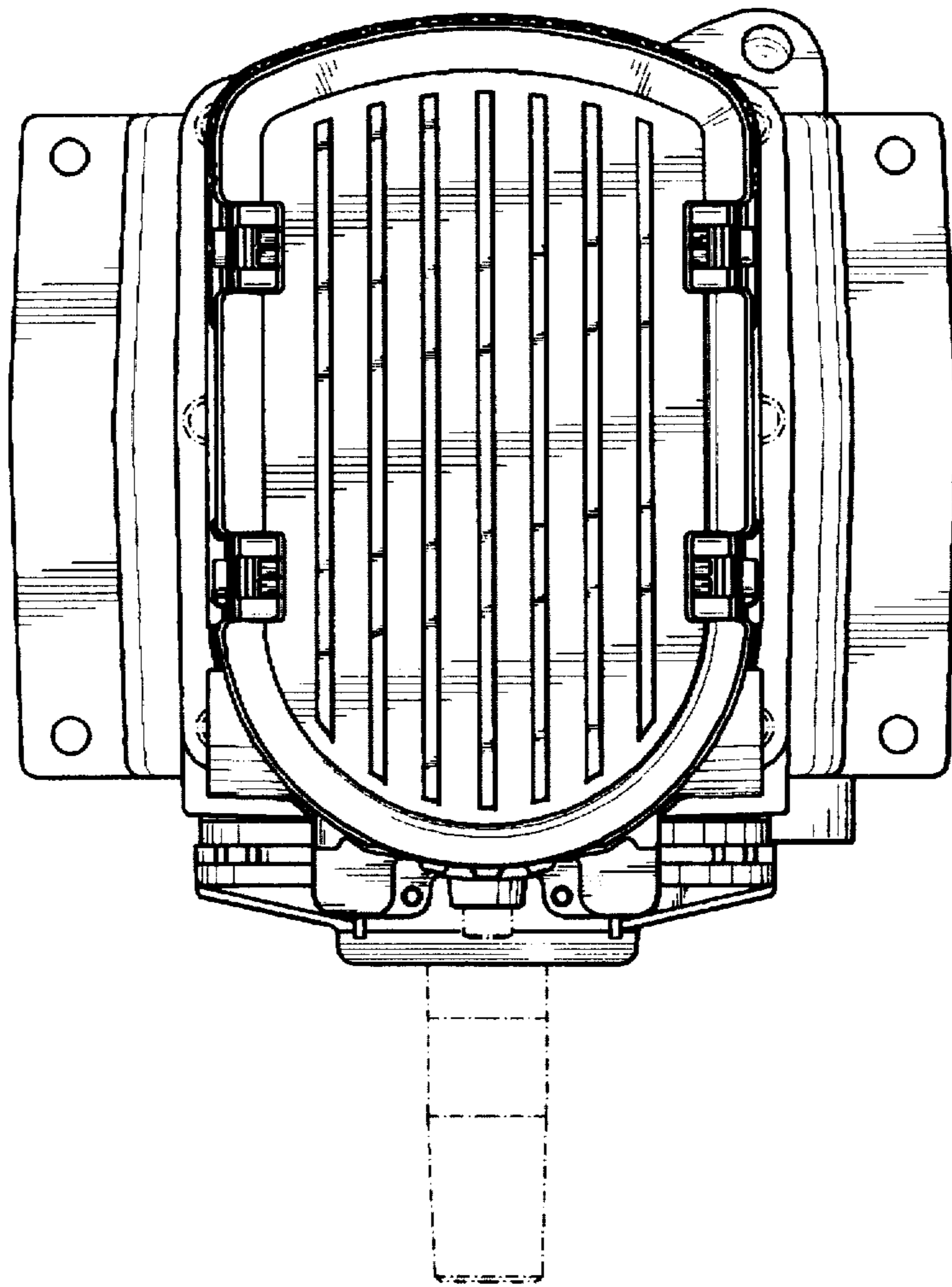


FIG. 5

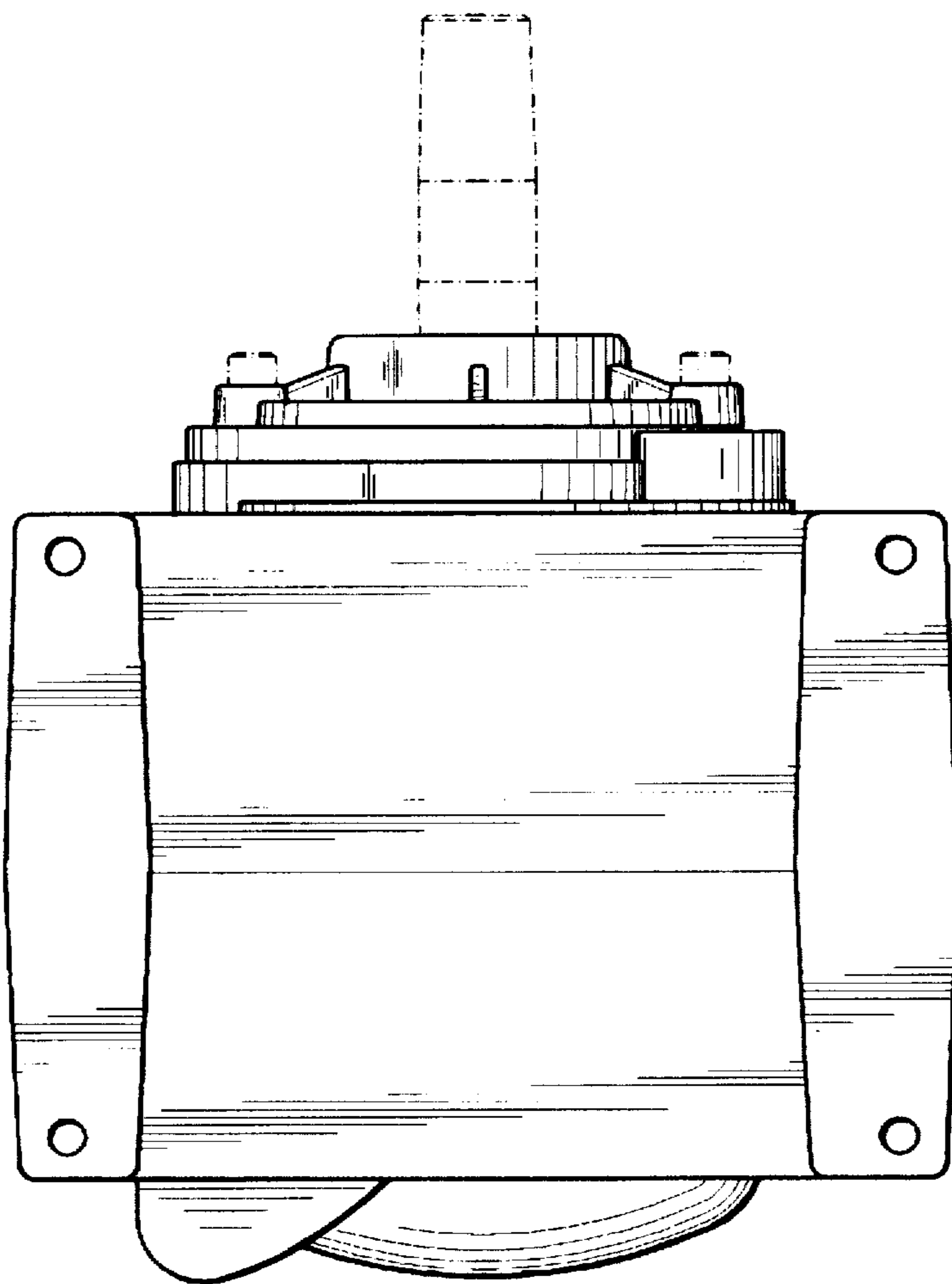


FIG. 6