

US00D392638S

# United States Patent [19]

Ito et al.

[11] Patent Number: Des. 392,638

[45] Date of Patent: \*\*Mar. 24, 1998

[54] **DIGITAL AUDIO DISC PLAYER**  
[75] Inventors: **Masafumi Ito; Hiroyuki Watanabe;**  
**Yukio Ikura**, all of Musashino, Japan

D. 318,664 7/1991 Ito et al. .... D14/156  
D. 327,677 7/1992 Byun ..... D14/136  
D. 348,662 7/1994 Kim ..... D14/136  
D. 351,167 10/1994 Yun ..... D14/156

[73] Assignee: **Teac Corporation**, Japan  
[\*\*] Term: **14 Years**

### OTHER PUBLICATIONS

Sony VCP-CI, as enclosed in Sony catalog '95.9.

[21] Appl. No.: **63,410**

*Primary Examiner*—B. J. Bullock  
*Attorney, Agent, or Firm*—Ladas & Parry

[22] Filed: **Dec. 6, 1996**

### [57] CLAIM

### [30] Foreign Application Priority Data

The ornamental design for a digital audio disc player, as shown and described.

Jun. 14, 1996 [JP] Japan ..... 8-17738

### DESCRIPTION

[51] LOC (6) Cl. .... **14-01**  
[52] U.S. Cl. .... **D14/156; D14/136; D14/157**  
[58] Field of Search ..... **D14/156, 157,**  
**D14/257, 136, 258; 369/75.1, 77.1, 77.2,**  
**75.2**

FIG. 1 is a perspective view of a digital audio disc player showing our new design;  
FIG. 2 is a front view thereof;  
FIG. 3 is a rear view thereof;  
FIG. 4 is a left side view thereof;  
FIG. 5 is a right side view thereof;  
FIG. 6 is a top view thereof; and,  
FIG. 7 is a bottom view thereof.

### [56] References Cited

#### U.S. PATENT DOCUMENTS

D. 289,947 5/1987 Katou et al. .... D14/156  
D. 304,941 12/1989 Ito et al. .... D14/156

**1 Claim, 3 Drawing Sheets**

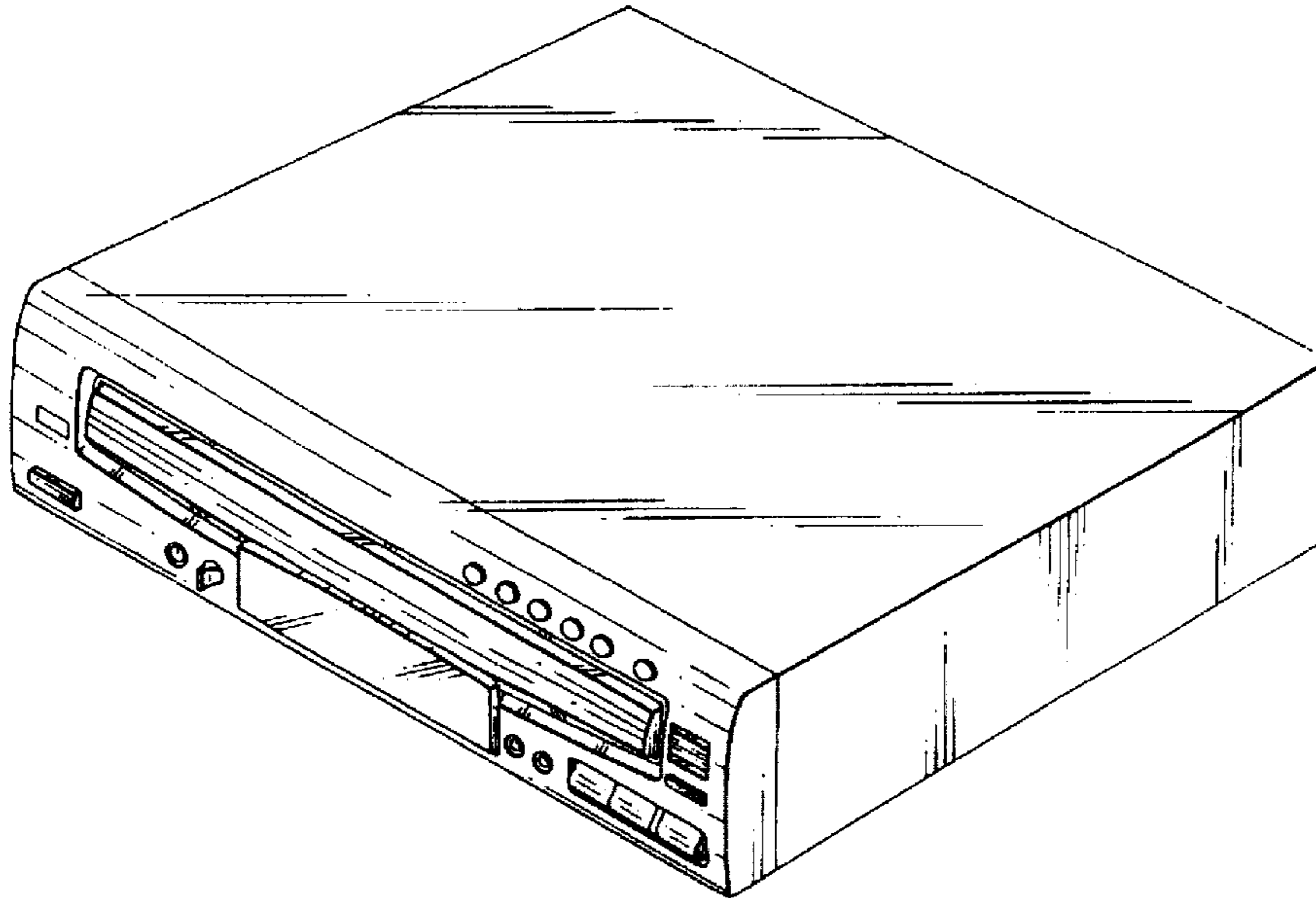


FIG. 1

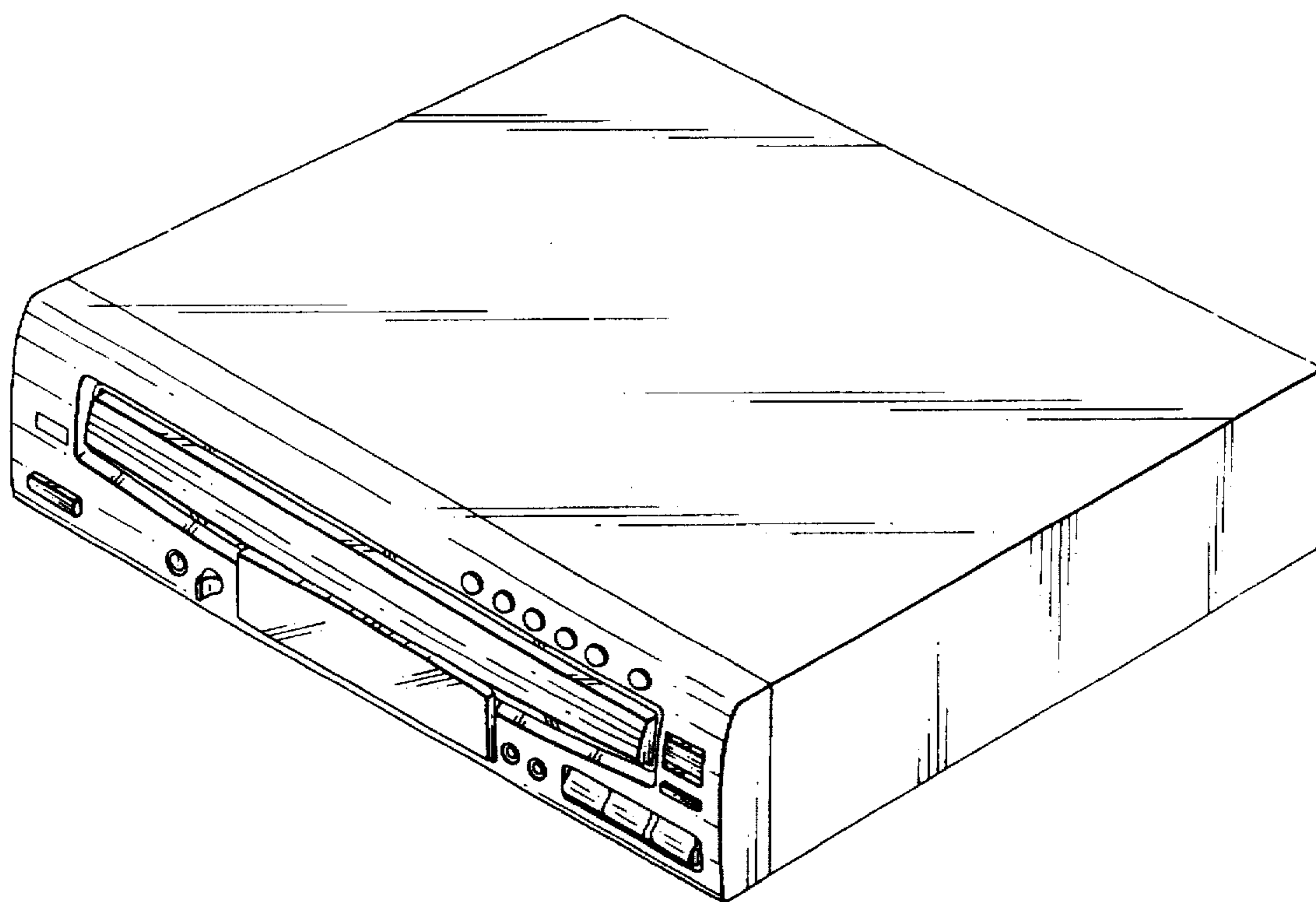


FIG. 2

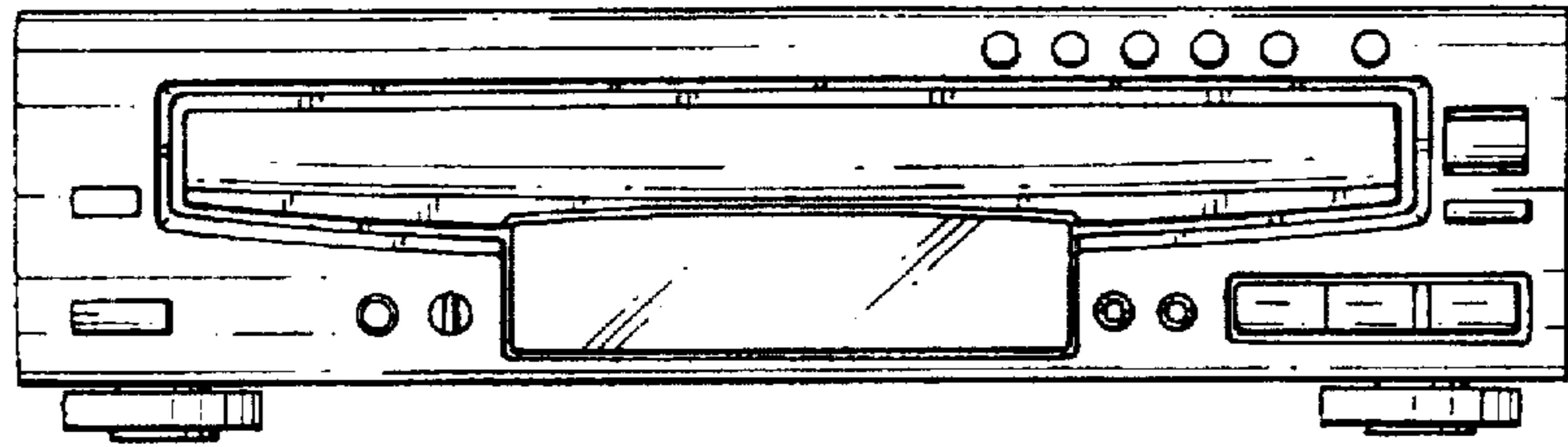


FIG. 3

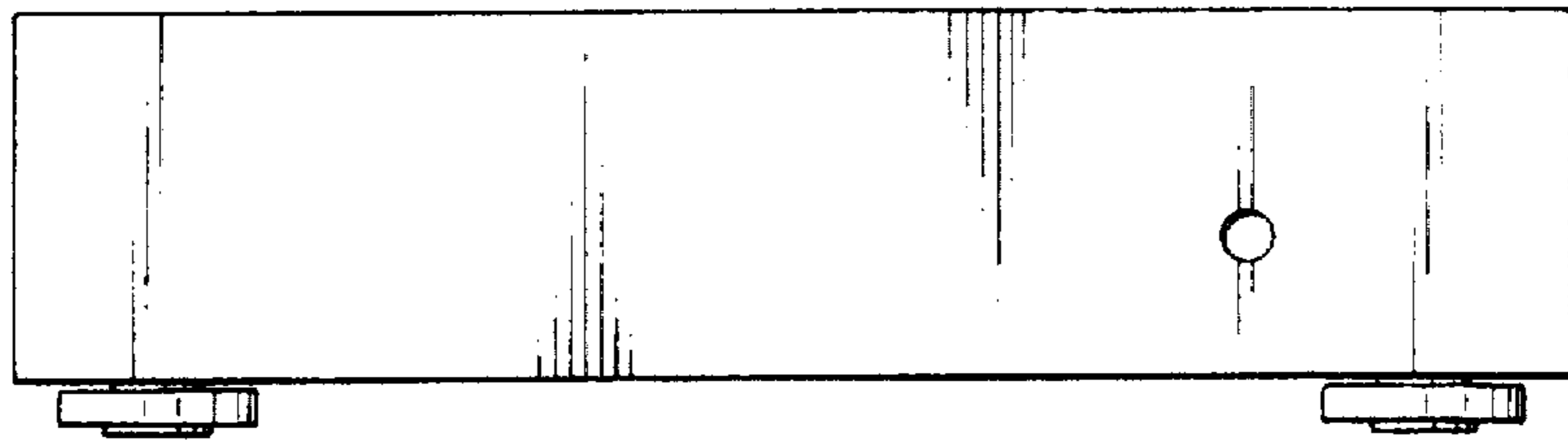


FIG. 4

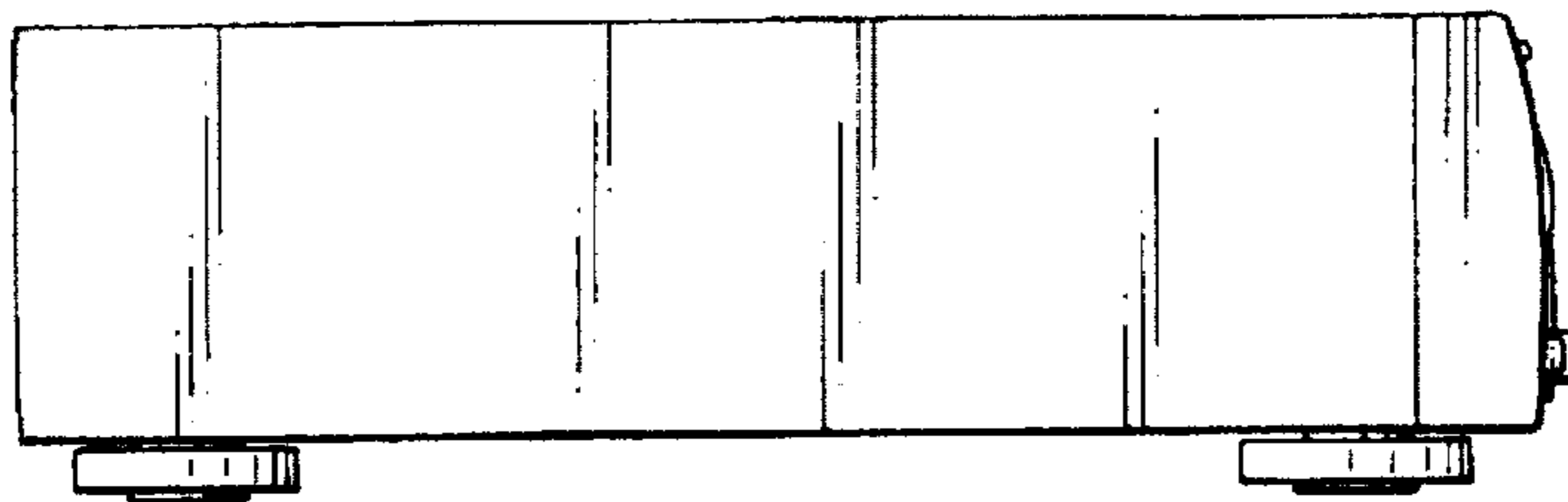


FIG. 5

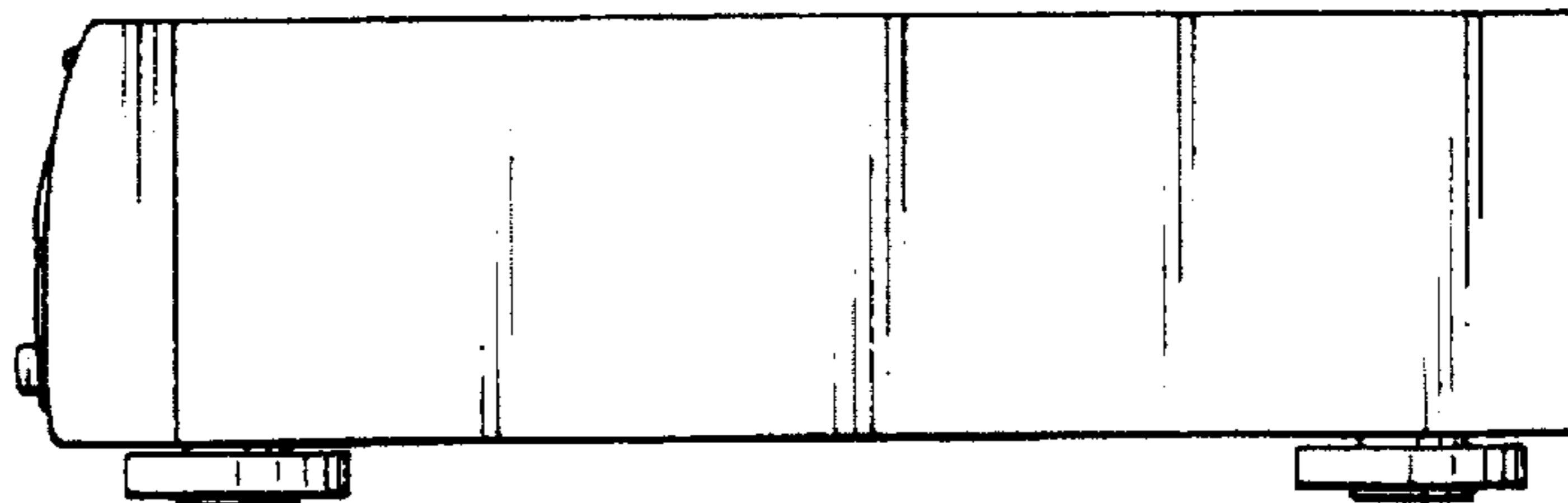


FIG. 6

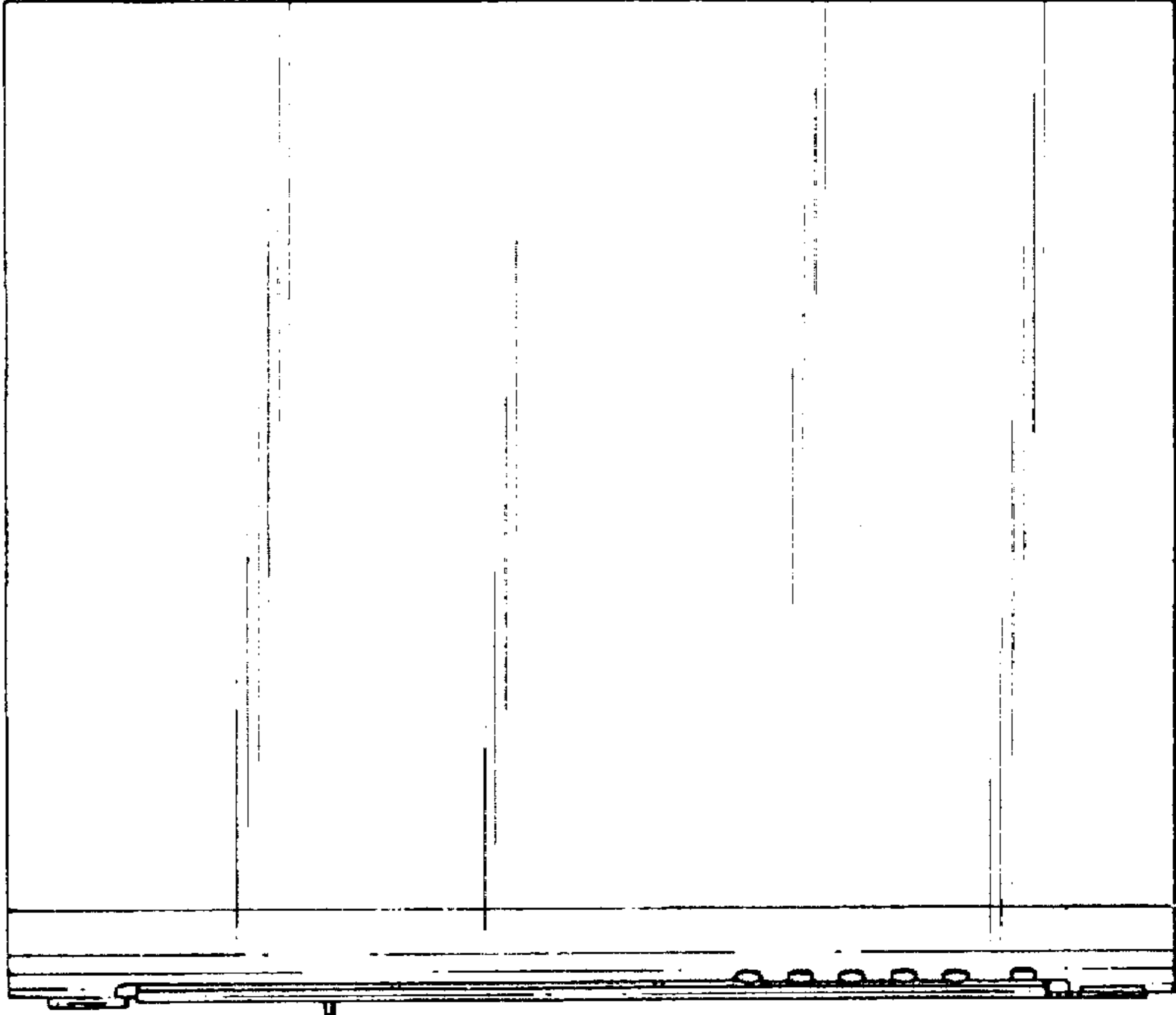


FIG. 7

