



US00D392632S

United States Patent [19]
Spiegel

[11] **Patent Number: Des. 392,632**
[45] **Date of Patent: **Mar. 24, 1998**

[54] **ICON FOR TIMEPIECE DISPLAY**
[75] **Inventor: Robert B. Spiegel, Mercer Island, Wash.**
[73] **Assignee: ProGenesis Incorporated, Preston, Wash.**
[**] **Term: 14 Years**
[21] **Appl. No.: 63,828**
[22] **Filed: Dec. 16, 1996**
[51] **LOC (6) Cl. 14-02**
[52] **U.S. Cl. D14/114.4; D10/30; D10/125**
[58] **Field of Search D14/114, 114.1-114.9; D18/24, 27; D10/11, 30-41, 123, 125, 126; D19/6; 395/326, 339-357; 368/28-30, 82-84, 239-42**

D. 377,624 1/1997 Svast D10/125
D. 378,740 4/1997 Yamamoto et al. D10/30 X
4,702,615 10/1987 Havel 368/82
4,845,689 7/1989 Vole 368/82

Primary Examiner—M. H. Tung
Attorney, Agent, or Firm—Christensen O’Conner Johnson & Kindness PLLC

[57] **CLAIM**

The ornamental design for an icon for timepiece display, as shown and described.

DESCRIPTION

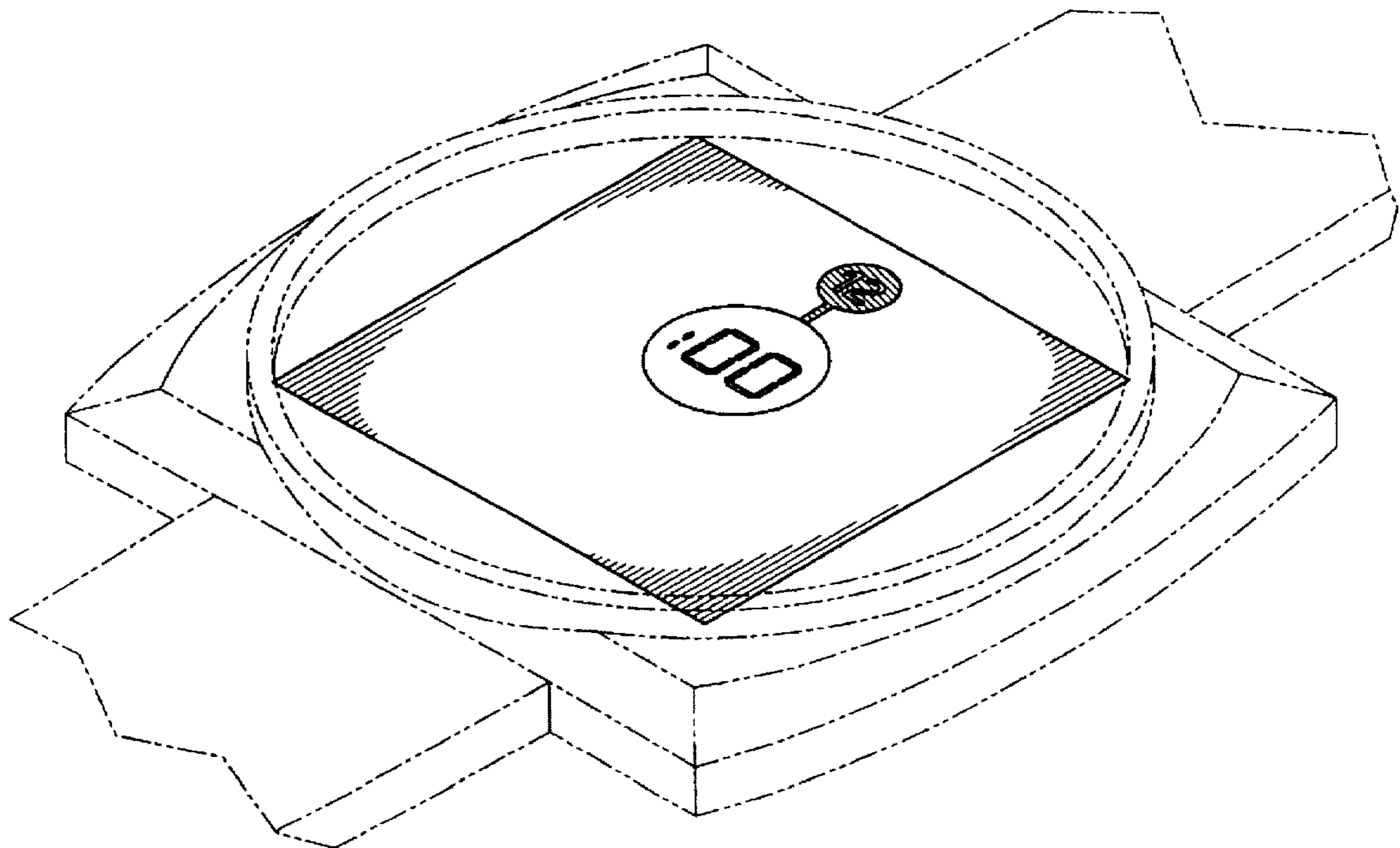
FIG. 1 is a front, isometric view of an icon for a timepiece display showing my new design;
FIG. 2 is a front view of a second embodiment thereof;
FIG. 3 is a front view of a third embodiment thereof;
FIG. 4 is a front view of a fourth embodiment thereof;
FIG. 5 is a front view of a fifth embodiment thereof;
FIG. 6 is a front view of a sixth embodiment thereof;
FIG. 7 is a front view of a seventh embodiment thereof;
FIG. 8 is a front view of an eighth embodiment thereof;
FIG. 9 is a front view of a ninth embodiment thereof;
FIG. 10 is a front view of a tenth embodiment thereof;
FIG. 11 is a front view of an eleventh embodiment thereof; and,
FIG. 12 is a front view of a twelfth embodiment thereof.
The broken line drawing of a timepiece display in all views is for illustrative purposes only and forms no part of the claimed design.

[56] **References Cited**

U.S. PATENT DOCUMENTS

D. 211,813 7/1968 Summers D10/125 X
D. 278,804 5/1985 Tanikawa D10/125
D. 295,634 5/1988 Wells-Papanek et al. D18/27
D. 313,941 1/1991 Wakamatsu D10/38
D. 324,827 3/1992 Morishima D10/30
D. 351,797 10/1994 White D10/38 X
D. 360,836 8/1995 Goto D10/38
D. 361,724 8/1995 Nanayakkara D10/38 X
D. 363,034 10/1995 Weichhold et al. D10/30 X
D. 375,053 10/1996 Voegeli D10/30

1 Claim, 12 Drawing Sheets



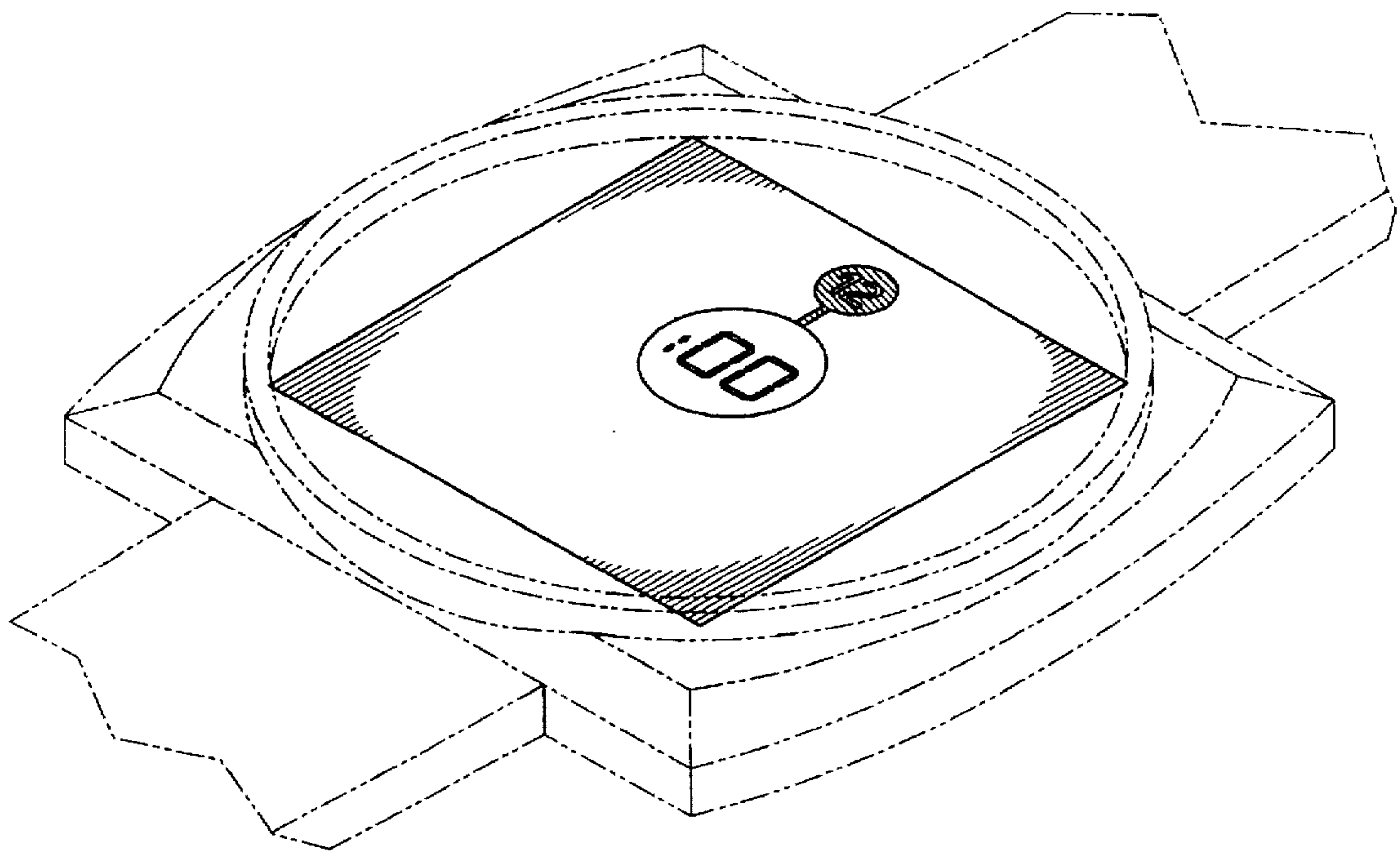


Fig. 1

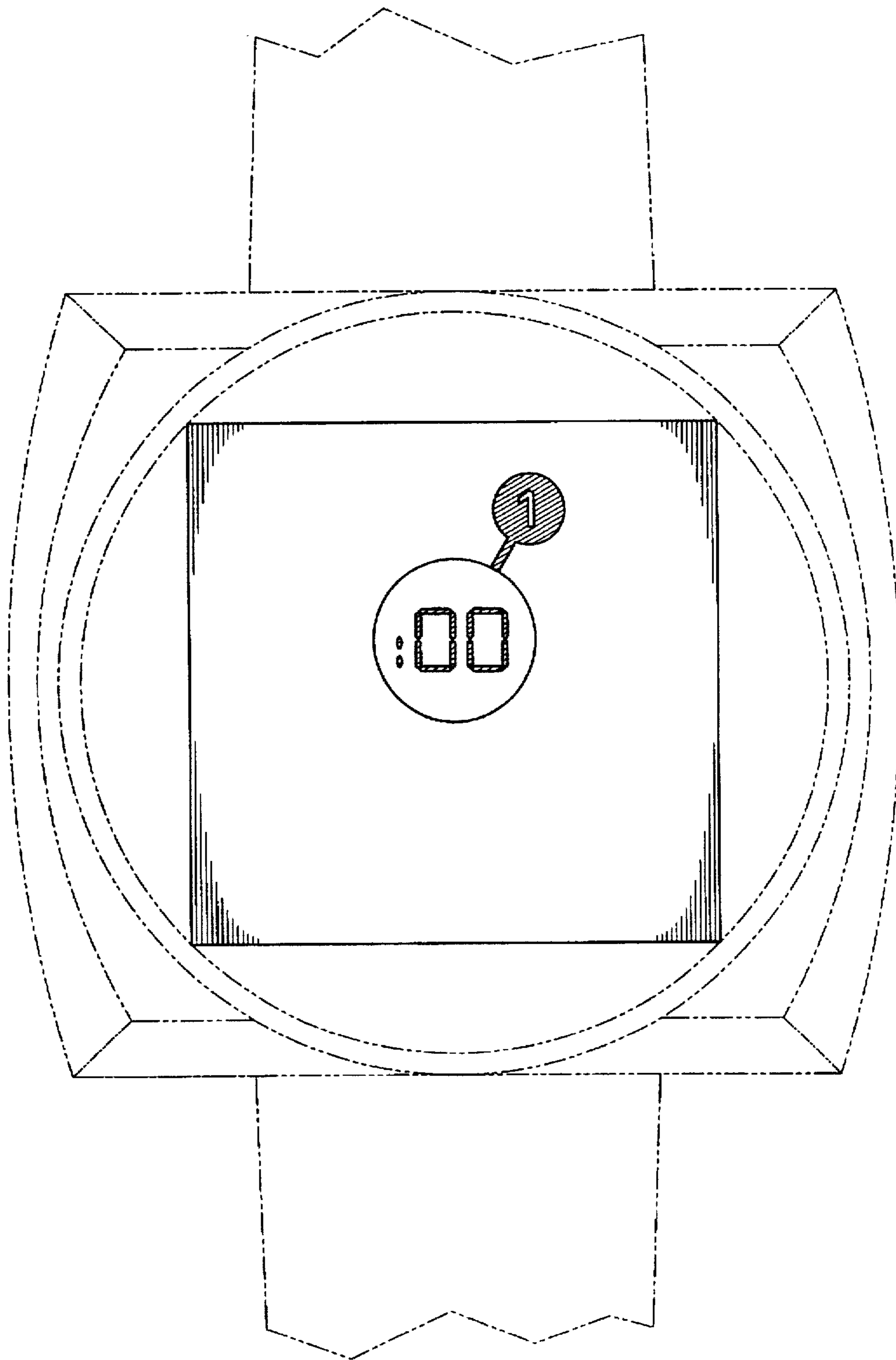


Fig. 2

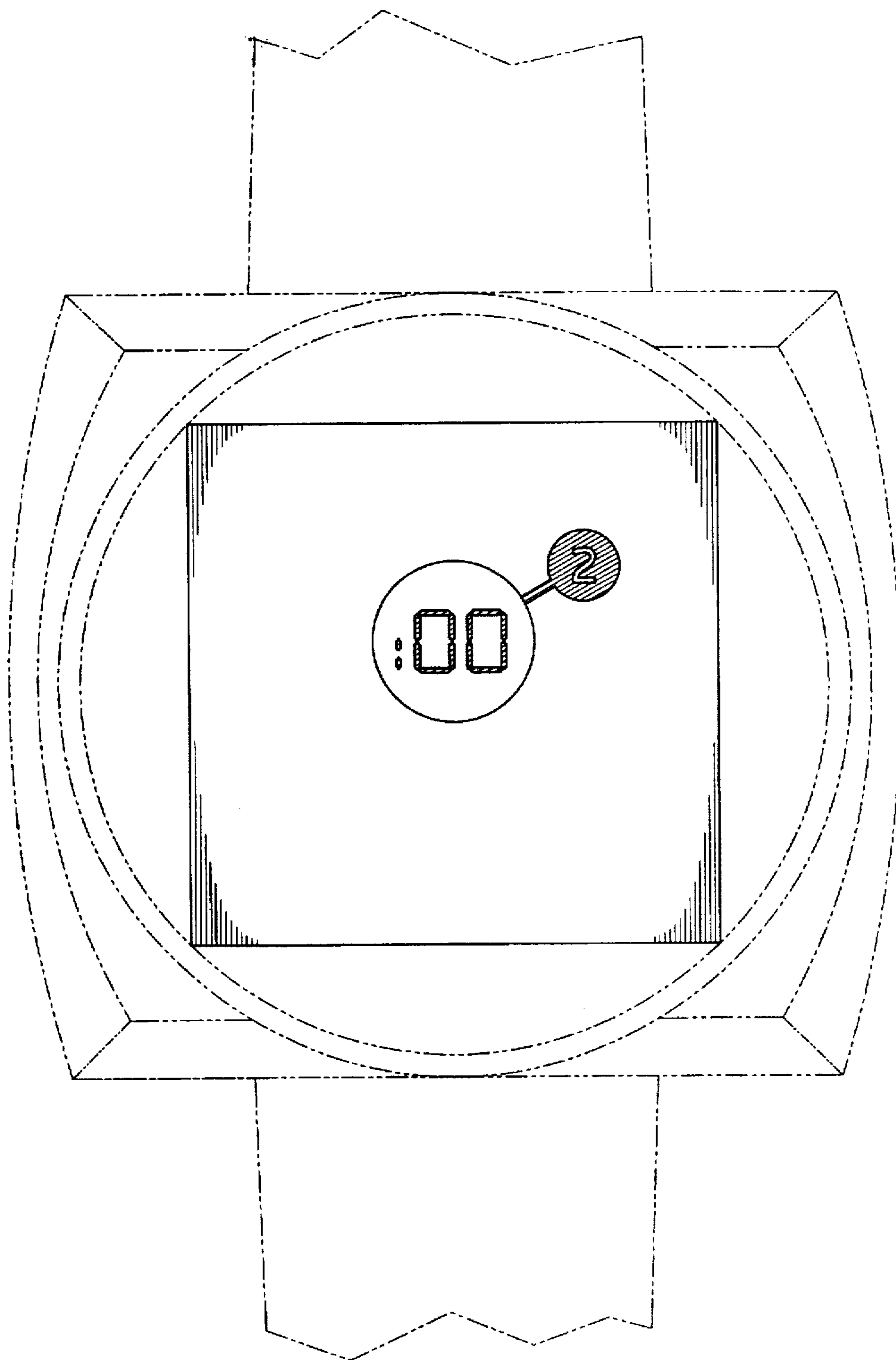


Fig. 3

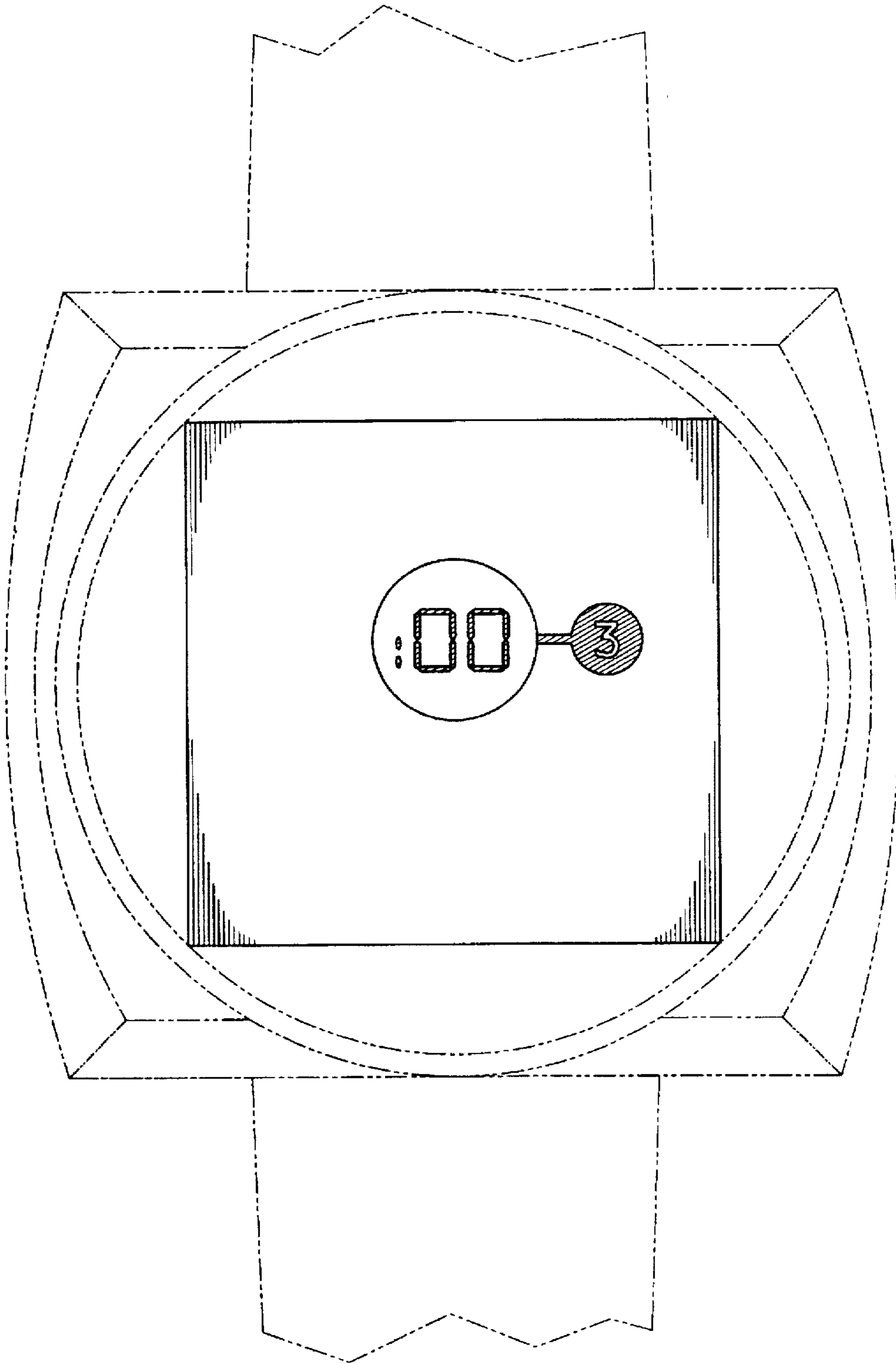


Fig. 4

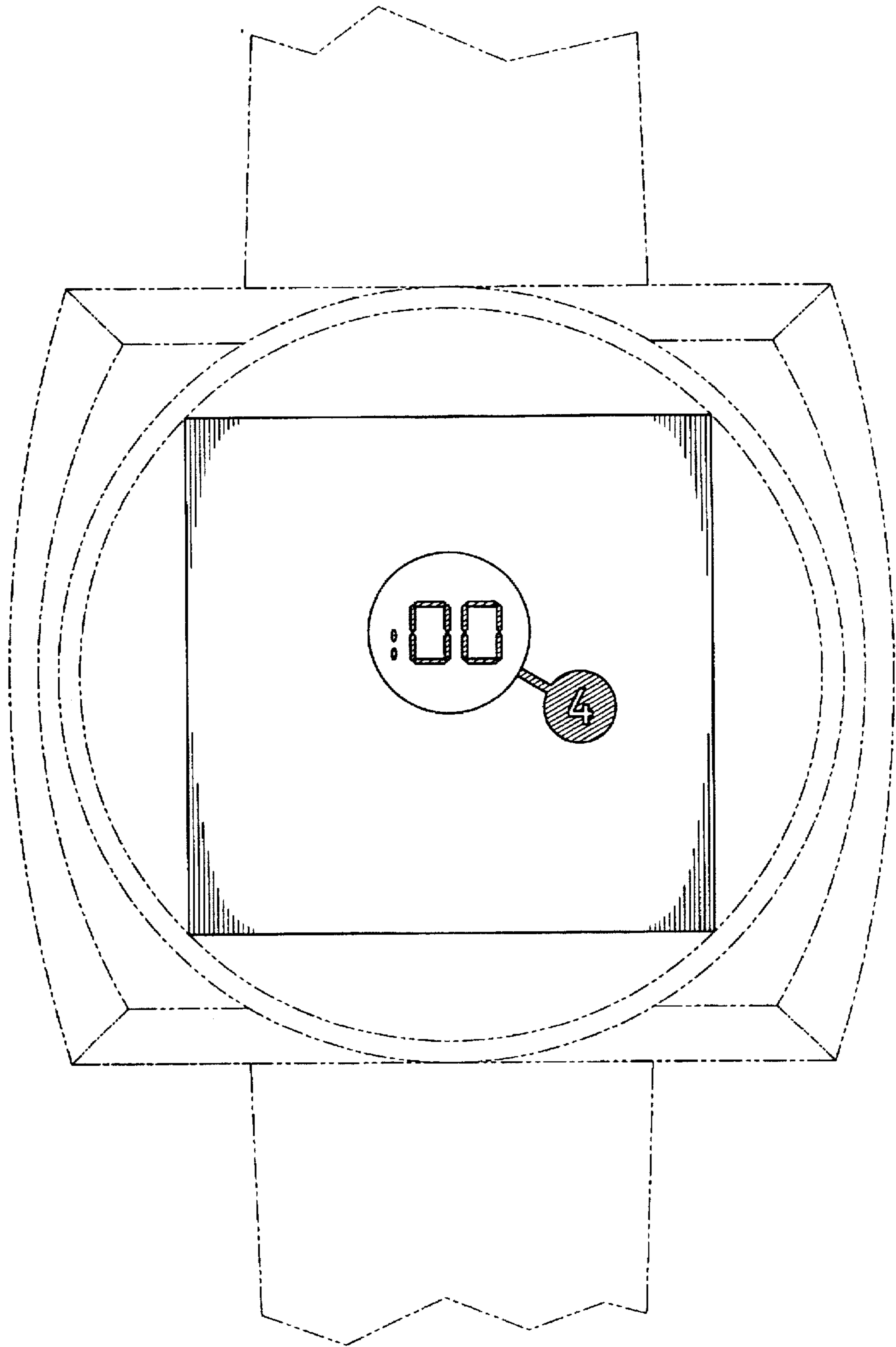


Fig. 5

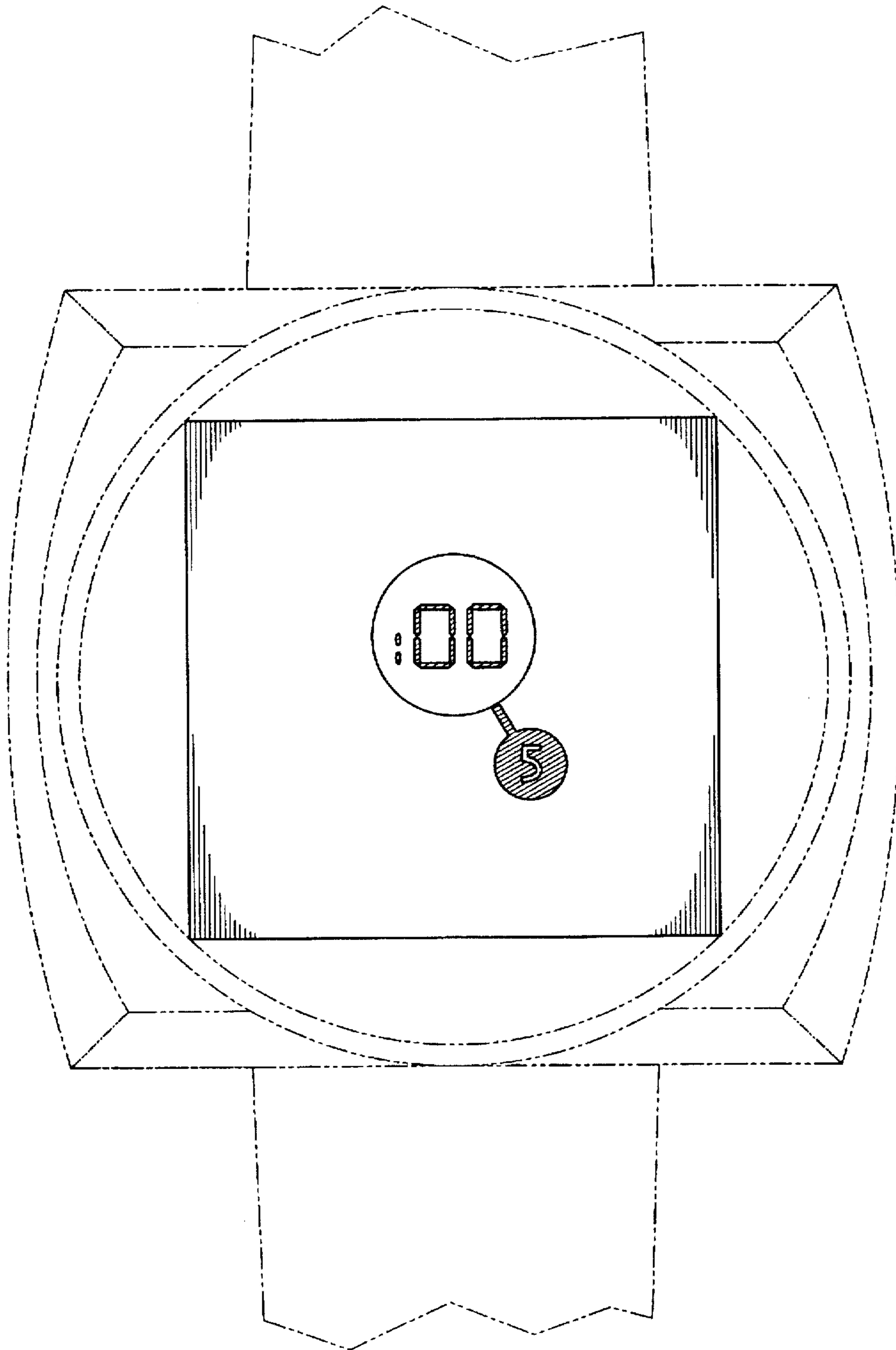


Fig. 6

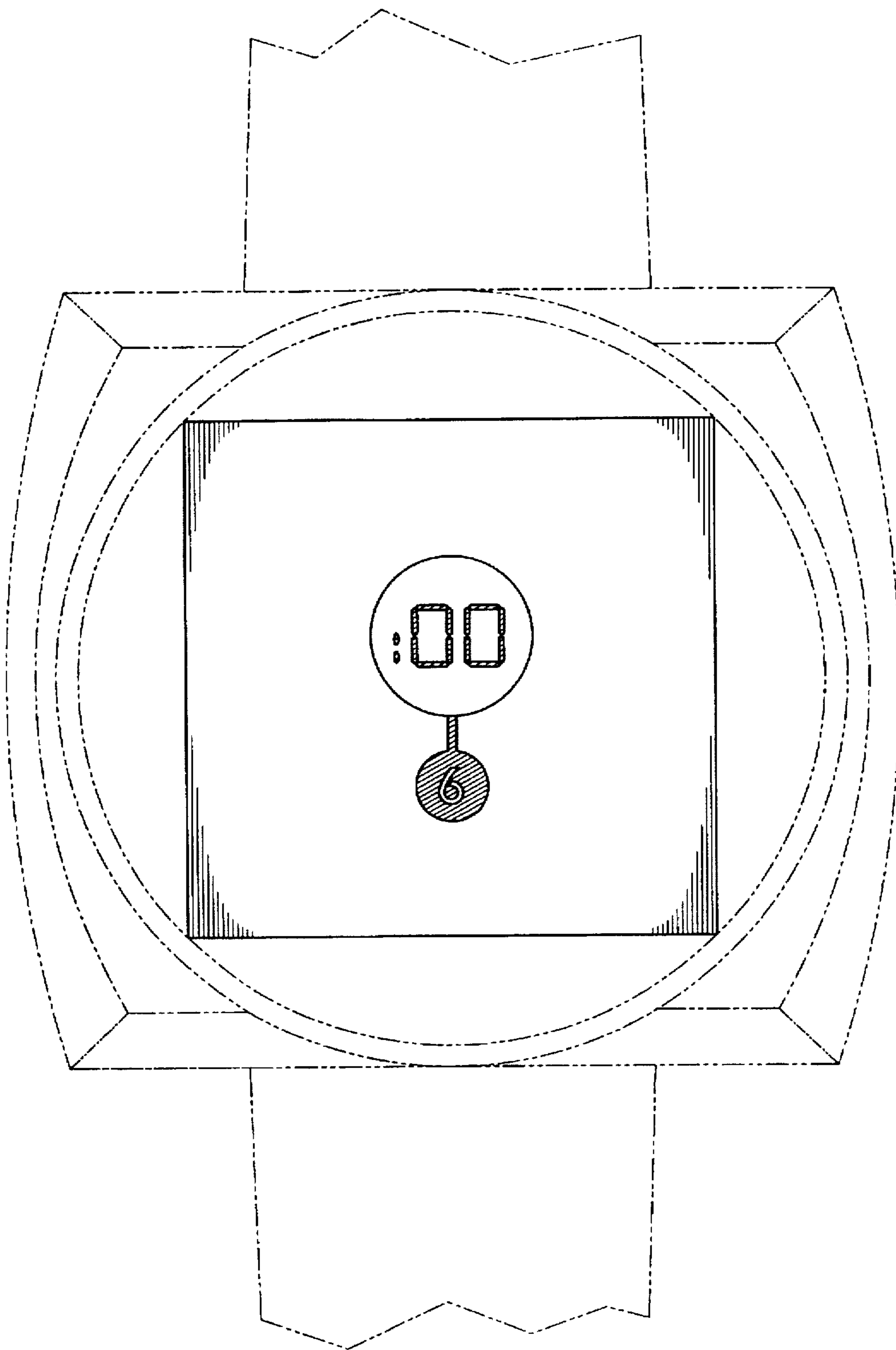


Fig. 7

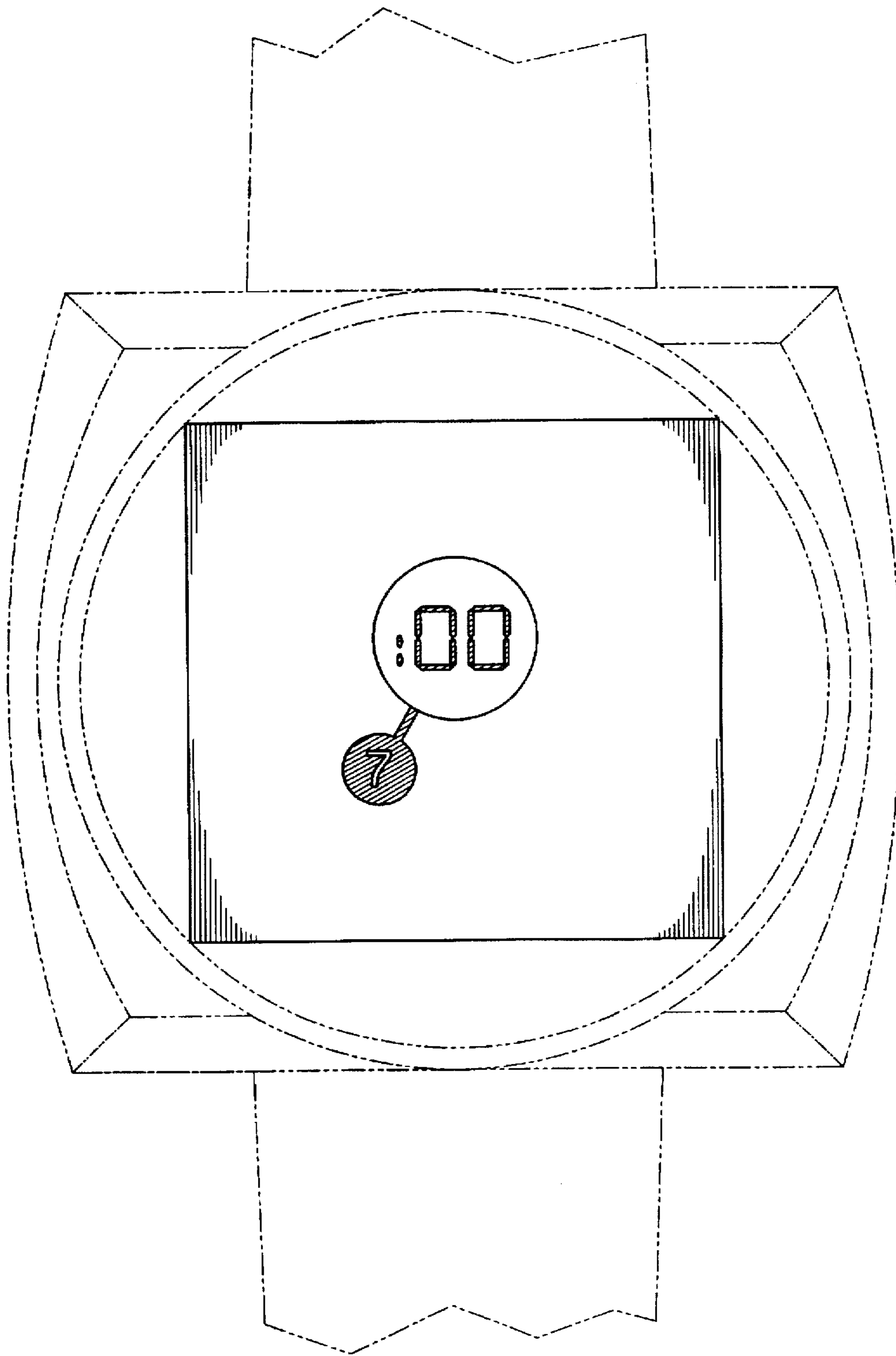


Fig. 8

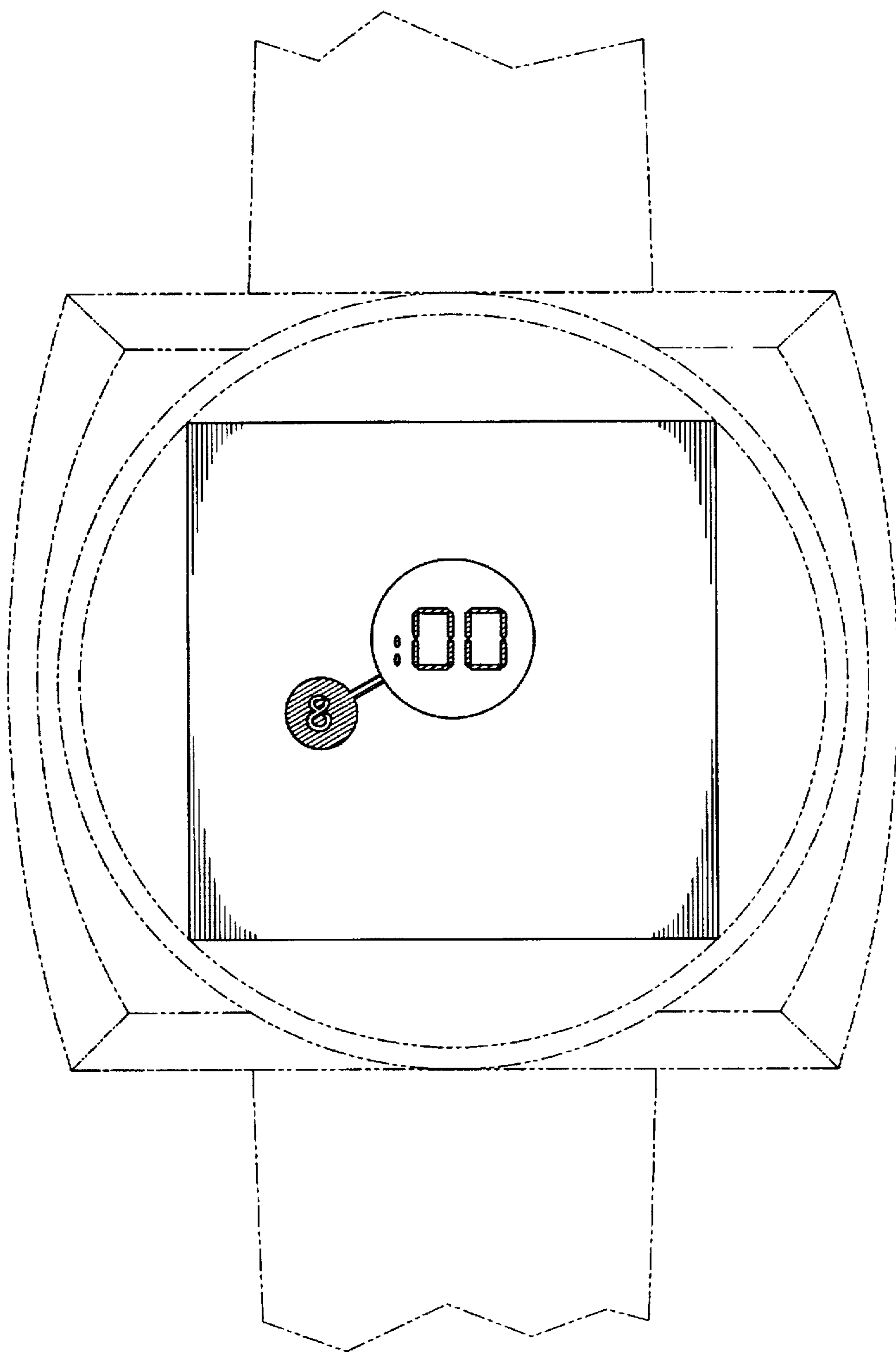


Fig. 9

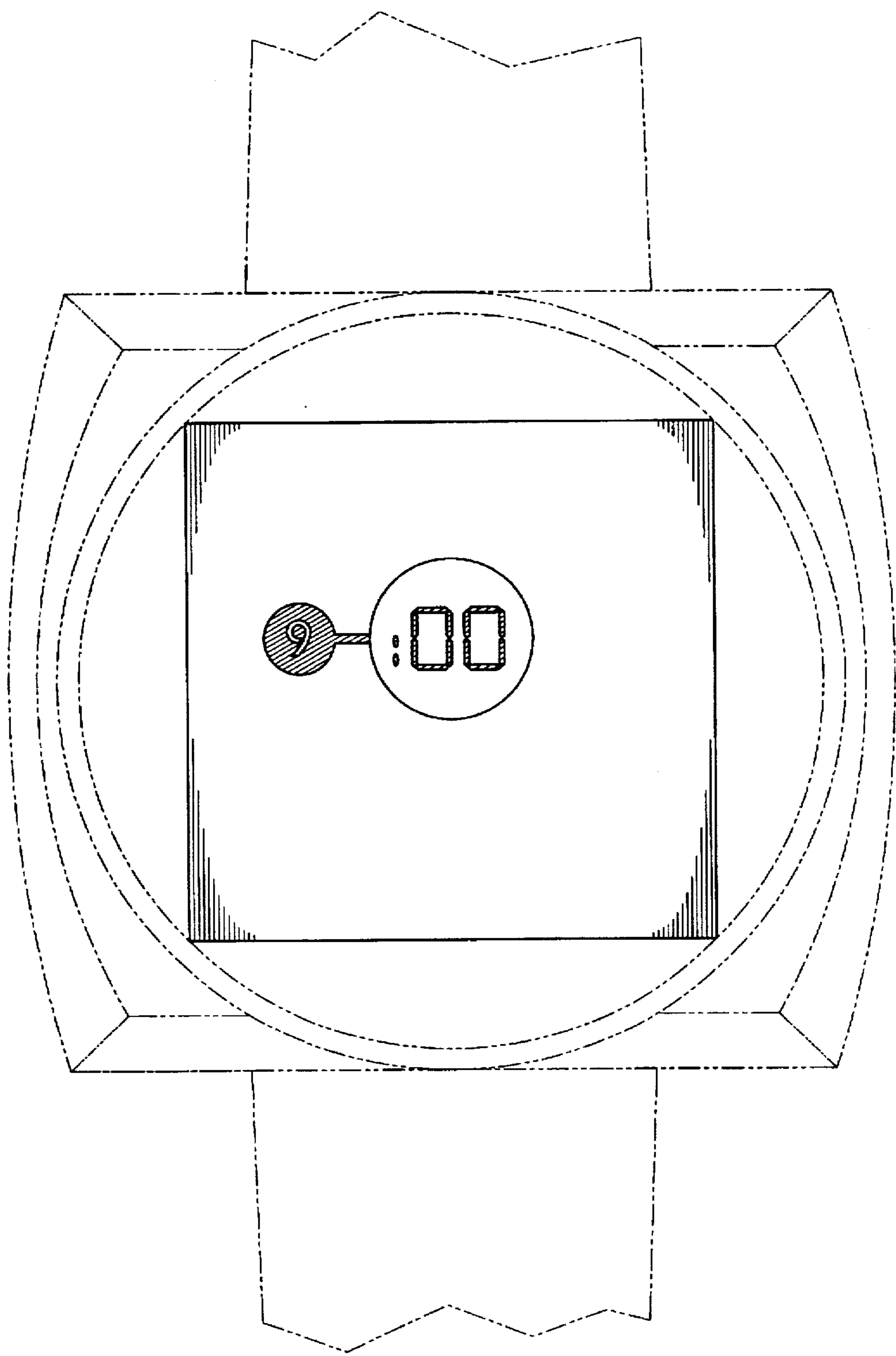


Fig. 10

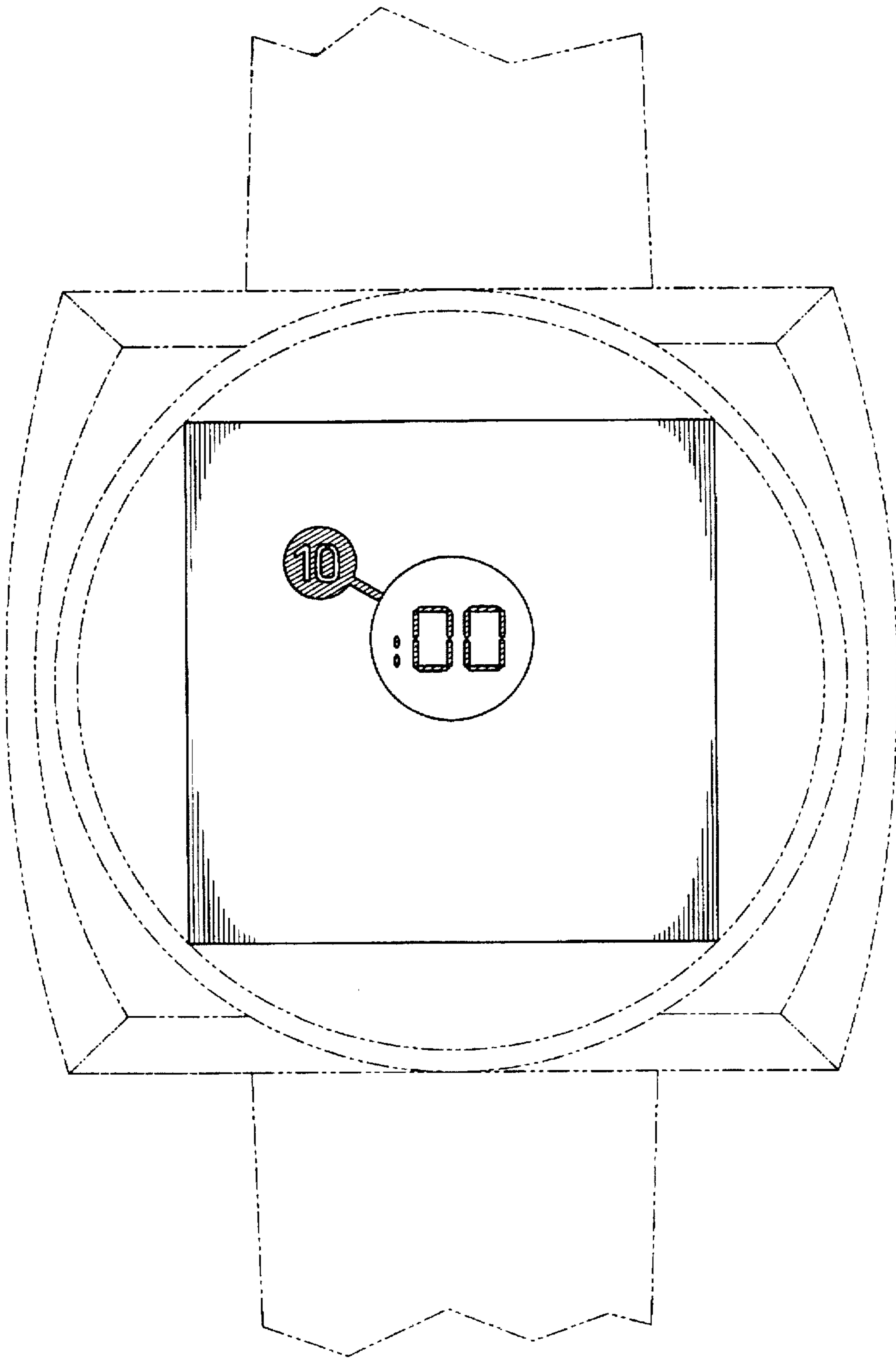


Fig. 11

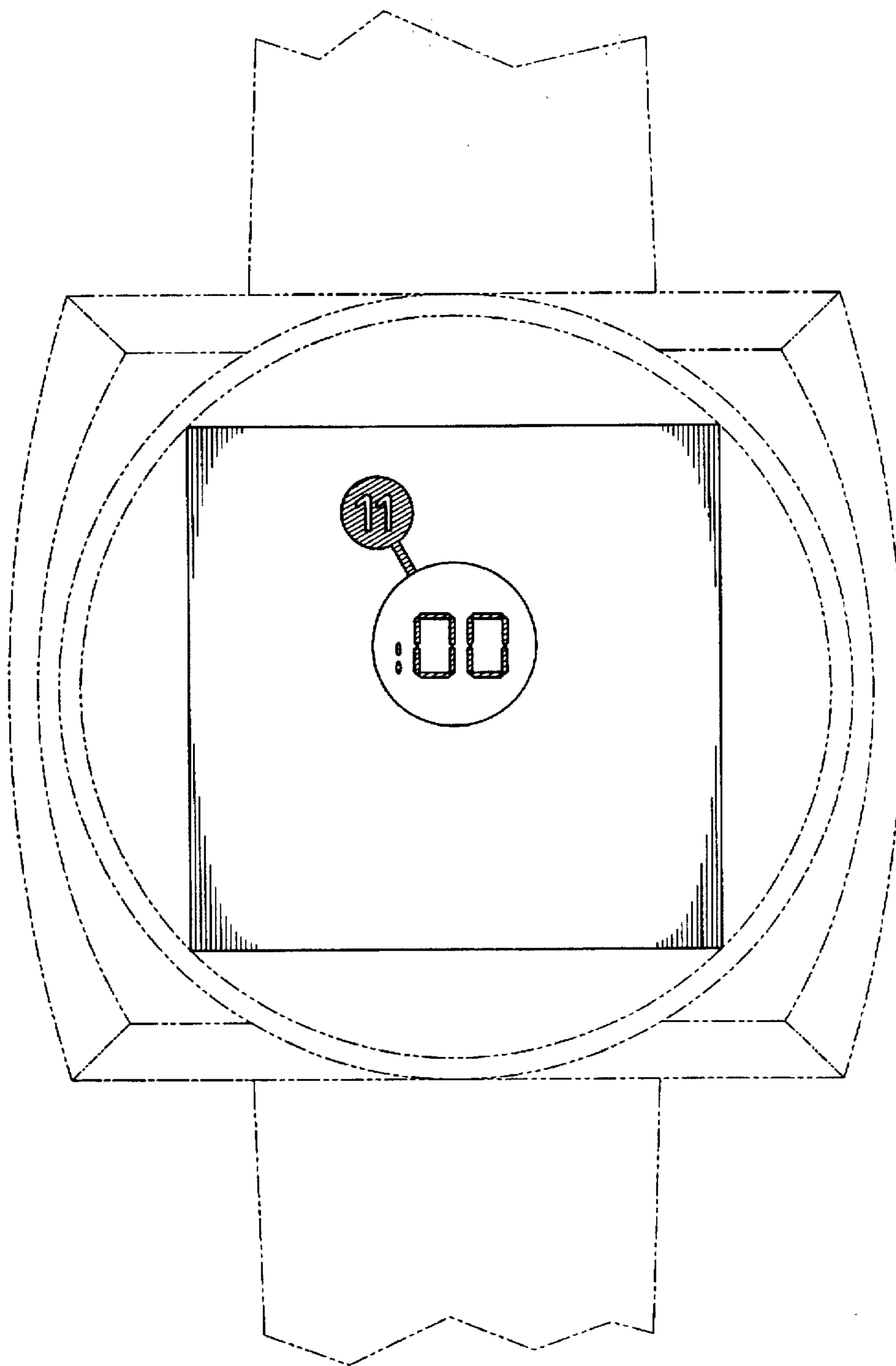


Fig. 12

UNITED STATES PATENT AND TRADEMARK OFFICE
CERTIFICATE OF CORRECTION

PATENT NO. : Des. 392,632
DATED : Mar. 24, 1998
INVENTOR(S) : R.B. Speigel

It is certified that error appears in the above-identified patent and that said Letters Patent is hereby corrected as shown below:

<u>COLUMN</u>	<u>LINE</u>	
Item [22]	Header, 2nd line	"Spiegel" should read --Speigel--
Item [75] Pg. 1, col. 1	Inventor	"Spiegel" should read --Speigel--
Pg. 1, col. 2	Attorney, Agent or Firm	"O'Conner" should read --O'Connor--

Signed and Sealed this
Eleventh Day of August 1998



Attest:

BRUCE LEHMAN

Attesting Officer

Commissioner of Patents and Trademarks