



US00D392631S

United States Patent [19]
Paterson

[11] **Patent Number: Des. 392,631**

[45] **Date of Patent: **Mar. 24, 1998**

[54] **ICON FOR A COMPUTER HOUSING**

[75] **Inventor: Robert W. Paterson, Seneca, S.C.**

[73] **Assignee: NCR Corporation, Dayton, Ohio**

[**] **Term: 14 Years**

[21] **Appl. No.: 20,408**

[22] **Filed: Mar. 25, 1994**

[51] **LOC (6) Cl. 14-02**

[52] **U.S. Cl. D14/114.3**

[58] **Field of Search D10/11; D19/6;
D14/114; D18/24, 27; 395/155, 157, 159**

[56] **References Cited**

U.S. PATENT DOCUMENTS

- D. 295,876 5/1988 Wells-Papanek et al. D18/27
- D. 296,218 6/1988 Wells-Papanek et al. D18/27
- D. 341,848 11/1993 Bigelow et al. D18/27

OTHER PUBLICATIONS

- Tops for Macintosh, Centram Systems West, Mac Floppy Volume icon, p. 9, 1987.
- Family Tree Maker for Windows Reference Manual, Banner Blue, Inc., enter icon buttons, p. 22, 1993.
- Microsoft MS-DOS 6.2 User's Guide, Microsoft, restore and backup icons, p. 45, 1993.
- Symbol Sourcebook, electrical precipitator and plate and frame filter symbols, p. 80, 1972.
- Microsoft Quick Results Guide, Microsoft, icons, p. 28, bullets and numbering buttons, p. 137, 1993.
- Mastering WordPerfect 5.1 for Windows, Cybex, column icon button, p. 708, 1992.

- CommWorks for Windows User's Guide, Travelling Software, Inc., icons, p. 71, 1993.
- Reunion for Windows 3.0 User's Guide, Leister Productions, child icon, p. 57, 1993.
- The Macintosh Bible, Second Edition, Goldstein & Blair, HDBackup icon, p. 38, "move out" icon, p. 636, 1988.
- Bitfax Professional for Windows Getting Started Tutorial, Bit software, send and receive icons, p. 3-23, 1993.
- Hypercard User's guide, Apple software, disk icon, p. 5, 1988.
- Calendar Creator 2.0 for Windows User's Guide, Softkey, adjustment icon, p. 115, 1993.

Primary Examiner—M. H. Tung
Attorney, Agent, or Firm—Paul J. Maginot

[57] **CLAIM**

The ornamental design for an icon for a computer housing, as shown and described.

DESCRIPTION

FIG. 1 is a front elevational view of an icon for a computer housing, the broken line drawing of a computer housing is shown for illustrative purposes only and forms no part of the claimed design;

FIG. 2 is a front perspective view of the icon for a computer housing of FIG. 1, on a reduced scale, the broken line drawing of a computer housing is shown for illustrative purposes only and forms no part of the claimed design; and, FIG. 3 is a front perspective view of the icon for a computer housing of FIG. 1, on an enlarged scale, the broken line drawing of a portion of a computer housing is shown for illustrative purposes only and forms no part of the claimed design.

1 Claim, 3 Drawing Sheets

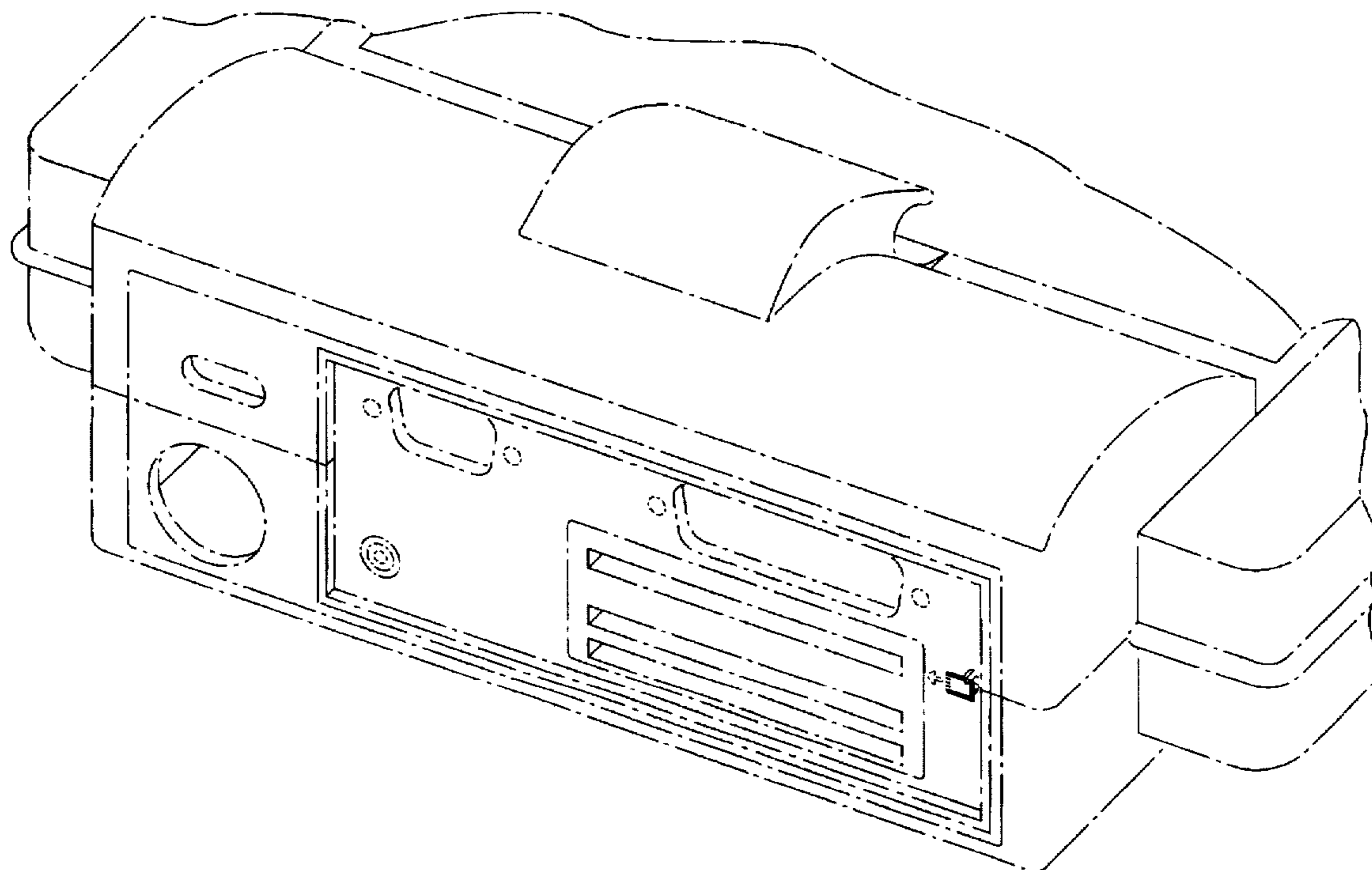
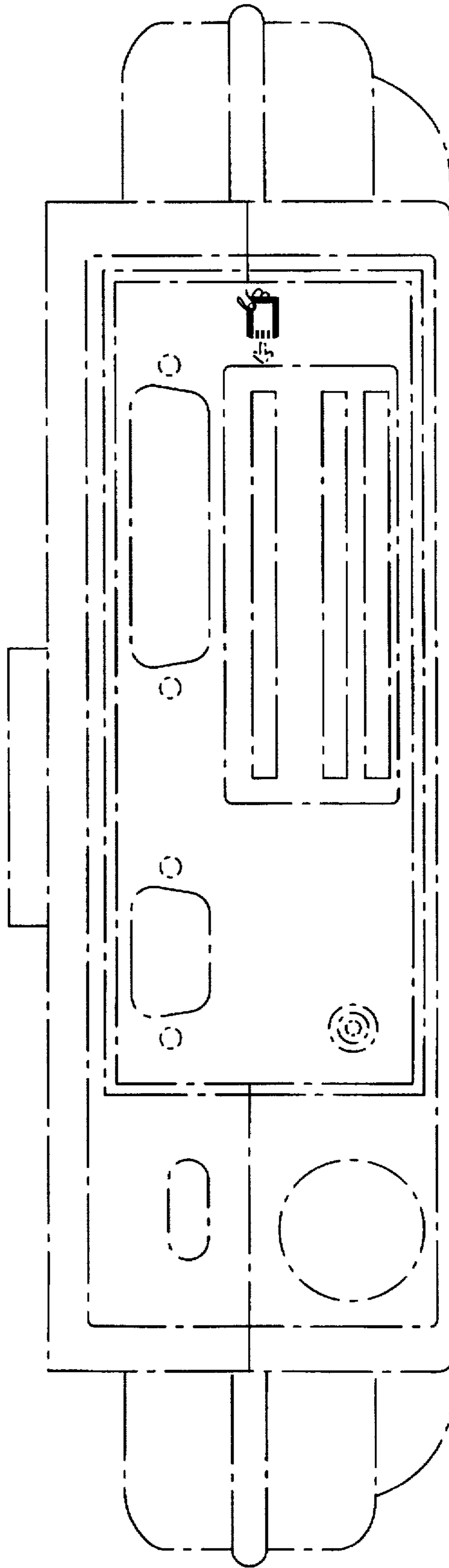


FIG. 1



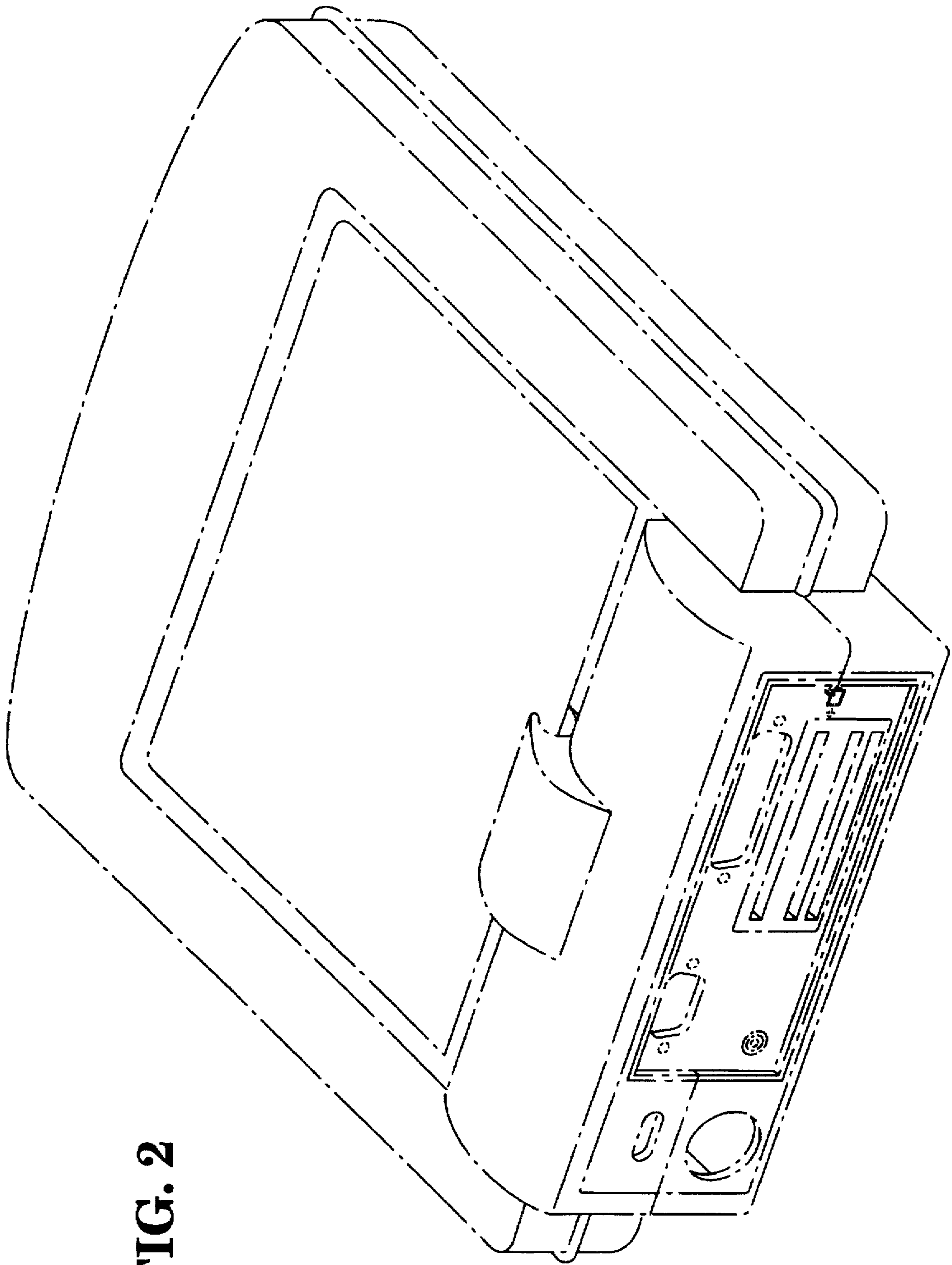


FIG. 2

FIG. 3

