



US00D392630S

United States Patent [19]
Fussell

[11] **Patent Number: Des. 392,630**

[45] **Date of Patent: **Mar. 24, 1998**

[54] **PORTABLE HARD DISK DRIVE ADAPTOR SLEEVE**

D. 337,998 8/1993 Inayama et al. D14/109
D. 358,141 5/1995 Pecone et al. D14/109
D. 364,398 11/1995 Lam D14/114

[75] **Inventor: Derrill Fussell, Scottsdale, Ariz.**

Primary Examiner—Kay H. Chin
Attorney, Agent, or Firm—John L. Rogitz

[73] **Assignee: Summatec Computer Corporation, Vista, Calif.**

[57] **CLAIM**

[**] **Term: 14 Years**

The ornamental design for a portable hard disk drive adaptor sleeve, as shown and described.

[21] **Appl. No.: 72,504**

DESCRIPTION

[22] **Filed: Jun. 19, 1997**

[51] **LOC (6) Cl. 14-02**

FIG. 1 is a perspective view of a portable hard disk adaptor sleeve showing my new design;

[52] **U.S. Cl. D14/114**

FIG. 2 is a left side elevational view thereof;

[58] **Field of Search D14/100-115;**

FIG. 3 is a top plan view thereof;

360/98.04, 69, 75, 98.05, 685; 361/756, 737, 787, 686; 439/136, 137, 140; D13/147, 164

FIG. 4 is a right side elevational view thereof;

FIG. 5 is a rear elevational view thereof;

[56] **References Cited**

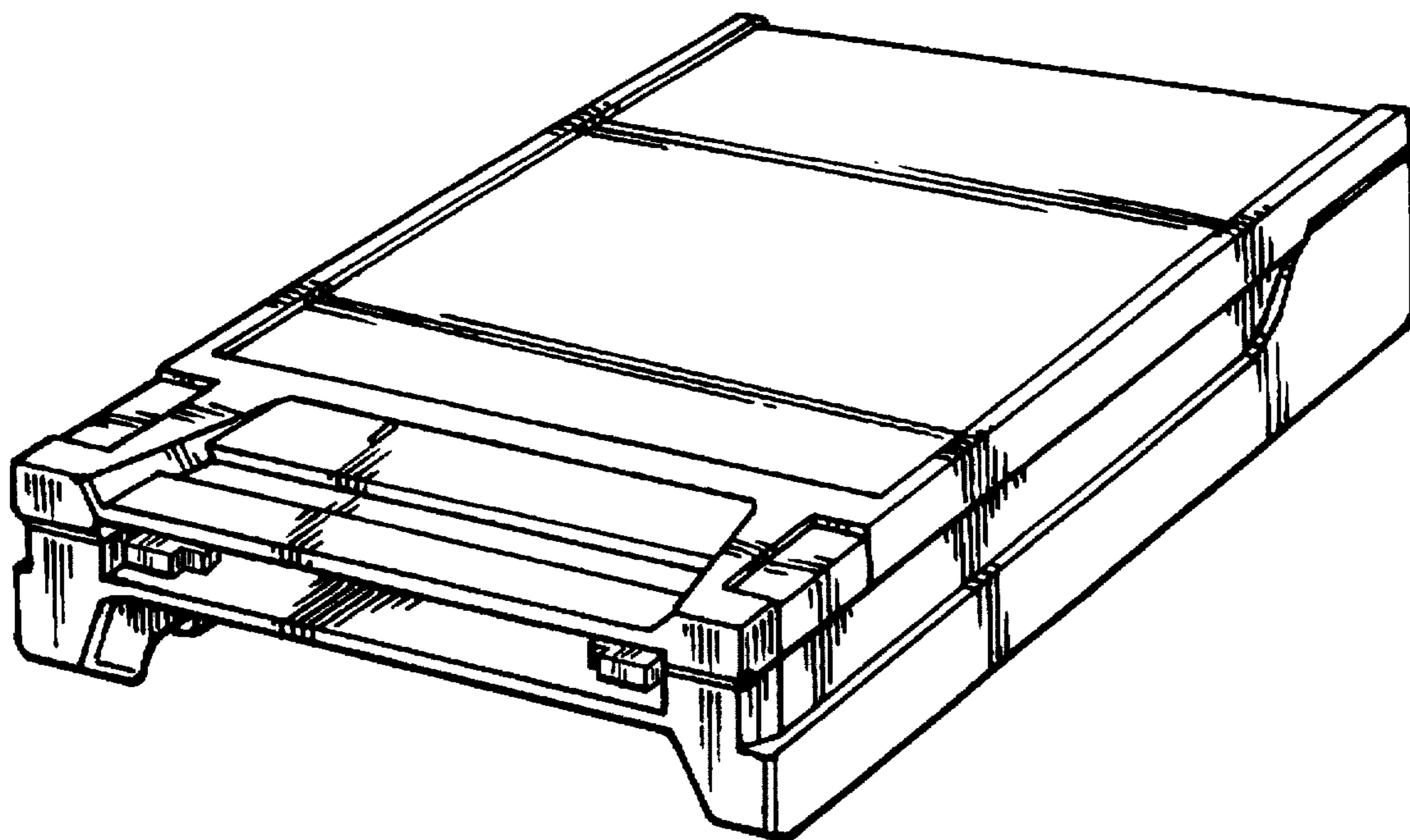
FIG. 6 is a bottom plan view thereof; and,

FIG. 7 is a front elevational view thereof.

U.S. PATENT DOCUMENTS

D. 311,737 10/1990 Westwood et al. D14/114

1 Claim, 2 Drawing Sheets



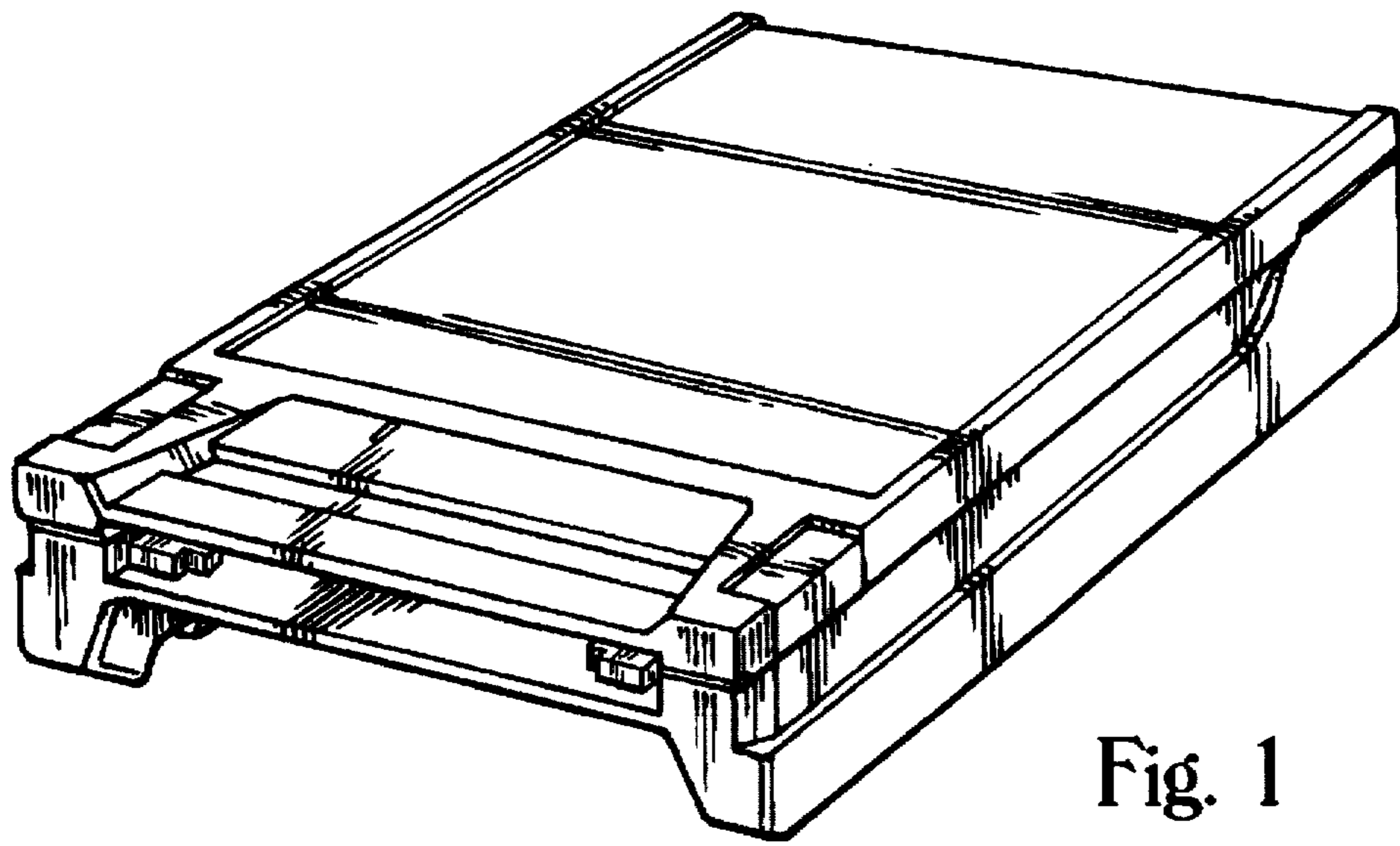


Fig. 1

Fig. 2

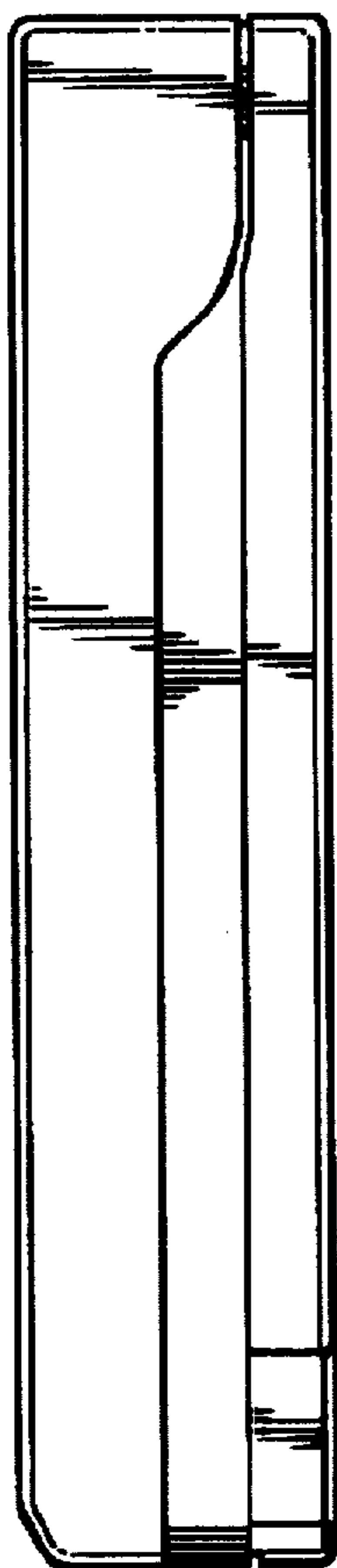


Fig. 3

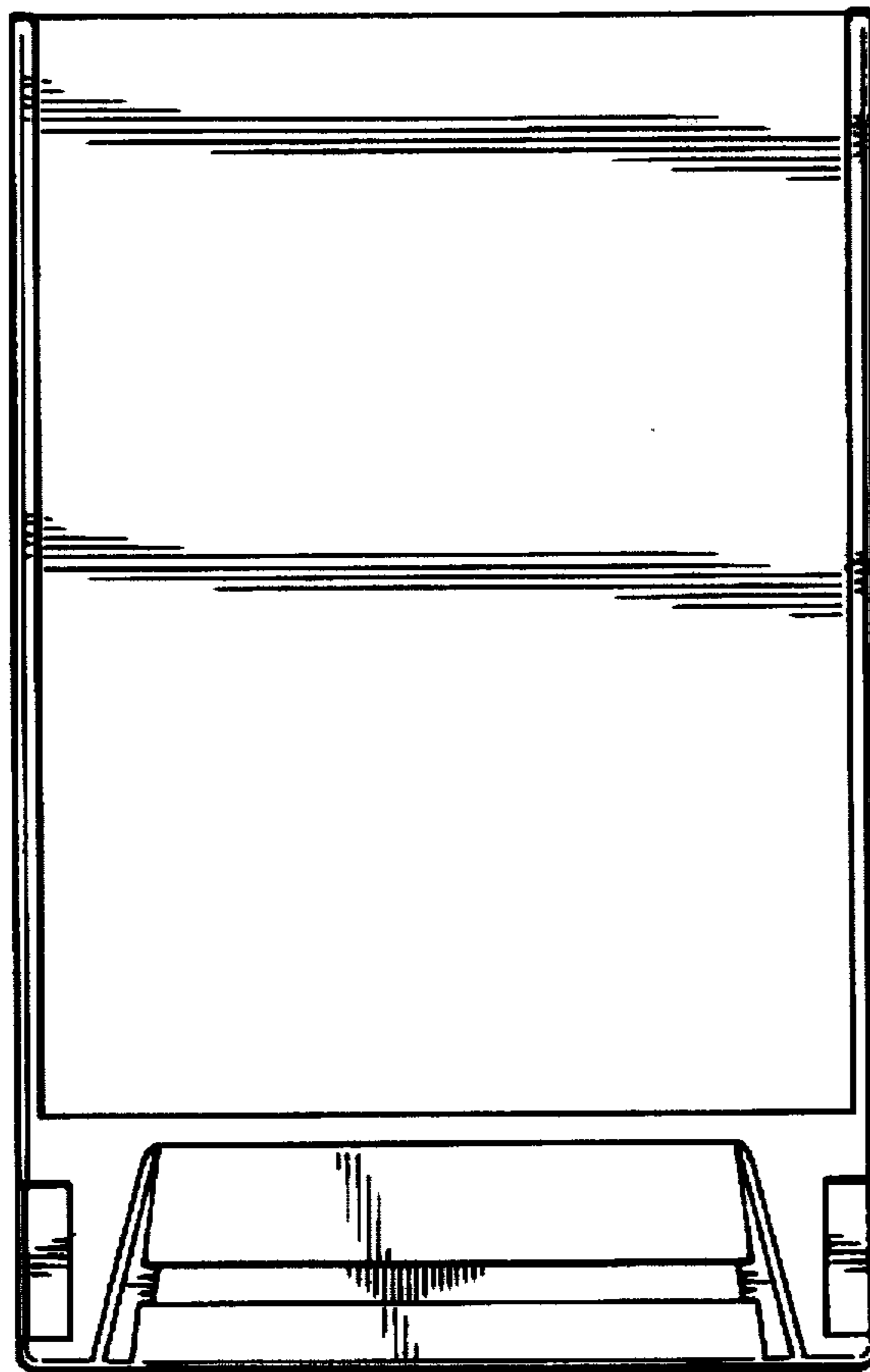


Fig. 4

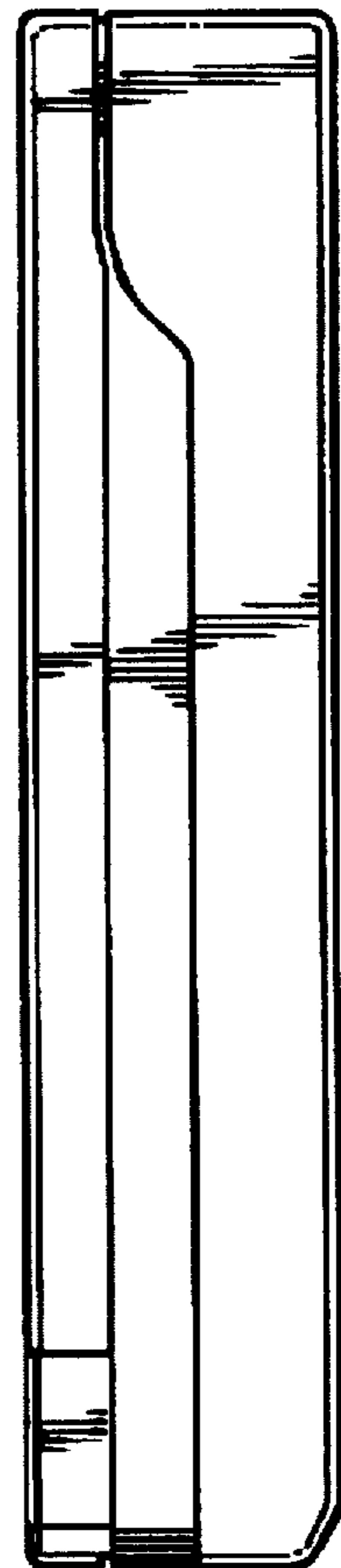


Fig. 5

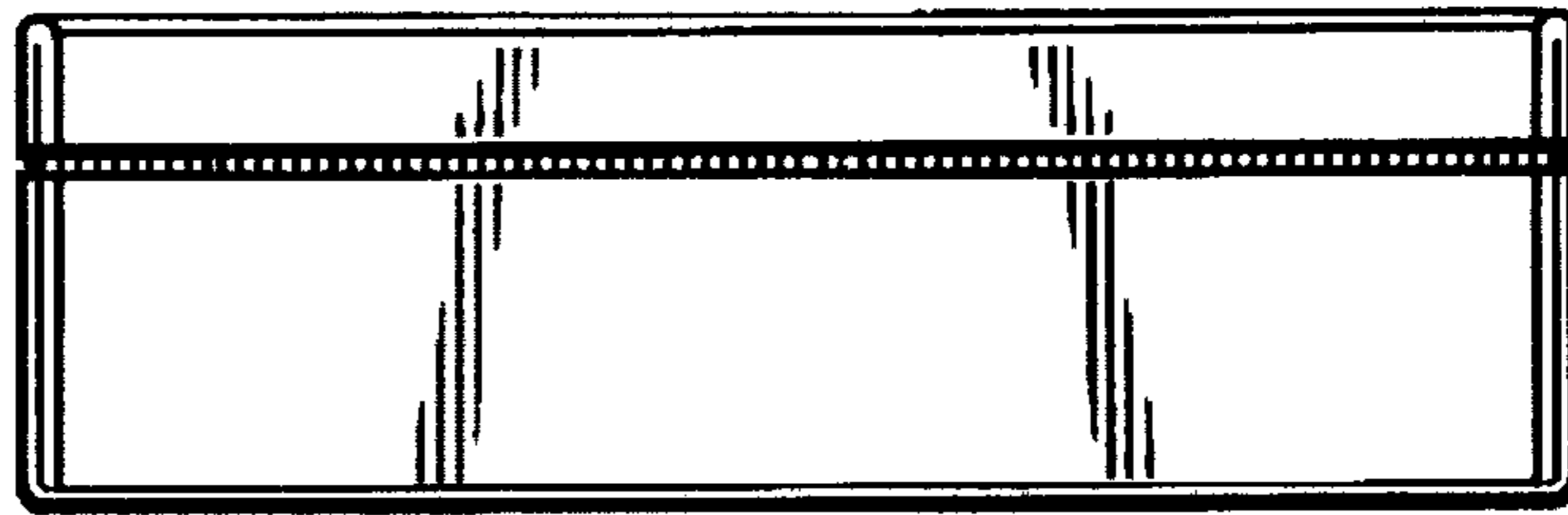


Fig. 6

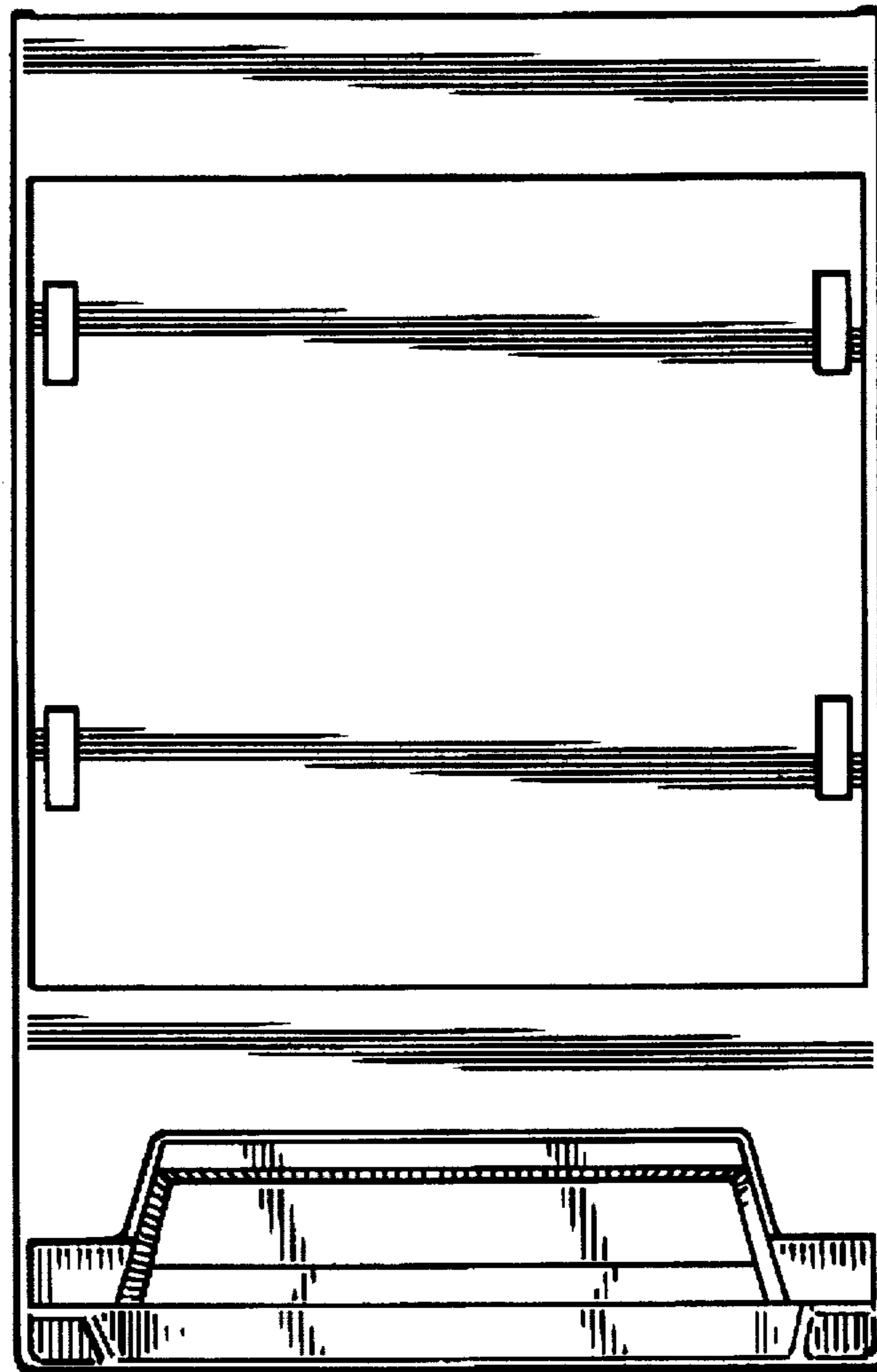


Fig. 7

