



US00D392629S

United States Patent [19]

Amafuji et al.

[11] **Patent Number: Des. 392,629**

[45] **Date of Patent: **Mar. 24, 1998**

[54] **HEAD MOUNTED DISPLAY**

[75] Inventors: **Hisashi Amafuji; Keizou Kumai**, both of Kyoto, Japan

[73] Assignee: **Shimadzu Corporation**, Kyoto, Japan

[**] Term: **14 Years**

[21] Appl. No.: **69,292**

[22] Filed: **Mar. 25, 1997**

[30] **Foreign Application Priority Data**

Oct. 17, 1996 [JP] Japan 8-31204

[51] **LOC (6) Cl.** **14-02**

[52] **U.S. Cl.** **D14/114; D14/124; D21/240; D16/309**

[58] **Field of Search** D14/113, 114, D14/124, 205, 206, 207; D16/309, 130; D29/100, 103, 110, 112, 122; D21/240; D2/865, 866; 359/407, 431, 480, 630; 2/209, 2, 12; D6/300; D12/187; 434/38, 44

[56] **References Cited**

U.S. PATENT DOCUMENTS

D. 226,077	1/1973	Strohmeier	D12/187
D. 300,476	3/1989	Sestak	D16/309
D. 301,644	6/1989	Sestak	D16/309
D. 334,557	4/1993	Hunter et al.	D14/114
D. 338,514	8/1993	Holmes	D21/240
D. 371,549	7/1996	Ronzani et al.	D14/114
D. 375,495	11/1996	Mallness et al.	D14/124
D. 380,032	6/1997	Kobayashi et al.	D21/240
4,970,589	11/1990	Hanson et al.	D14/113 X
5,138,722	8/1992	Urella et al.	2/209

Primary Examiner—Paula A. Mortimer
Attorney, Agent, or Firm—Banner & Witcoff, Ltd.

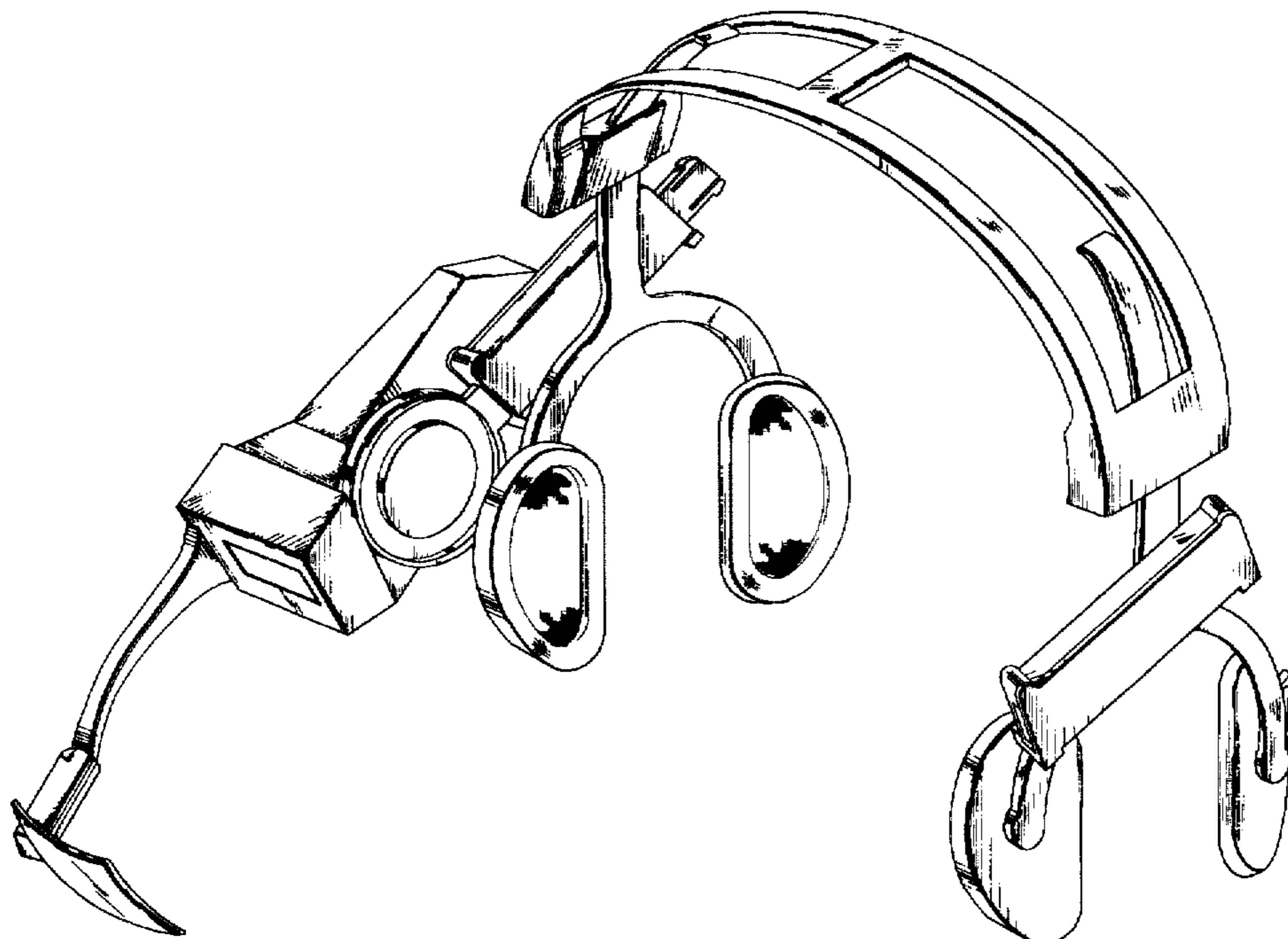
[57] **CLAIM**

The ornamental design for a head mounted display, as shown and described.

DESCRIPTION

FIG. 1 is a top front and right side perspective view of a head mounted display showing our new design;
 FIG. 2 is a front view thereof;
 FIG. 3 is a back view thereof;
 FIG. 4 is a top plan view thereof;
 FIG. 5 is a bottom plan view thereof;
 FIG. 6 is a left side view thereof;
 FIG. 7 is a right side view thereof;
 FIG. 8 is a front view thereof when the position of display unit is changed;
 FIG. 9 is a back view thereof when the position of display unit is changed;
 FIG. 10 is a top plan view thereof when the position of display unit is changed;
 FIG. 11 is a bottom plan view thereof when the position of display unit is changed;
 FIG. 12 is a left side view thereof when the position of display unit is changed;
 FIG. 13 is a right side view thereof when the position of display unit is changed; and,
 FIG. 14 is a top front and right side perspective view of the head mounted display on the head.
 The broken line showing of the human form, bag, and belt in FIG. 14 is for illustrative purposes only and forms no part of the claimed design.

1 Claim, 8 Drawing Sheets



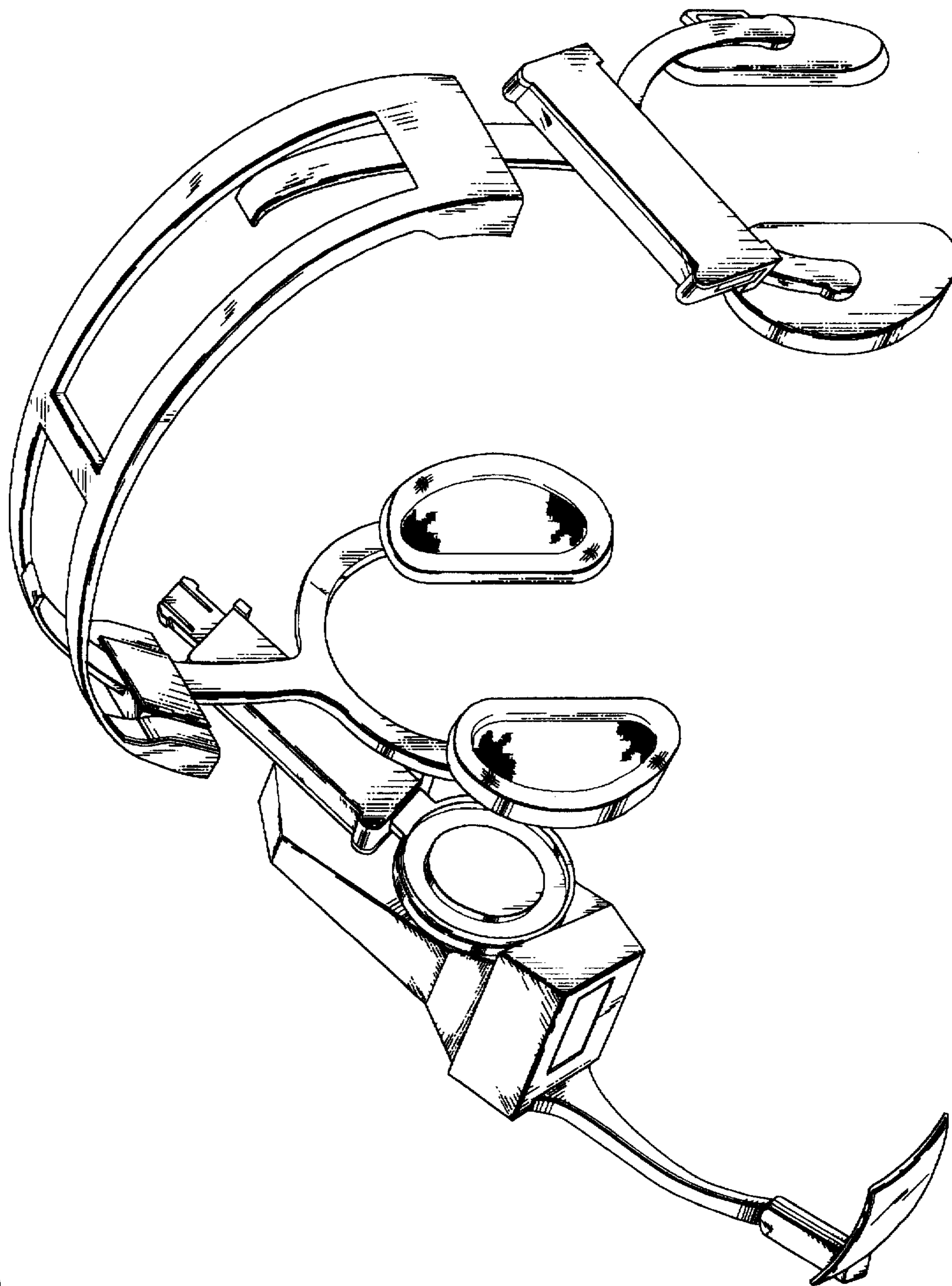


Fig.1

Fig.2

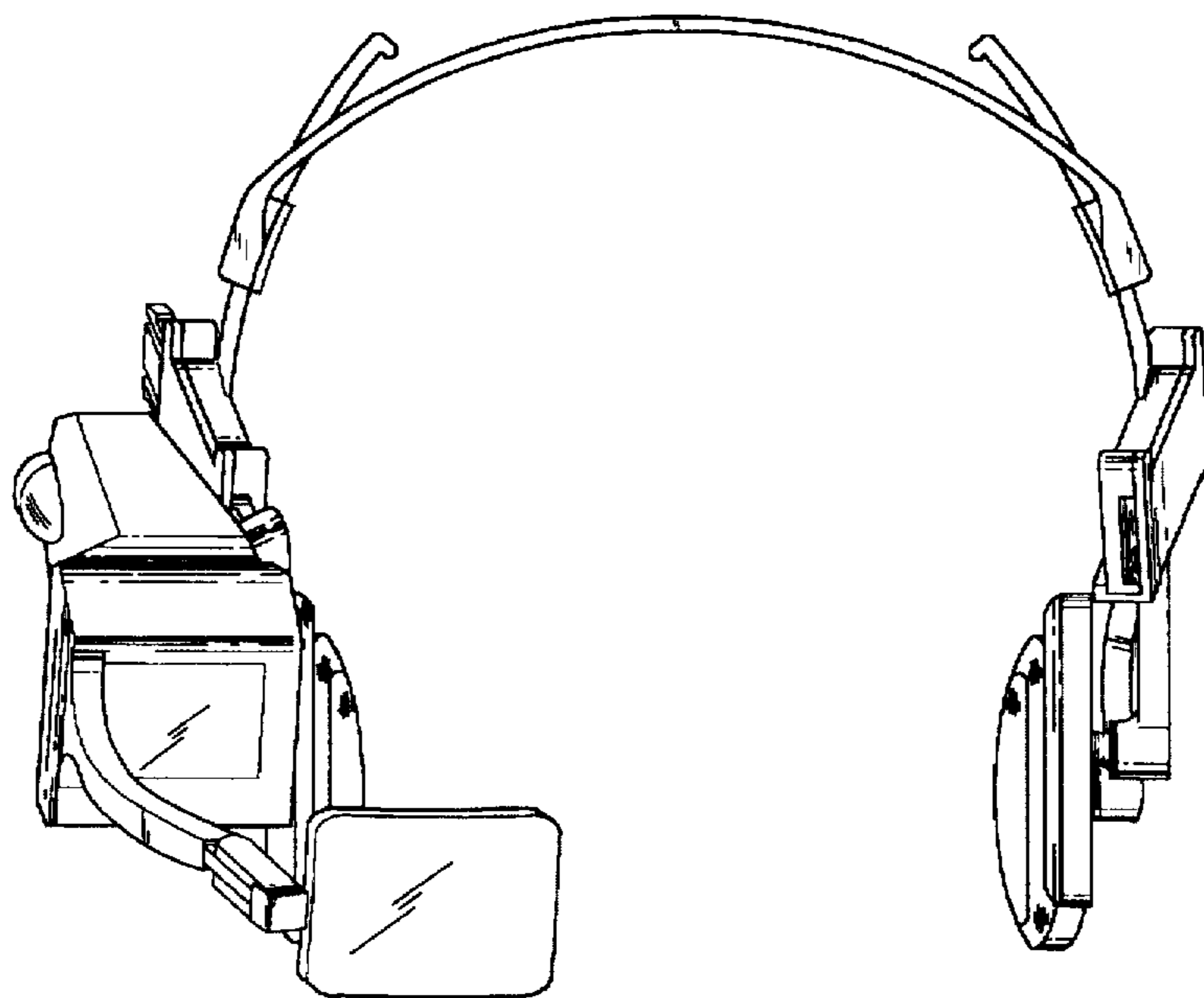


Fig.3

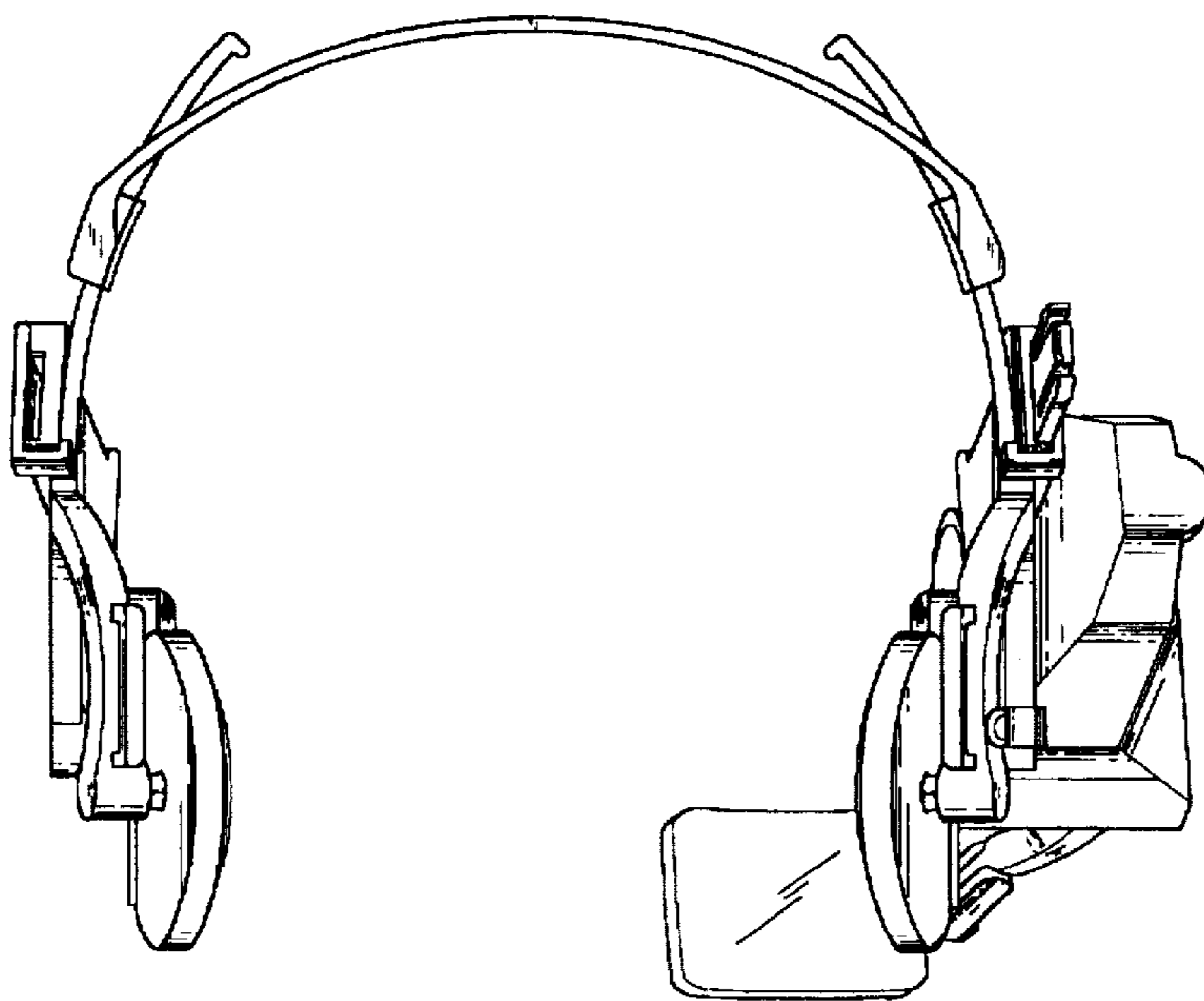


Fig.5

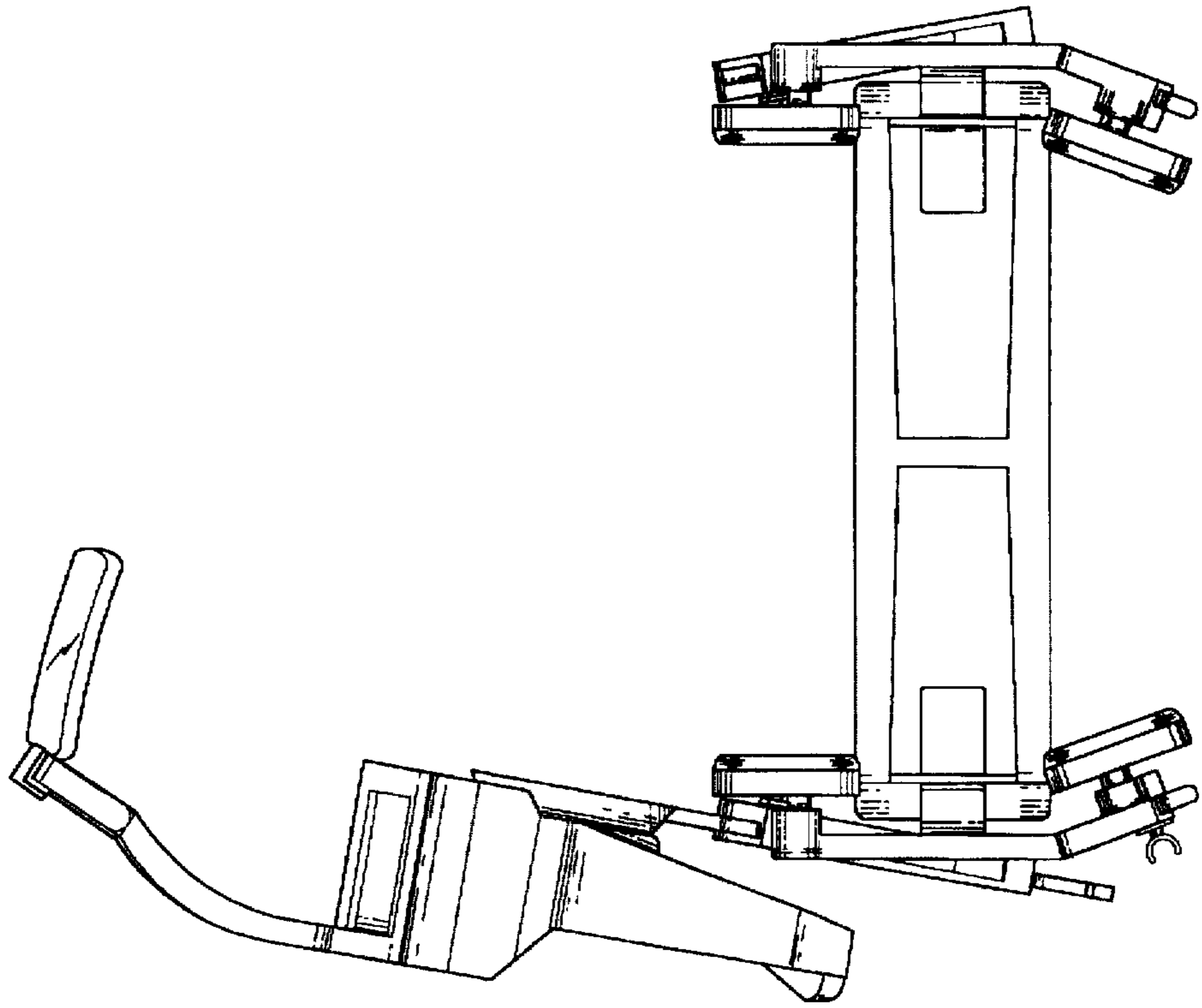


Fig.4

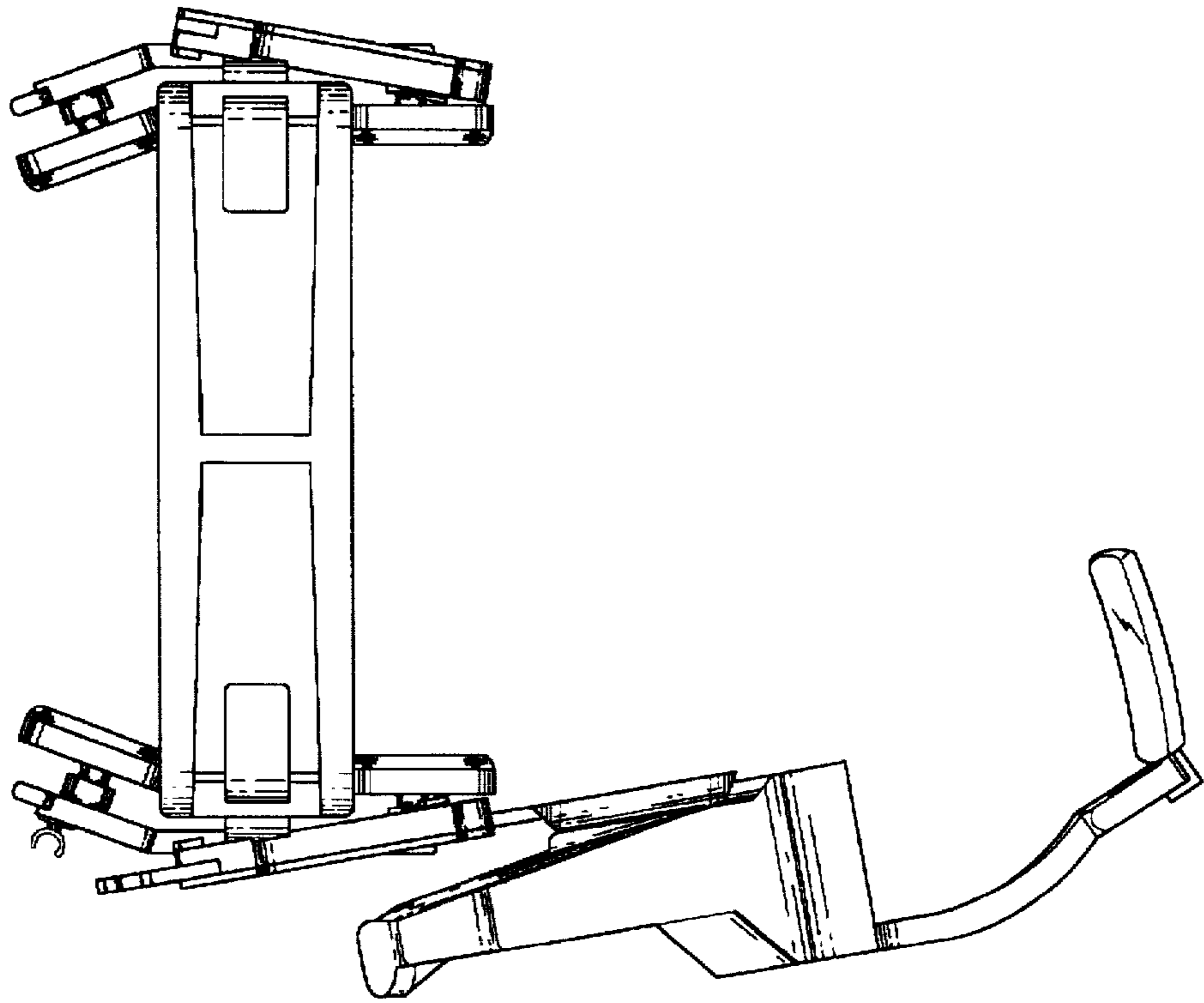


Fig.6

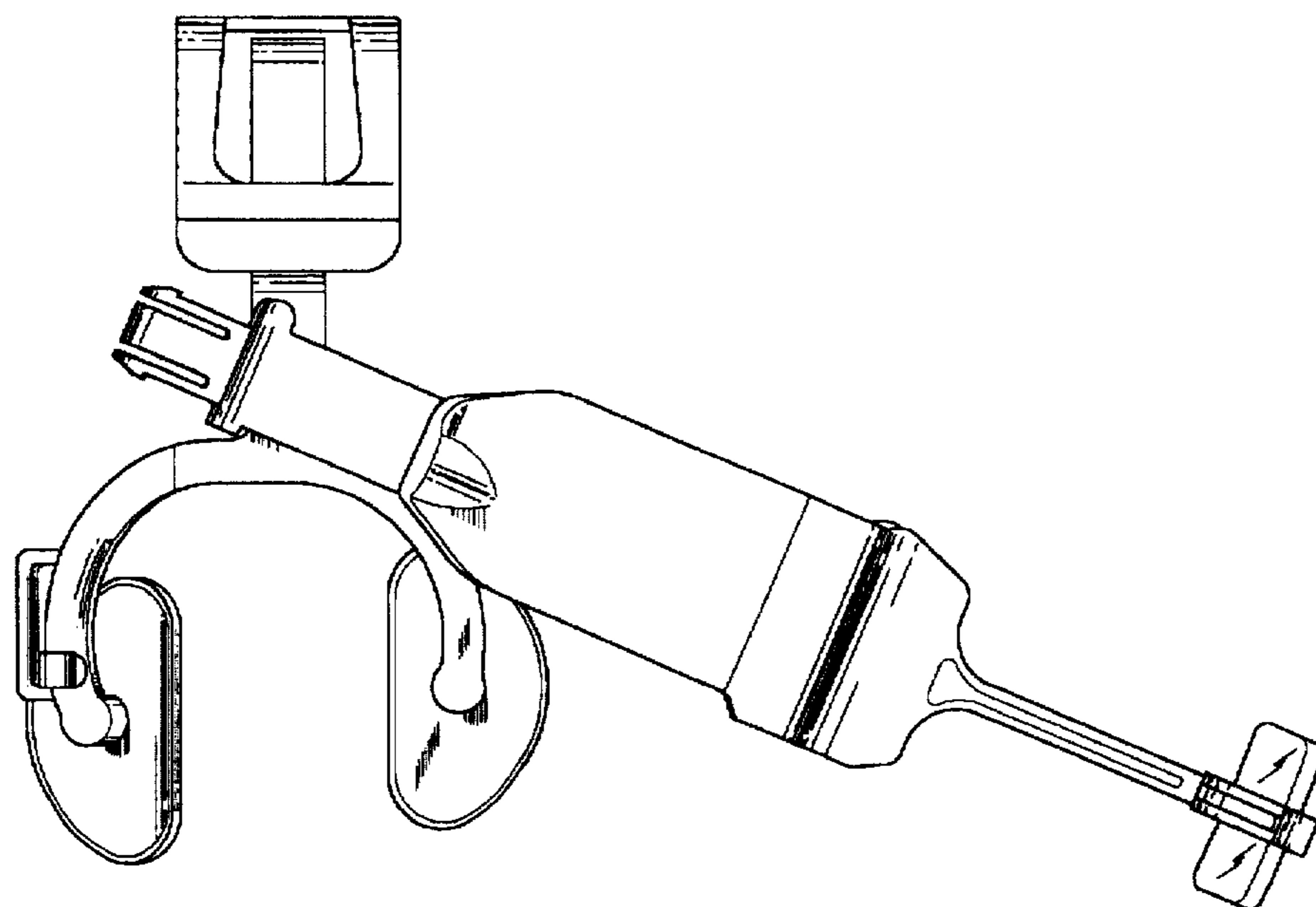


Fig.7

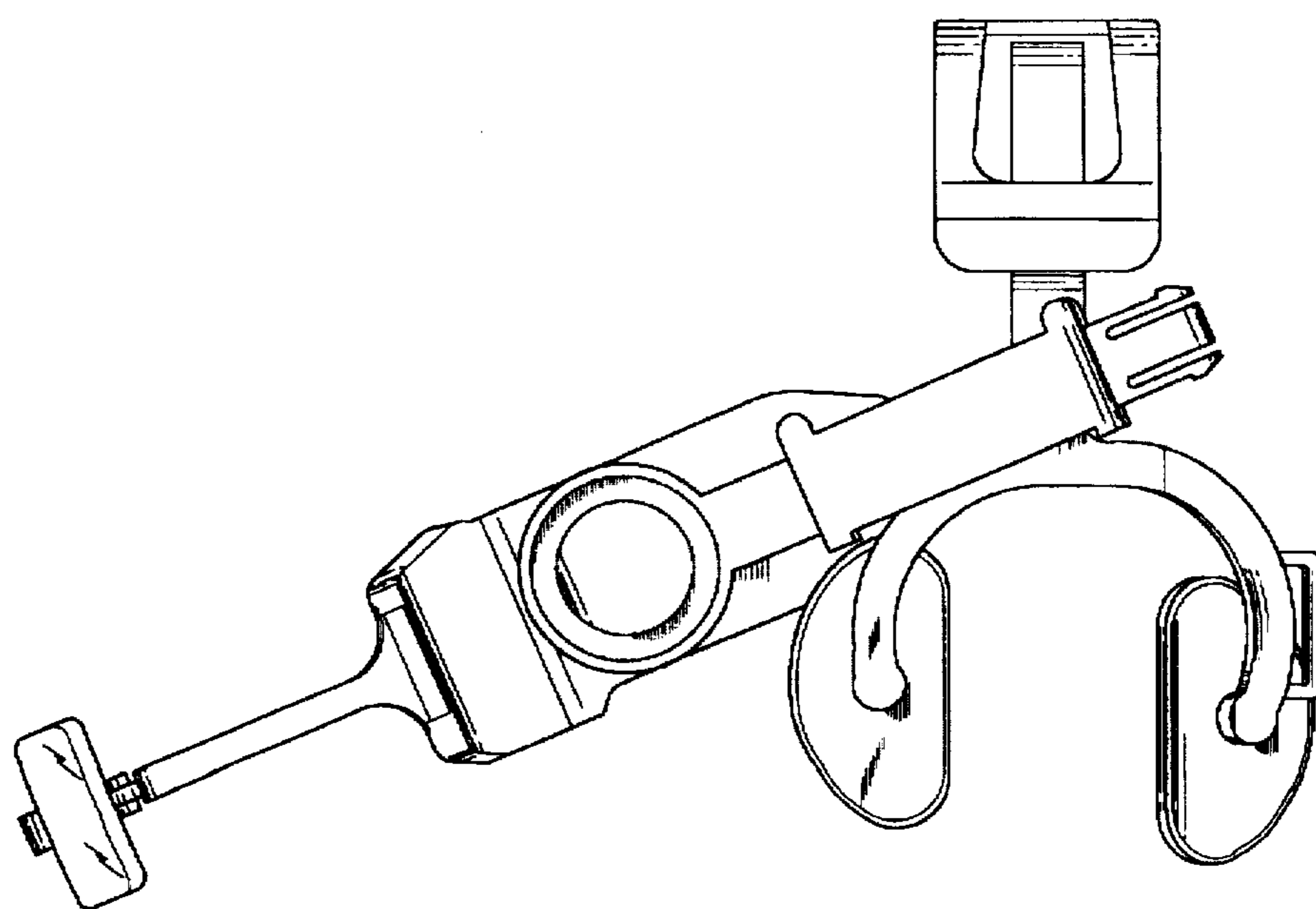


Fig.8

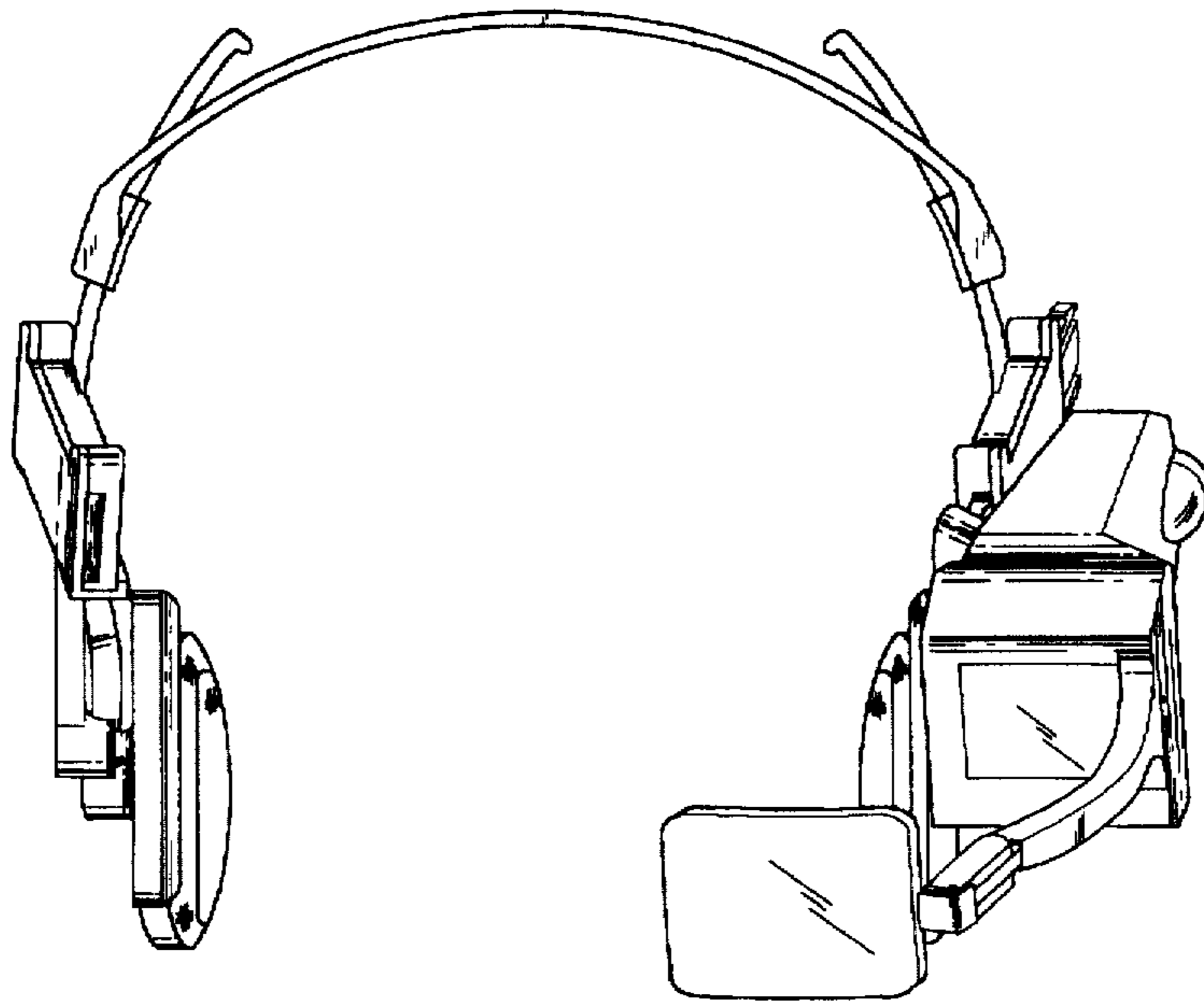


Fig.9

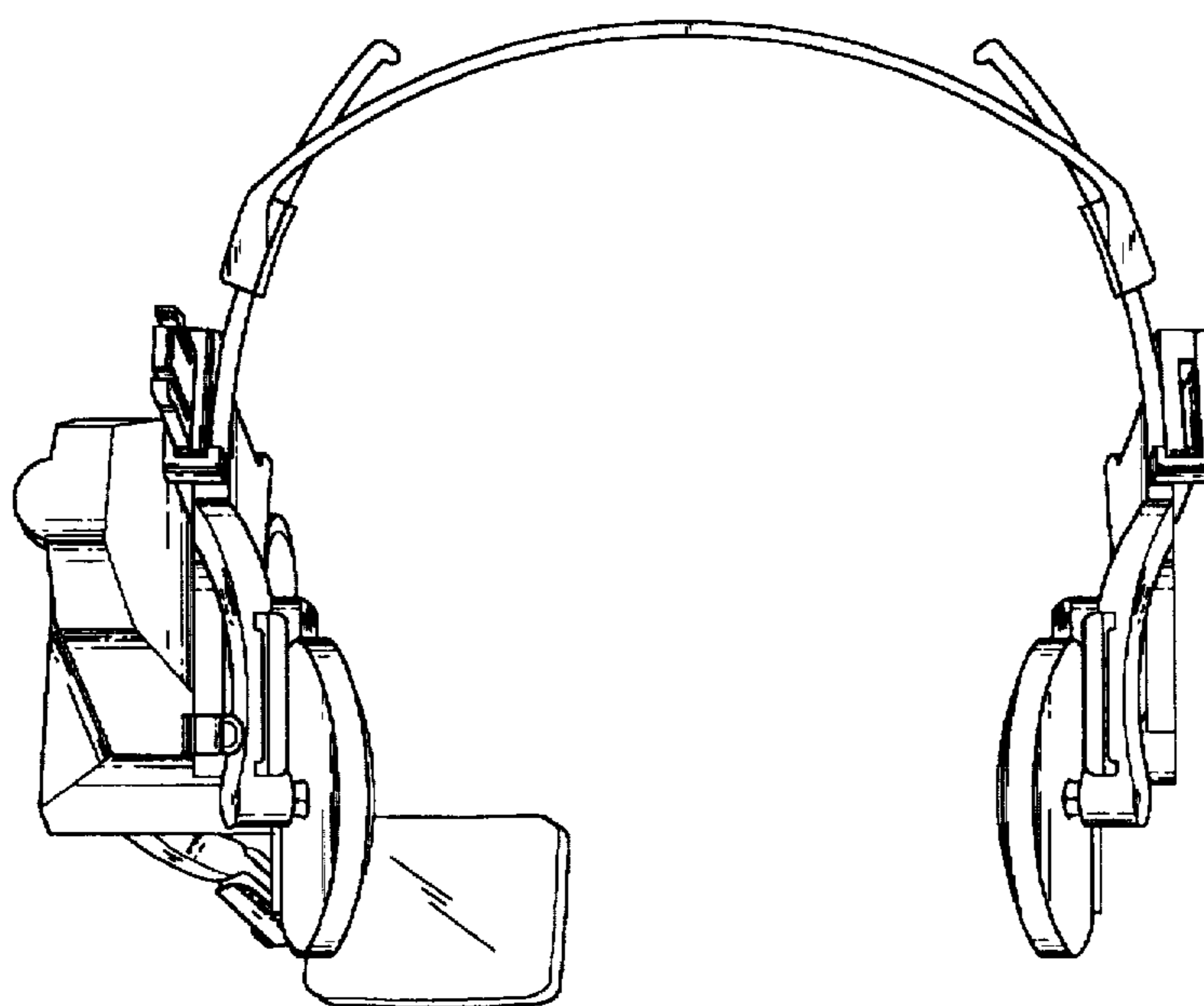


Fig.11

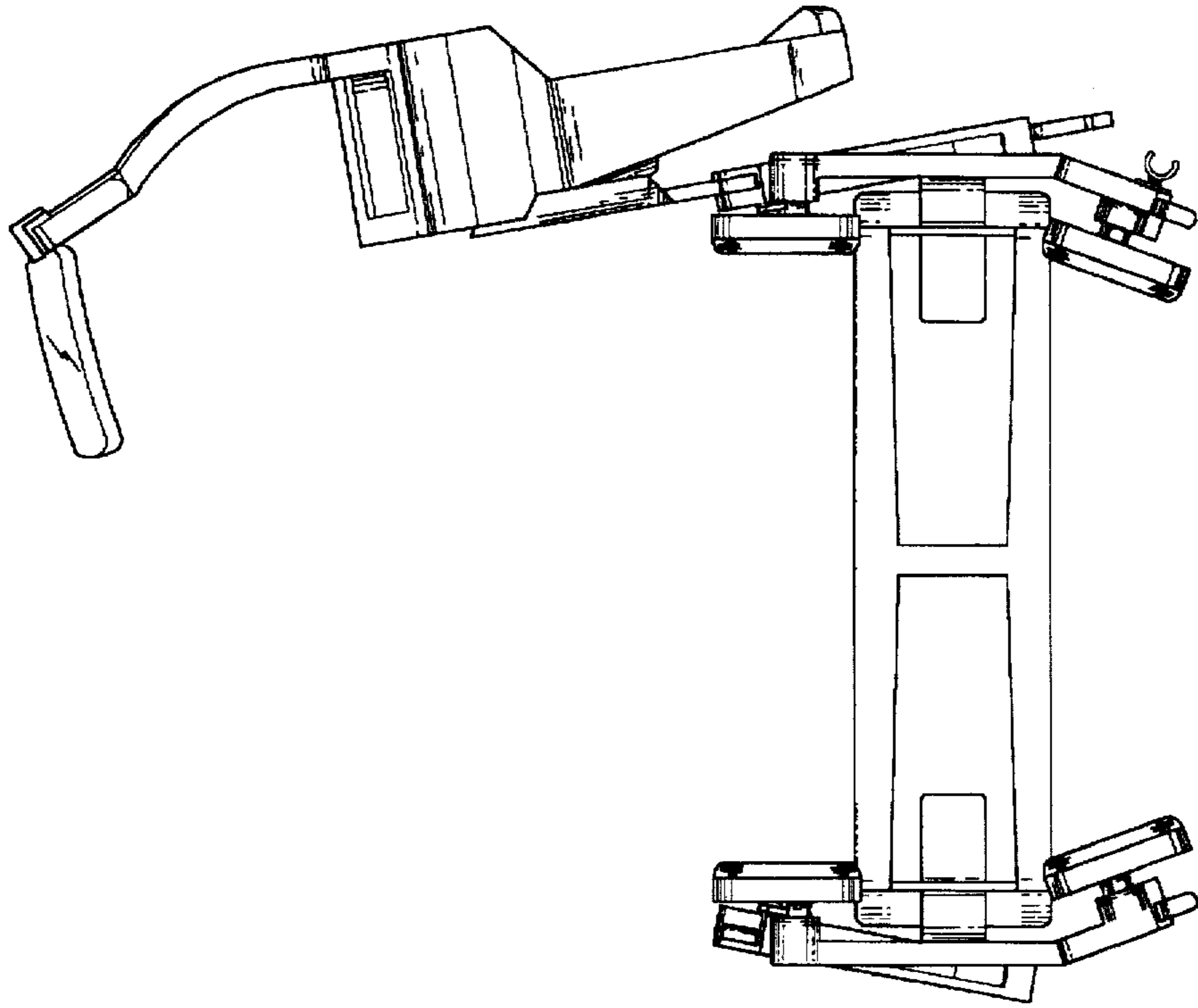


Fig.10

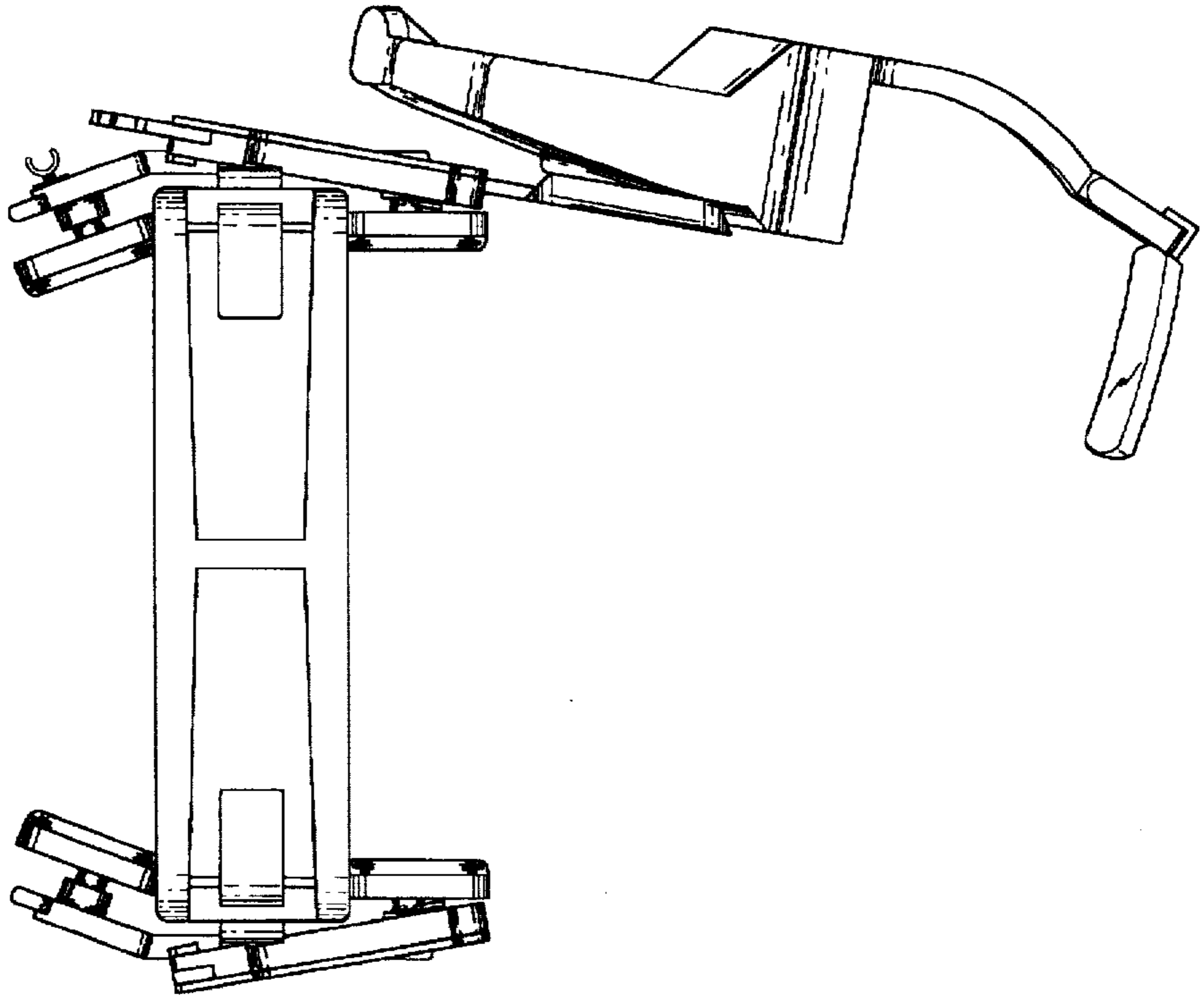


Fig.12

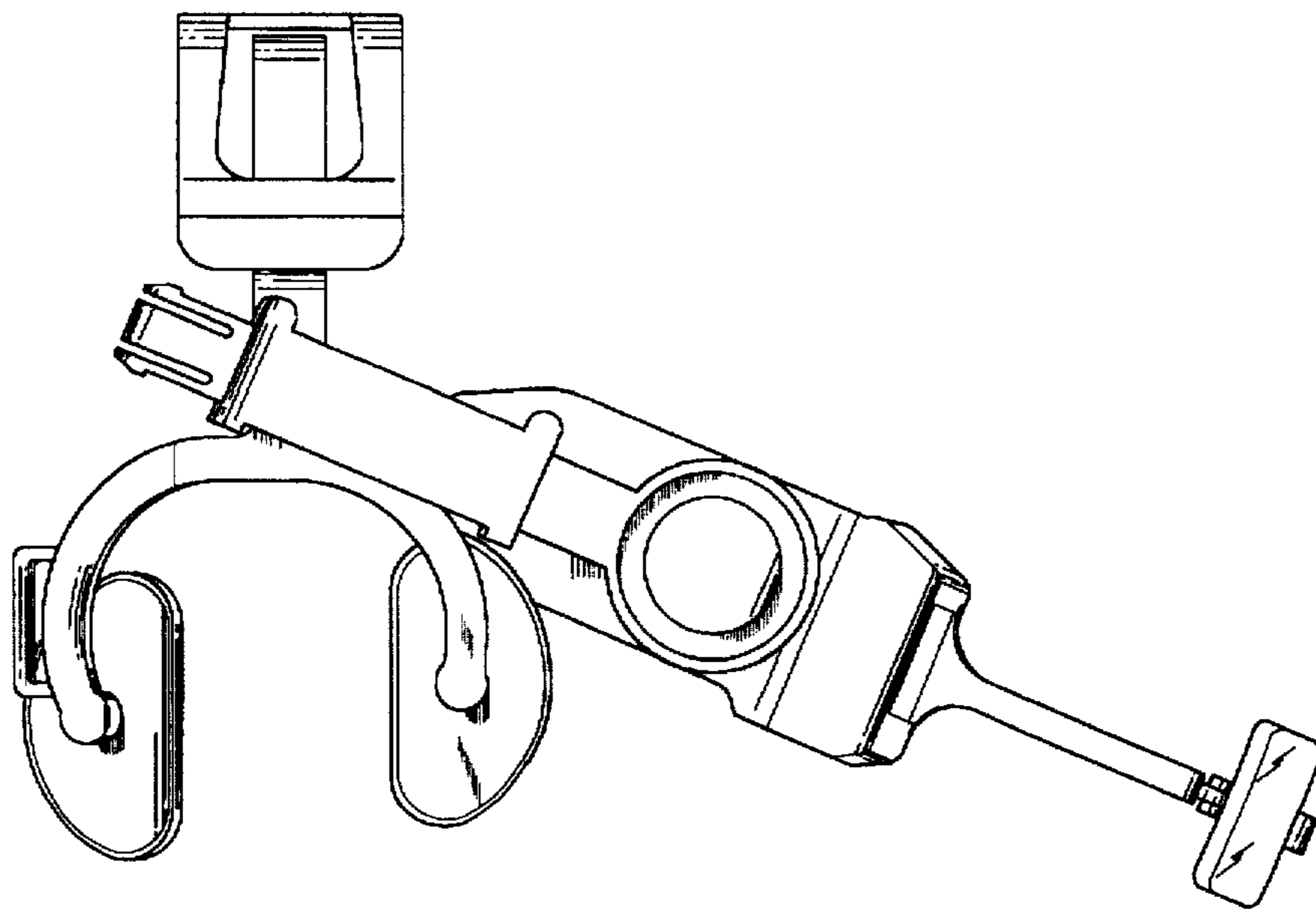


Fig.13

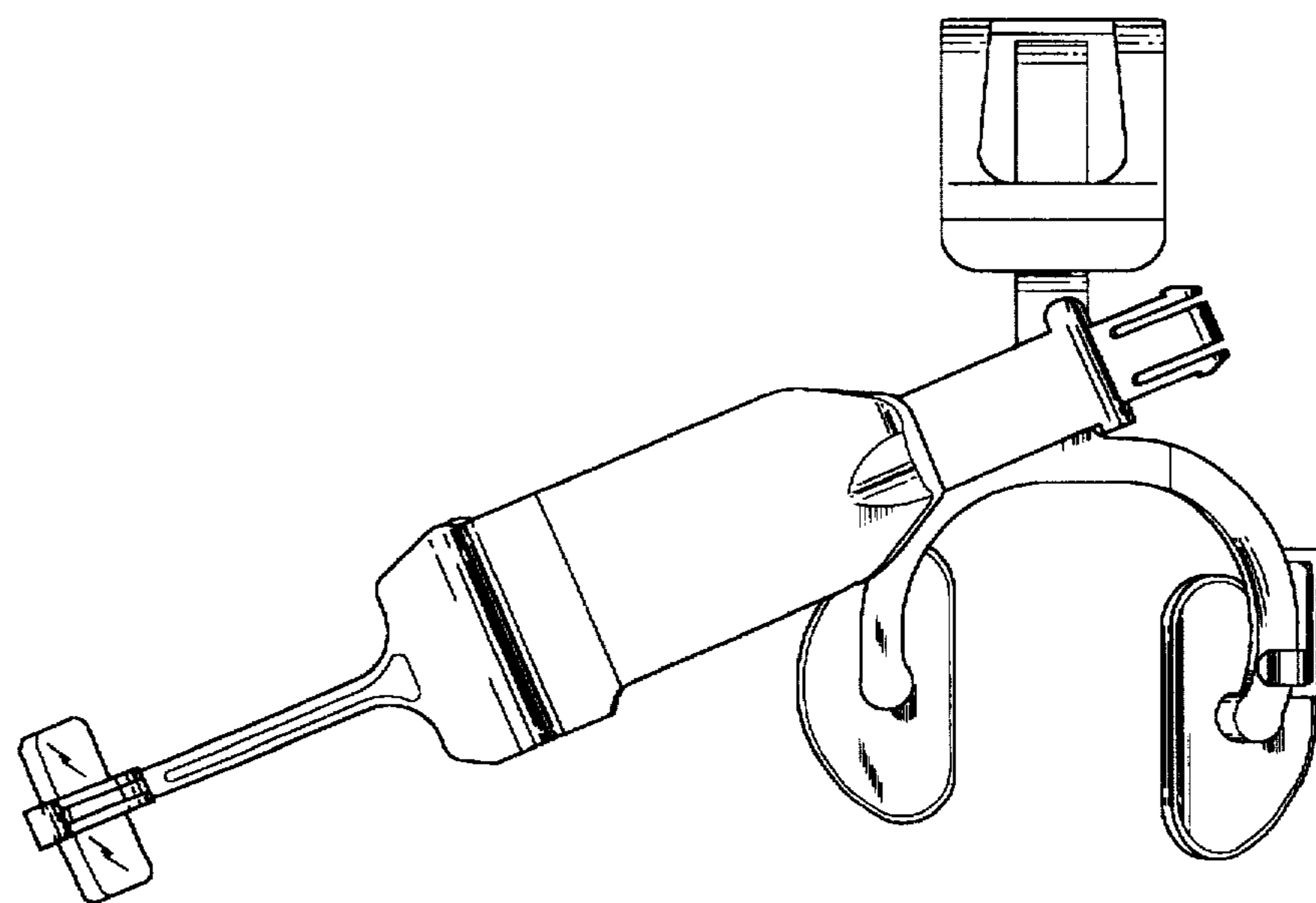


Fig.14

