

US00D392628S

**United States Patent** [19]  
**Hayashi**

[11] **Patent Number:** **Des. 392,628**  
[45] **Date of Patent:** **\*\*Mar. 24, 1998**

[54] **DISPLAY DEVICE**

[75] **Inventor:** **Katsuhiko Hayashi**, Sagamihara, Japan

[73] **Assignee:** **Fujitsu General Limited**, Japan

[\*\*] **Term:** **14 Years**

[21] **Appl. No.:** **65,616**

[22] **Filed:** **Jan. 30, 1997**

[30] **Foreign Application Priority Data**

Aug. 9, 1996 [JP] Japan ..... 8-24014

[51] **LOC (6) CL.** ..... **14-02**

[52] **U.S. Cl.** ..... **D14/113; D14/126**

[58] **Field of Search** ..... **D14/100, 101, D14/106, 113, 124-129; 248/917-924; 345/104, 133, 156, 168, 173, 87, 901-905**

[56] **References Cited**

**U.S. PATENT DOCUMENTS**

D. 319,230 8/1991 Sugiyama ..... D14/126 X  
D. 326,235 5/1992 Franzen ..... D14/100

*Primary Examiner*—Freda Nunn  
*Attorney, Agent, or Firm*—Adams & Wilks

[57] **CLAIM**

The ornamental design for a display device, as shown and described.

**DESCRIPTION**

FIG. 1 is a front top perspective view of a display device showing my new design;

FIG. 2 is a front elevational view thereof;

FIG. 3 is a top plan view thereof;

FIG. 4 is a left side elevational view thereof;

FIG. 5 is a right side elevational view thereof;

FIG. 6 is a rear elevational view thereof; and,

FIG. 7 is a bottom plan view thereof.

**1 Claim, 2 Drawing Sheets**

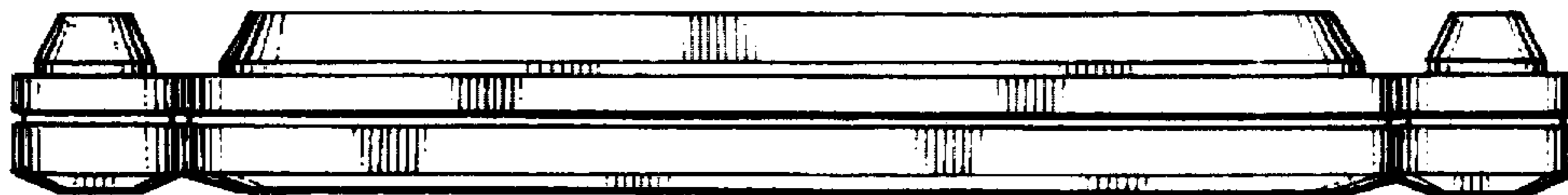
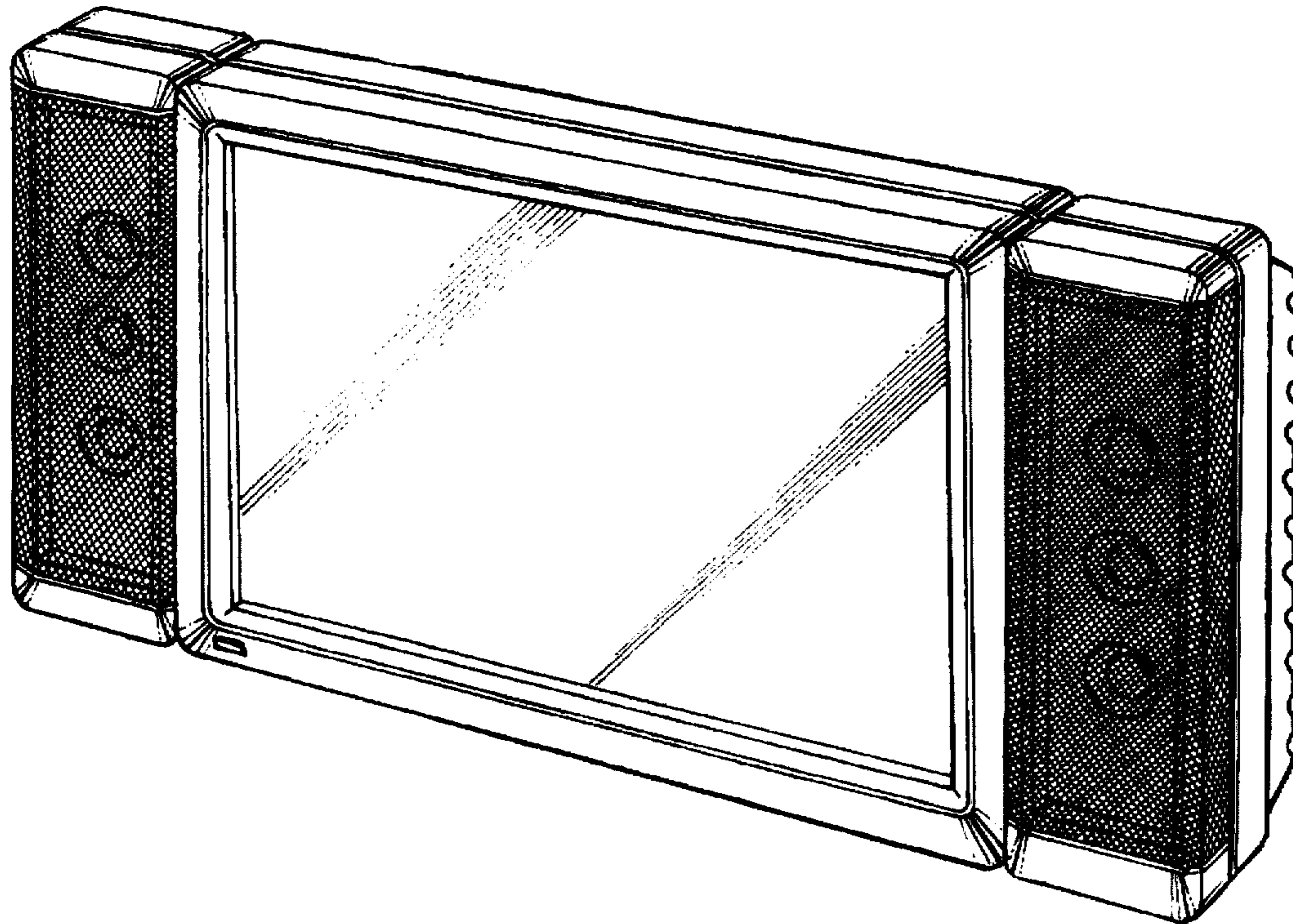


FIG. 1

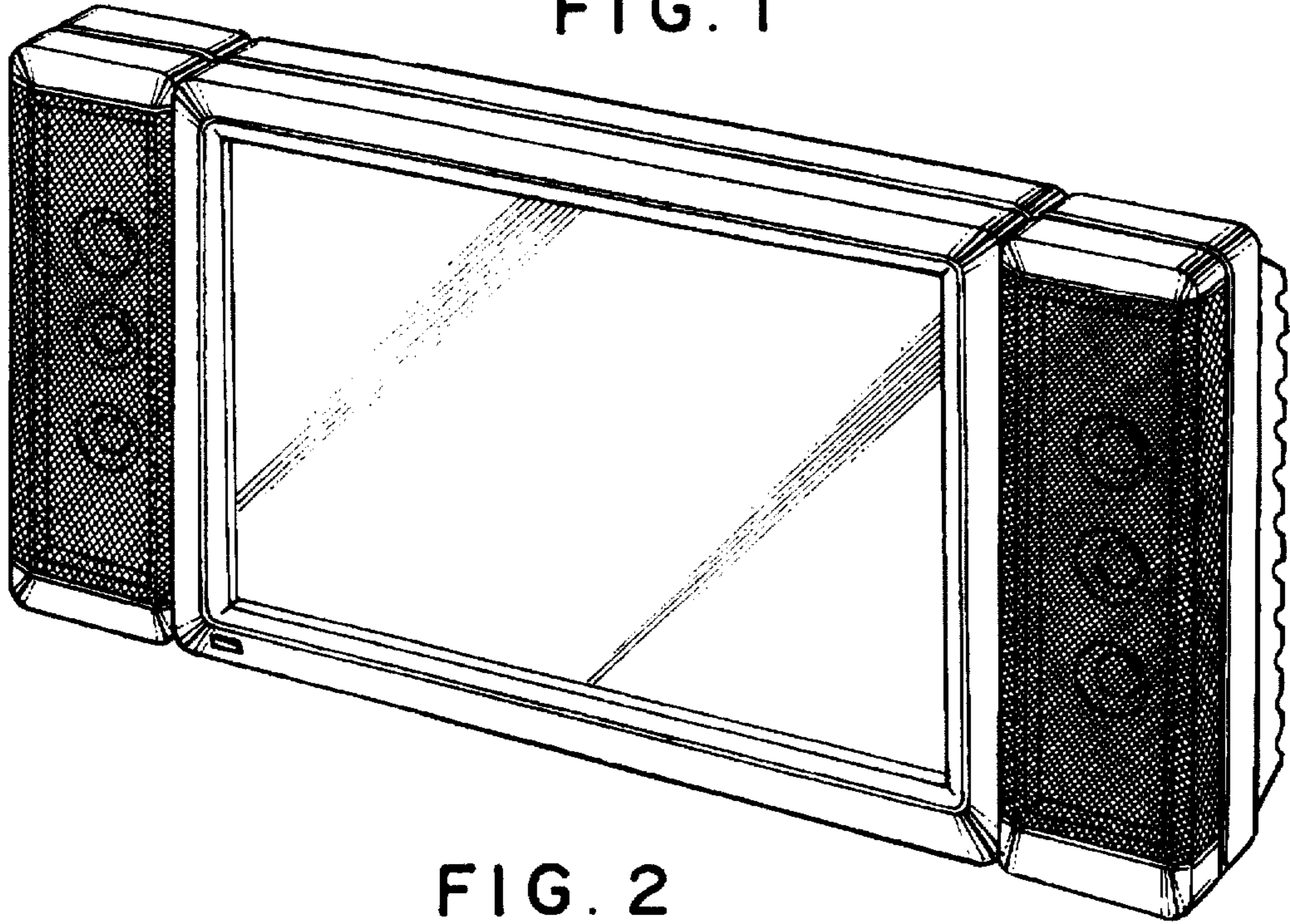


FIG. 2

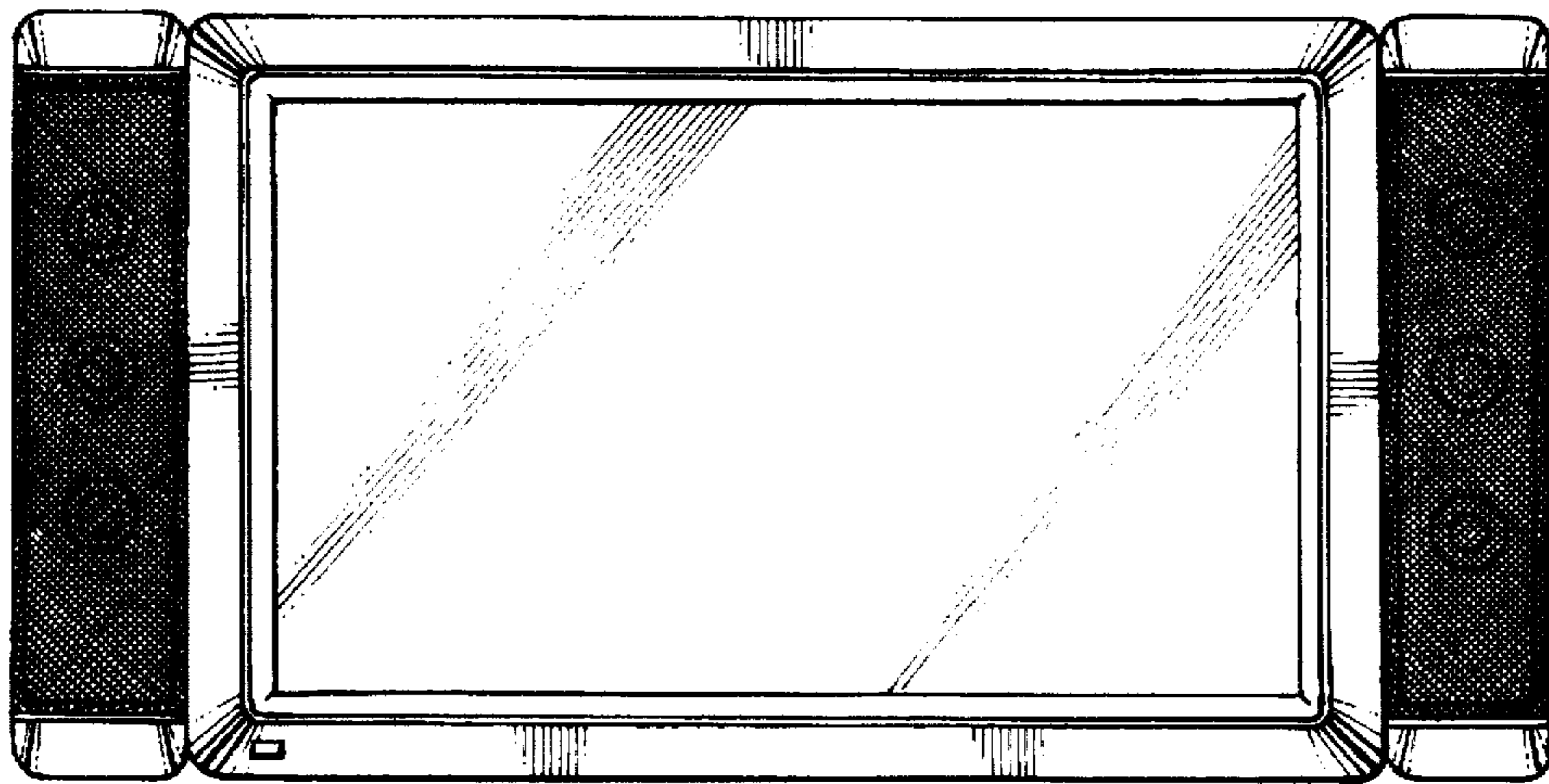


FIG. 3

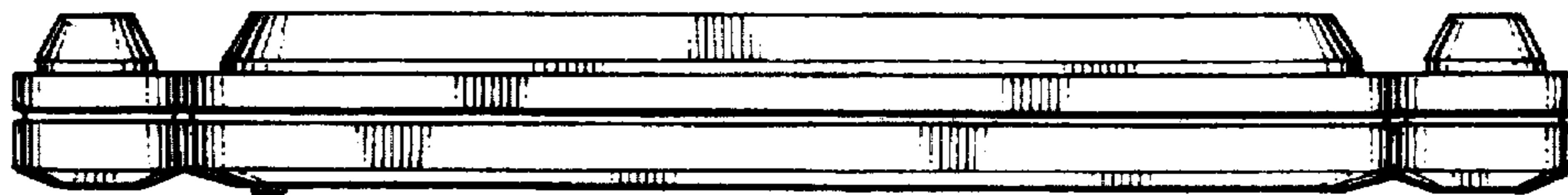




FIG. 4

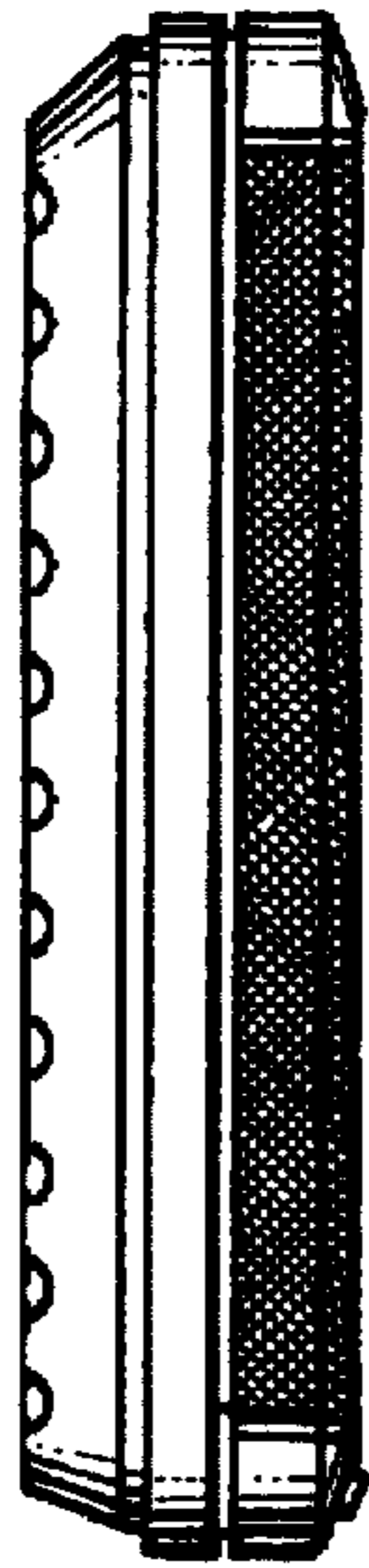


FIG. 5

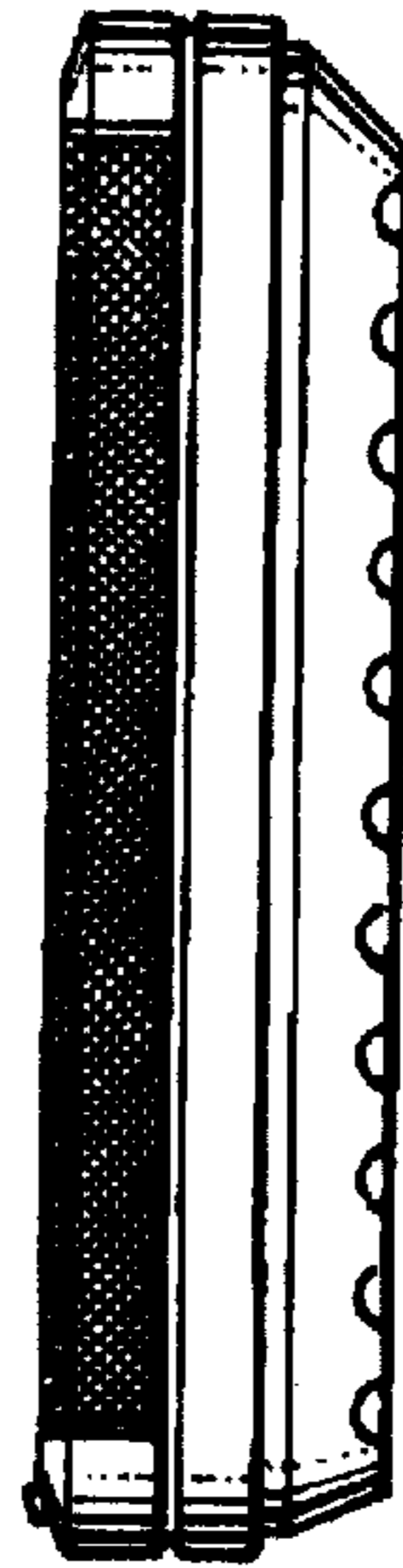


FIG. 6

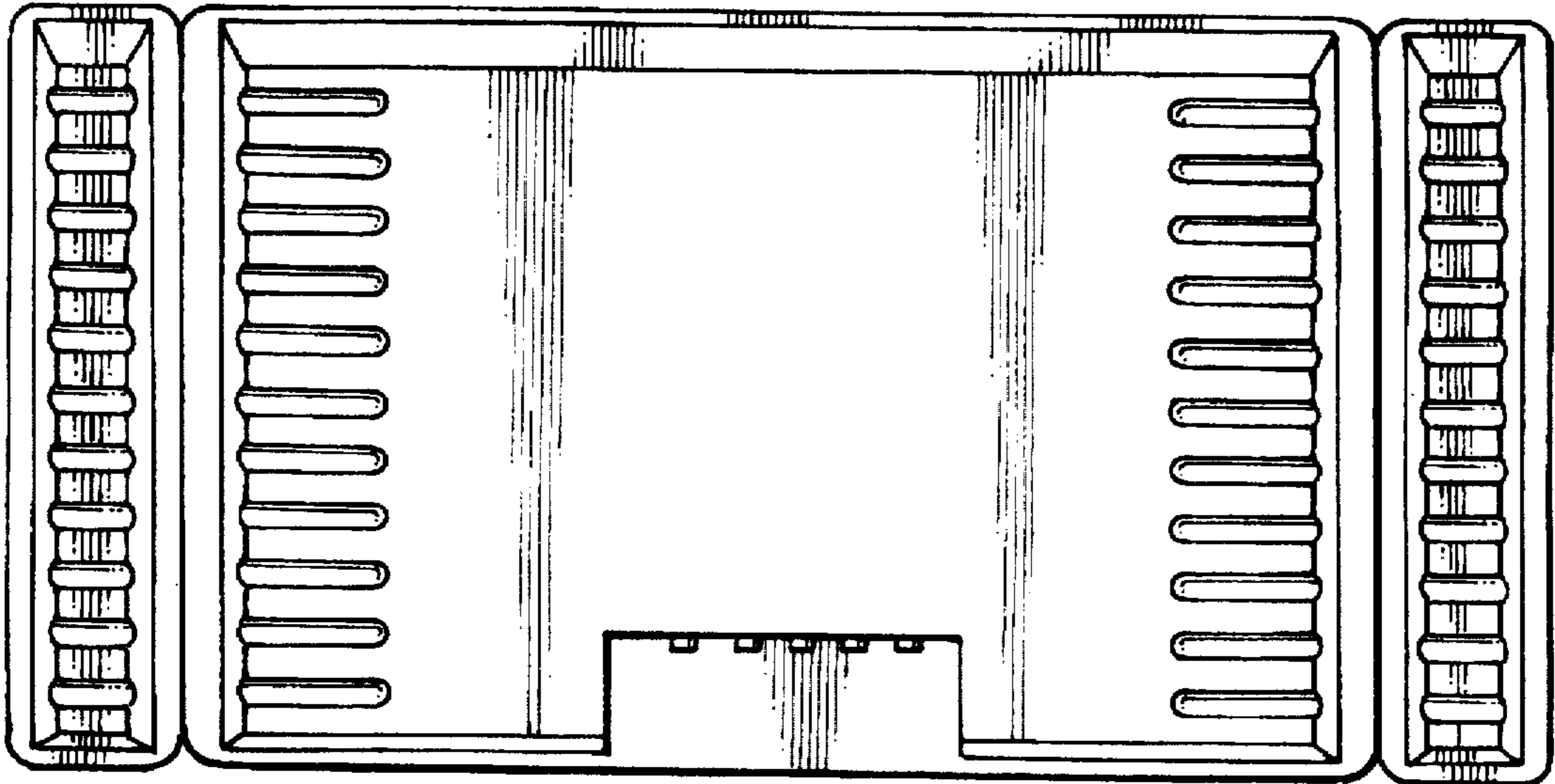


FIG. 7

