



US00D392627S

# United States Patent [19] Kondo

[11] Patent Number: **Des. 392,627**  
[45] Date of Patent: **\*\*Mar. 24, 1998**

[54] **UNIT FOR EXTENSION OF FUNCTION OF ELECTRONIC COMPUTERS**

[75] Inventor: **Osamu Kondo**, Tokyo, Japan

[73] Assignee: **Kabushiki Kaishi Toshiba**, Kawasaki, Japan

[\*\*] Term: **14 Years**

[21] Appl. No.: **68,102**

[22] Filed: **Feb. 6, 1997**

[30] **Foreign Application Priority Data**

Aug. 6, 1996 [JP] Japan ..... 8-23476

[51] LOC (6) Cl. .... **14-02**

[52] U.S. Cl. .... **D14/107**

[58] Field of Search ..... D14/100, 107,  
D14/114; D13/184, 199; 361/683-686;  
364/708.1; 439/95, 248

[56] **References Cited**

**U.S. PATENT DOCUMENTS**

D. 288,447	2/1987	Otsuka	.....	D14/107
D. 292,405	10/1987	Kitani et al.	.....	D14/111
D. 302,812	8/1989	Hiroki	.....	D14/107
D. 318,466	7/1991	Grundstrom et al.	.....	D14/114
D. 332,091	12/1992	Iino	.....	D14/107
D. 342,487	12/1993	Iino	.....	D14/107
D. 361,987	9/1995	Yamazaki	.....	D14/107
D. 366,470	1/1996	Youens et al.	.....	D14/107
D. 368,704	4/1996	Tanaka	.....	D14/107
5,182,698	1/1993	Kobayashi et al.	.....	361/395
5,283,714	2/1994	Tsai et al.	.....	361/683
5,535,093	7/1996	Noguchi et al.	.....	D14/107 X

**FOREIGN PATENT DOCUMENTS**

M 94 04 957	6/1994	Germany .
708621	4/1987	Japan .
740409	5/1988	Japan .

791802	4/1990	Japan .
791816	4/1990	Japan .
844726	8/1992	Japan .
908192	10/1994	Japan .
127189	1/1990	Taiwan .
134452	5/1990	Taiwan .

**OTHER PUBLICATIONS**

Catalog, Macintosh Duo MiniDock), Apple Computer, Mar. 26, 1993.

Catalog, (FMC-601), Fujitsu, Oct. 24, 1991.

Catalog, (Main Docking Station), Swan Technologies Corporation, May 10, 1996.

Magazine, Duo Mini Dock, Apple Computer, Sony, Catalog Sep. 1991.

Nippon—Artecon SB 3000 XD Dec. 7, 1994 (date obtained by applicant).

*Primary Examiner*—Freda Nunn

*Attorney, Agent, or Firm*—Banner & Witcoff, Ltd.

[57] **CLAIM**

The ornamental design for a unit for extension of function of electronic computers, as shown and described.

**DESCRIPTION**

FIG. 1 is a top, front and right side perspective view of a unit for extension of function of electronic computers showing my new design;

FIG. 2 is a front elevational view thereof;

FIG. 3 is a top plan view thereof;

FIG. 4 is a bottom plan view thereof;

FIG. 5 is a rear elevational view thereof;

FIG. 6 is a right side elevational view thereof;

FIG. 7 is a left side elevational view thereof; and,

FIG. 8 is a reference perspective view thereof showing the unit in a used position with a laptop computer being shown in broken lines for illustrative purposes only and forming no part of the claimed design.

**1 Claim, 3 Drawing Sheets**

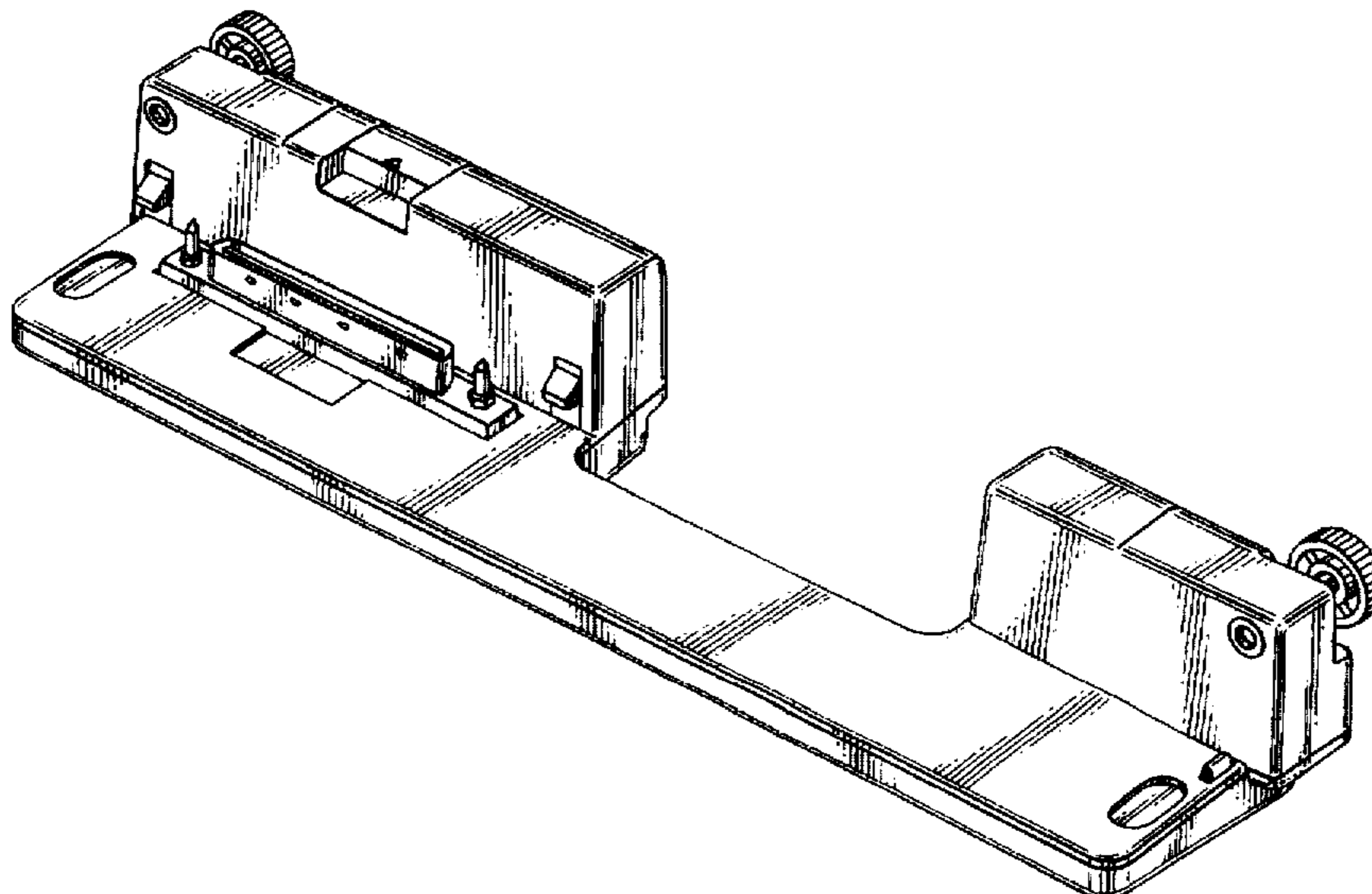


FIG. 1

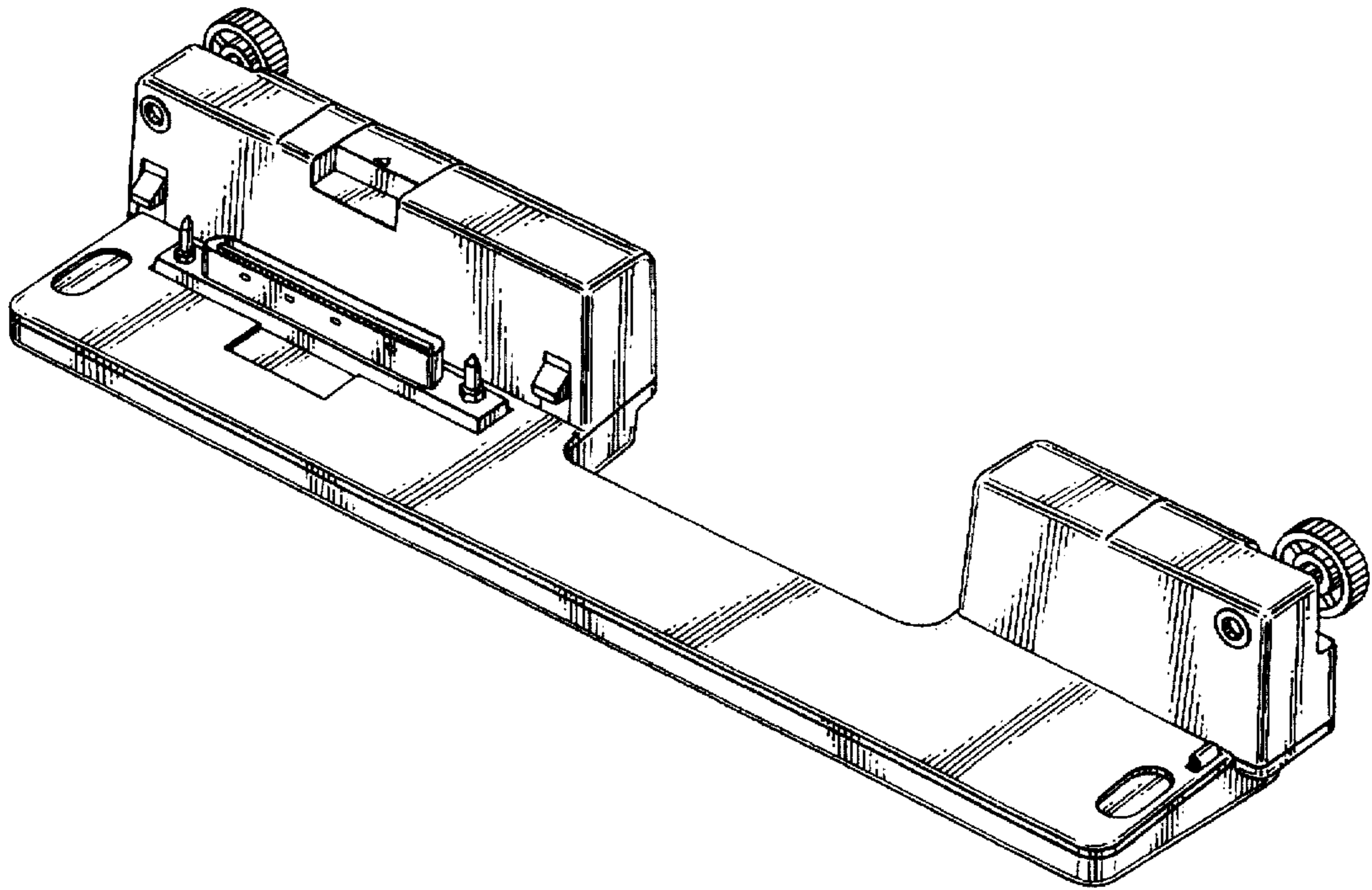


FIG. 2

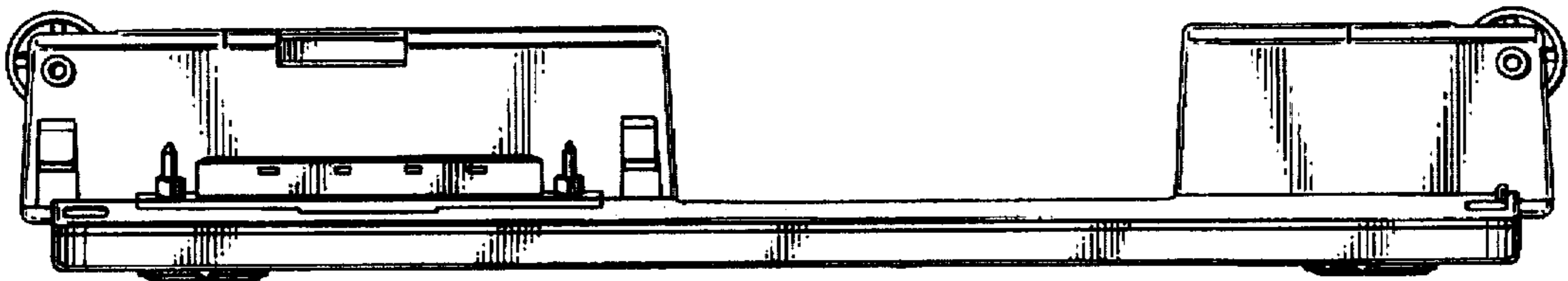


FIG. 3

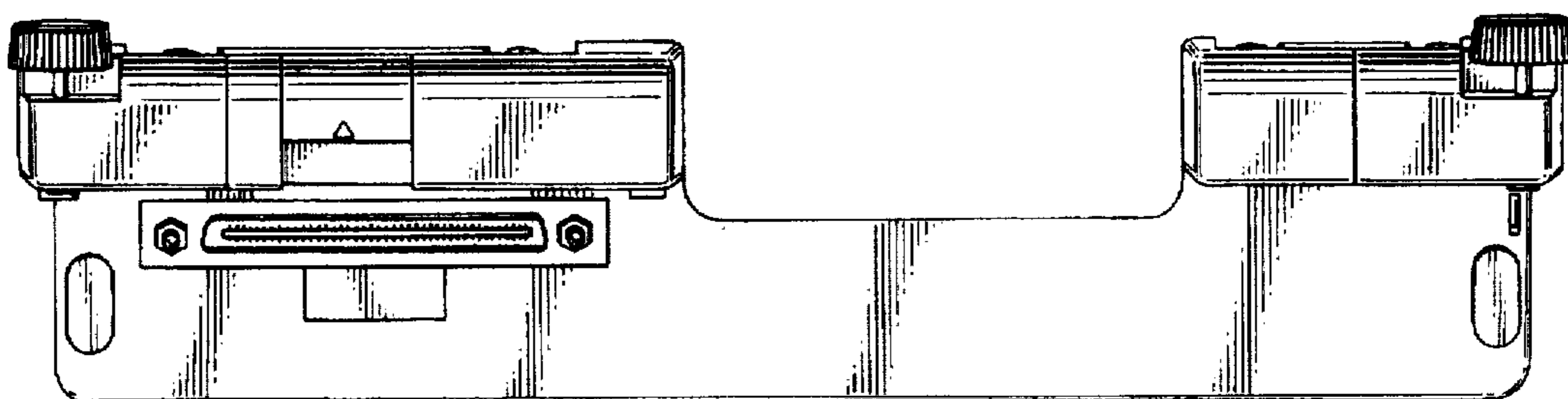


FIG. 4

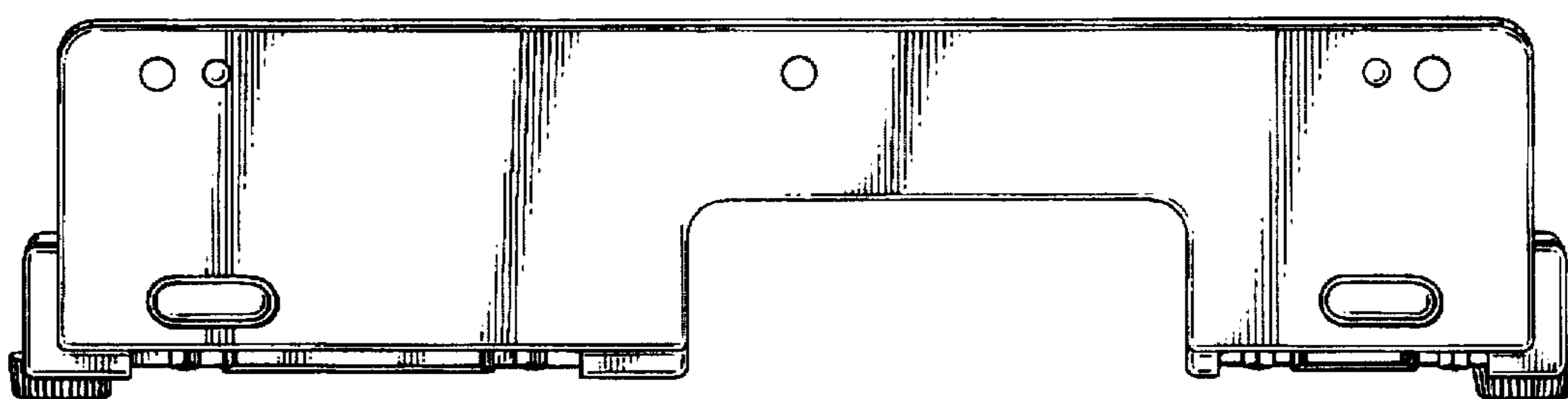


FIG. 5

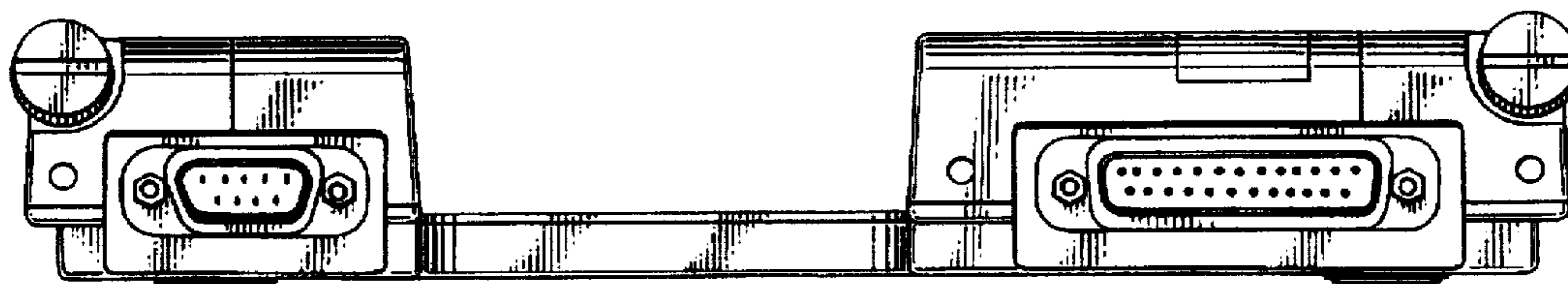


FIG. 6

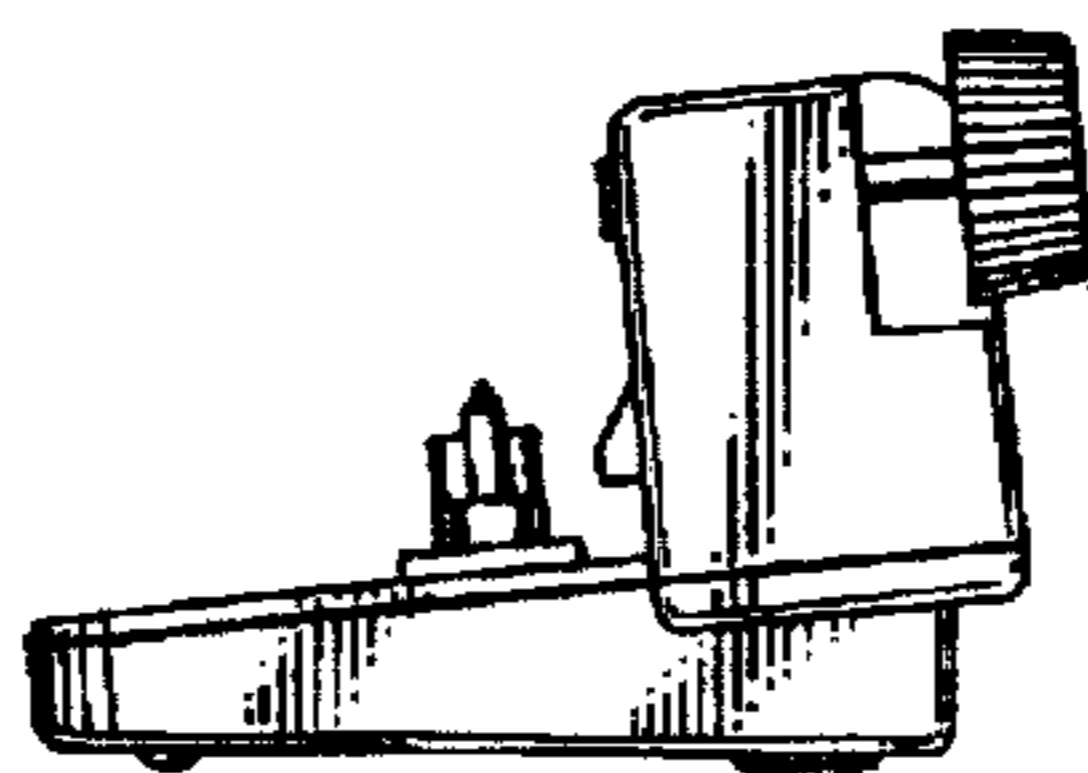


FIG. 7

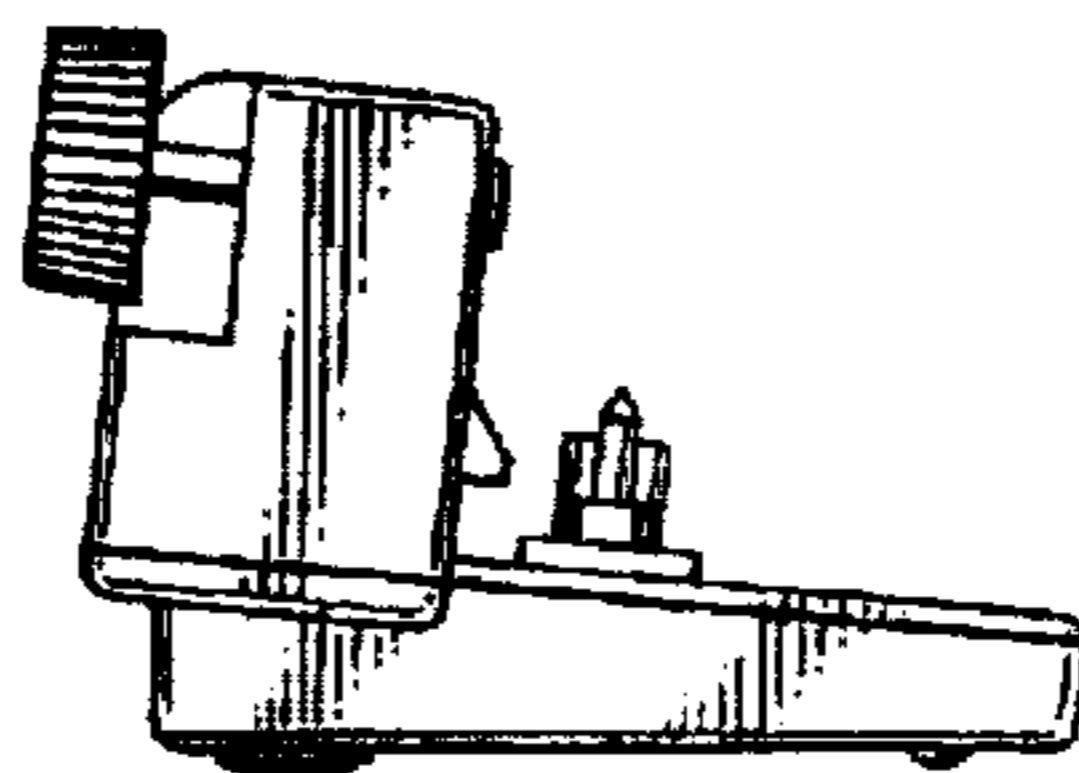


FIG. 8

