



US00D392626S

United States Patent [19]

[11] Patent Number: Des. 392,626

Kamata et al.

[45] Date of Patent: **Mar. 24, 1998

[54] COMPUTER

[75] Inventors: **Shoichi Kamata**, Sagamihara; **Makoto Sawaguchi**, Tokorozawa; **Katsuyuki Fukutake**; **Koichi Inoue**, both of Kawasaki, all of Japan

[73] Assignee: **Fujitsu Limited**, Kawasaki, Japan

[**] Term: 14 Years

[21] Appl. No.: 69,823

[22] Filed: Apr. 17, 1997

[30] Foreign Application Priority Data

Oct. 18, 1996 [JP] Japan 8-31385

[51] LOC (6) Cl. 14-02

[52] U.S. Cl. D14/106

[58] Field of Search D14/100, 101, D14/106, 113, 115; D18/1, 7; 235/145 A, 145 R; 341/22, 23; 345/104, 156, 168, 173; 361/680-686; 364/708.1; 400/486, 489

[56] References Cited

U.S. PATENT DOCUMENTS

D. 380,459 7/1997 Tanimura et al. D14/106

Primary Examiner—Freda Nunn
Attorney, Agent, or Firm—Staas & Halsey

[57] CLAIM

The ornamental design for a computer, as shown and described.

DESCRIPTION

FIG. 1 is a front elevational view of our new computer design;

FIG. 2 is a rear elevational view thereof;

FIG. 3 is a bottom plan view thereof;

FIG. 4 is a top plan view thereof;

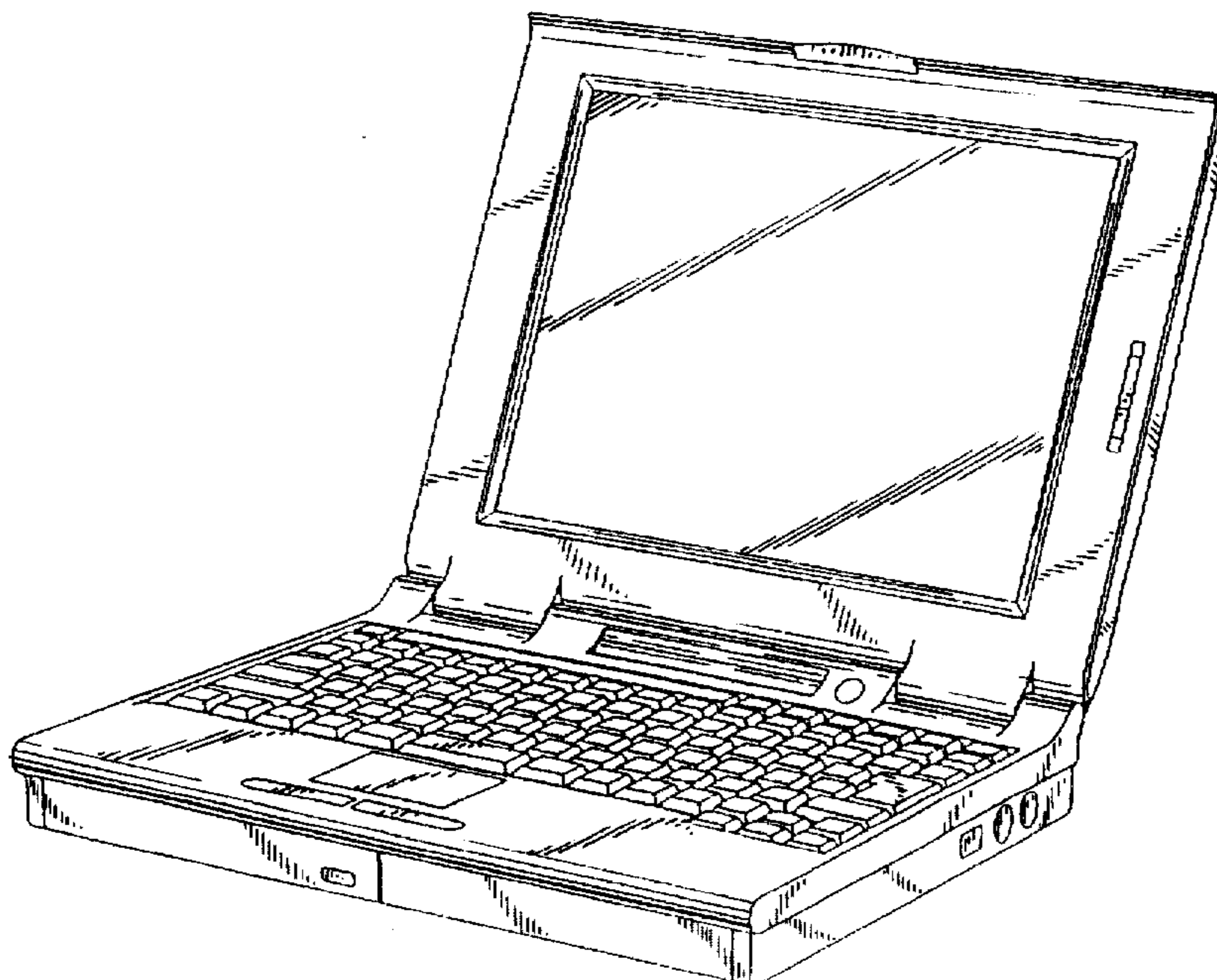
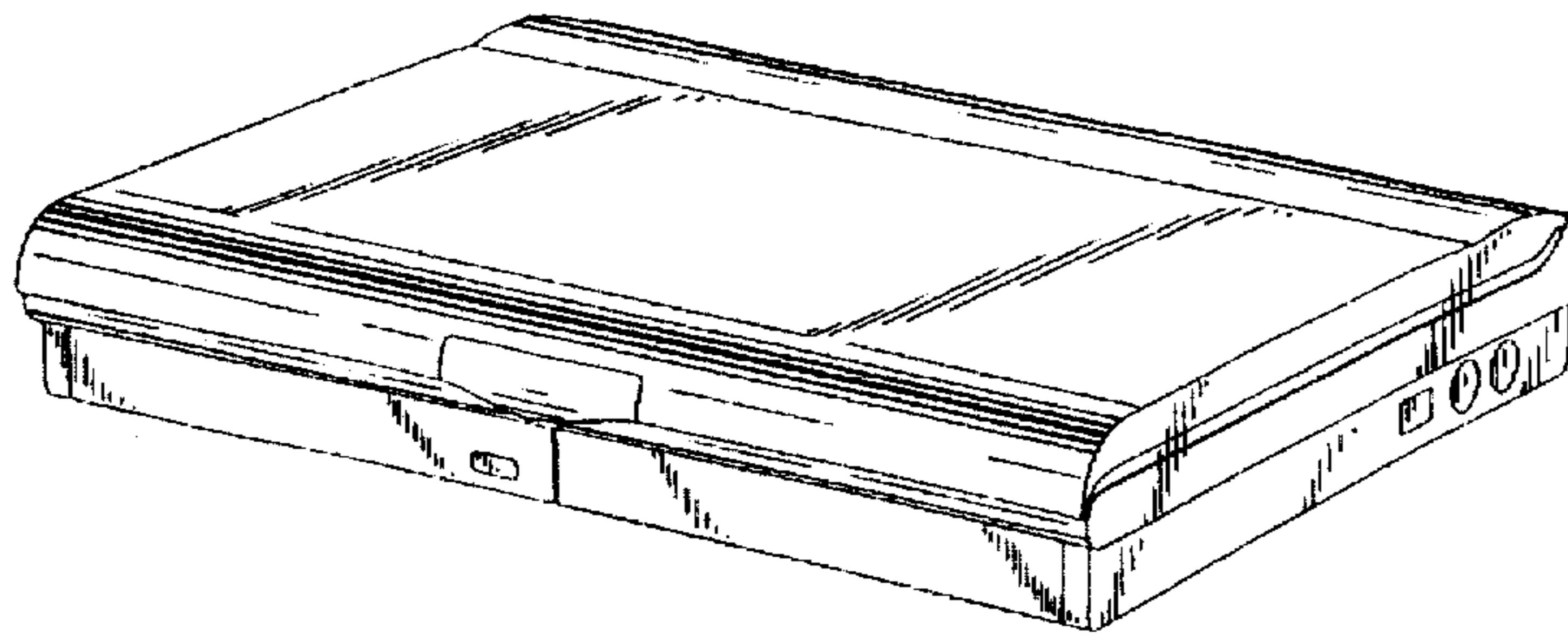
FIG. 5 is a right side elevational view thereof;

FIG. 6 is a left side elevational view thereof;

FIG. 7 is a perspective view thereof; and,

FIG. 8 is a perspective view with the cover of the computer in open position.

1 Claim, 3 Drawing Sheets



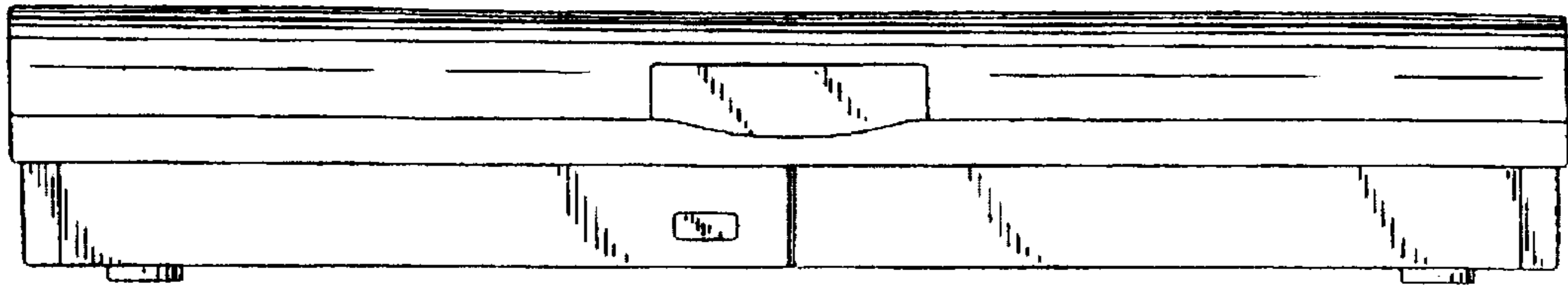


FIG. 1

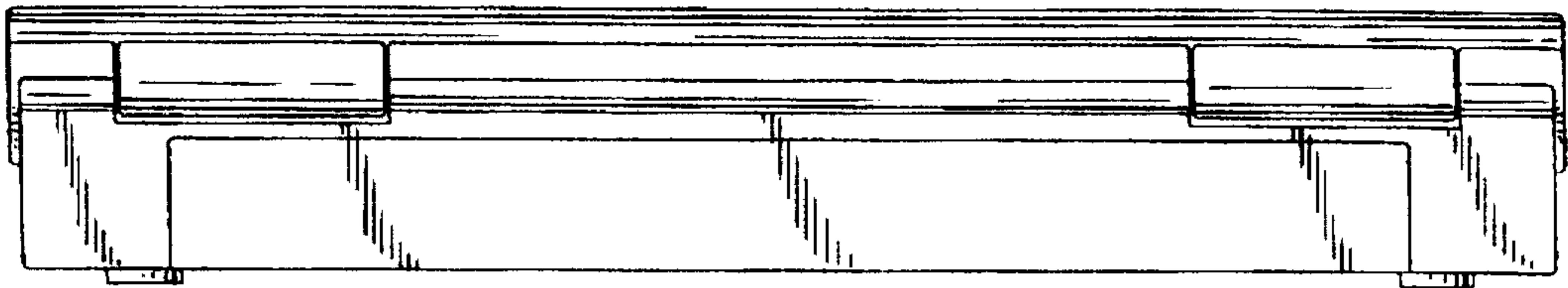


FIG. 2

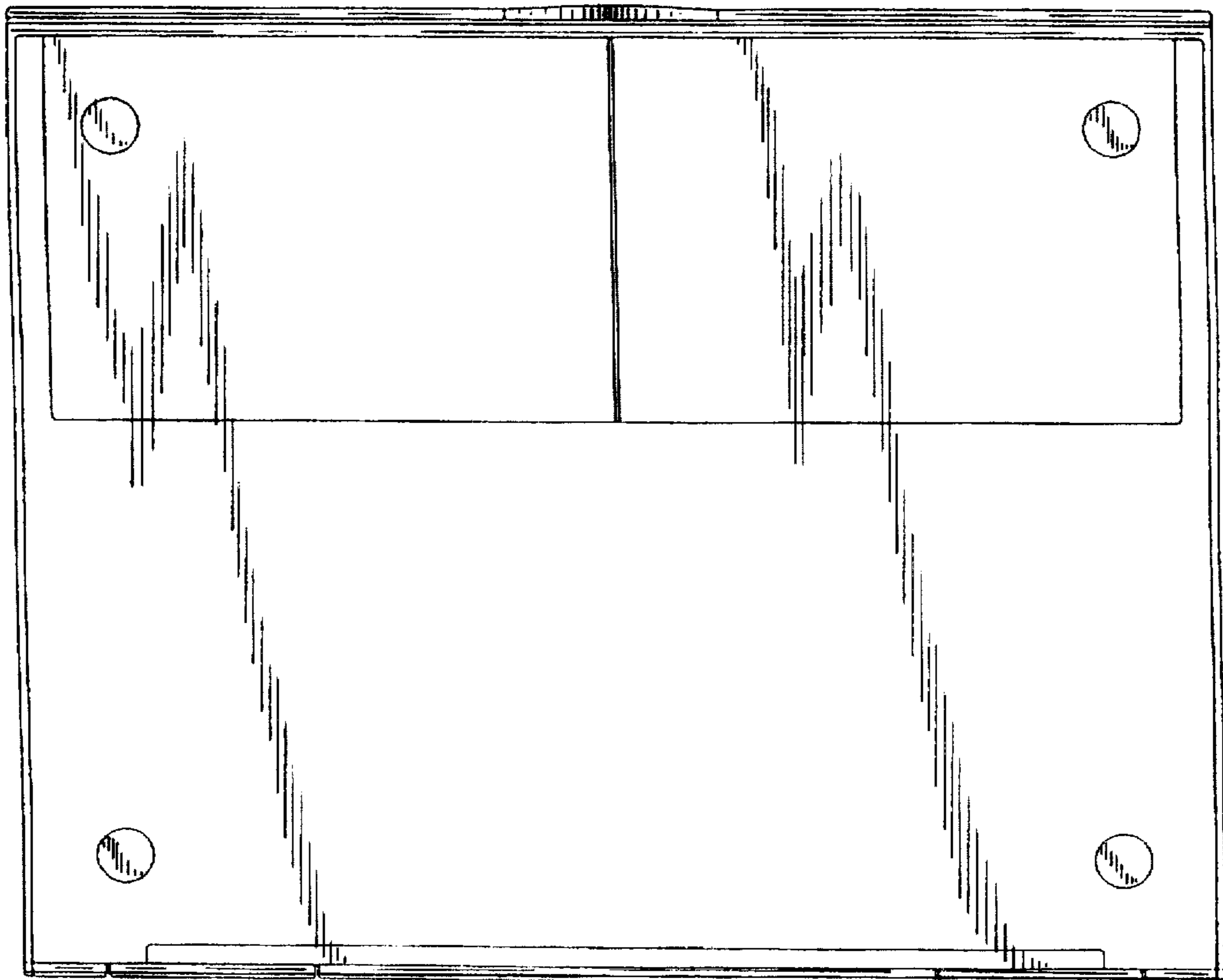


FIG. 3

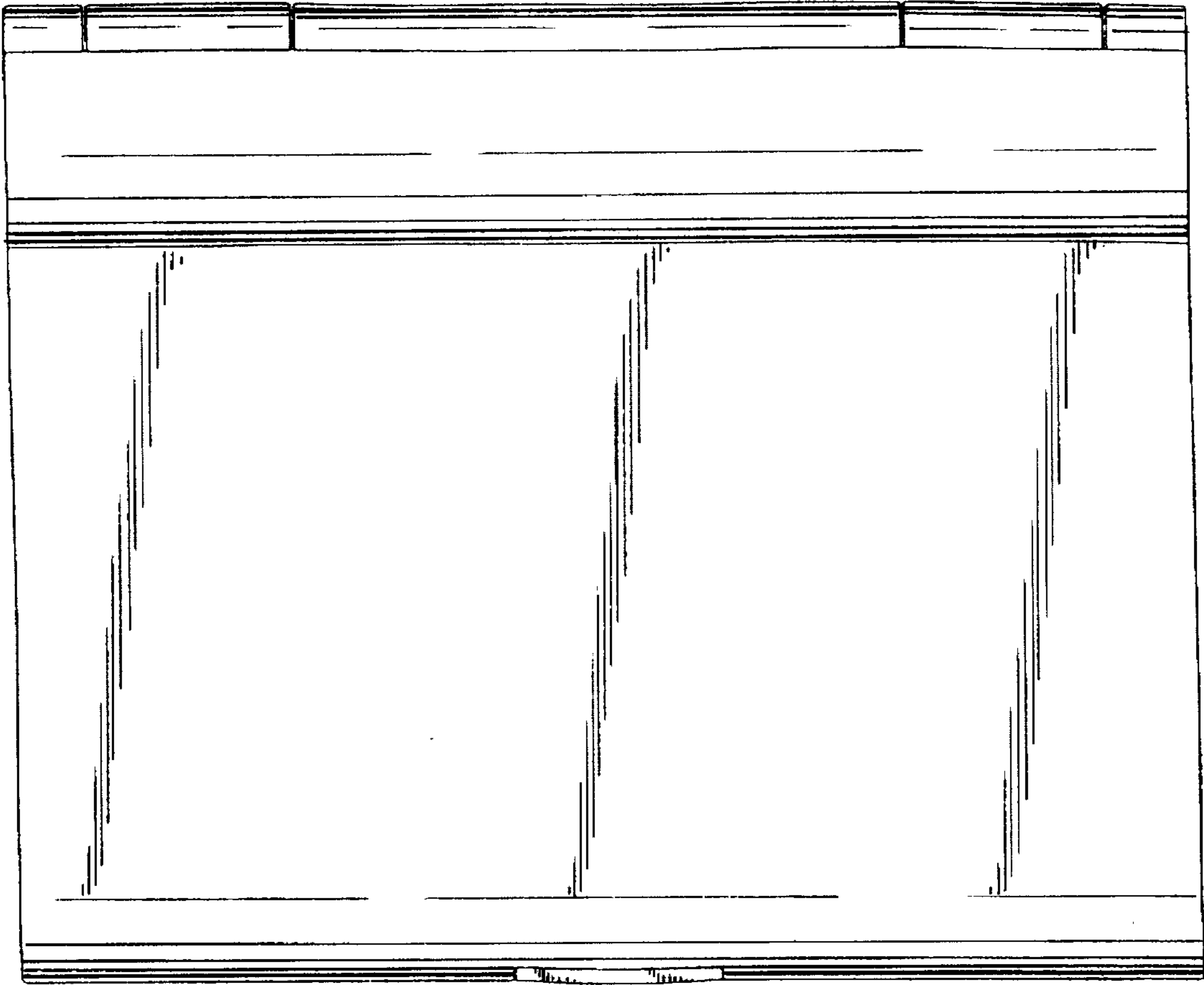


FIG. 4

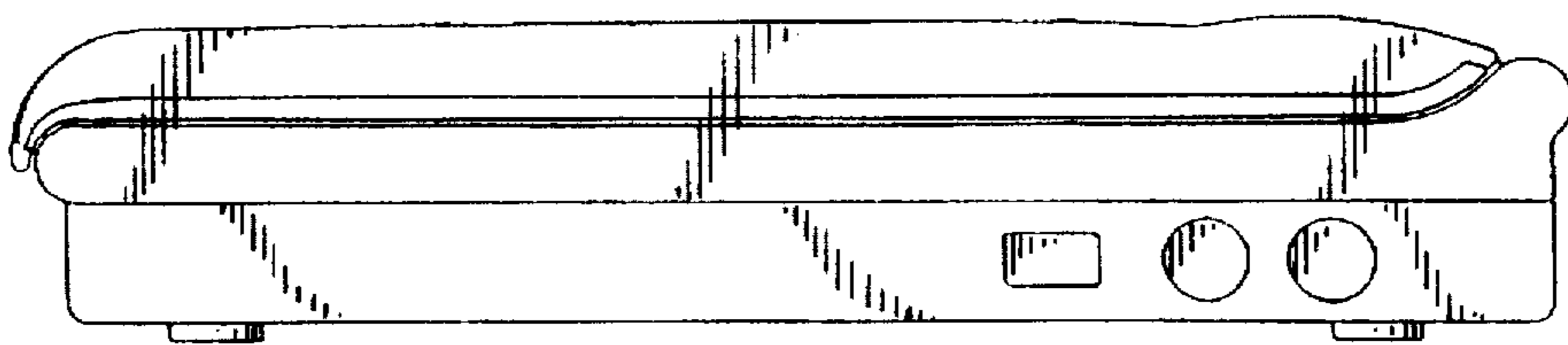


FIG. 5

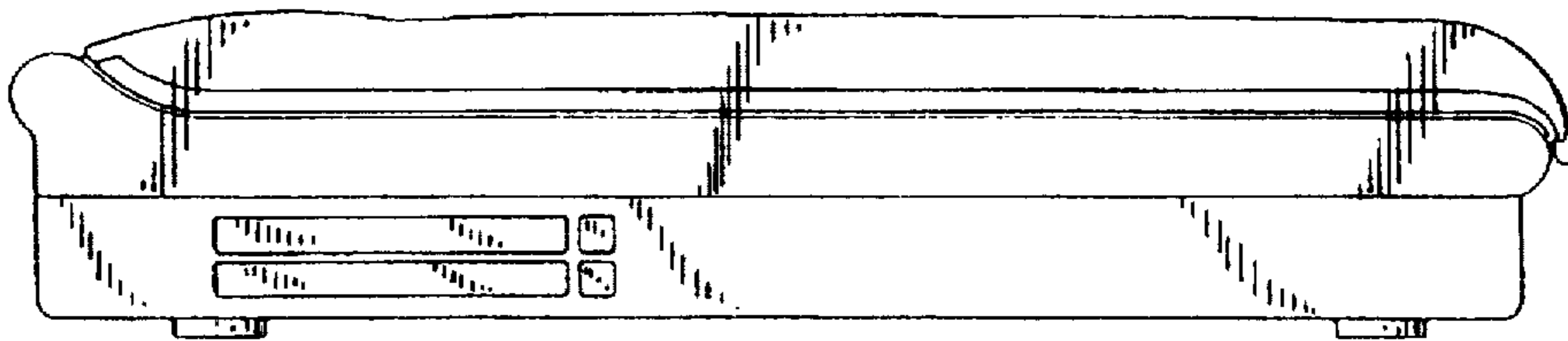


FIG. 6

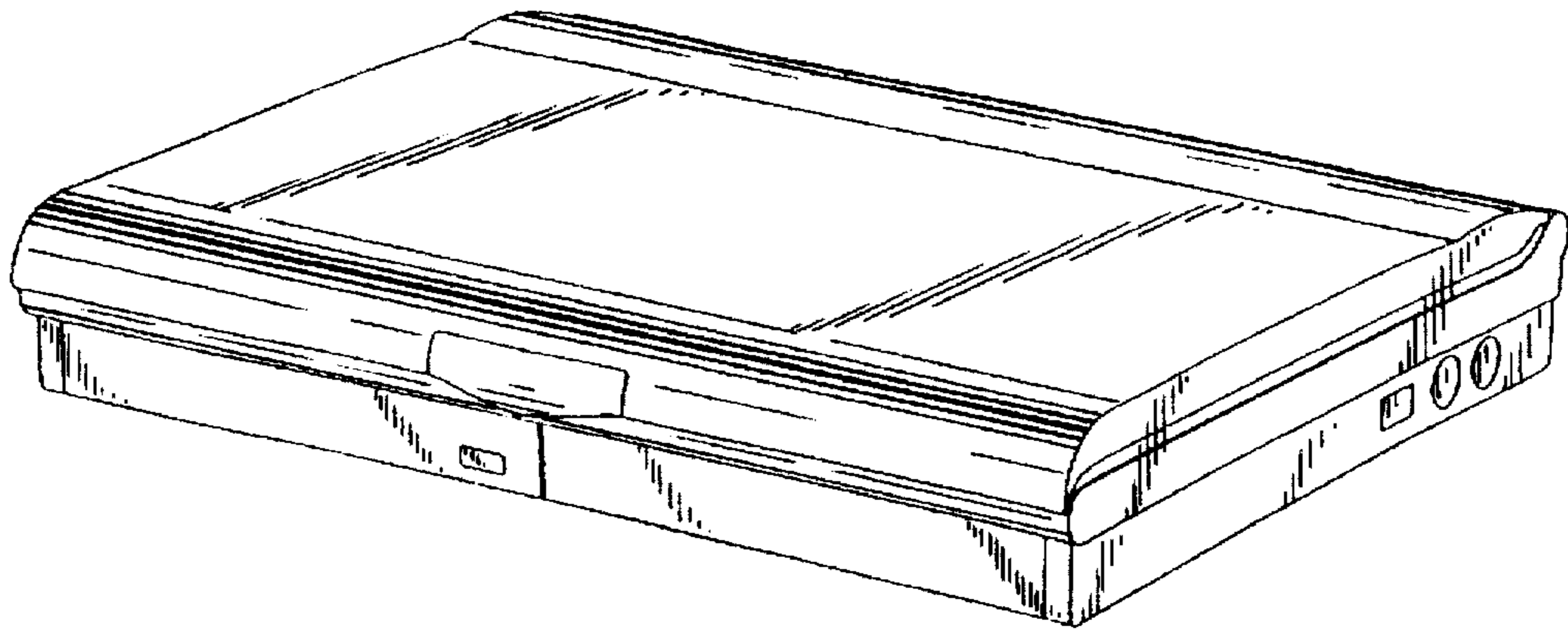


FIG. 7

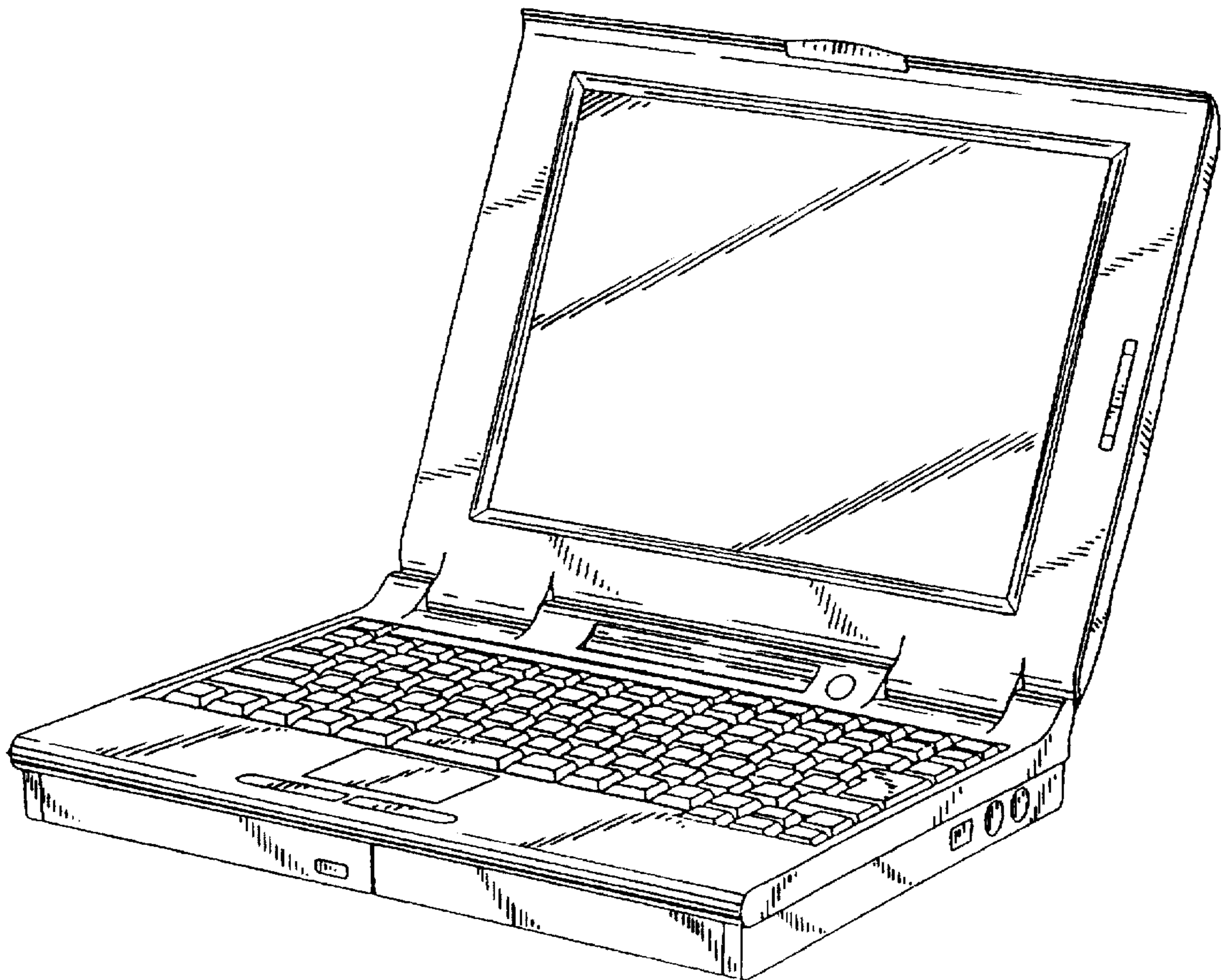


FIG. 8