



US00D392625S

# United States Patent [19]

Tang et al.

[11] Patent Number: **Des. 392,625**

[45] Date of Patent: **\*\*Mar. 24, 1998**

[54] **PORTABLE COMPUTING DEVICE**

[75] Inventors: **John Tang**, San Carlos; **David J. Baik**, San Jose; **Thomas Meyerhoffer**, San Francisco, all of Calif.

[73] Assignee: **Apple Computer, Inc.**, Cupertino, Calif.

[\*\*] Term: **14 Years**

[21] Appl. No.: **55,630**

[22] Filed: **Jun. 10, 1996**

[51] LOC (6) Cl. .... **14-02**

[52] U.S. Cl. .... **D14/106**

[58] Field of Search ..... D14/100, 101, D14/106, 113, 115, 124-127; D18/1, 7; 235/145 A, 145 R; 341/22, 23; 345/104, 156, 168, 173; 361/680-686; 364/708.1; 400/486, 489; D19/59, 60

### [56] References Cited

#### U.S. PATENT DOCUMENTS

- D. 347,856 6/1994 Marfori et al. .... D19/60
- D. 349,299 8/1994 Fok ..... D19/60
- D. 356,781 3/1995 Poon ..... D19/60 X

- D. 358,171 5/1995 Cheng ..... D19/60
- 5,200,913 4/1993 Hawkins et al. .... D14/106 X

*Primary Examiner*—Freda Nunn  
*Attorney, Agent, or Firm*—Richard C. Liu

### [57] CLAIM

The ornamental design for a portable computing device, as shown and described.

### DESCRIPTION

FIG. 1 is a top, front and right side perspective view of a portable computing device having its cover closed showing our new design;

FIG. 2 is a front elevational view thereof;

FIG. 3 is a rear elevational view thereof;

FIG. 4 is a top plan view thereof;

FIG. 5 is a left side elevational view thereof;

FIG. 6 is a right side elevational view thereof;

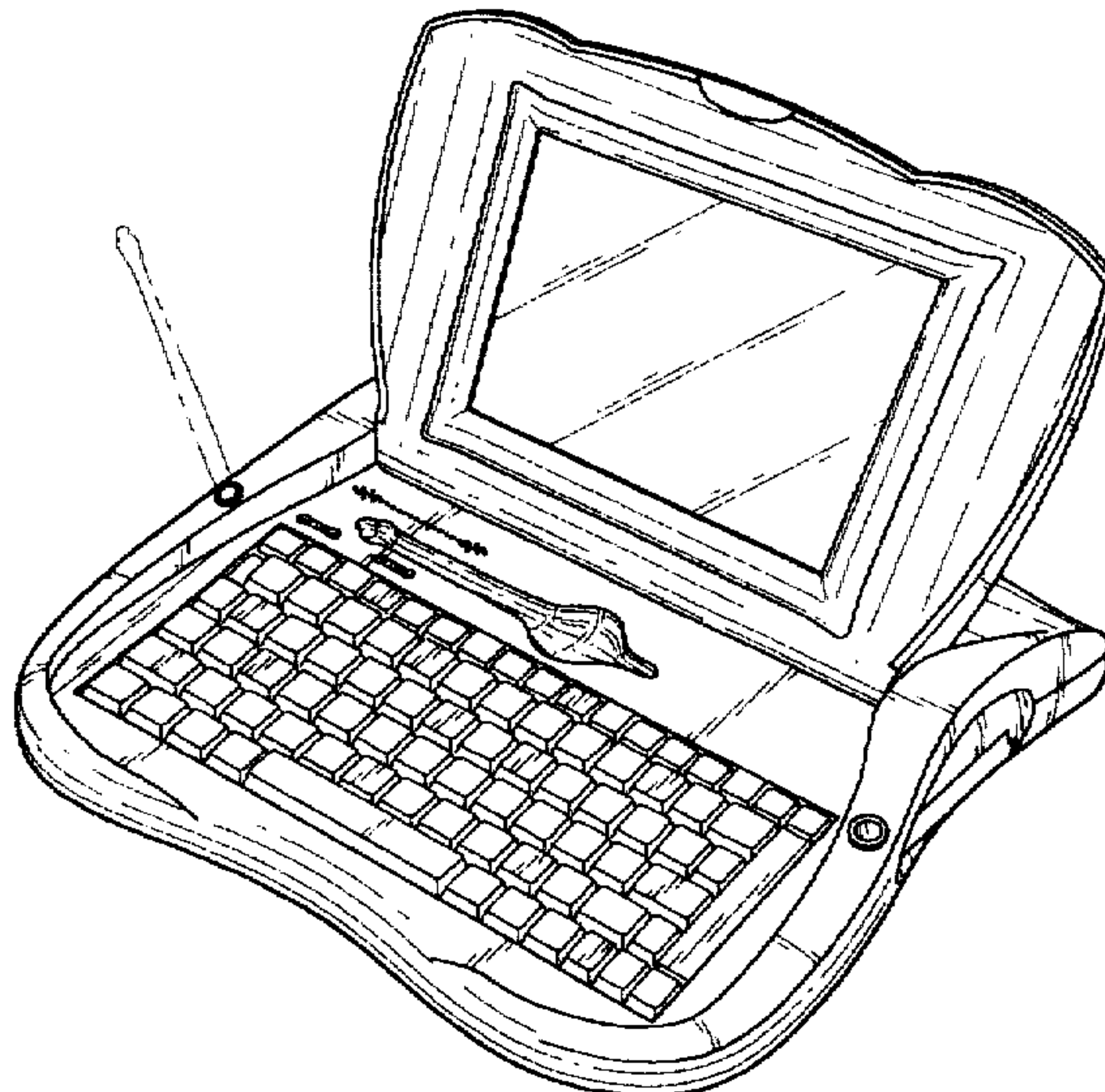
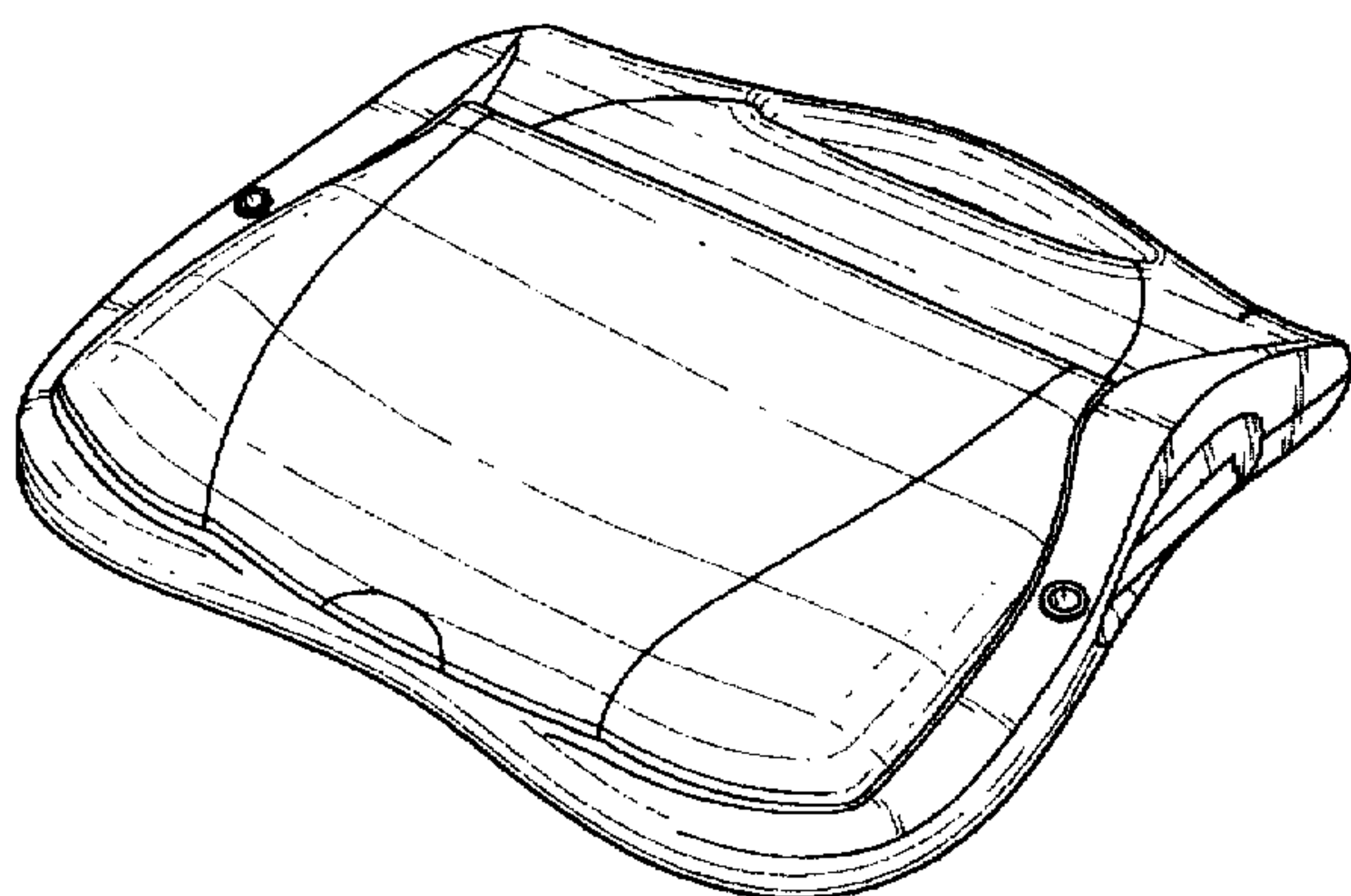
FIG. 7 is a bottom plan view thereof;

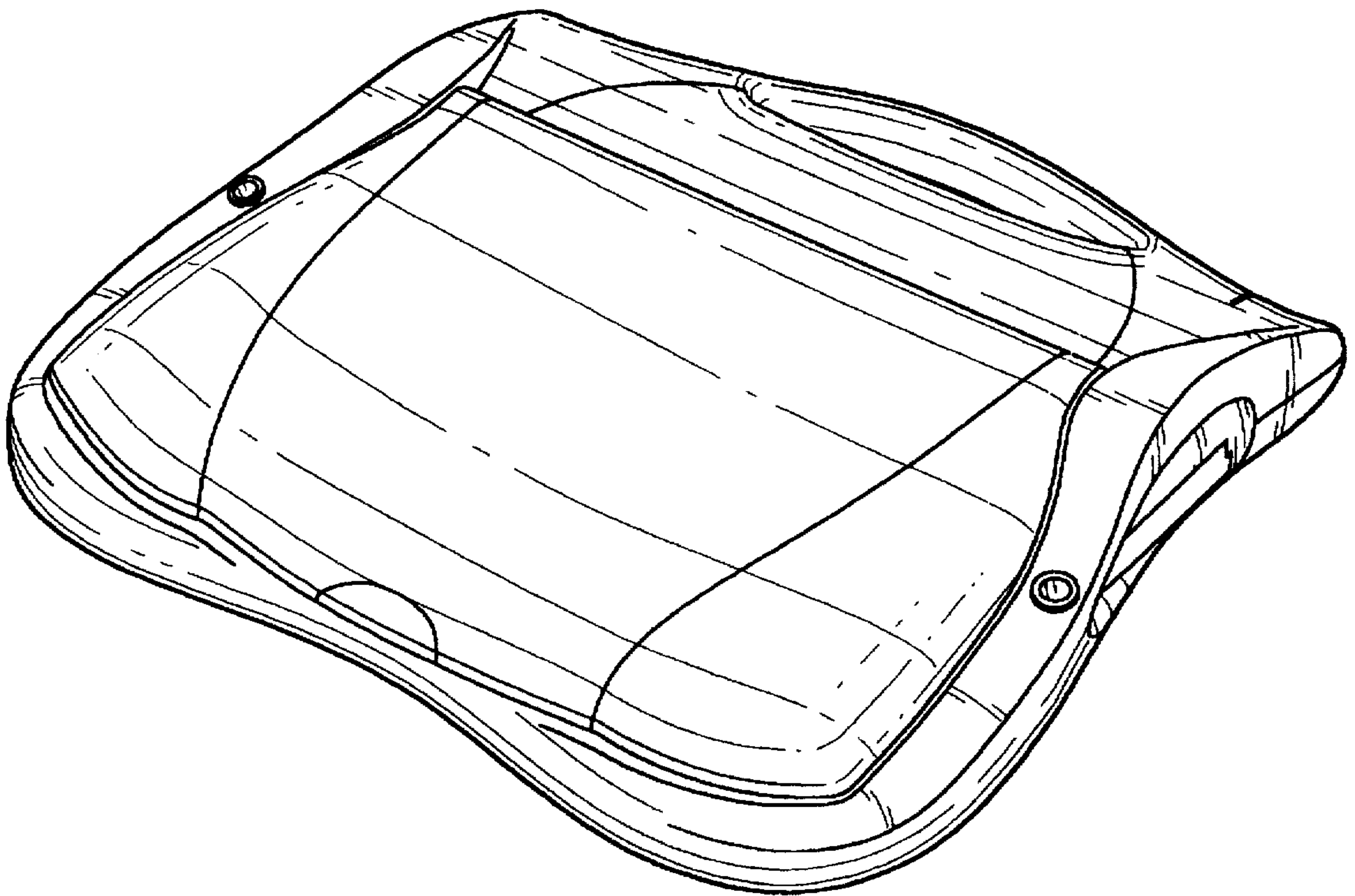
FIG. 8 is a top, front and right side perspective view thereof with the cover opened in an operating position and the stylus is shown in broken lines for illustrative purposes only and forms no part of the claimed design;

FIG. 9 is a right side elevational view of FIG. 8; and,

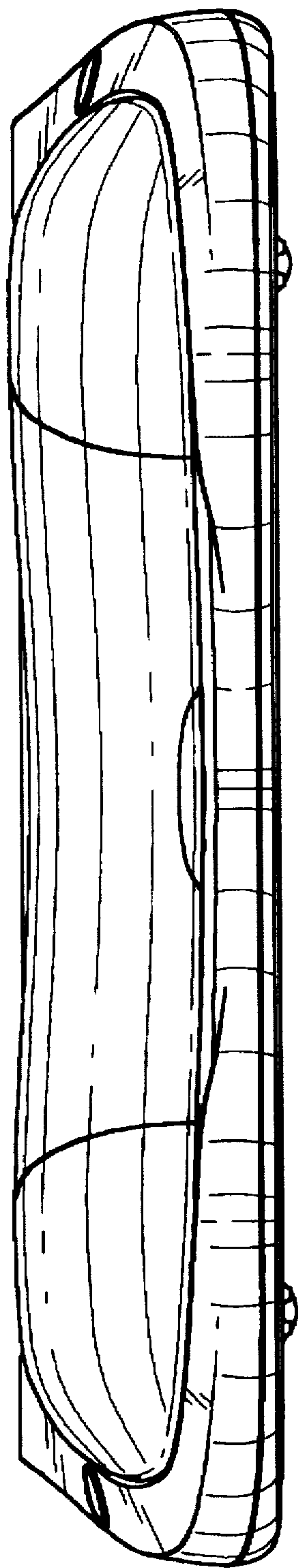
FIG. 10 is a right side elevational view of our design with the cover opened in another operating position.

**1 Claim, 7 Drawing Sheets**

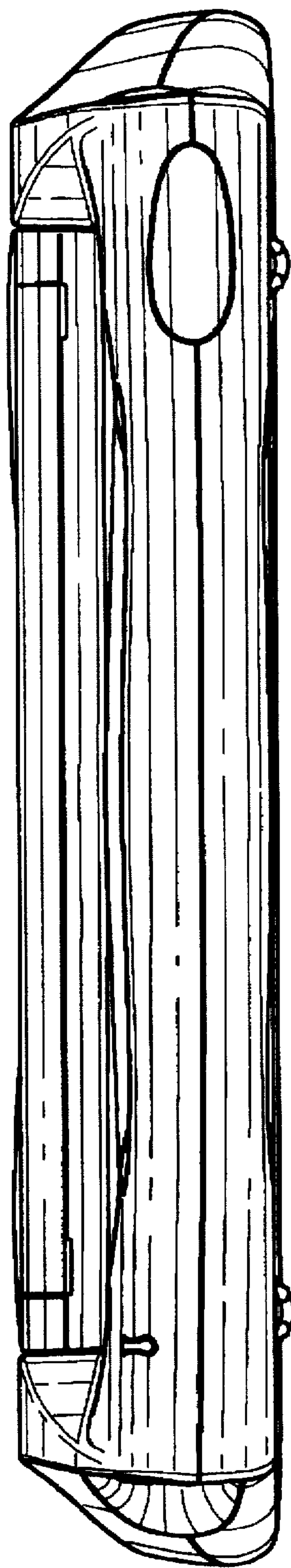




**FIG. 1**



**FIG. 2**



**FIG. 3**



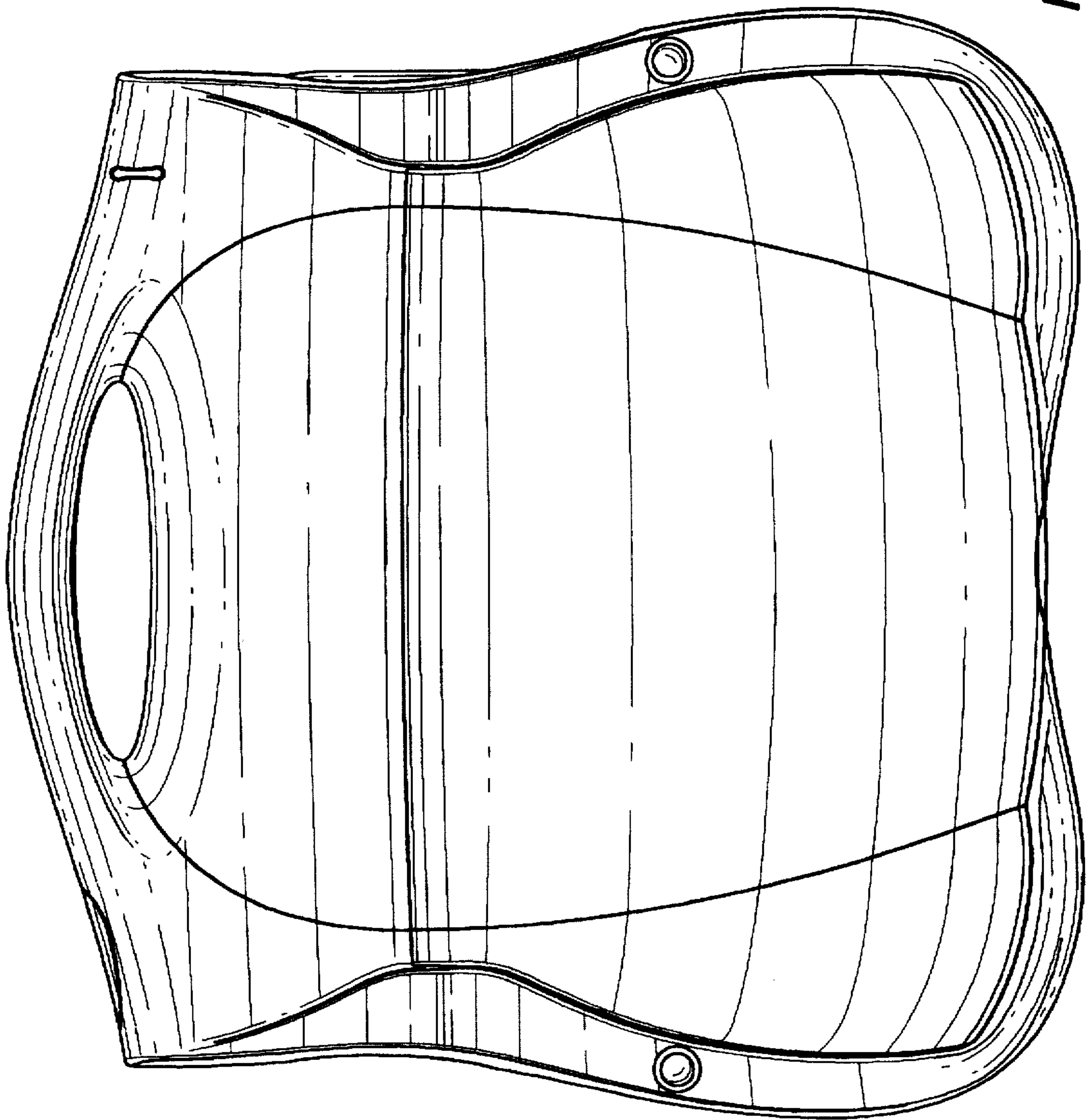
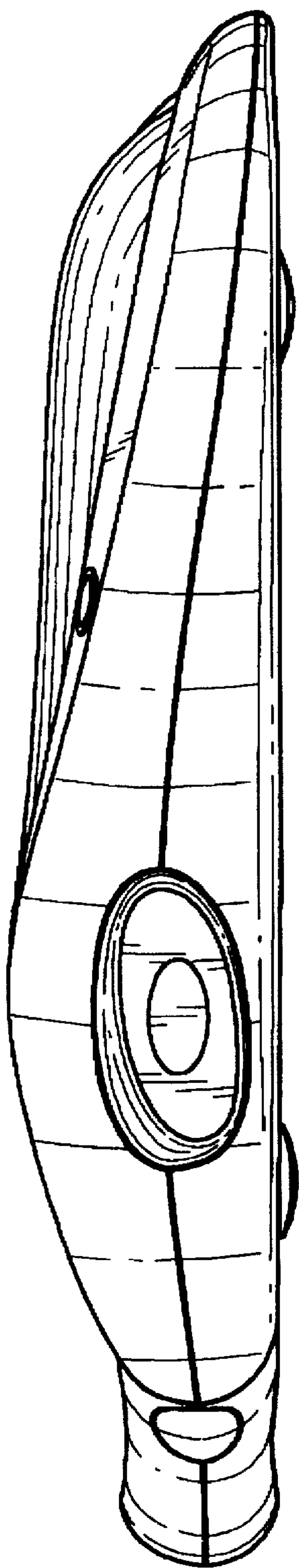
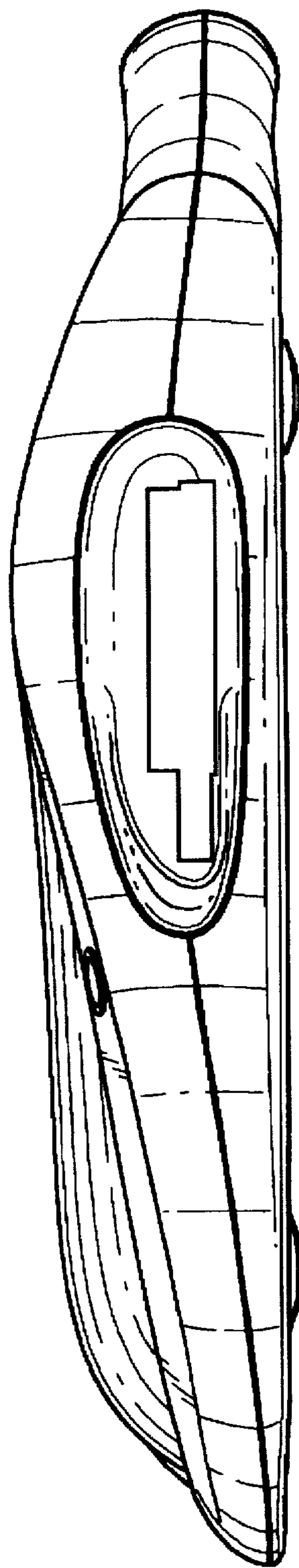


FIG. 4



**FIG. 5**



**FIG. 6**

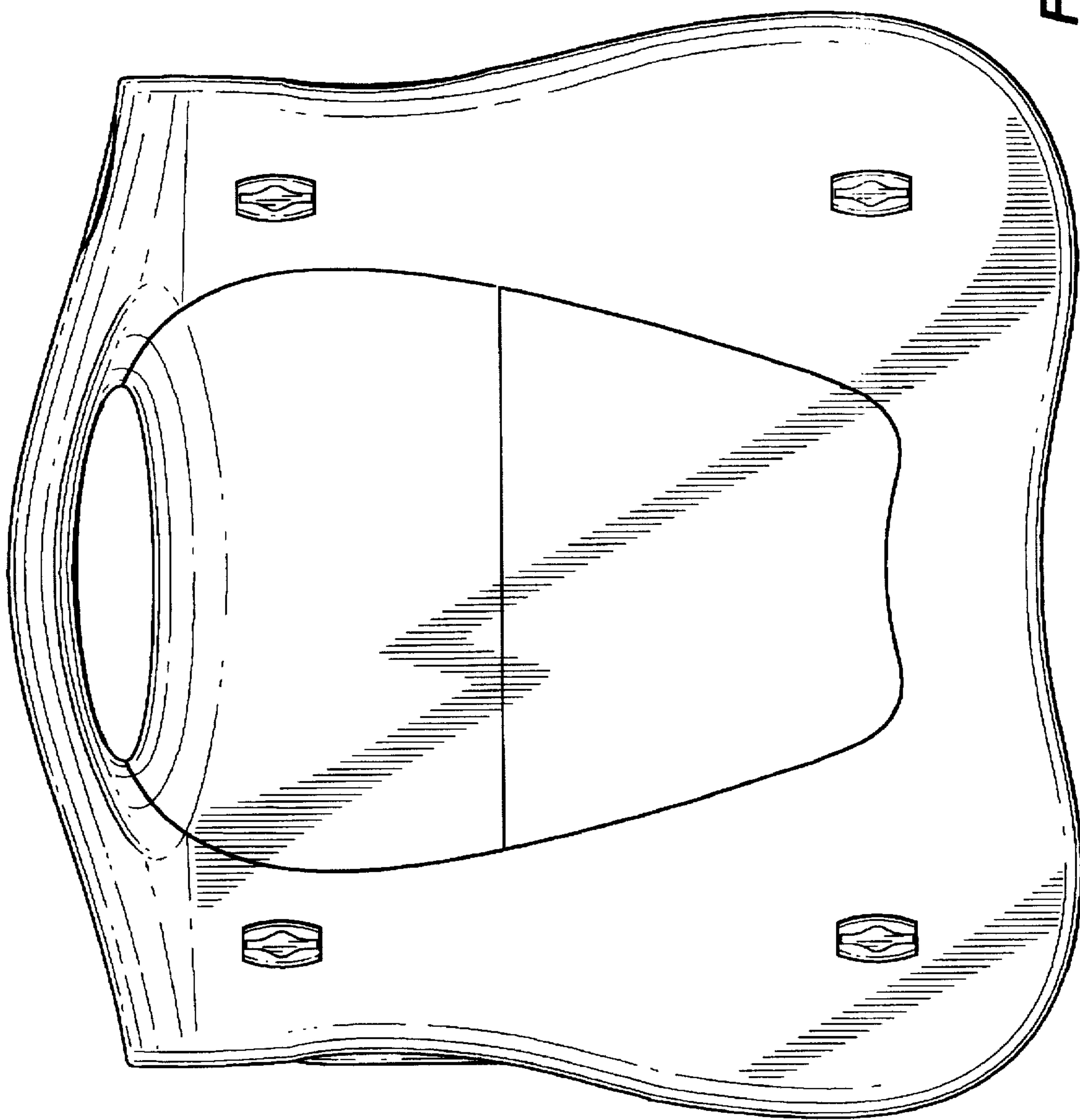


FIG. 7

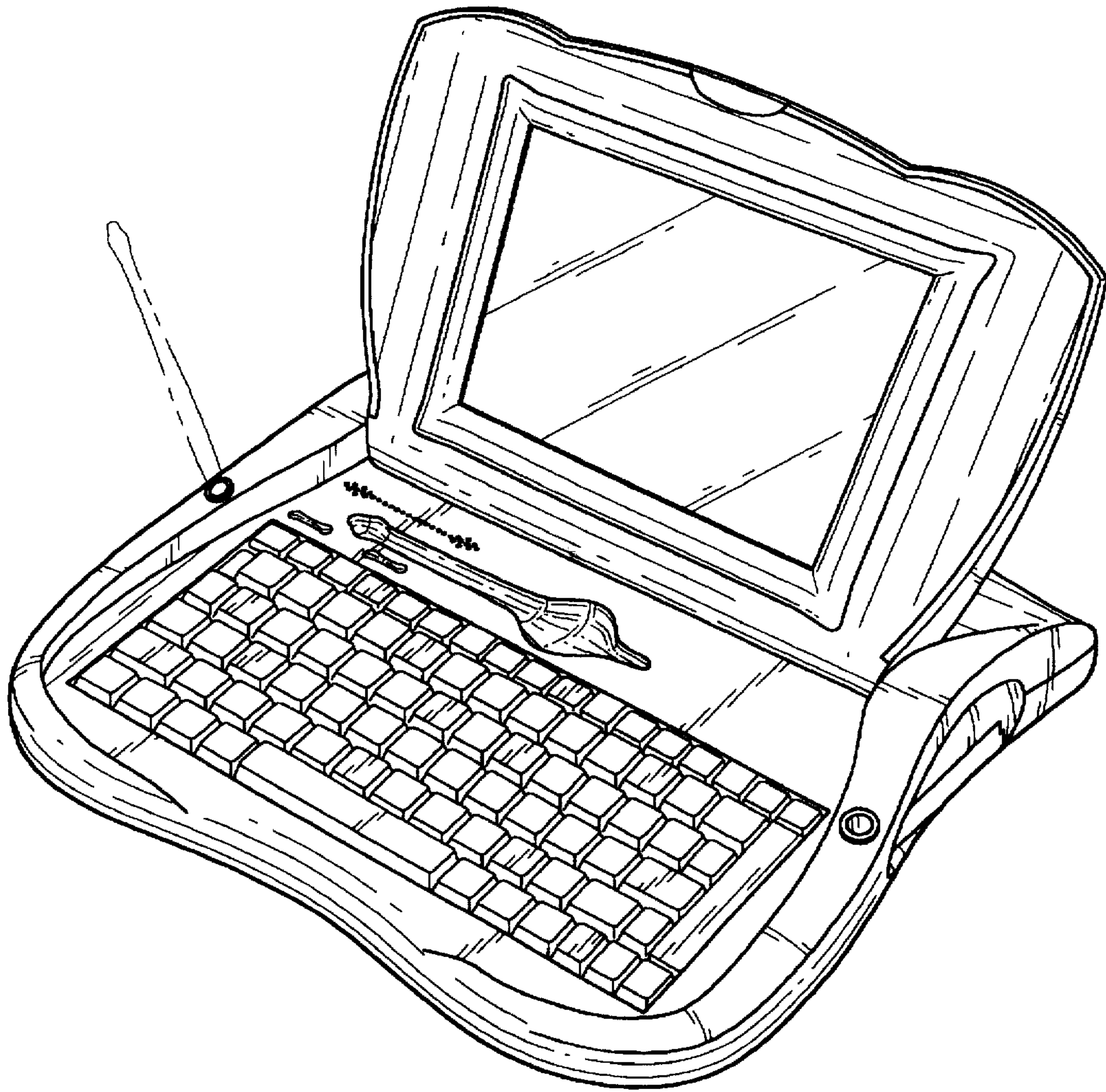


FIG. 8



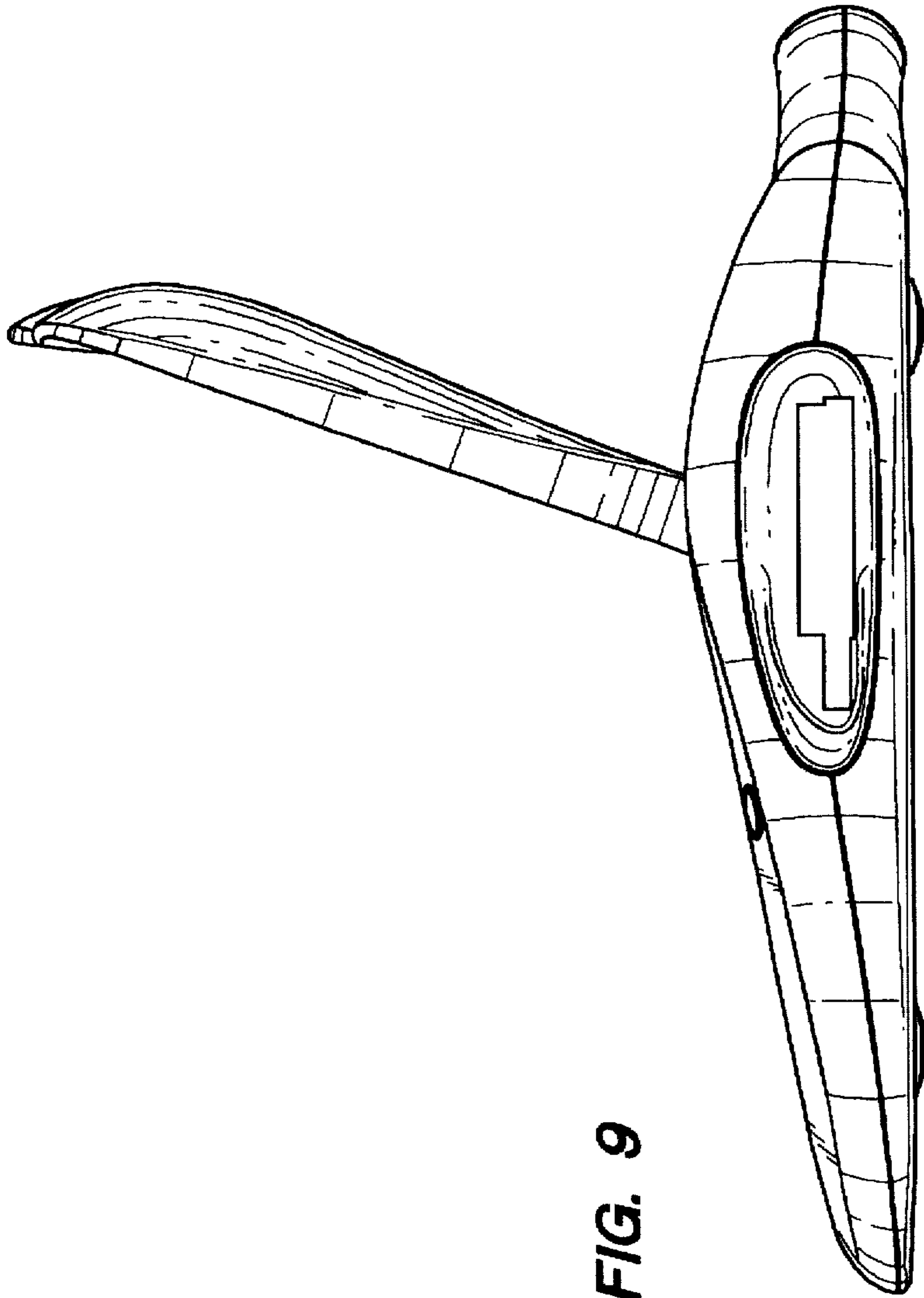


FIG. 9

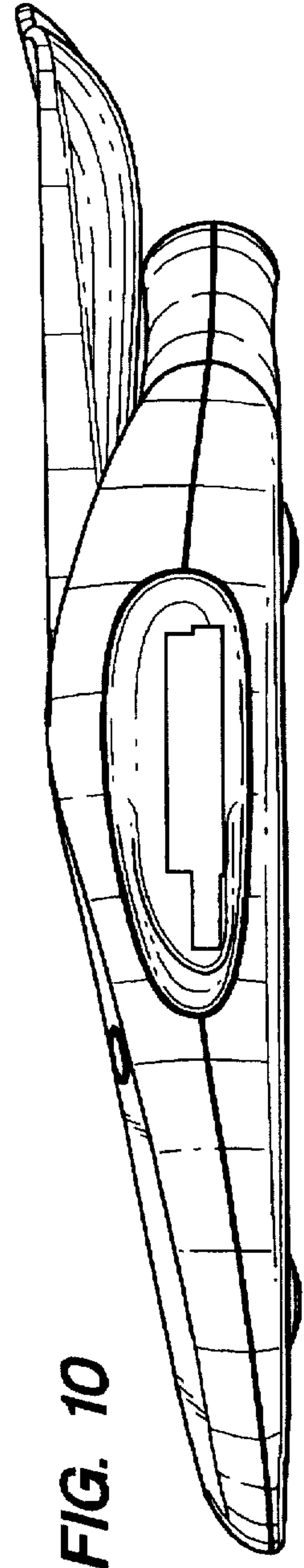


FIG. 10