

US00D392622S

**United States Patent** [19]  
**Lee**

[11] **Patent Number: Des. 392,622**  
[45] **Date of Patent: \*\*\*Mar. 24, 1998**

[54] **HARD DISK DRIVE HOUSING**

[76] **Inventor: Chi Hsiu Lee, P.O. Box 82-144, Taipei, Taiwan**

[\*] **Notice: The portion of the term of this patent subsequent to Nov. 11, 2011, has been disclaimed.**

[\*\*] **Term: 14 Years**

[21] **Appl. No.: 36,810**

[22] **Filed: Mar. 28, 1995**

[51] **LOC (6) Cl. .... 14-02**

[52] **U.S. Cl. .... D14/102; D14/109**

[58] **Field of Search .... D14/100, 102, D14/107-109; D13/162, 184, 199; D6/432, 436, 445, 448; 360/97.01, 97.04, 98.01, 99.01, 99.12; 361/694**

[56] **References Cited**

**U.S. PATENT DOCUMENTS**

D. 350,337 9/1994 Riley et al. .... D14/102  
D. 356,302 3/1995 Studebaker et al. .... D14/109 X

**OTHER PUBLICATIONS**

Richo Corp. 1993 *3.5 inch upright optical disk drive.*

*Primary Examiner—Freda Nunn  
Attorney, Agent, or Firm—A & J*

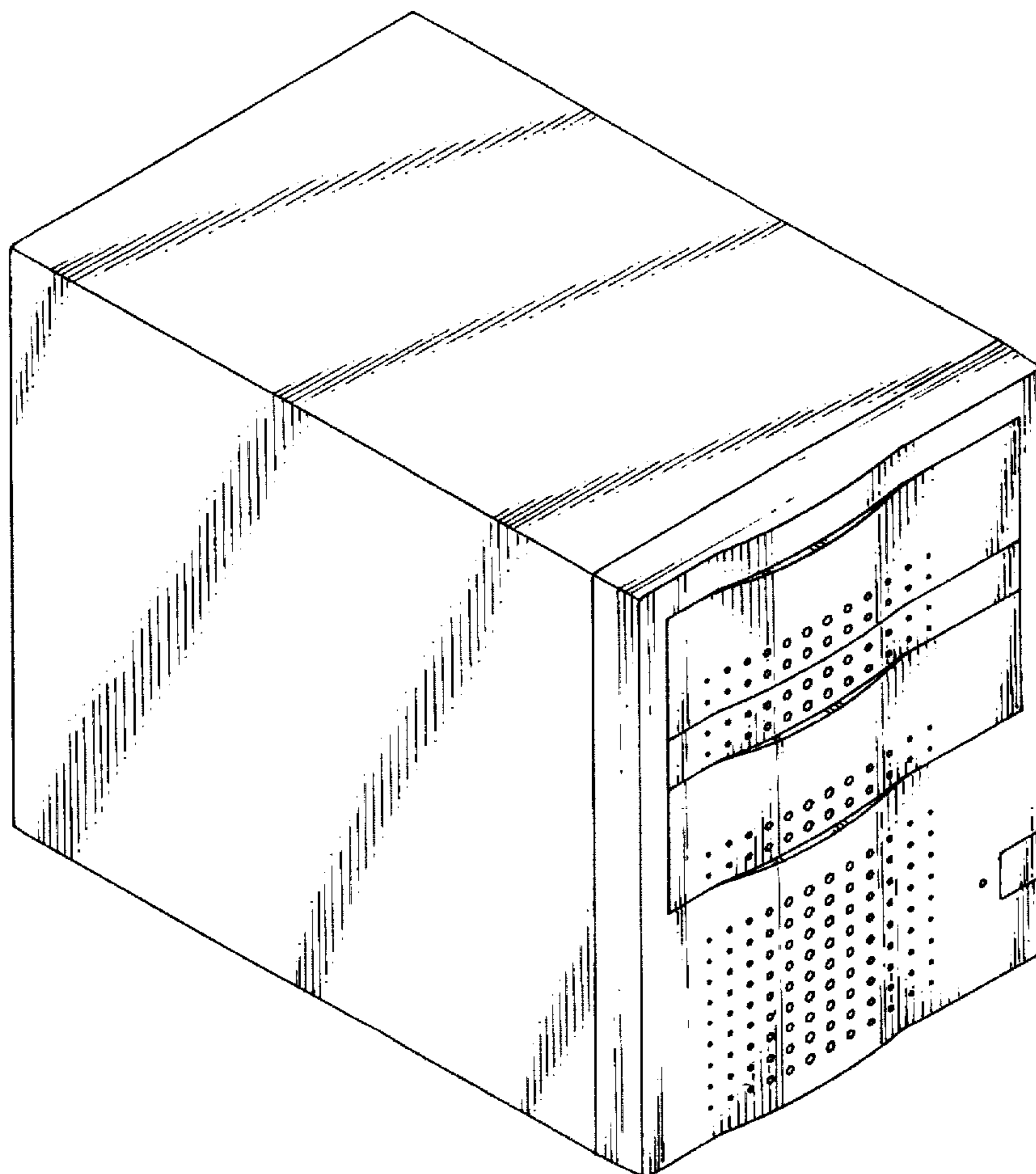
[57] **CLAIM**

The ornamental design for a hard disk drive housing, as shown and described.

**DESCRIPTION**

FIG. 1 is a perspective view of a hard disk drive housing showing my new design;  
FIG. 2 is a front view thereof;  
FIG. 3 is a rear view thereof;  
FIG. 4 is a left side elevational view thereof;  
FIG. 5 is a right side elevational view thereof;  
FIG. 6 is a top plan view thereof; and,  
FIG. 7 is a bottom plan view thereof.

**1 Claim, 4 Drawing Sheets**



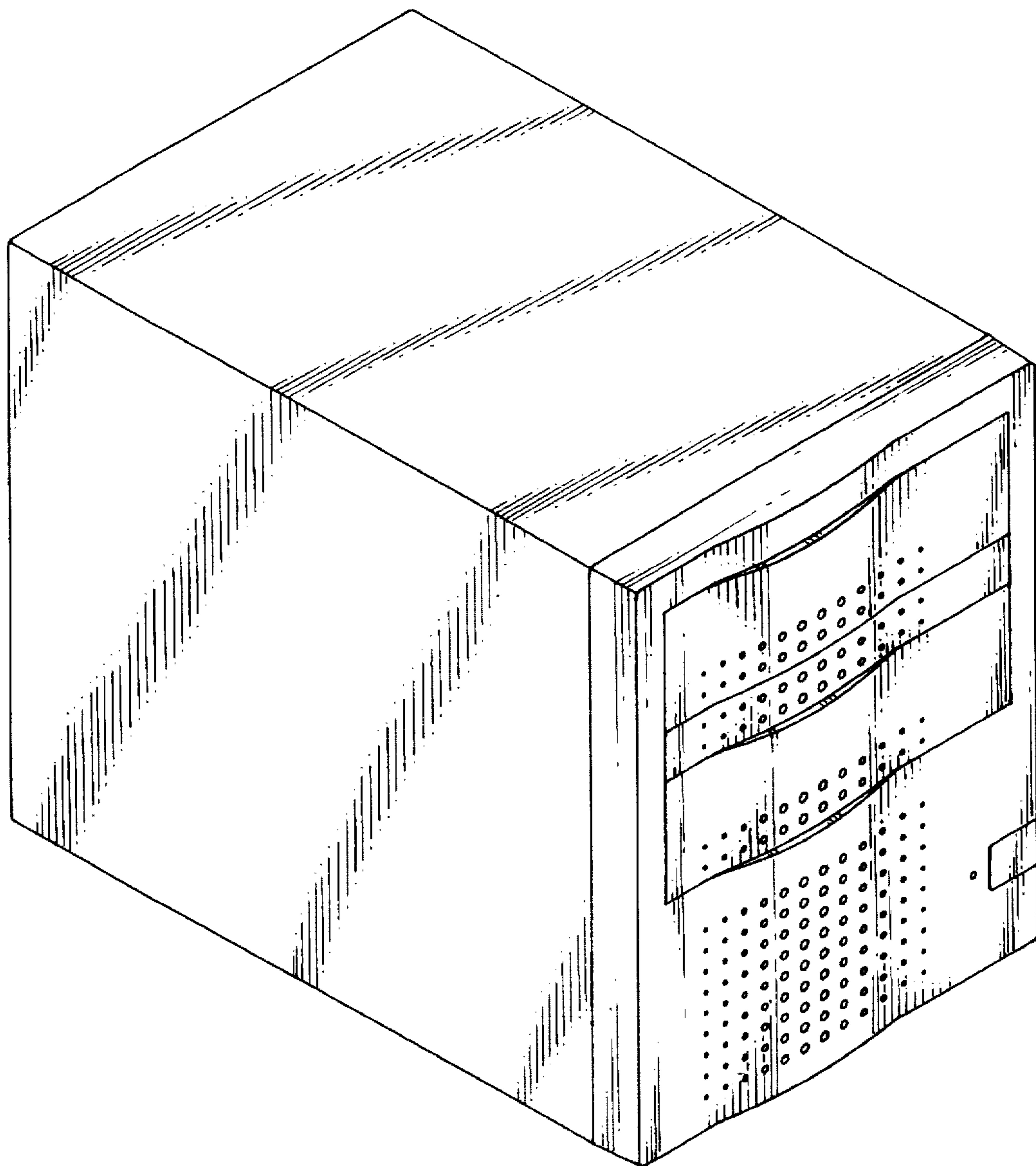


FIG. 1

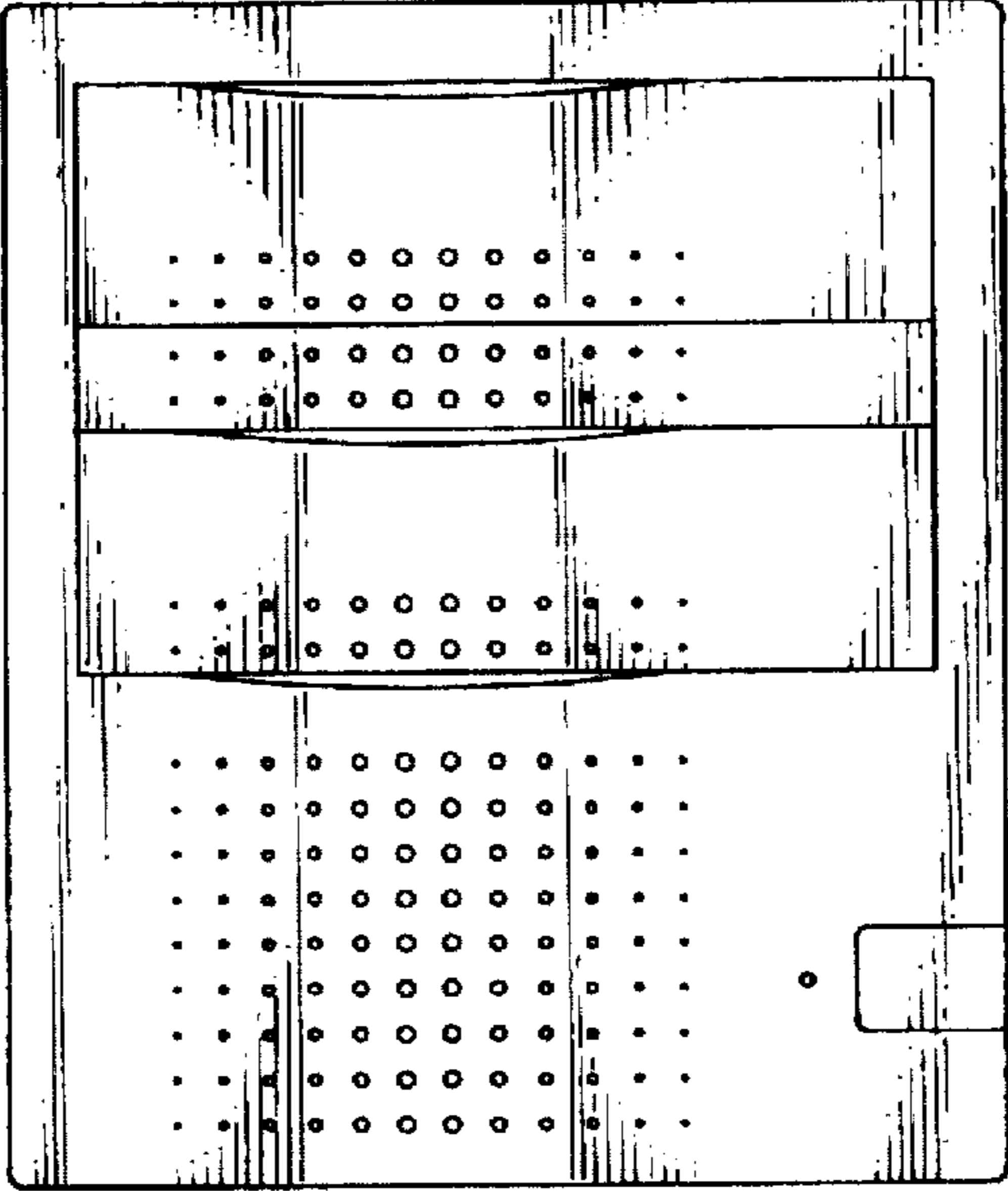


FIG. 2

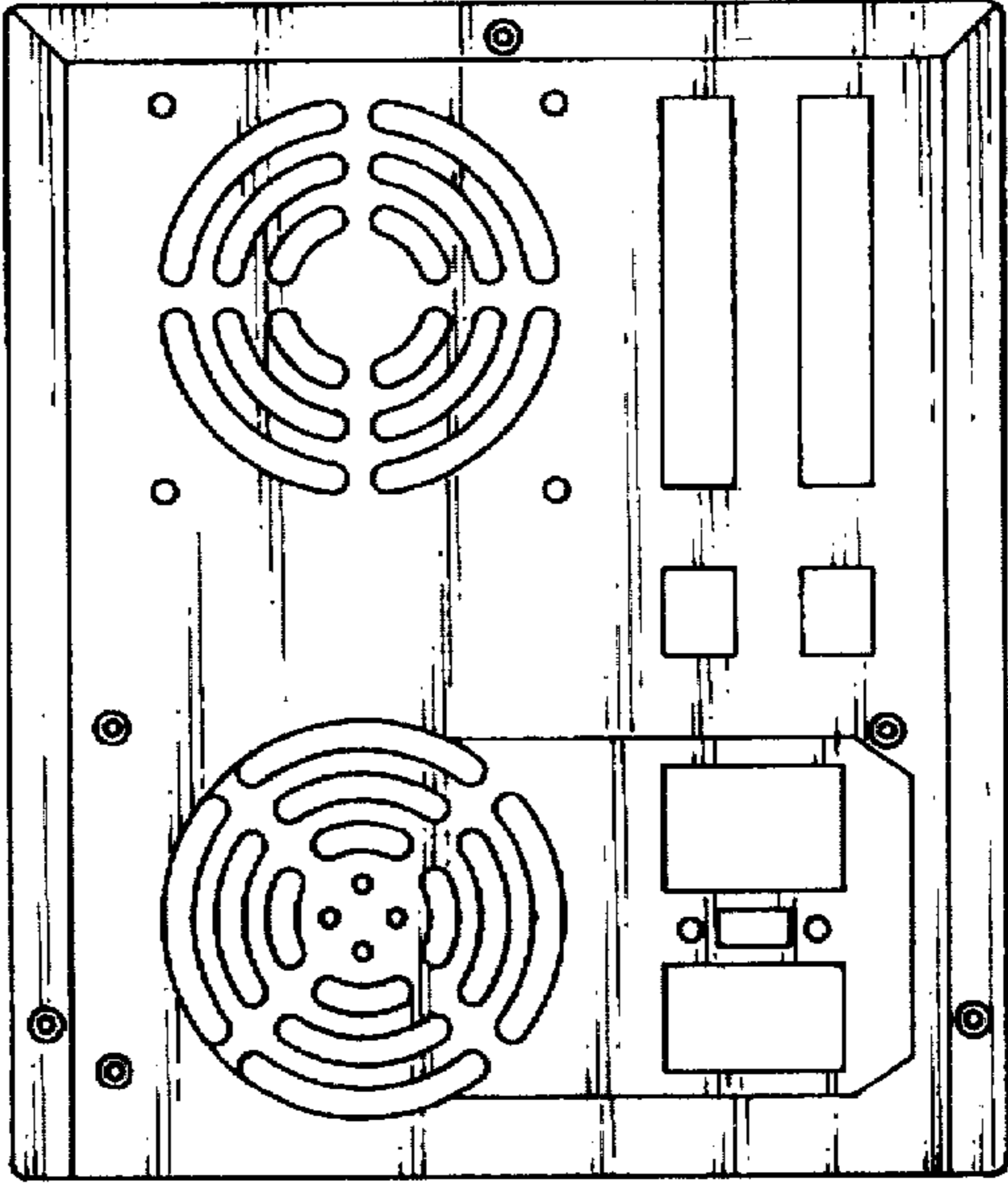


FIG. 3

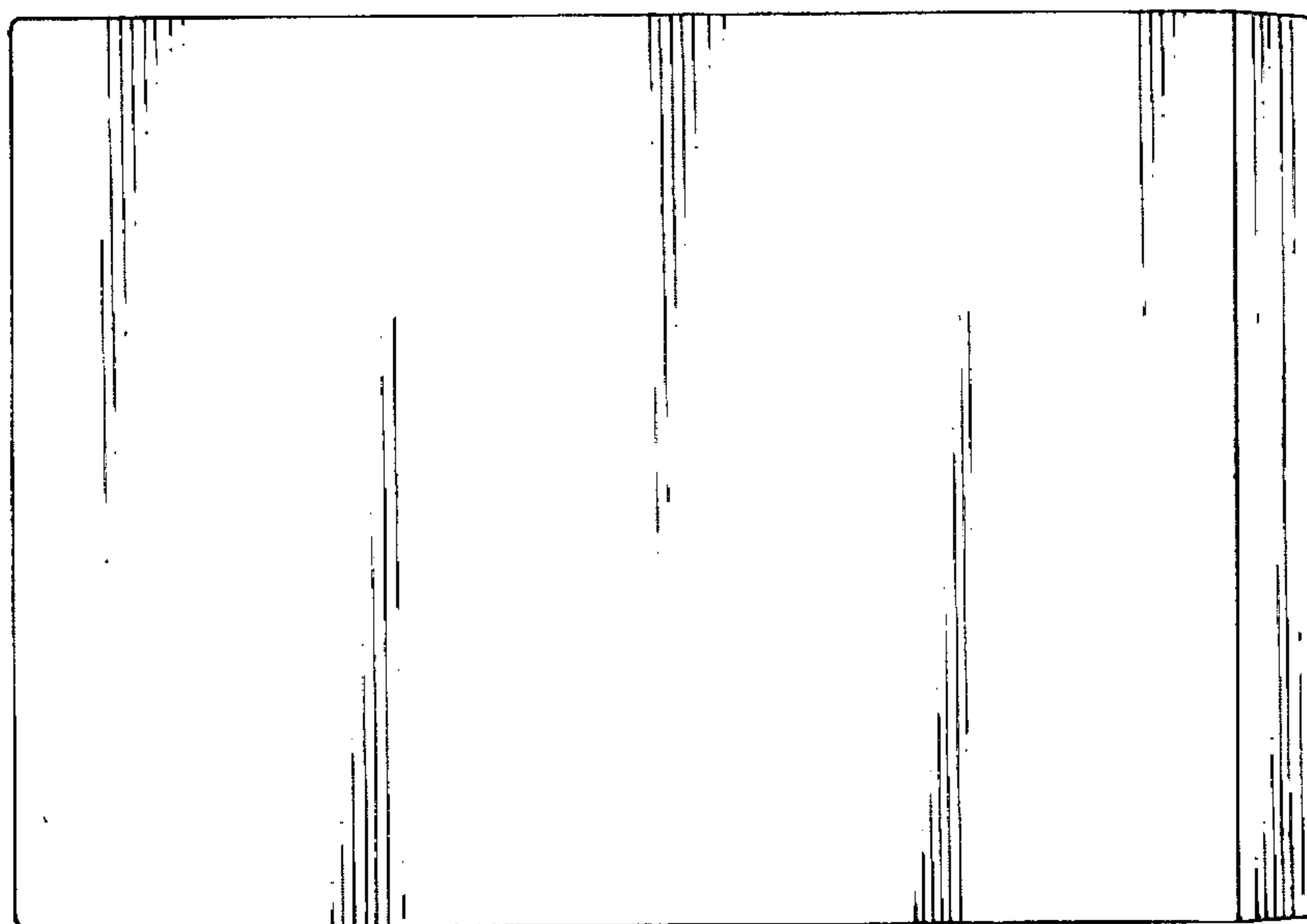


FIG. 4

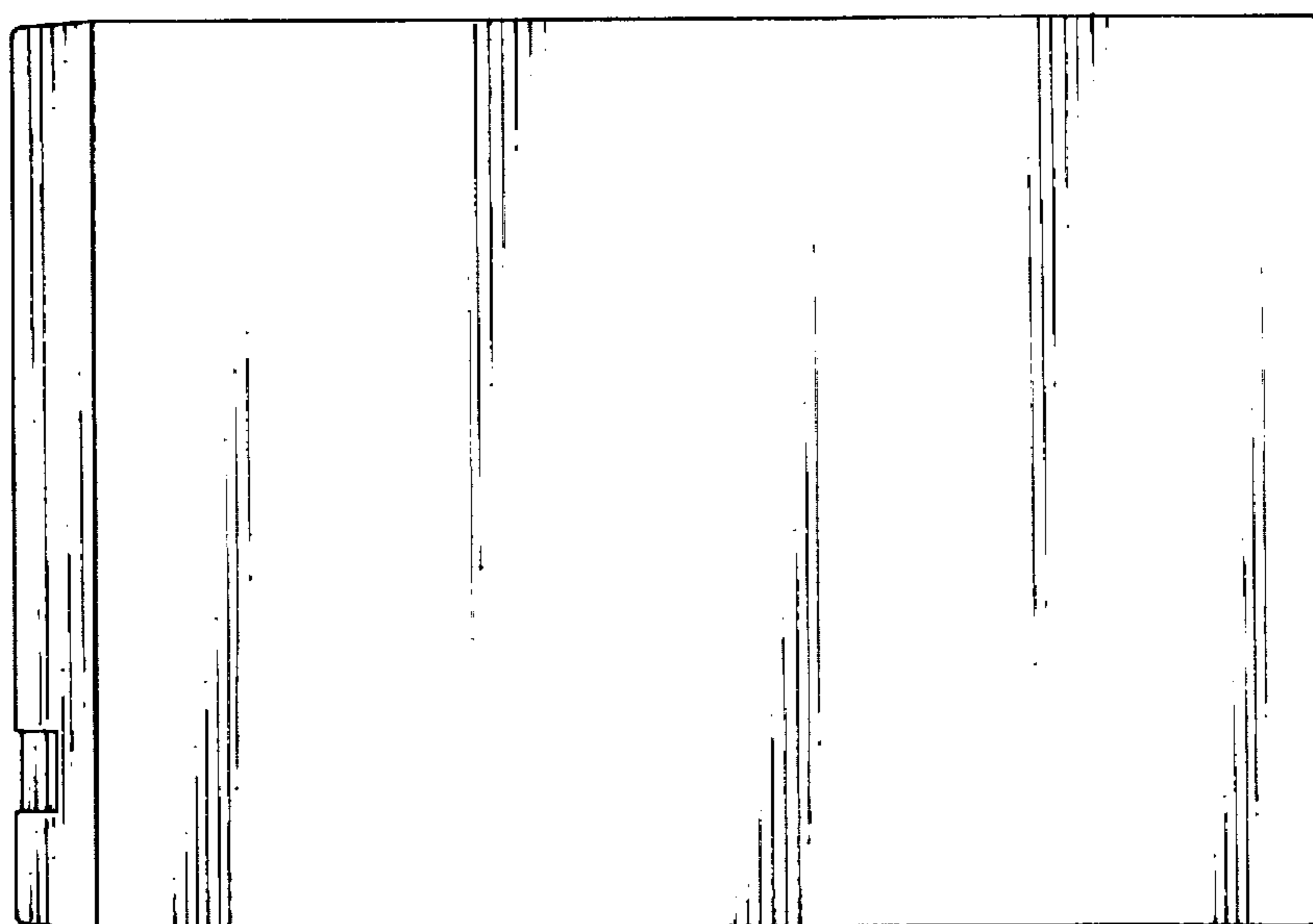


FIG. 5

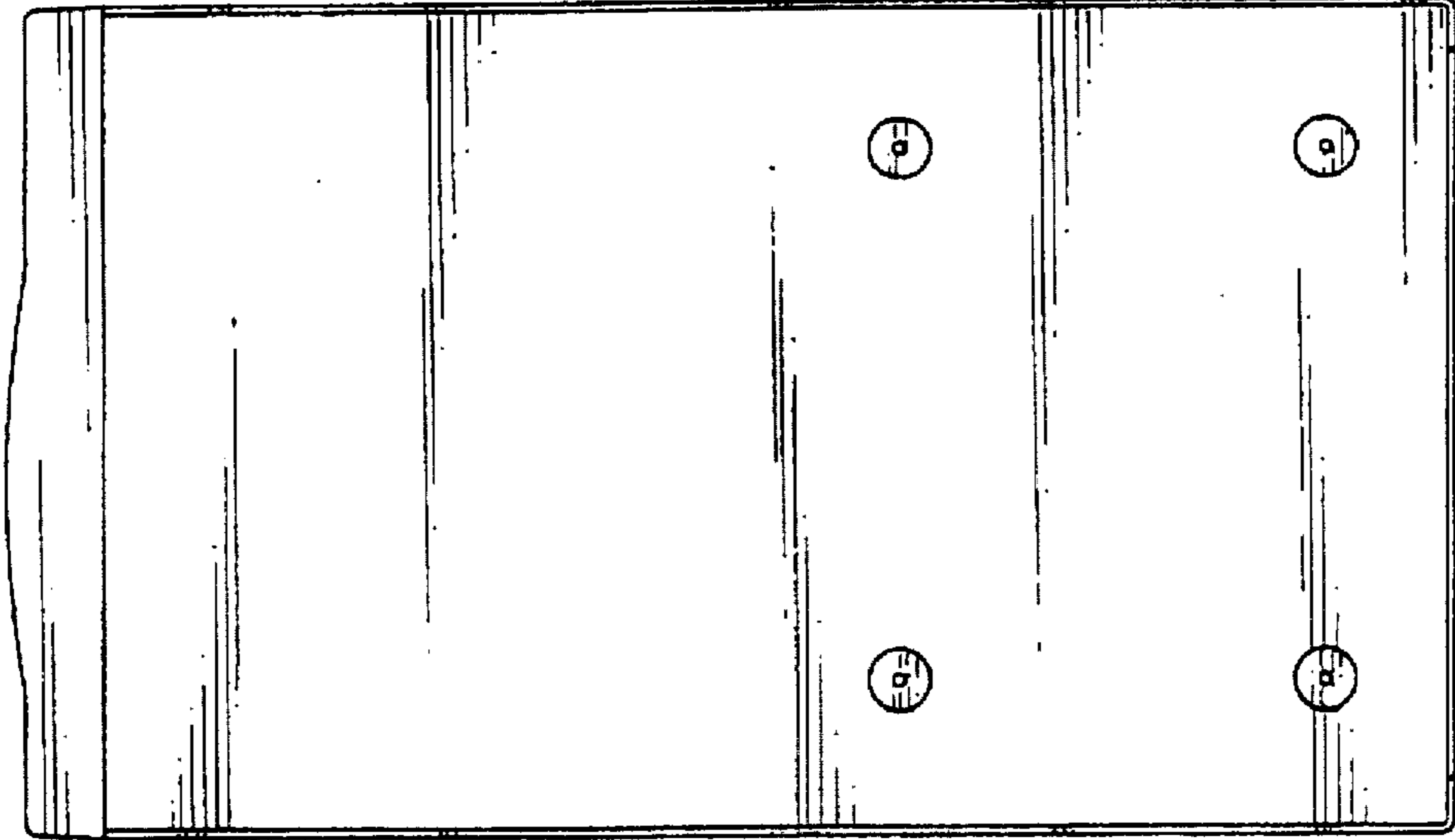


FIG. 7

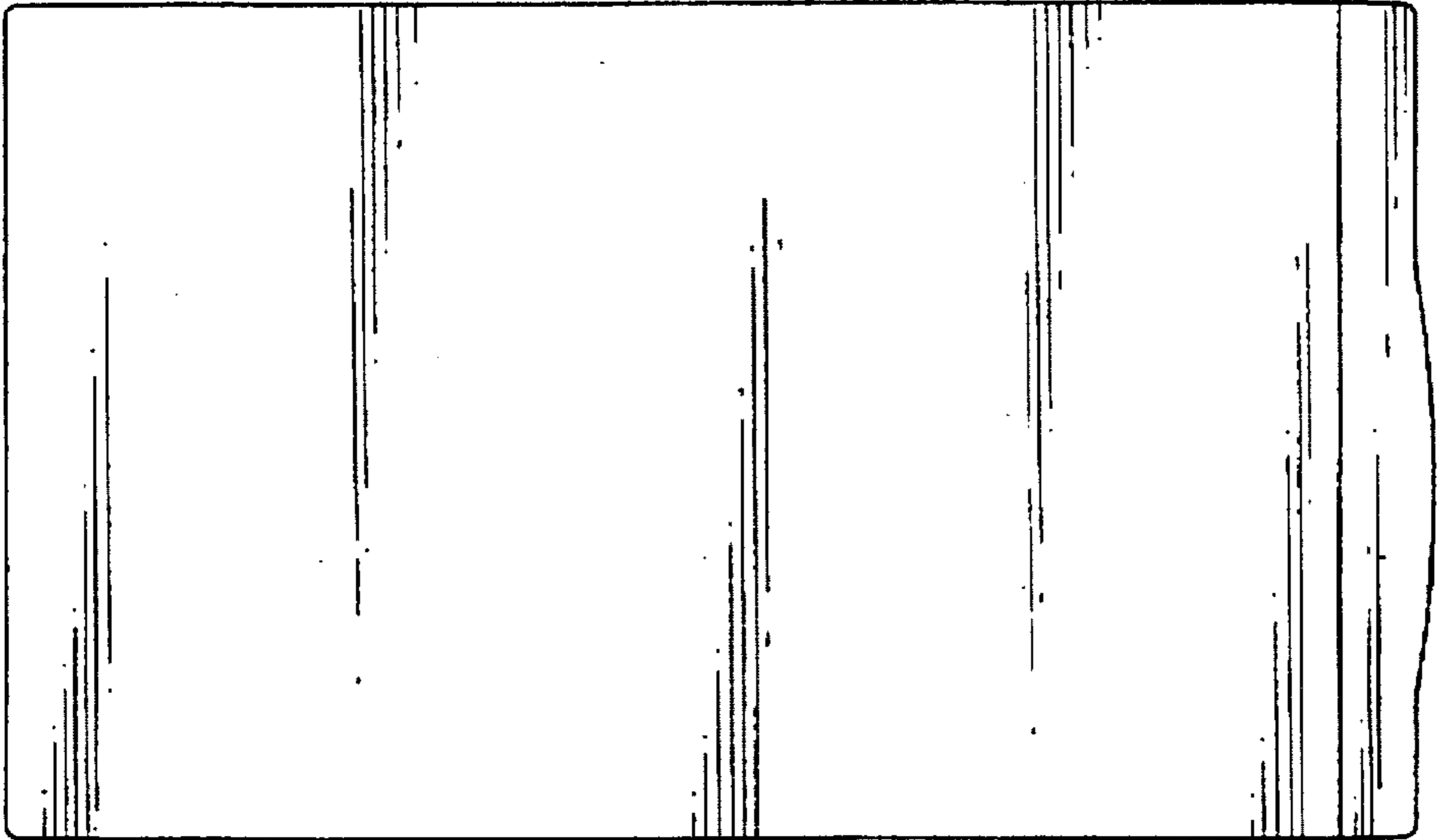


FIG. 6