



US00D392621S

United States Patent [19]

Lorenzo Regidor

[11] Patent Number: **Des. 392,621**

[45] Date of Patent: ****Mar. 24, 1998**

[54] COMBINATION SWITCH PUSH BUTTON AND COLLAR

[75] Inventor: **Angel Lorenzo Regidor, Sant Boi Llobregat, Spain**

[73] Assignee: **Industrias Lorenzo, S.A., Sant Climent de Llobregat, Spain**

[**] Term: **14 Years**

[21] Appl. No.: **21,533**

[22] Filed: **Apr. 20, 1994**

[30] Foreign Application Priority Data

Oct. 20, 1993 [ES] Spain 131.147

[51] LOC (6) Cl. **13-03**

[52] U.S. Cl. **D13/174**

[58] Field of Search D13/171; 200/293, 200/314, 341, 520

[56] References Cited

U.S. PATENT DOCUMENTS

D. 201,801	8/1965	Stevenson	D13/171
2,740,023	3/1956	Kryder	200/296
3,560,690	2/1971	Luce et al.	200/295
3,676,630	7/1972	Dennison	200/295
4,758,699	7/1988	Ciriscioli	200/5 A X
5,077,454	12/1991	Lorenzo	200/296 X
5,099,094	3/1992	Torma et al	200/296

FOREIGN PATENT DOCUMENTS

230975	1/1964	Australia	200/339
294853	11/1967	Australia	200/296
652474	12/1964	Belgium	200/293
1204299	11/1965	Germany	439/135
1213512	3/1966	Germany	200/339
3938489	5/1991	Germany	200/293
185281	9/1922	United Kingdom	200/520

OTHER PUBLICATIONS

Otto push button switches on p. 170 of *Design News* Mar. 13, 1989.

Primary Examiner—Joel Sincavage

Attorney, Agent, or Firm—Jacobson, Price, Holman & Stern, PLLC

[57] CLAIM

The ornamental design for a combination switch push button and collar, as shown and described.

DESCRIPTION

FIG. 1 is a side elevational view of a combination switch push button and collar showing my new design. The broken line showing is included for the purpose of illustrating environmental structure only and forms no part of the claimed design;

FIG. 2 is an enlarged partial view thereof;

FIG. 3 is a top plan view thereof; and,

FIG. 4 is a bottom plan view thereof.

1 Claim, 1 Drawing Sheet

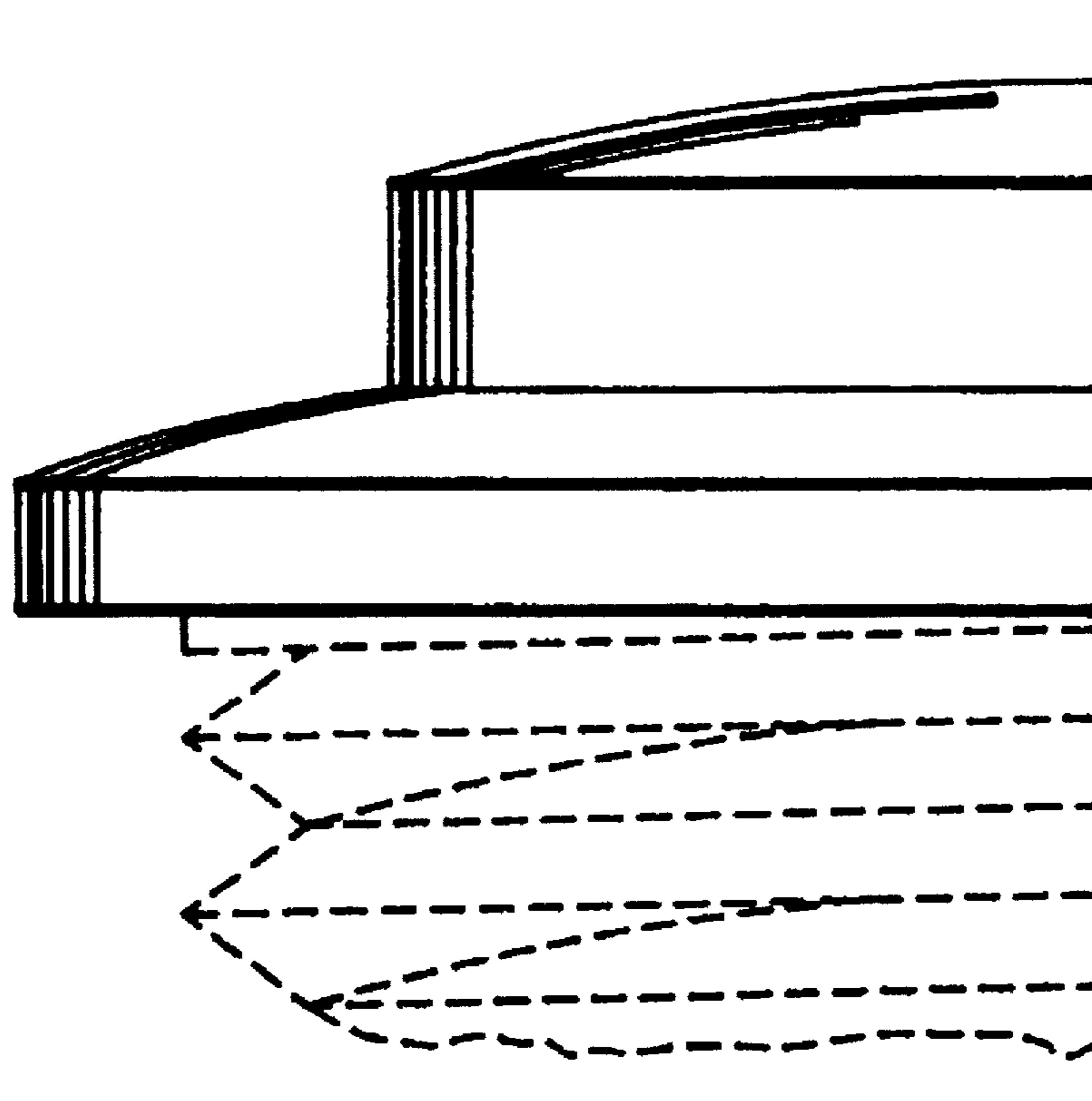


FIG. 1

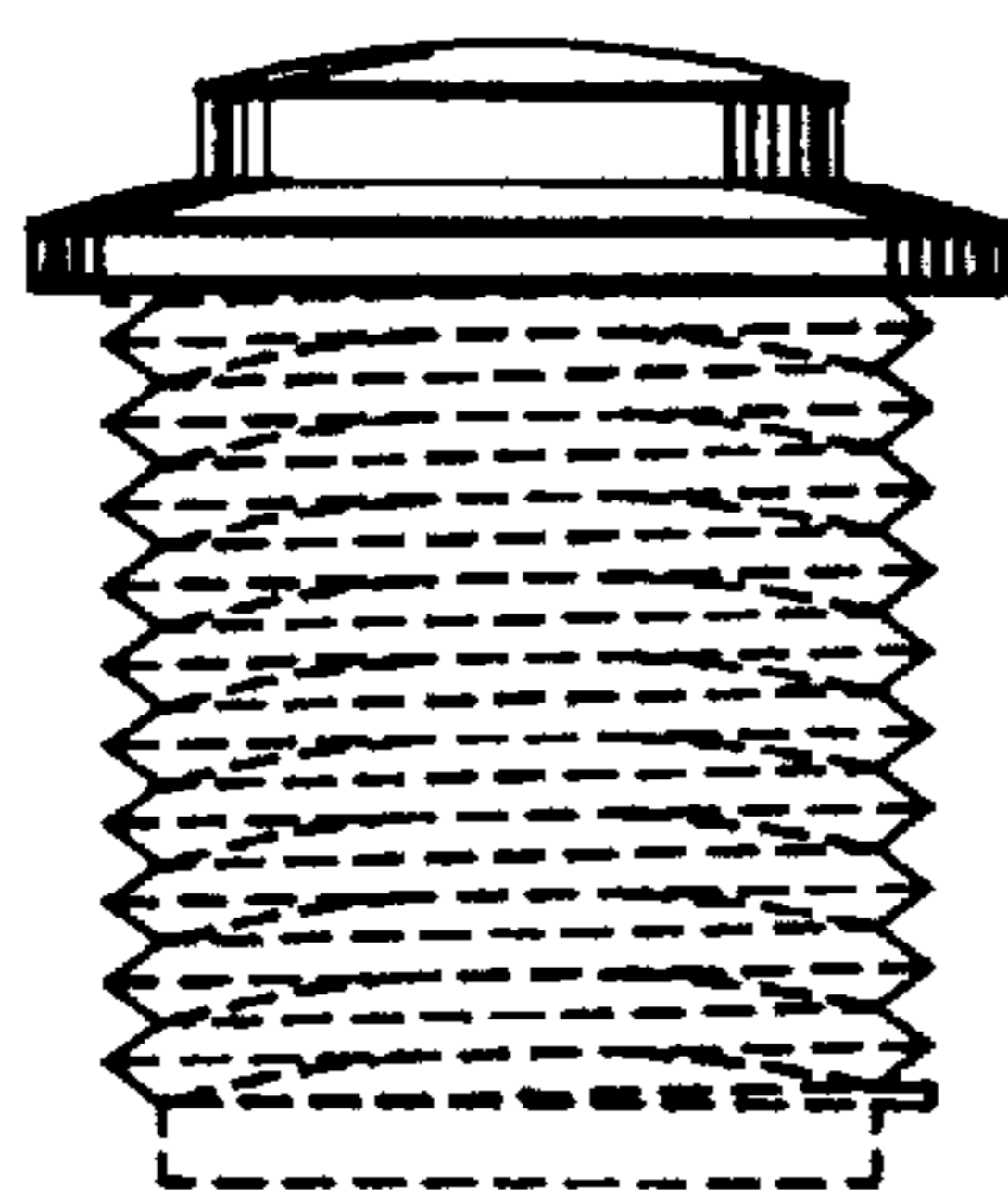


FIG. 3

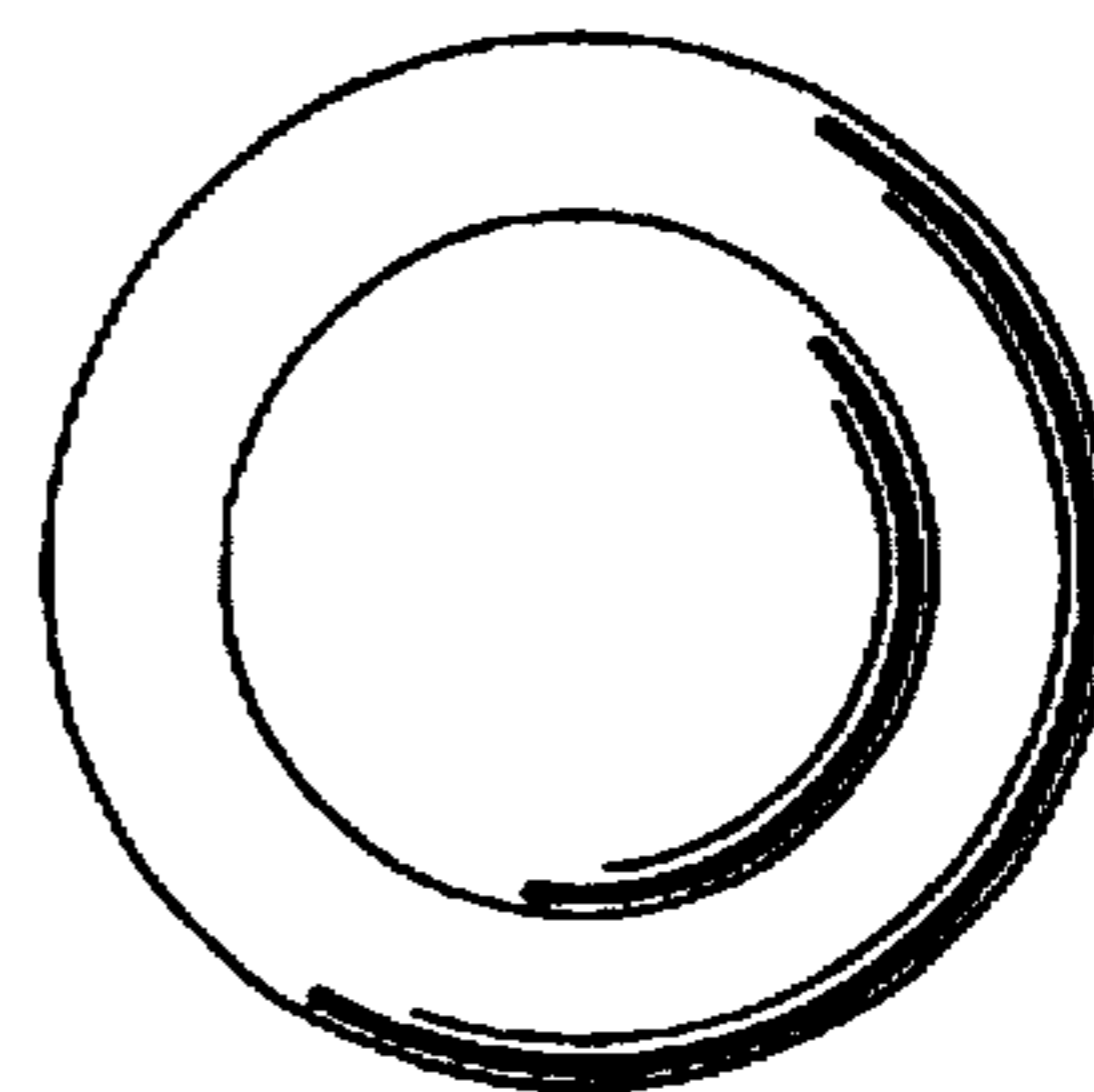


FIG. 2

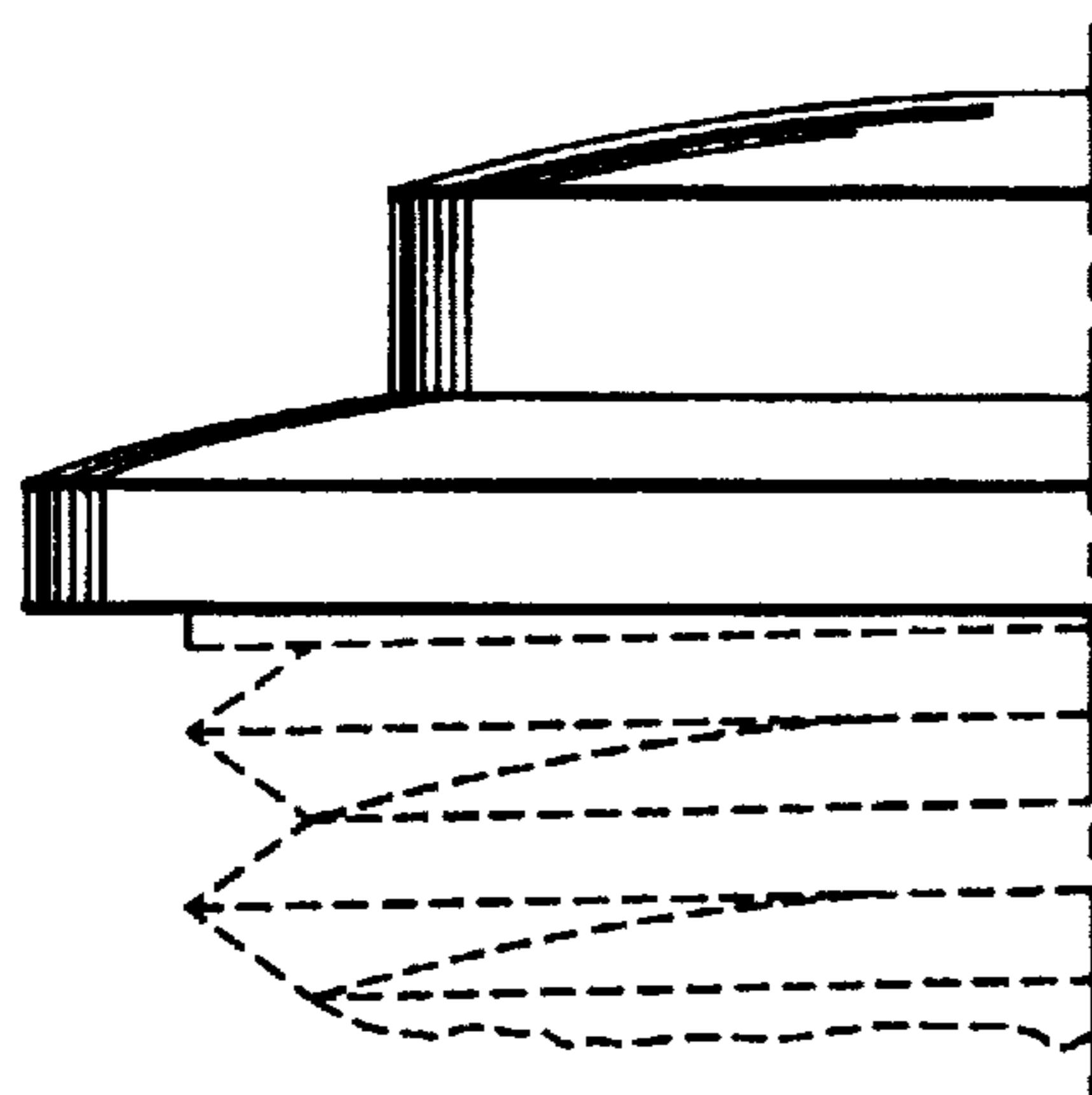


FIG. 4

