



US00D392620S

**United States Patent** [19]  
**Ashcraft et al.**

[11] **Patent Number: Des. 392,620**  
[45] **Date of Patent: \*\*Mar. 24, 1998**

[54] **HAND PENDANT WITH UNIVERSAL HANGER/STAND**

4,680,790 7/1987 Packard et al. .  
5,592,153 1/1997 Welling et al. .

[75] **Inventors: David N. Ashcraft, Mt. Pleasant; Timothy W. Perez, James Island, both of S.C.**

*Primary Examiner*—James Gandy  
*Assistant Examiner*—Cathron B. Matta  
*Attorney, Agent, or Firm*—Barnes & Thornburg

[73] **Assignee: Hill-Rom Company, Inc., Batesville, Ind.**

[57] **CLAIM**

[\*\*] **Term: 14 Years**

The ornamental design for a hand pendant with universal hanger/stand, as shown and described.

[21] **Appl. No.: 59,190**

**DESCRIPTION**

[22] **Filed: Sep. 4, 1996**

FIG. 1 is a perspective view of the front and right side of a hand pendant with universal hanger/stand showing our new design;

[51] **LOC (6) Cl. .... 13-03**

[52] **U.S. Cl. .... D13/168**

FIG. 2 is a front view of the hand pendant with universal hanger/stand of FIG. 1;

[58] **Field of Search** ..... D13/158, 168; D10/104, 106; D14/191, 218; D21/48, 111, 141.1; 70/256, 257; 123/197.2; 340/825.31, 825.57, 825.69, 825.72; 341/176; 348/734; 359/142; 362/109

FIG. 3 is a right side view of the hand pendant with universal hanger/stand of FIG. 2;

FIG. 4 is a back view of the hand pendant with universal hanger/stand of FIG. 2;

FIG. 5 is a bottom view of the hand pendant with universal hanger/stand of FIG. 2;

FIG. 6 is a top view of the hand pendant with universal hanger/stand of FIG. 2;

FIG. 7 is a right side view of the hand pendant with universal hanger/stand of FIG. 2 in a hanging position;

FIG. 8 is a right side view of the hand pendant with universal hanger/stand of FIG. 2 in a first standing position; and,

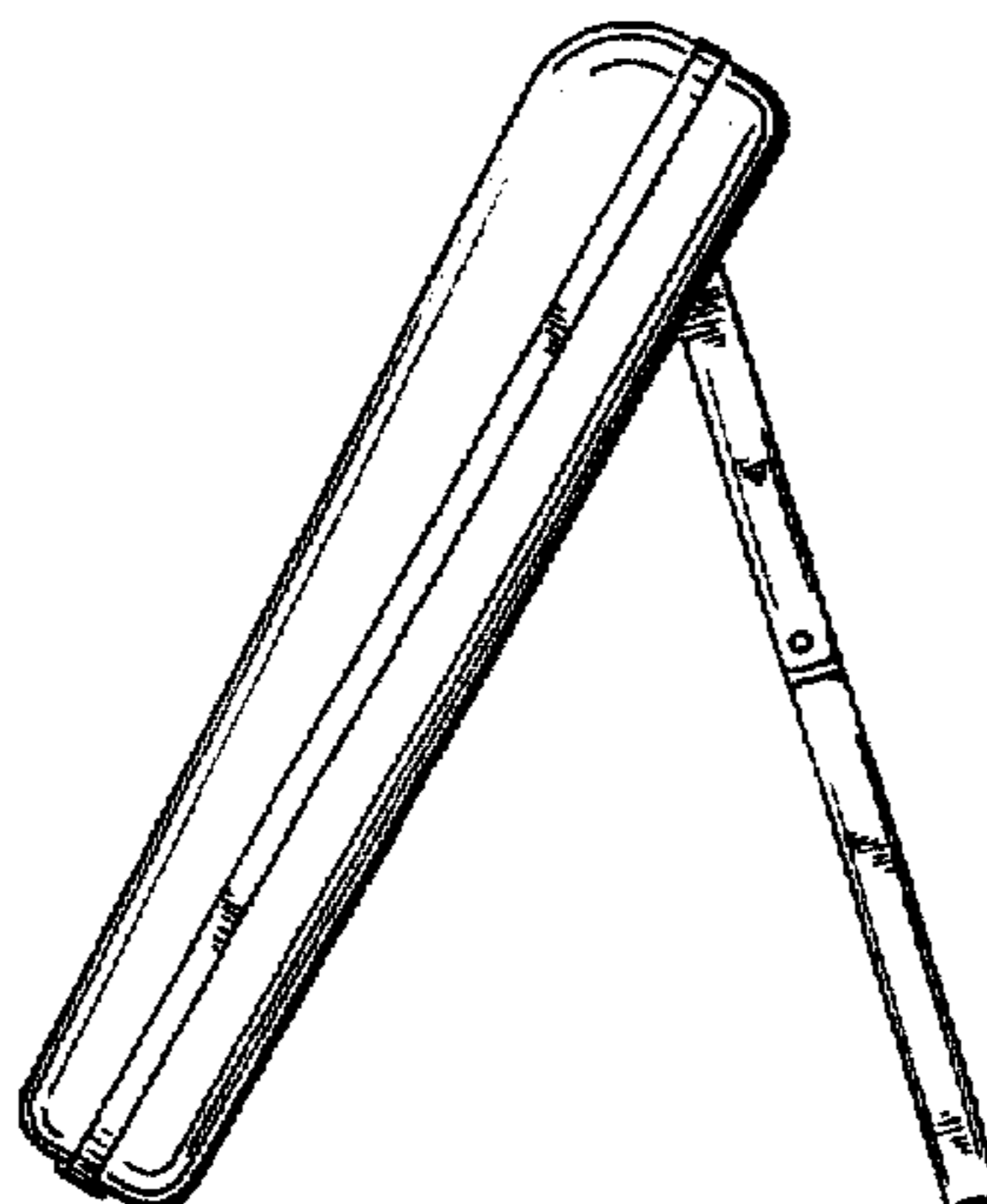
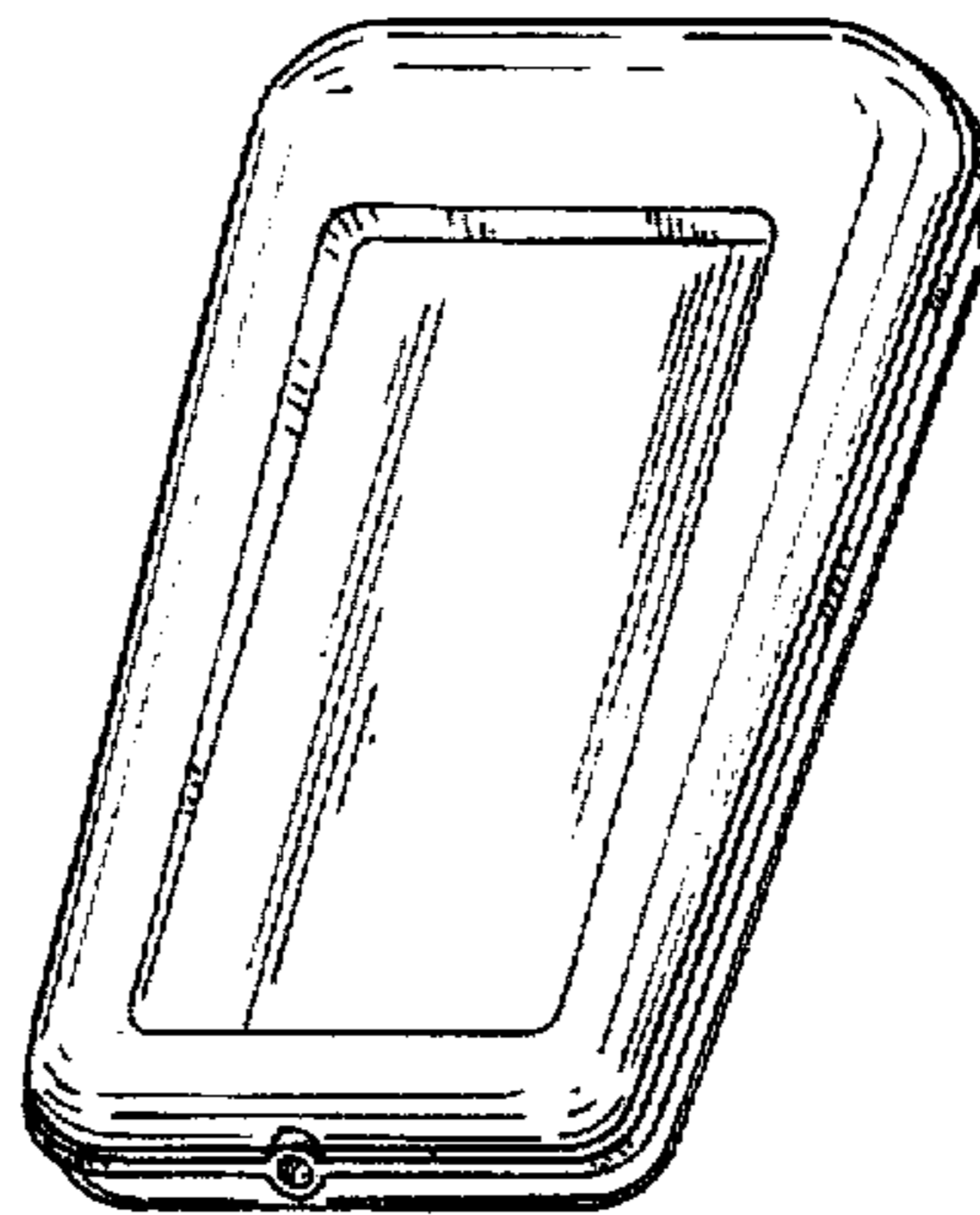
FIG. 9 is a right side view of the hand pendant with universal hanger/stand of FIG. 2 thereof in a second standing position.

[56] **References Cited**

**U.S. PATENT DOCUMENTS**

D. 309,890	8/1990	Cheng	.....	D14/218	X
D. 352,504	11/1994	Scheid et al.	.....	D14/191	
D. 355,657	2/1995	Scheid et al.	.....	D14/191	X
D. 371,198	6/1996	Savage et al.	.....	D13/168	X
D. 373,576	9/1996	Liggett	.....	D14/100	
D. 375,696	11/1996	Seki et al.	.....	D13/168	X
4,183,015	1/1980	Drew et al.	.....		

**1 Claim, 2 Drawing Sheets**



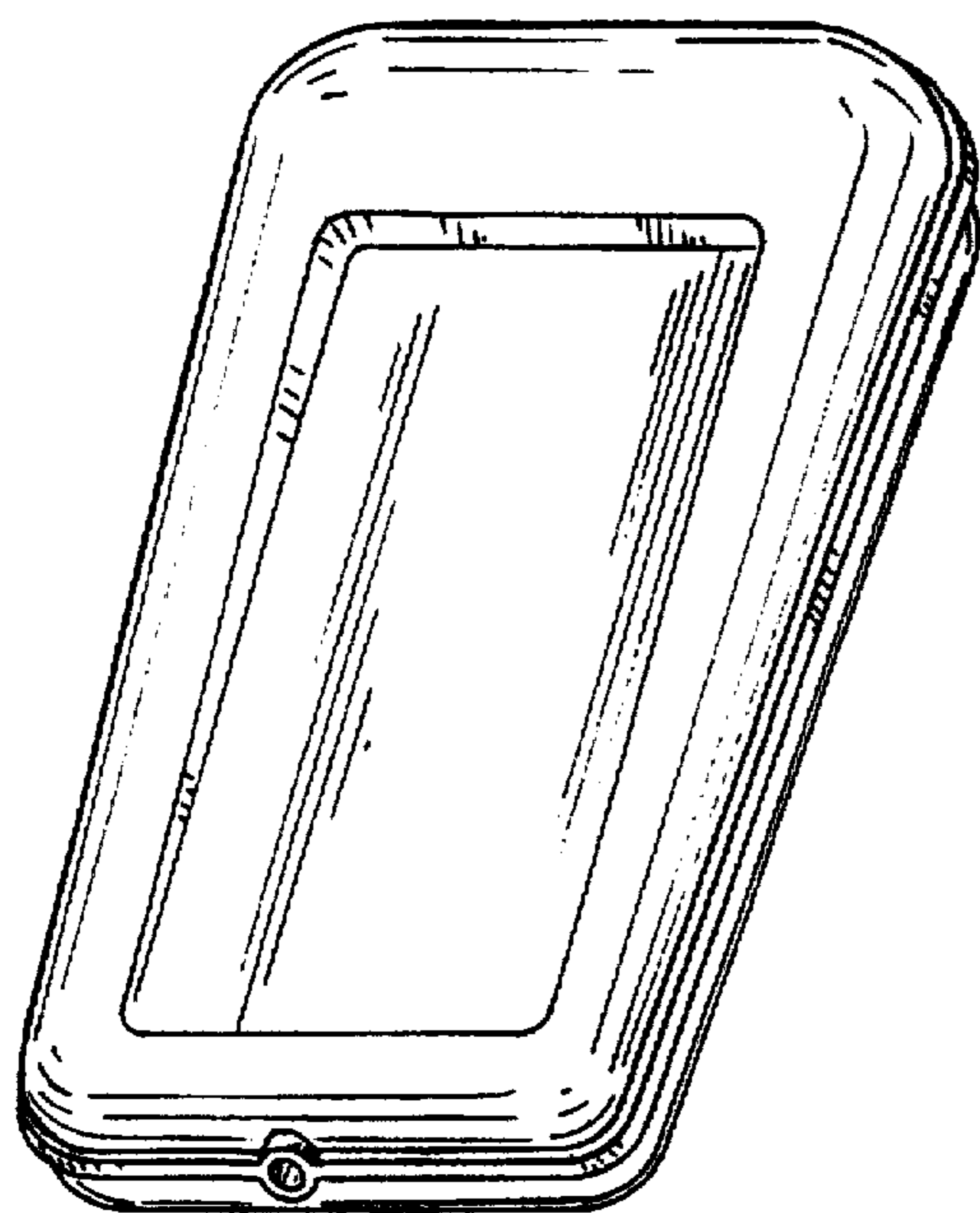


FIG. 1

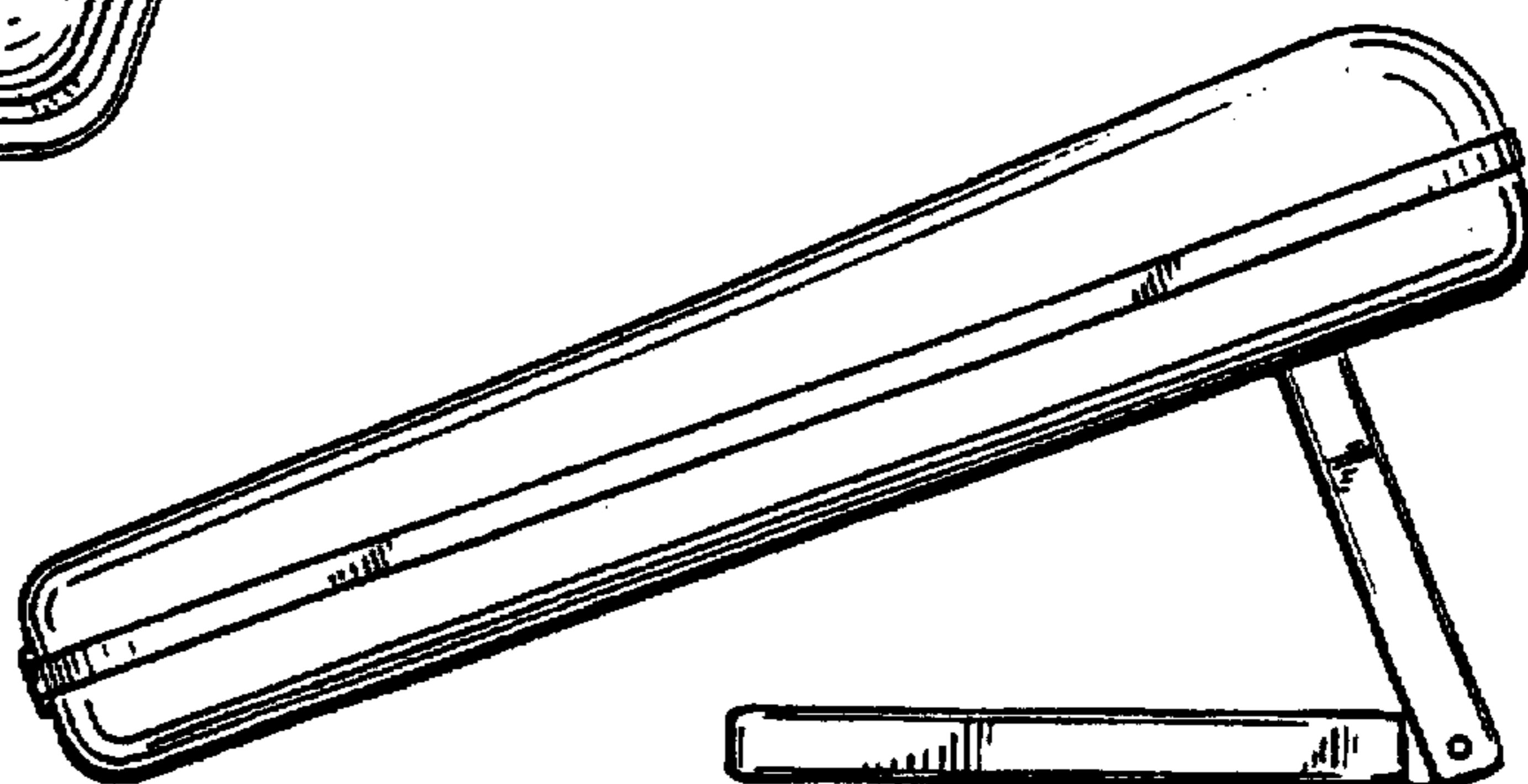


FIG. 9

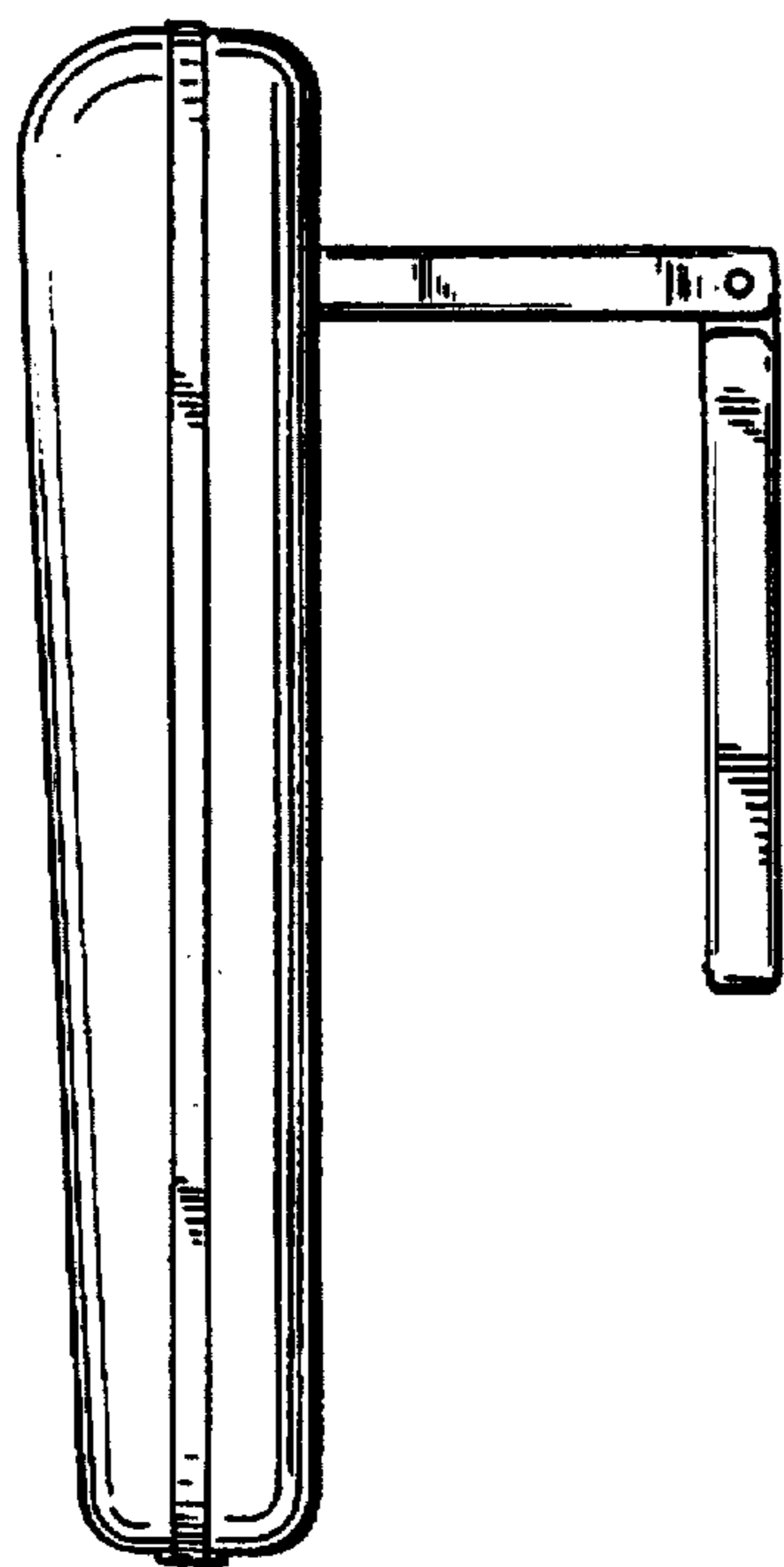


FIG. 7

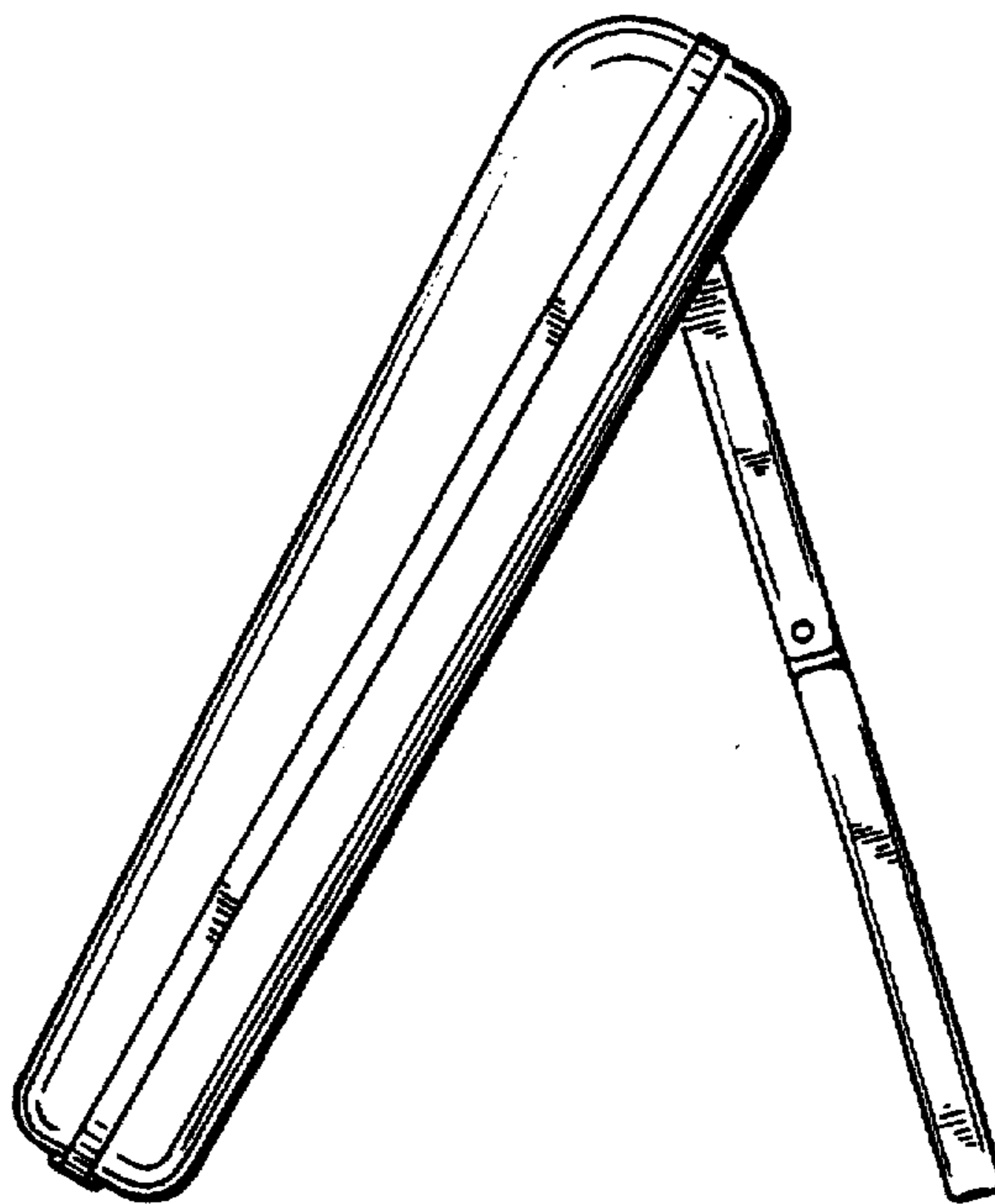


FIG. 8

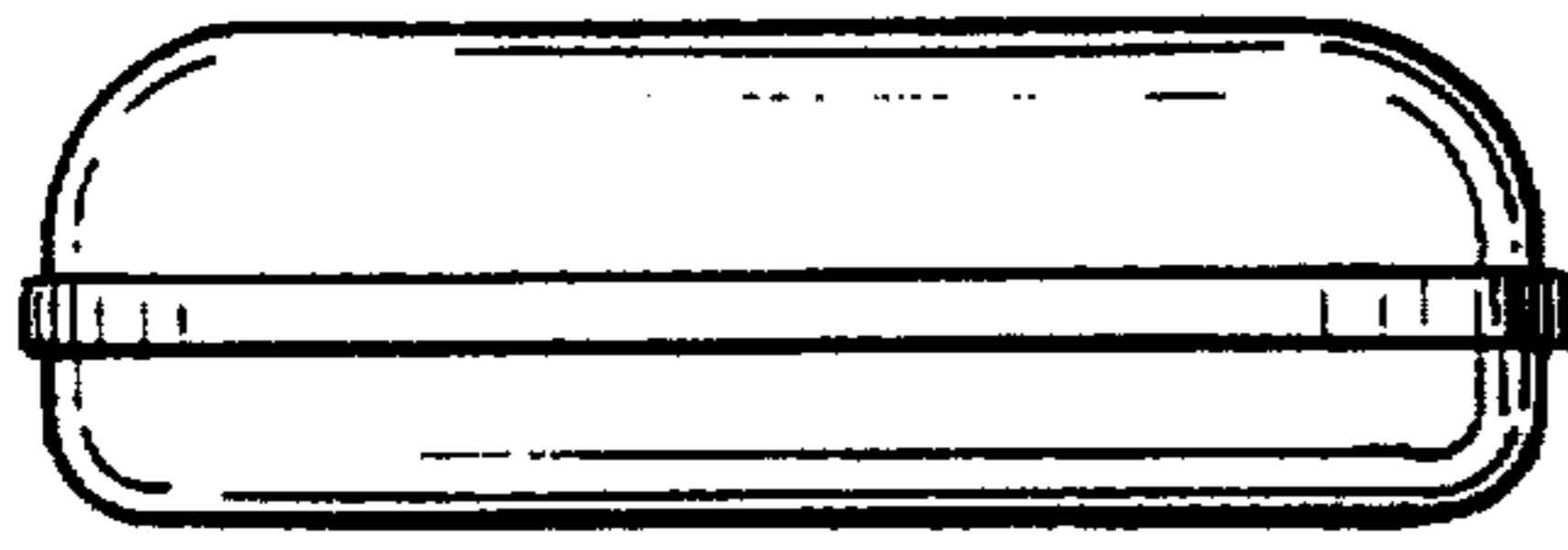


FIG. 6

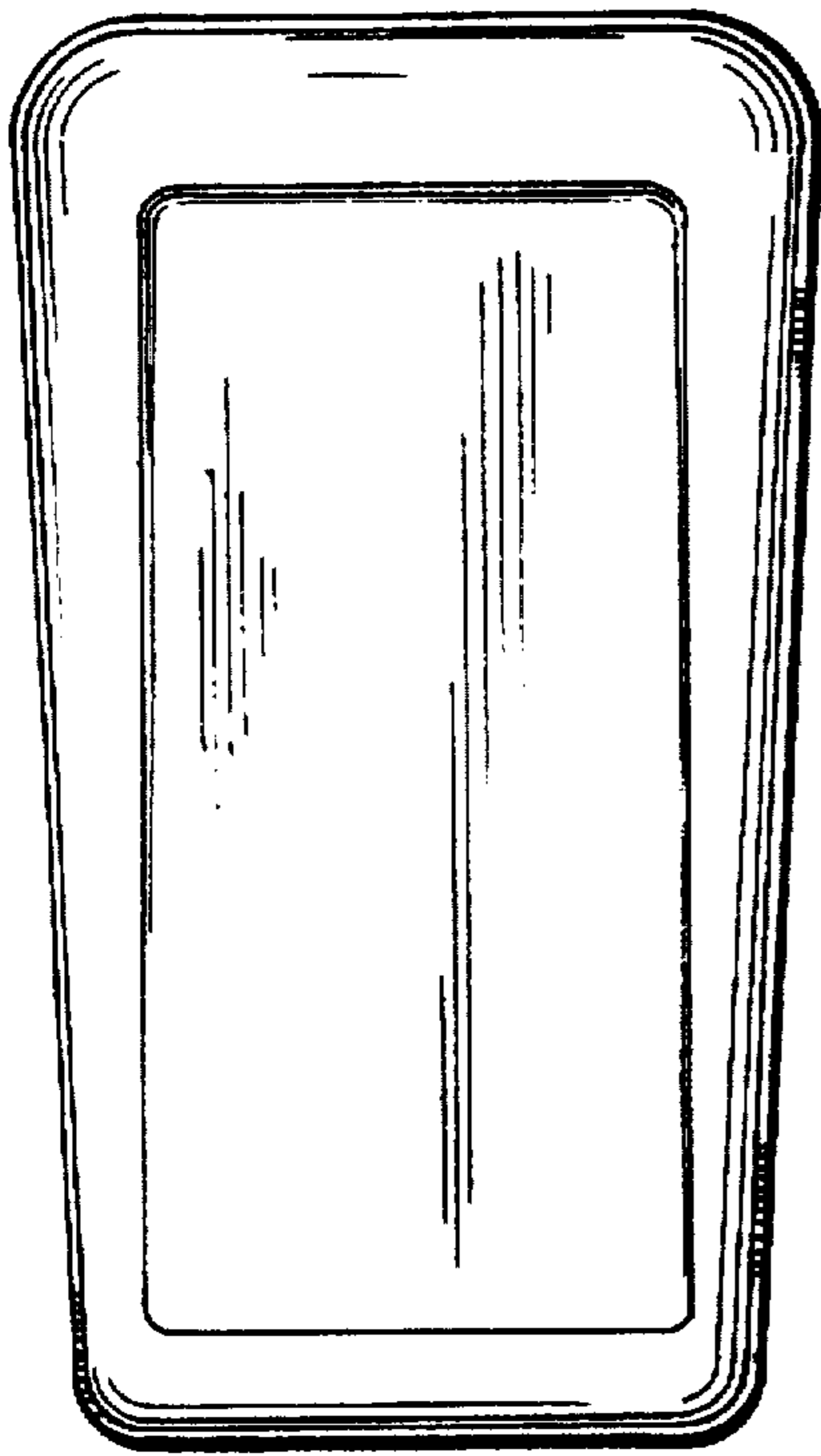


FIG. 2



FIG. 3

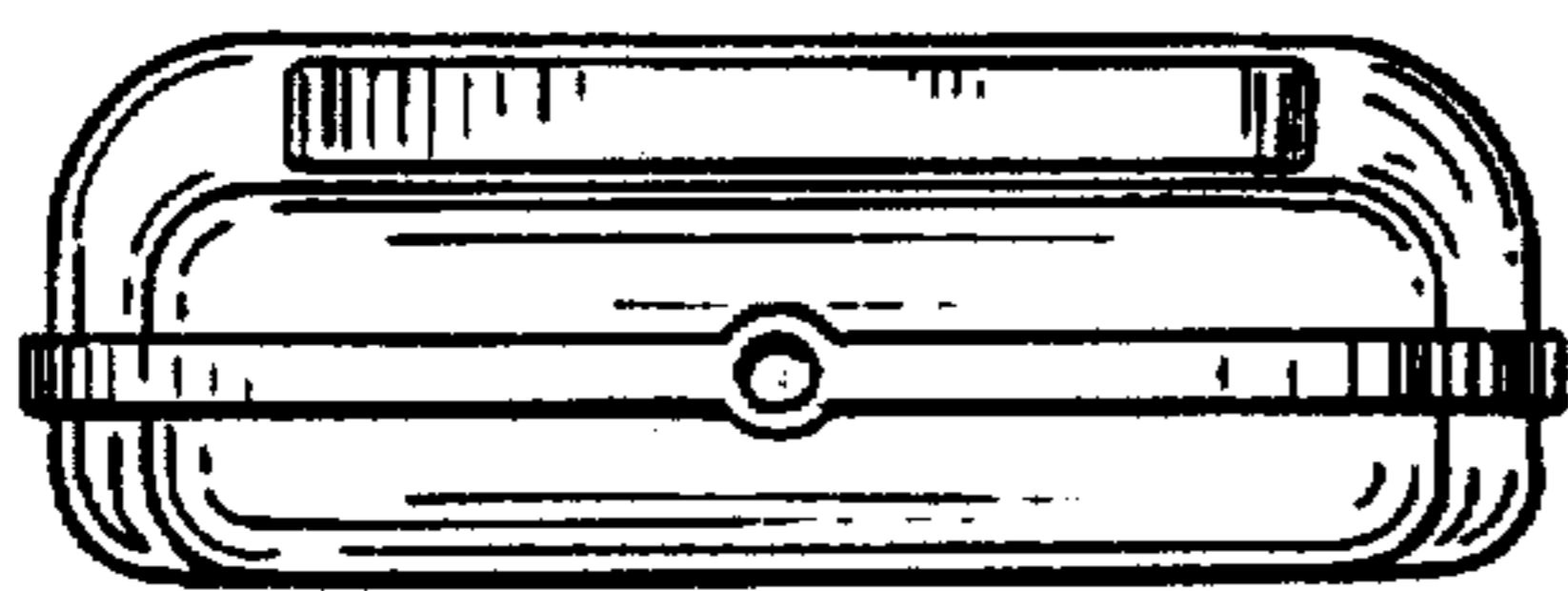


FIG. 5

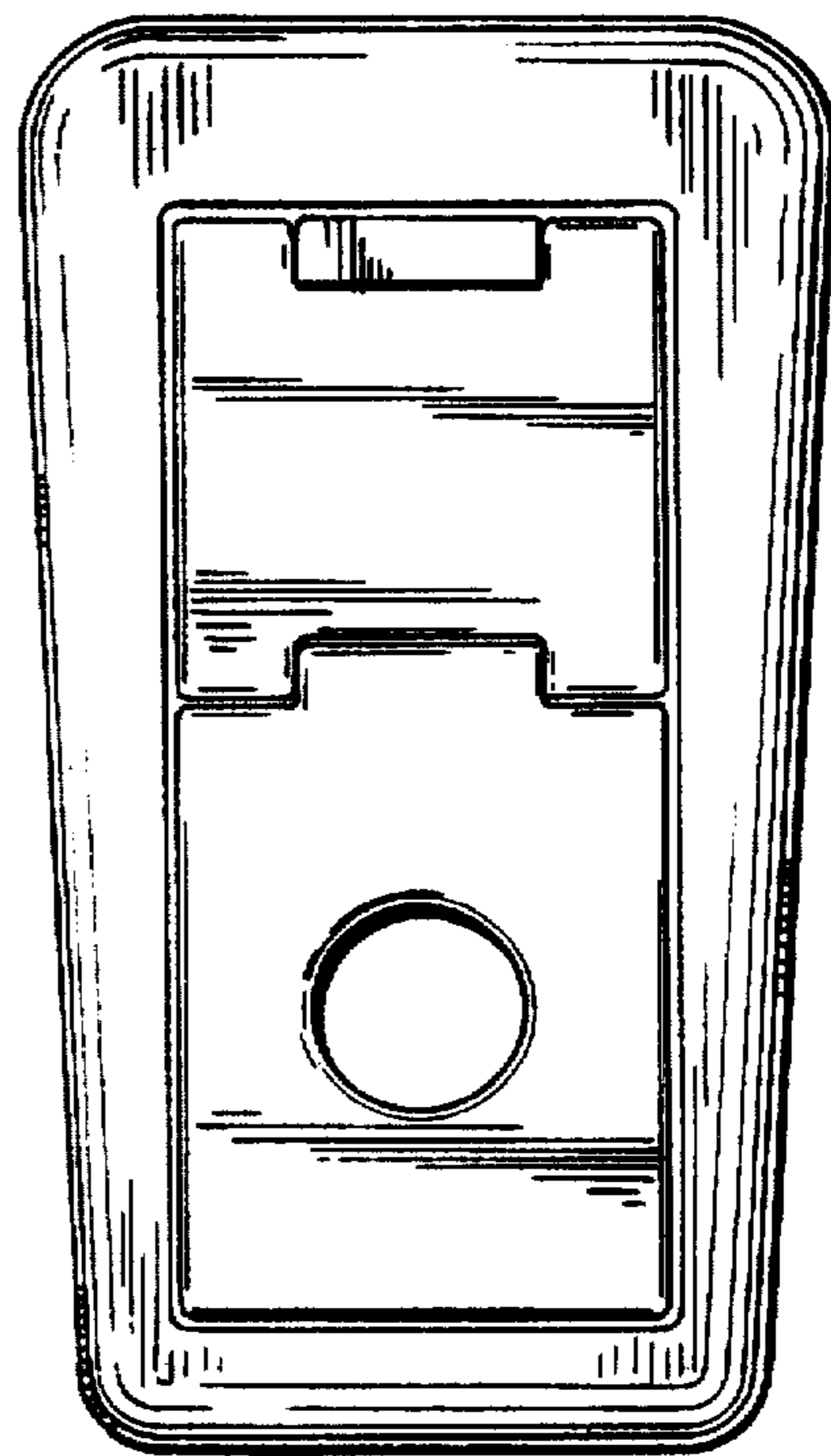


FIG. 4