



US00D392619S

United States Patent [19]
Ericksen

[11] **Patent Number: Des. 392,619**
[45] **Date of Patent: **Mar. 24, 1998**

[54] **SPRINKLER VALVE CONTROLLER UNIT**
[75] **Inventor: Kent C. Ericksen, Centerville, Utah**
[73] **Assignee: Orbit Irrigation Products, Inc., North Salt Lake City, Utah**
[**] **Term: 14 Years**

D. 351,141 10/1994 Van Akkeren et al. D13/168
D. 372,455 8/1996 Tiefenthal et al. D13/108
4,803,473 2/1989 Taylor 455/90 X
5,038,401 8/1991 Intosome 455/92
5,225,763 7/1993 Krohn et al. 320/23

Primary Examiner—James Gandy
Assistant Examiner—Cathron B. Matta
Attorney, Agent, or Firm—J. Winslow Young

[21] **Appl. No.: 51,677**
[22] **Filed: Mar. 15, 1996**

[57] **CLAIM**

The ornamental design for a sprinkler valve controller unit, as shown.

[51] **LOC (6) Cl. 13-03**
[52] **U.S. Cl. D13/168; D13/108**
[58] **Field of Search D13/108, 168; D14/137, 155, 159, 191, 192, 217, 218; D10/104, 106; D21/111, 141.1; 320/23; 340/825.69, 825.72; 341/176; 348/734; 455/89, 90, 95, 151.1–151.4, 352–355**

DESCRIPTION

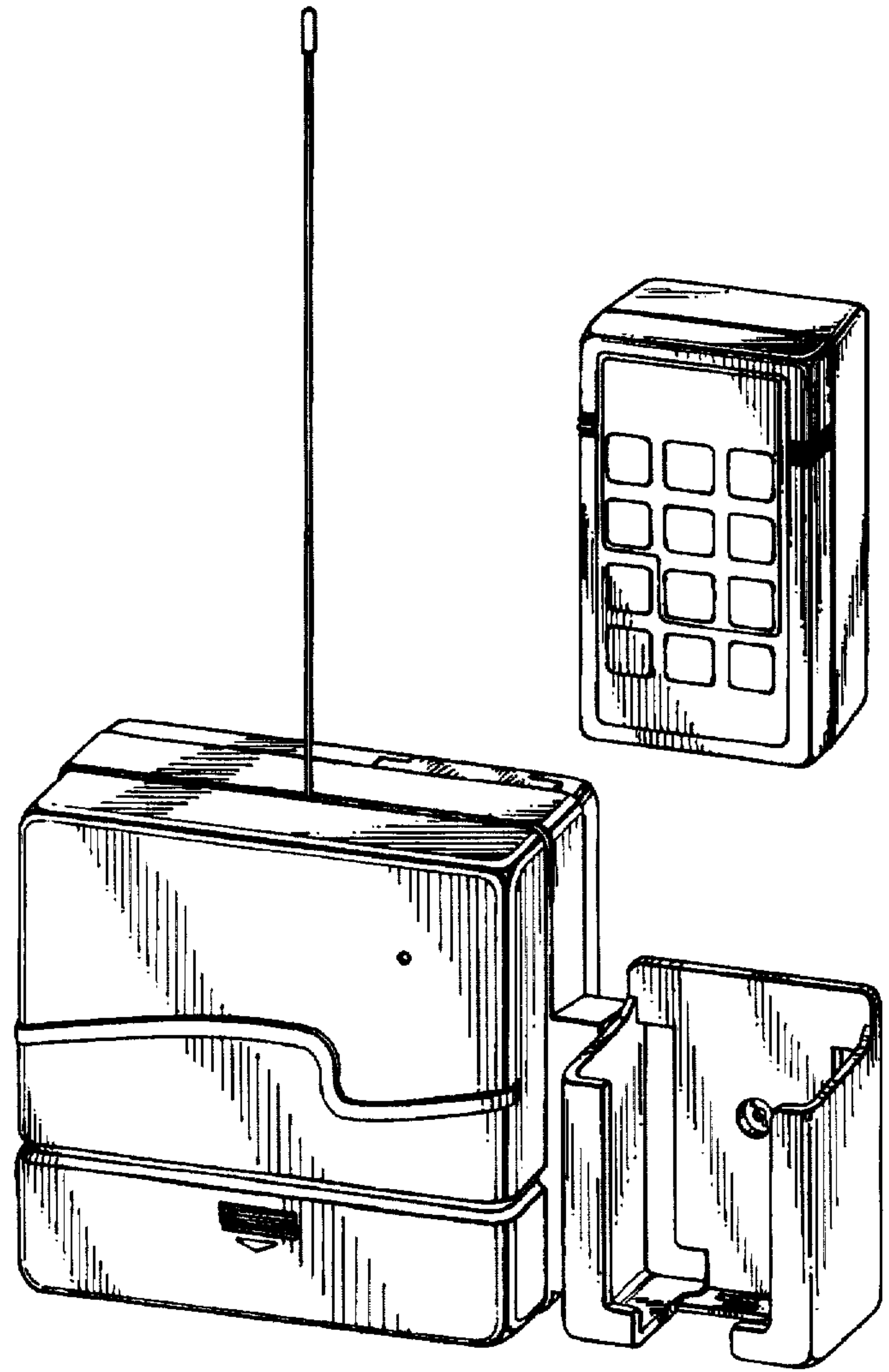
FIG. 1 is an exploded perspective view of the sprinkler valve controller and remote of my sprinkler valve controller unit; FIG. 2 is a front view thereof; FIG. 3 is a top plan view thereof; FIG. 4 is a left side view thereof; FIG. 5 is a right side view thereof; FIG. 6 is a back view thereof; and, FIG. 7 is a bottom plan view thereof.

[56] **References Cited**

U.S. PATENT DOCUMENTS

D. 350,528 9/1994 Bent et al. D13/108

1 Claim, 4 Drawing Sheets



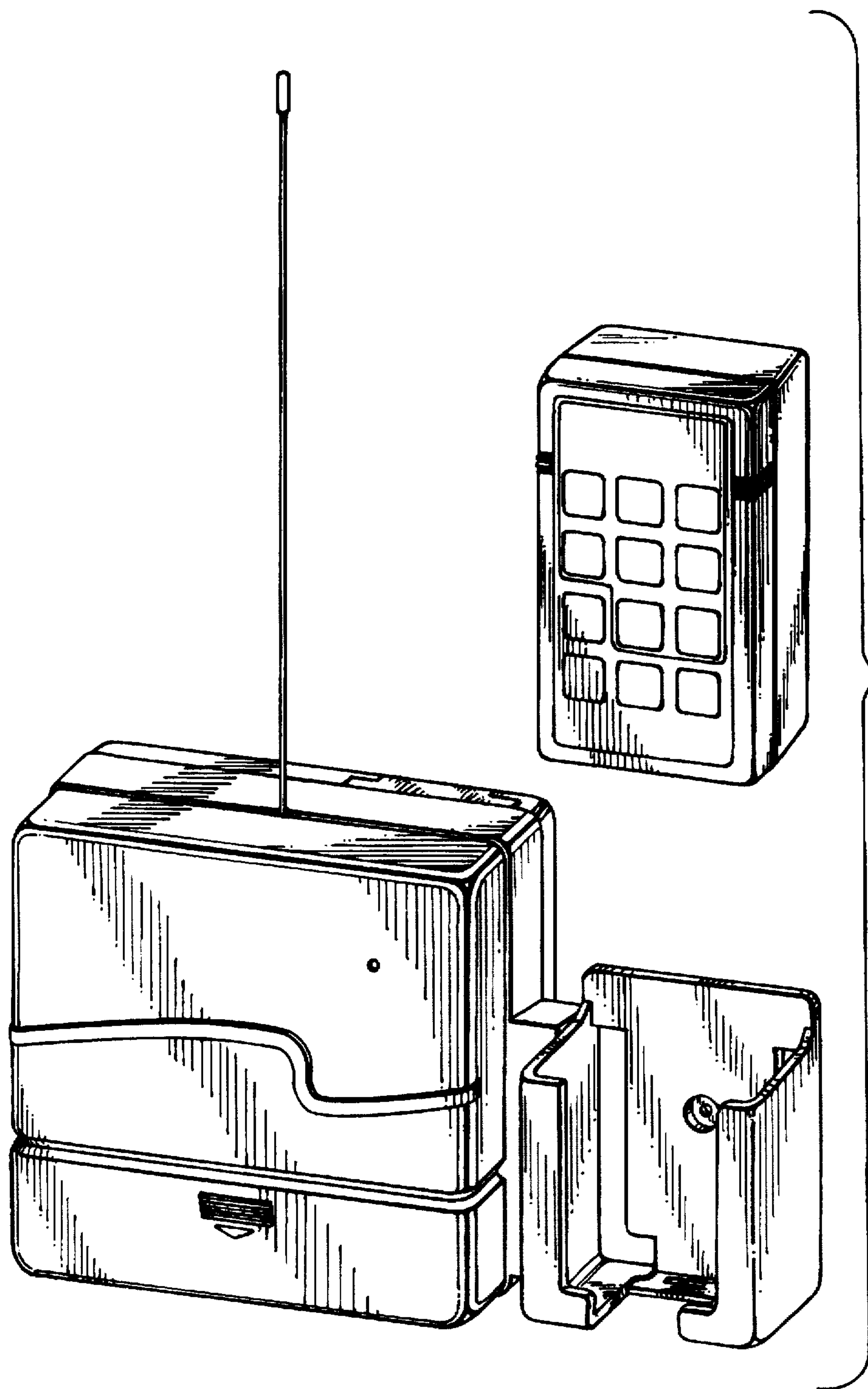
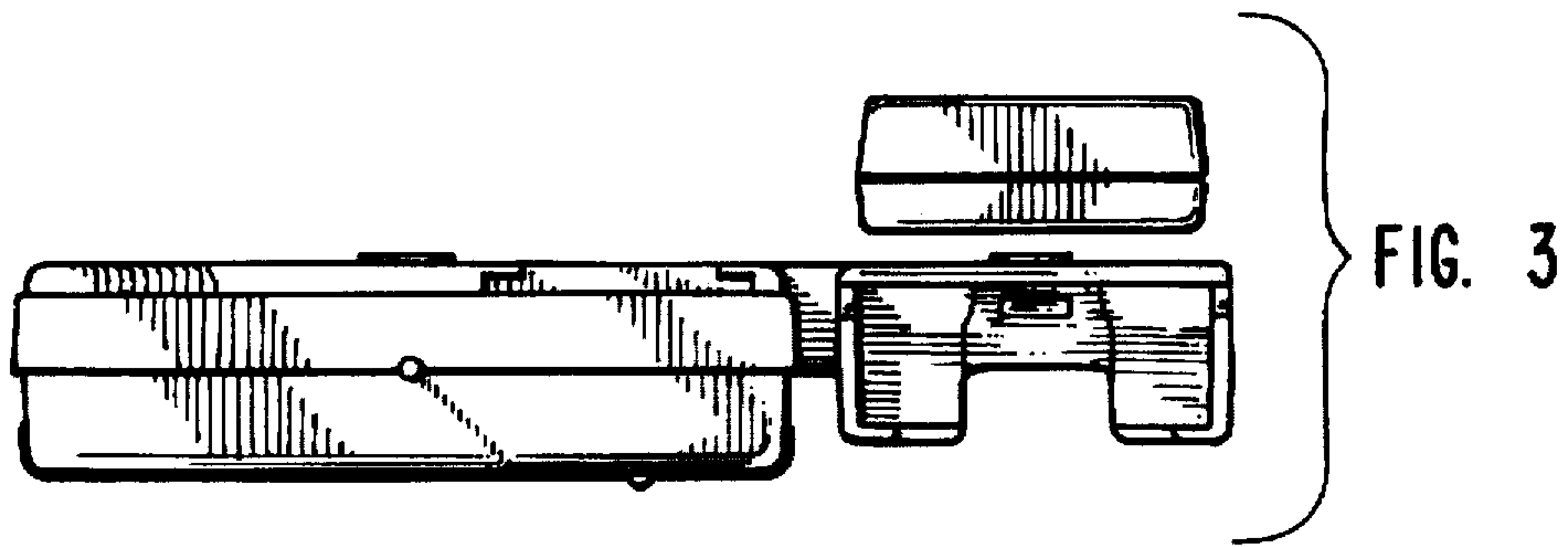
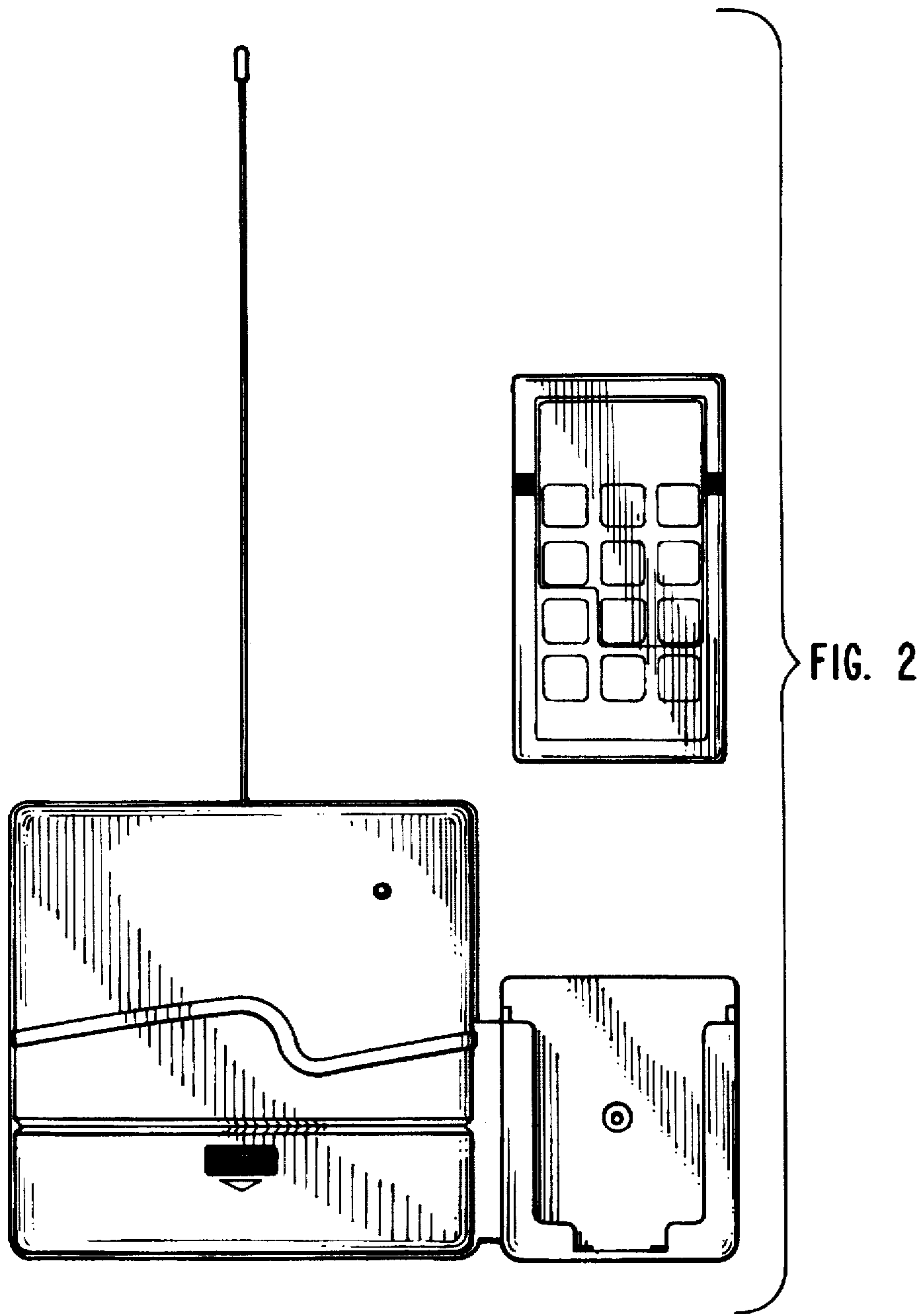


FIG. 1



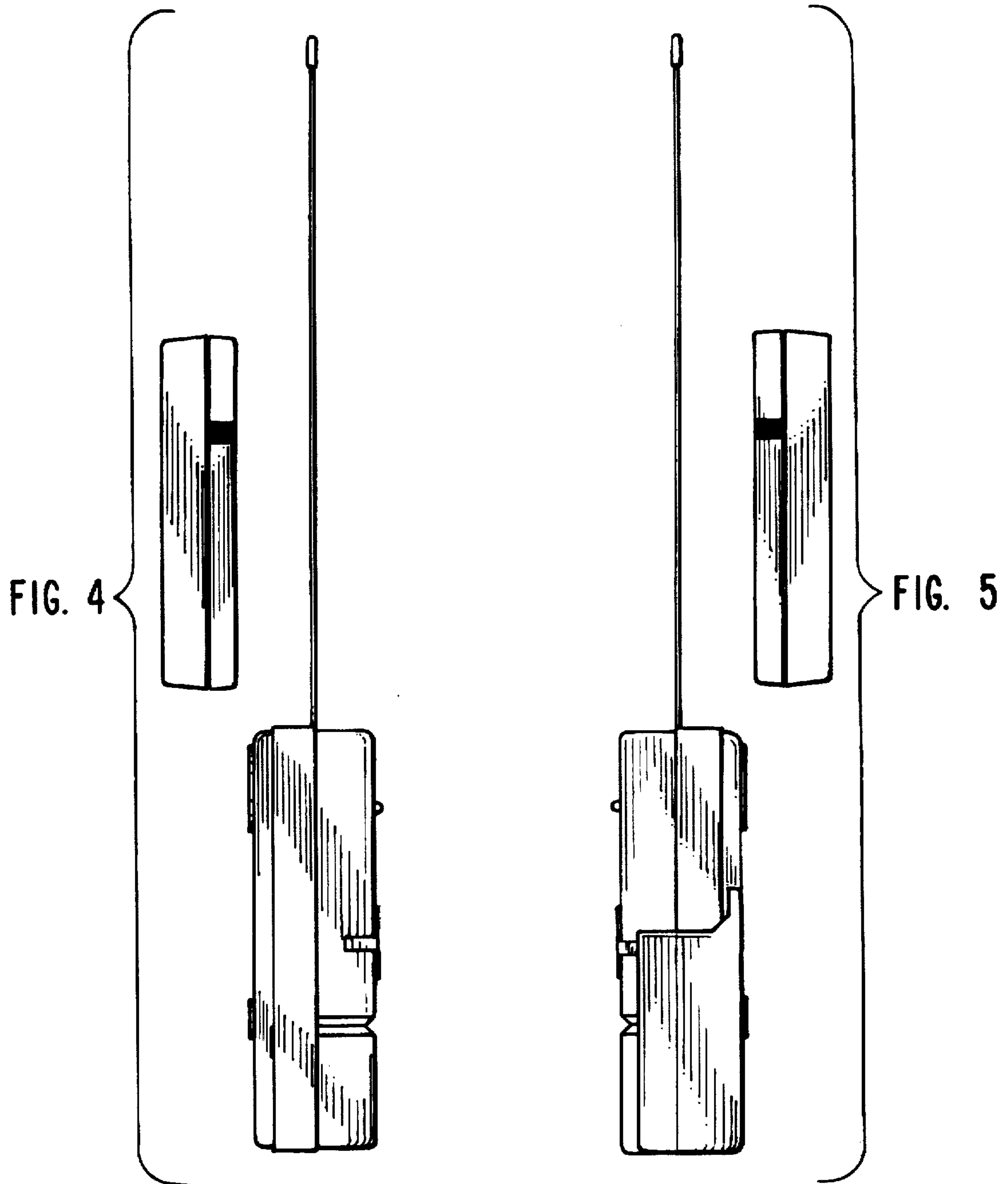


FIG. 6

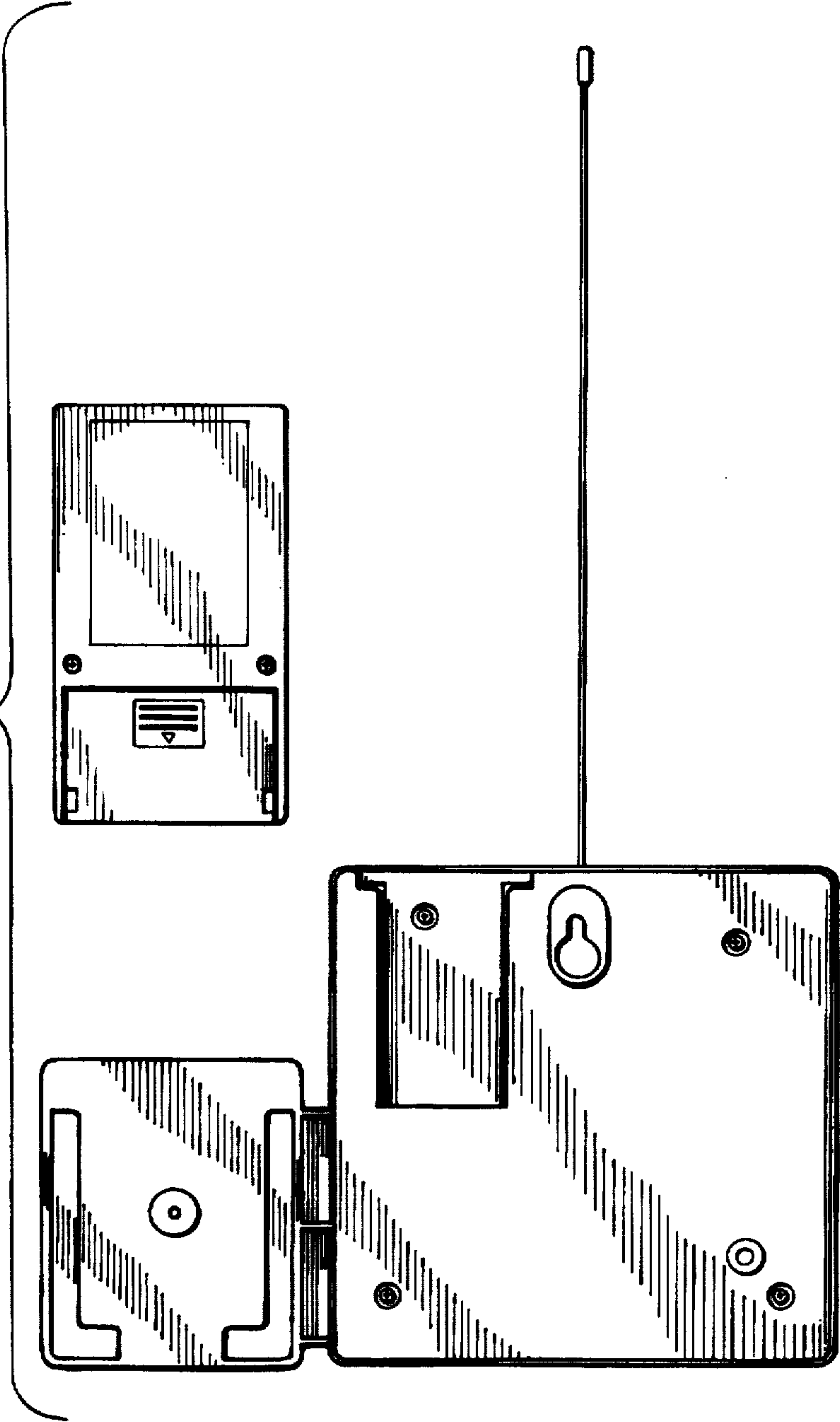


FIG. 7

