



US00D392618S

# United States Patent [19]

[11] Patent Number: **Des. 392,618**

Fukao et al.

[45] Date of Patent: **\*\*Mar. 24, 1998**

[54] **ELECTRICAL RECEPTACLE FOR CHARGING PLUG**

4,037,907 7/1977 Klimek et al. .  
4,072,381 2/1978 Burkhart et al. .  
4,138,187 2/1979 Brygger .  
4,245,875 1/1981 Shaffer et al. .

[75] Inventors: **Yasuyoshi Fukao; Toshiyuki Sekimori; Hiromichi Kuno**, all of Toyota; **Nobuaki Yoshioka**, Shizuoka-ken; **Toshiaki Hasegawa**, Shizuoka-ken; **Shigemitsu Inaba**, Shizuoka-ken, all of Japan

### OTHER PUBLICATIONS

“European Battery Motive Product”, Anderson Power Products Catalog, pp. 8, 9 (Admitted Prior Art).  
“GT Series: GT/GTC Connectors”, JAE Catalog, pp. 12, 13 (with partial English translation), Jul. 1979.  
“Connectors Guide”. JAE Catalog, pp. 14, 15 (with partial English translation), Jan. 1991.

[73] Assignees: **Yazaki Sogyo K.K.; Toyota Jidosha K.K.**, both of Japan

*Primary Examiner*—Joel Sincavage  
*Attorney, Agent, or Firm*—Saidman DesignLaw Group

[\*\*] Term: **14 Years**

[21] Appl. No.: **41,576**

### [57] CLAIM

[22] Filed: **Jul. 18, 1995**

The ornamental design for an electrical receptacle for charging plug, as shown and described.

### Related U.S. Application Data

### DESCRIPTION

[62] Division of Ser. No. 20,085, Mar. 18, 1994, Pat. No. Des. 367,644.

FIG. 1 is a perspective view of an electrical receptacle for charging plug showing our new design;  
FIG. 2 is a top plan view thereof;  
FIG. 3 is a front elevational view thereof;  
FIG. 4 is a rear elevational view thereof;  
FIG. 5 is a bottom plan view thereof;  
FIG. 6 is a right end elevational view thereof;  
FIG. 7 is a left end elevational view thereof; and  
FIG. 8 is a rear and upper left perspective view thereof.  
FIG. 9 is front elevational view thereof with the cover in the open position; and  
FIG. 10 is a rear and upper left perspective view thereof.

[51] LOC (6) Cl. .... **13-03**

[52] U.S. Cl. .... **D13/146; D13/156**

[58] Field of Search ..... **D13/146, 154, D13/156; 439/34, 35, 142, 144, 519, 521, 571, 573, 638**

### [56] References Cited

#### U.S. PATENT DOCUMENTS

D. 329,840 9/1992 Nociar .  
D. 344,490 2/1994 Nociar .  
D. 361,313 8/1995 Sai et al. .... **D13/146**  
3,315,131 4/1967 Klimak et al. .

**1 Claim, 5 Drawing Sheets**

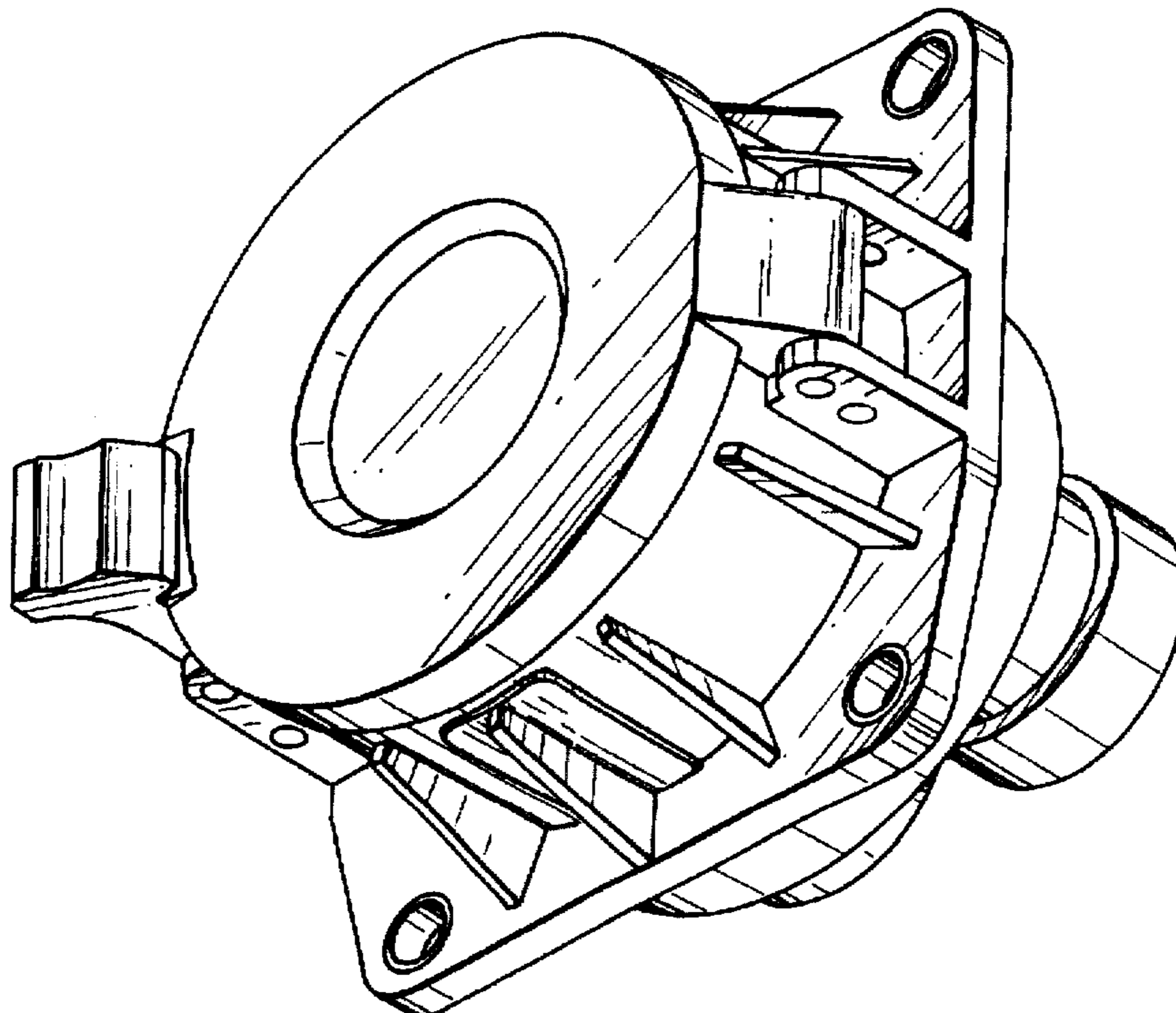


FIG. 1

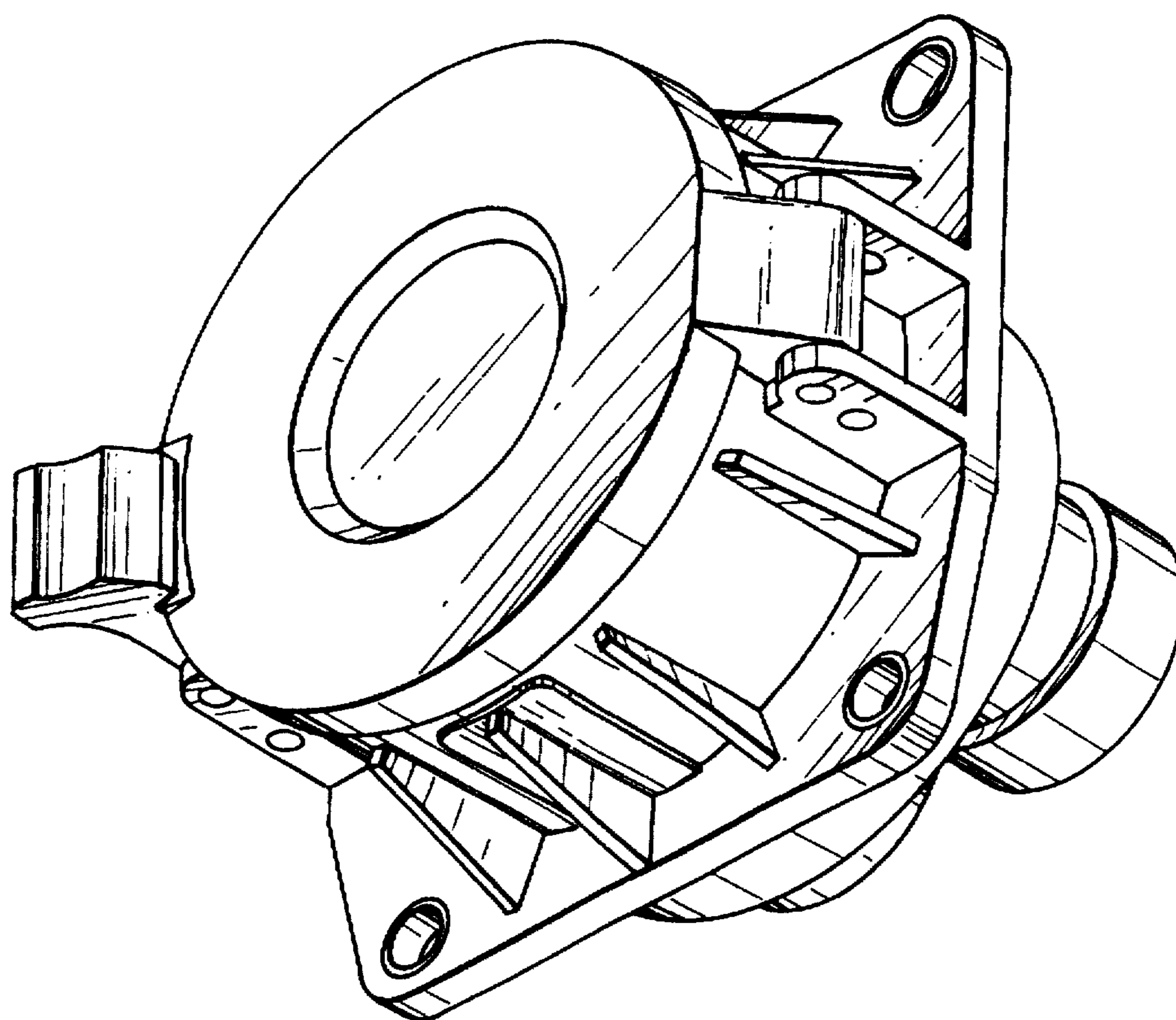


FIG. 2

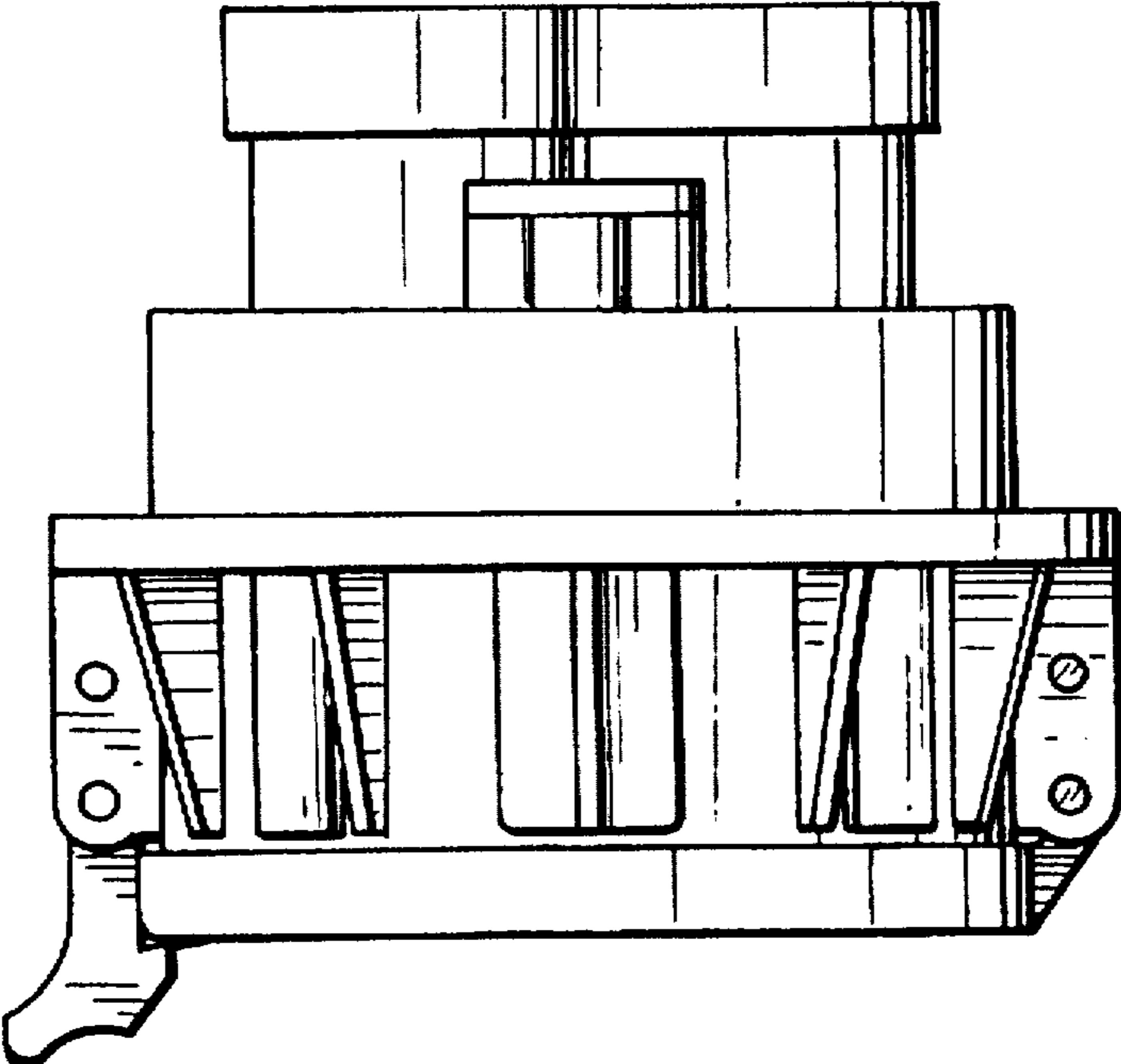


FIG. 5

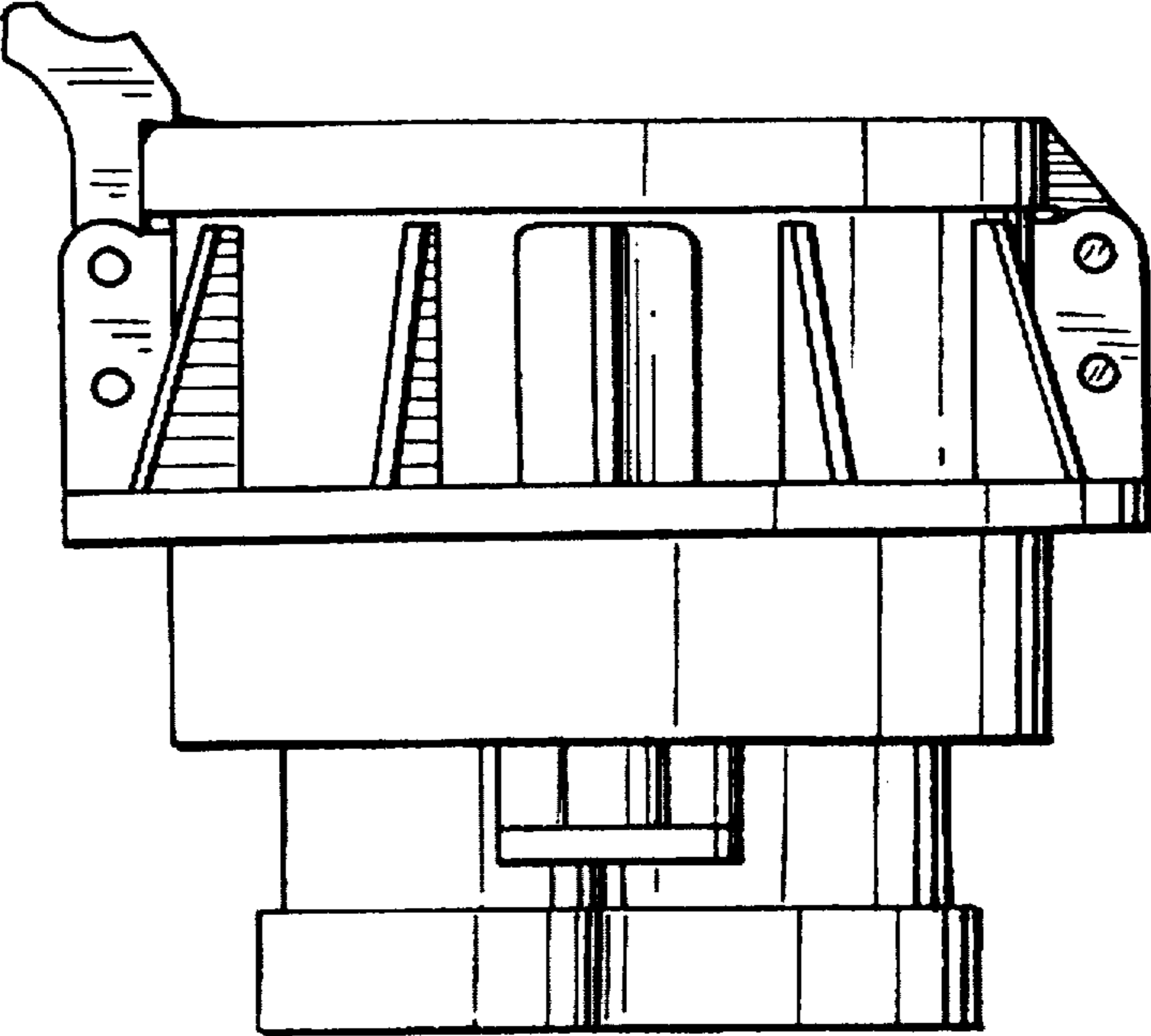


FIG. 3

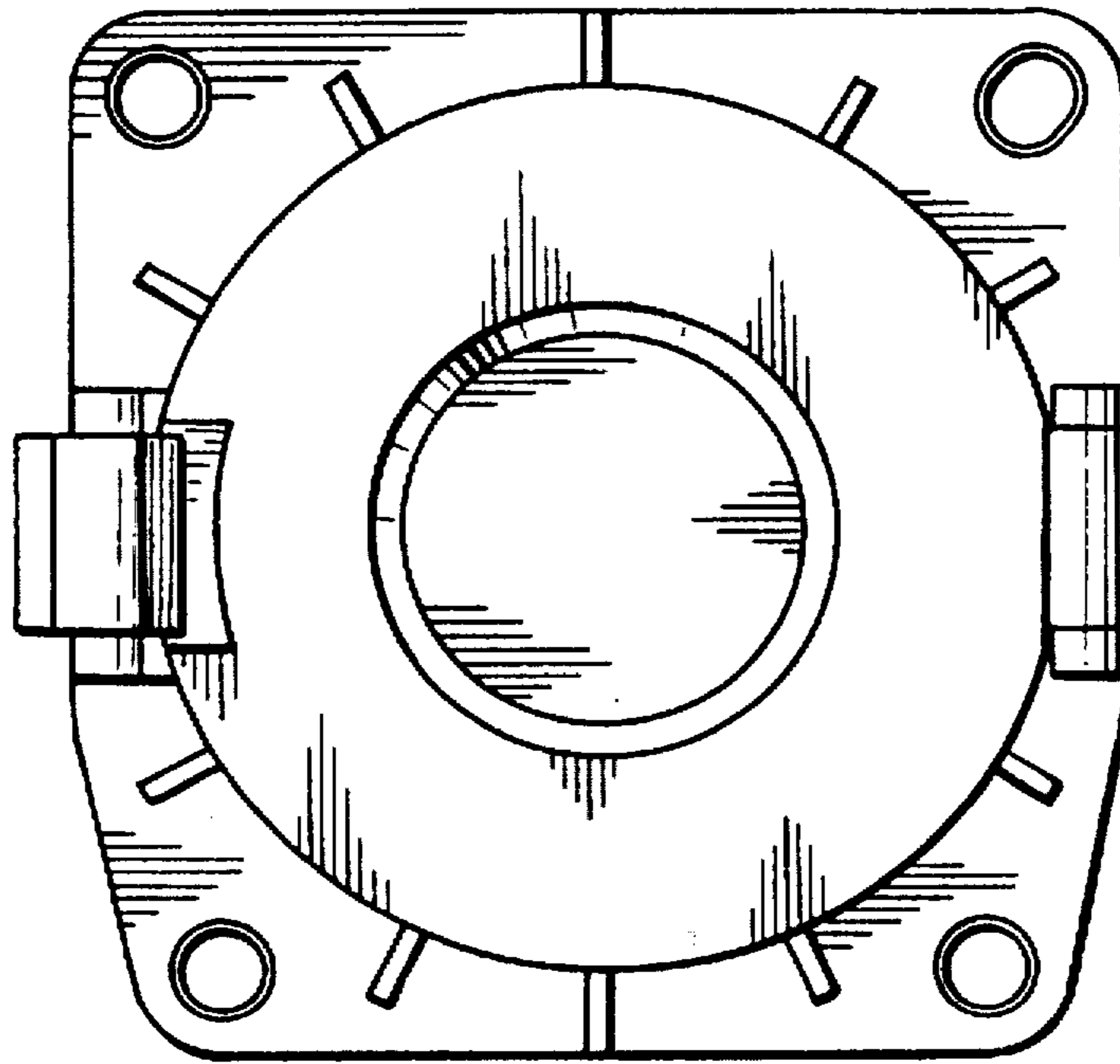


FIG. 4

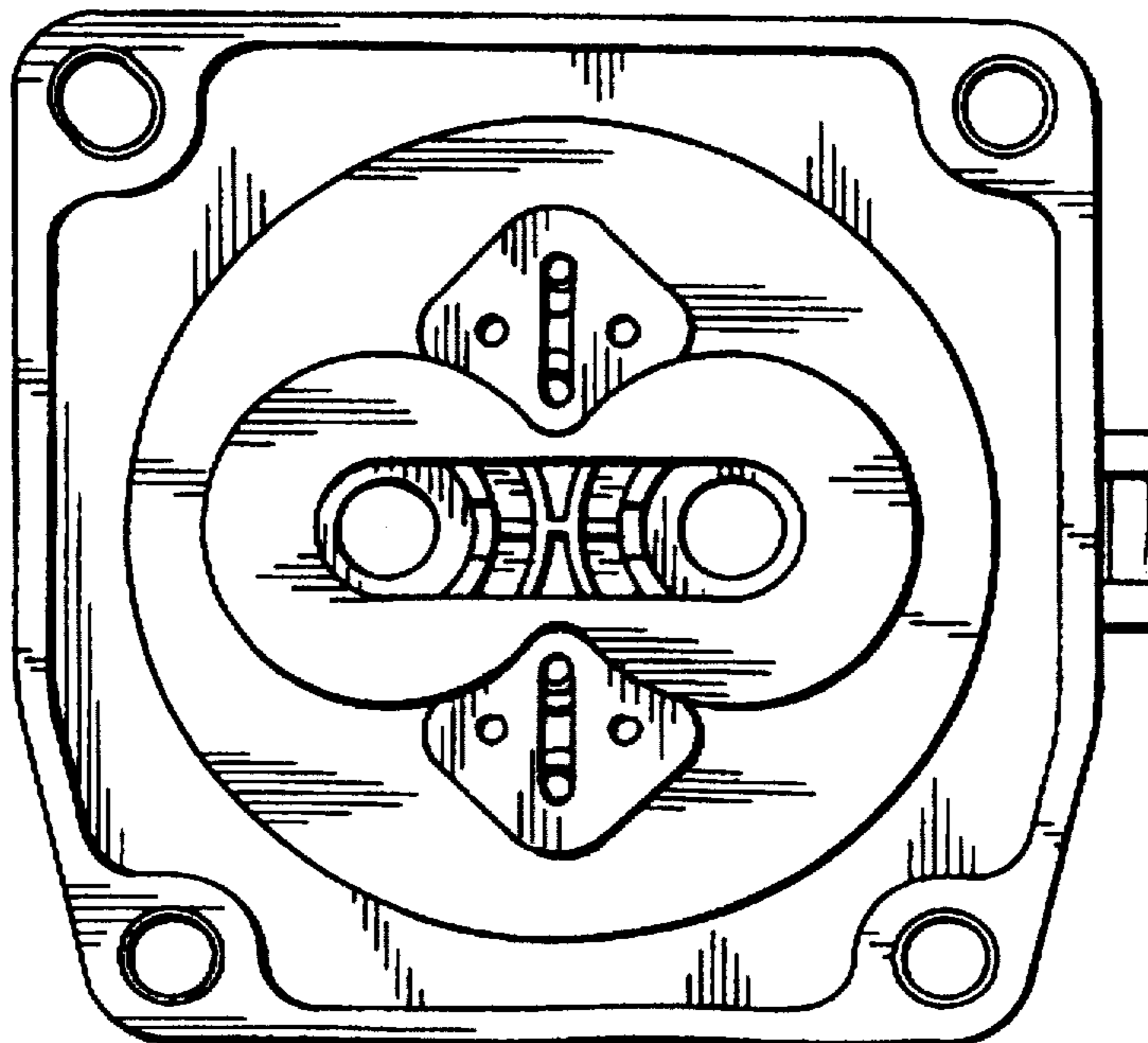


FIG. 6

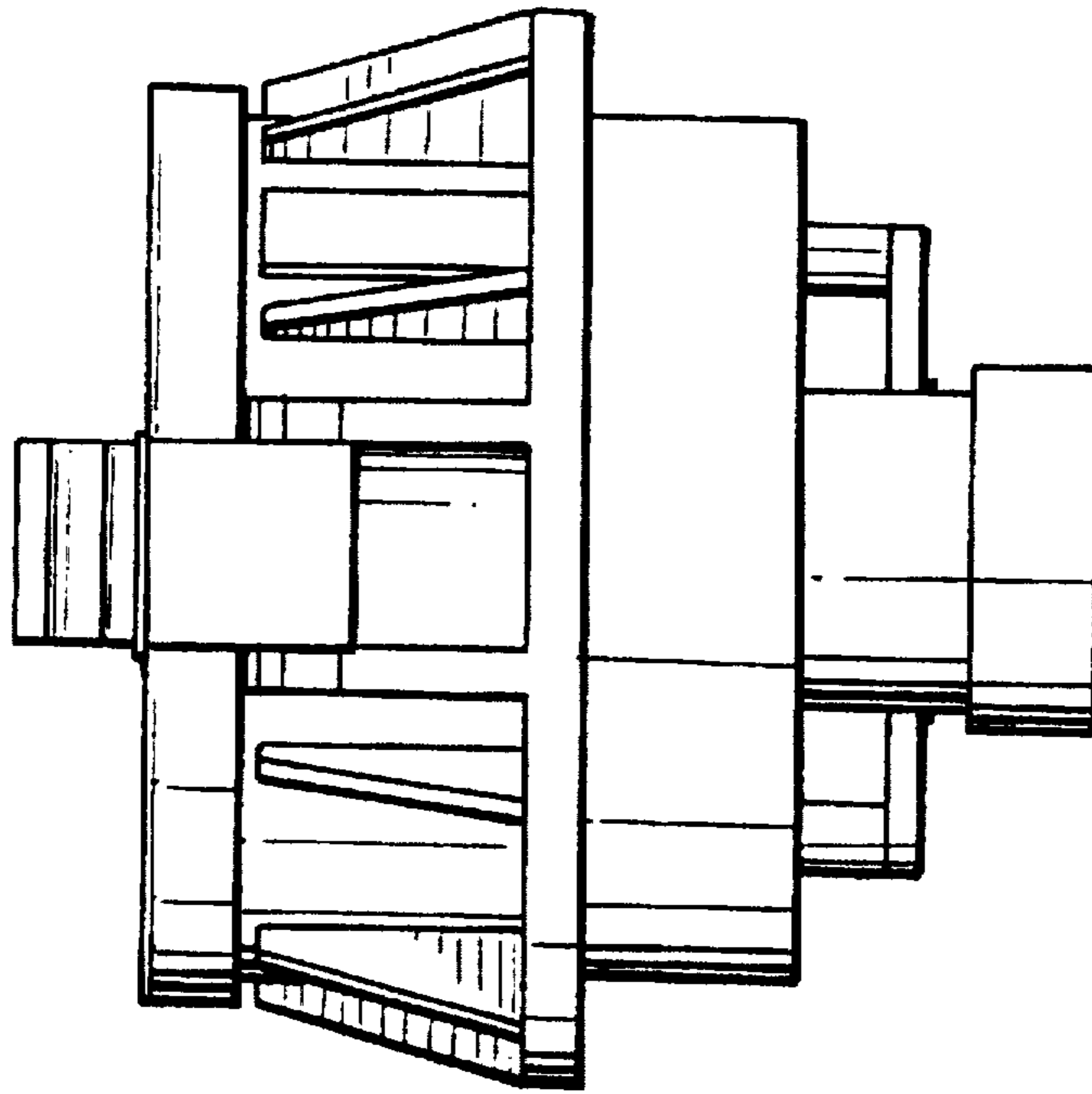


FIG. 7

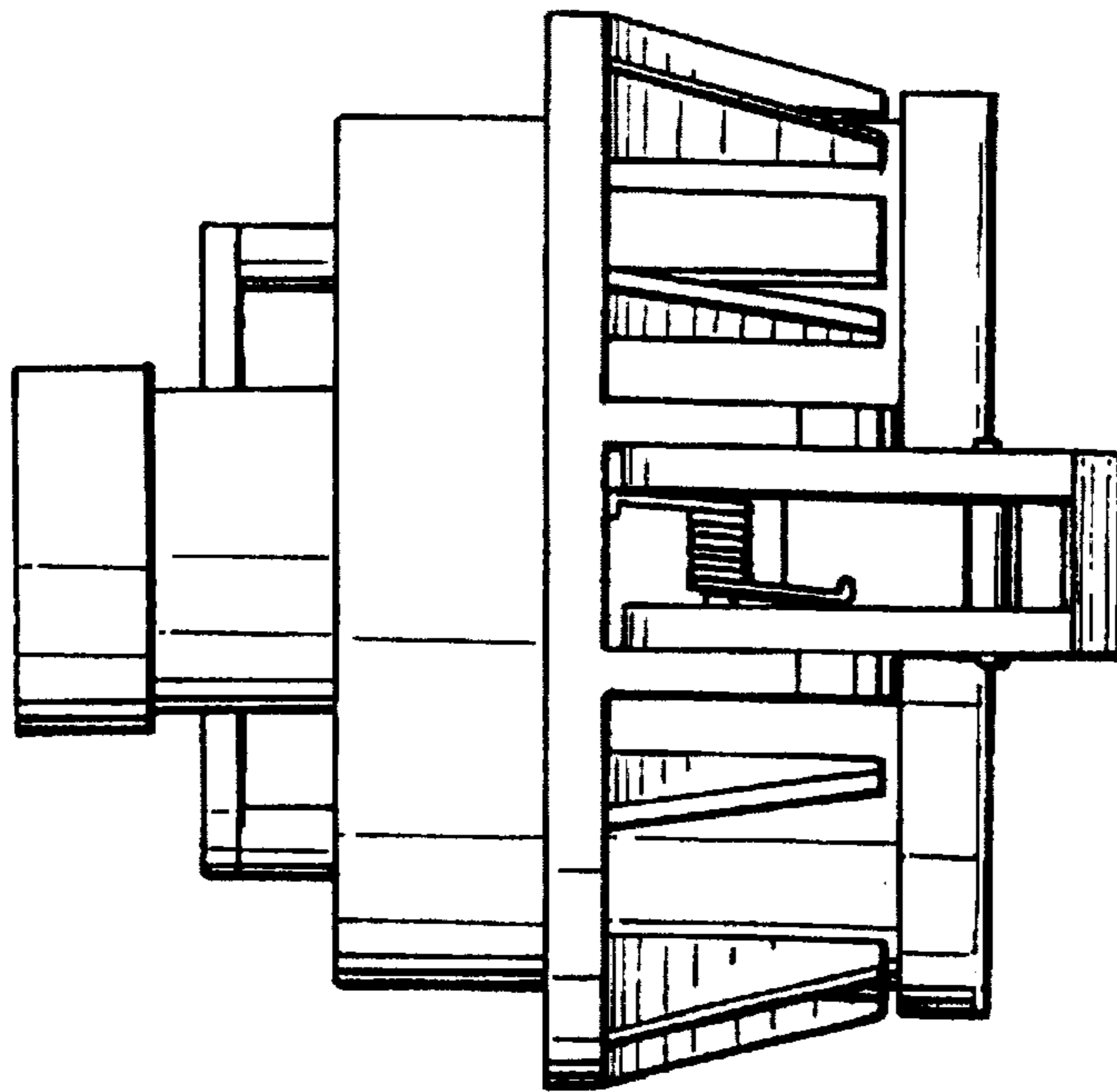


FIG. 8

