

US00D392616S

United States Patent [19] Gagne

[11] Patent Number: **Des. 392,616**
[45] Date of Patent: ****Mar. 24, 1998**

[54] **ELECTRICAL INSULATOR HAVING SHEDS**

[76] Inventor: **Serge Gagne**, 33 rue Landry, Iberville,
Quebec, Canada, J2X 4V4

[**] Term: **14 Years**

[21] Appl. No.: **52,554**

[22] Filed: **Apr. 3, 1996**

[51] LOC (6) Cl. **13-03**

[52] U.S. Cl. **D13/131**

[58] Field of Search **D13/129, 130,
D13/131, 132; 174/137 R, 138 H**

[56] **References Cited**

U.S. PATENT DOCUMENTS

D. 201,133	5/1965	Vose	D13/131
D. 229,187	11/1973	Vrabel	D13/130
D. 247,963	5/1978	Lewis	D13/130

876,939	1/1908	Buck	D13/130
3,358,073	12/1967	Gamble	174/137 R

Primary Examiner—Doris Clark
Attorney, Agent, or Firm—Eric Fincham

[57] **CLAIM**

An ornamental design for an electrical insulator having sheds, as shown and described.

DESCRIPTION

FIG. 1 is a perspective view of the insulator device having sheds;

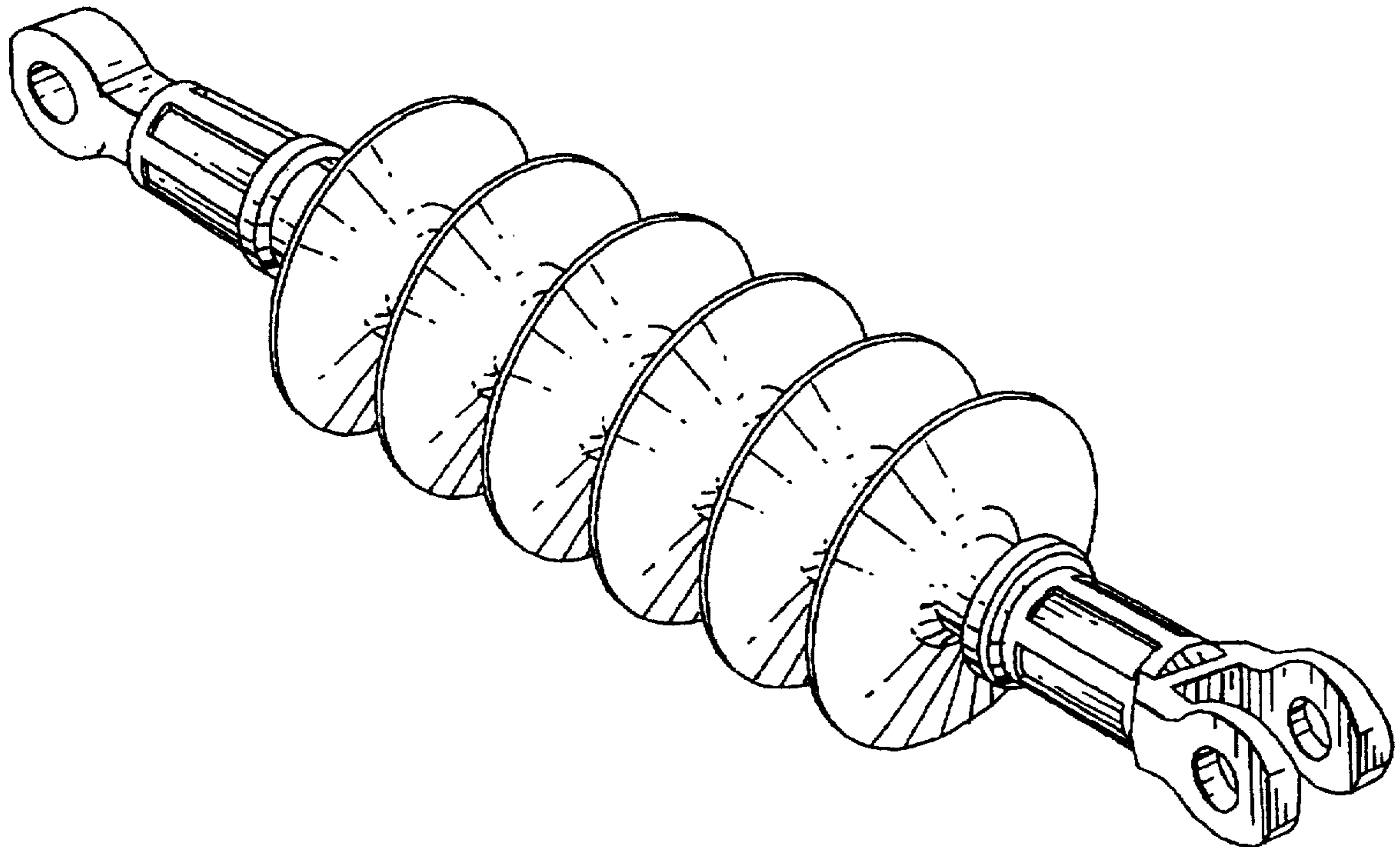
FIG. 2 is a side elevational view thereof;

FIG. 3 is an end elevational view thereof as seen from the left hand side of FIG. 2;

FIG. 4 is an end elevational view as seen from the right hand side of FIG. 2; and

FIG. 5 is a side elevational view similar to FIG. 2 with the device having been rotated through 90°.

1 Claim, 1 Drawing Sheet



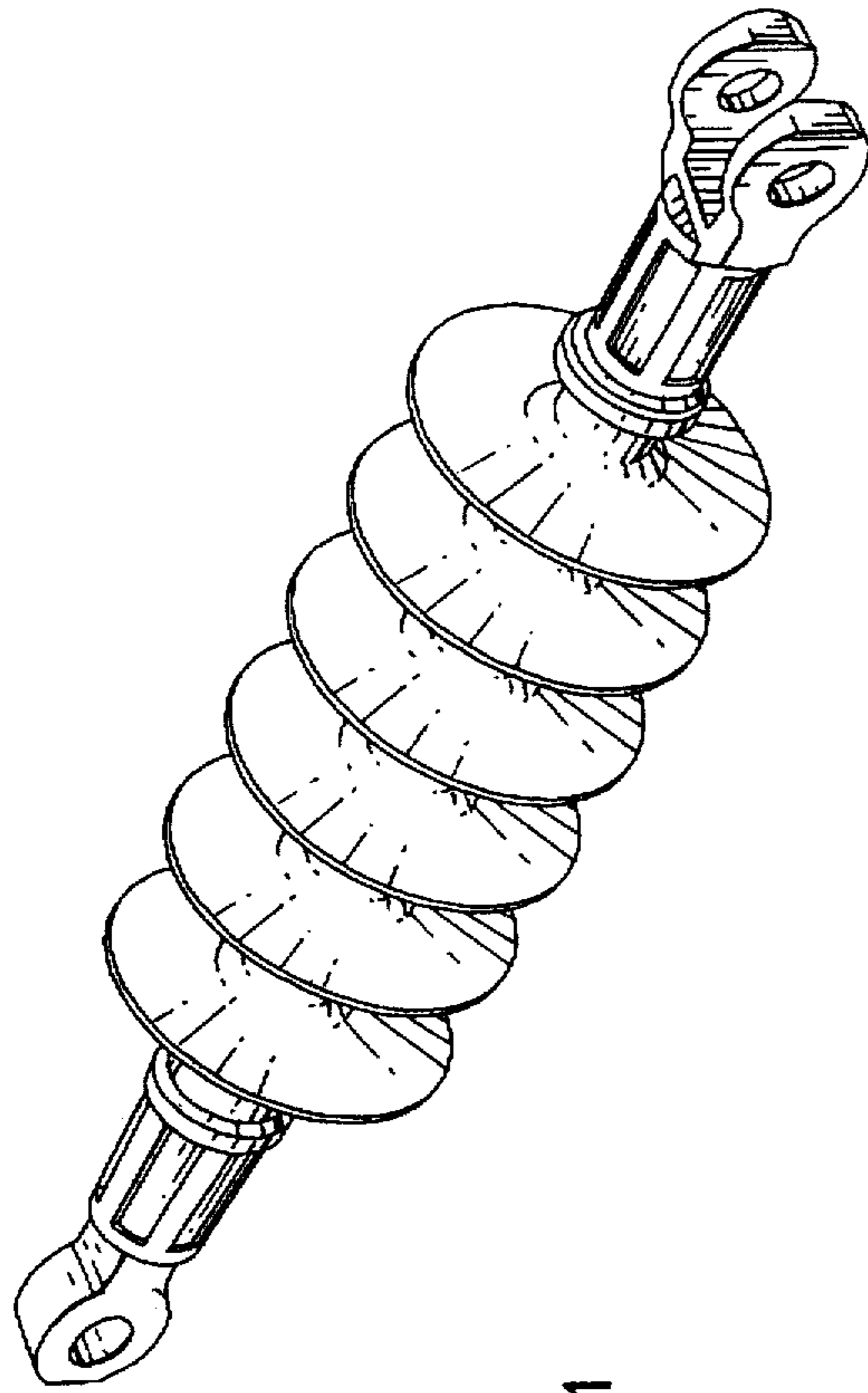


Fig-1

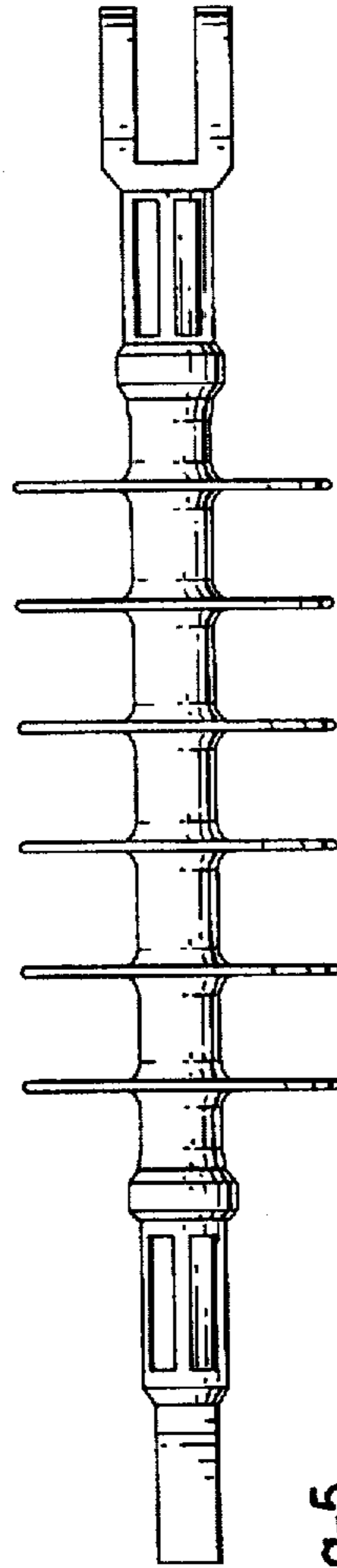


Fig-5

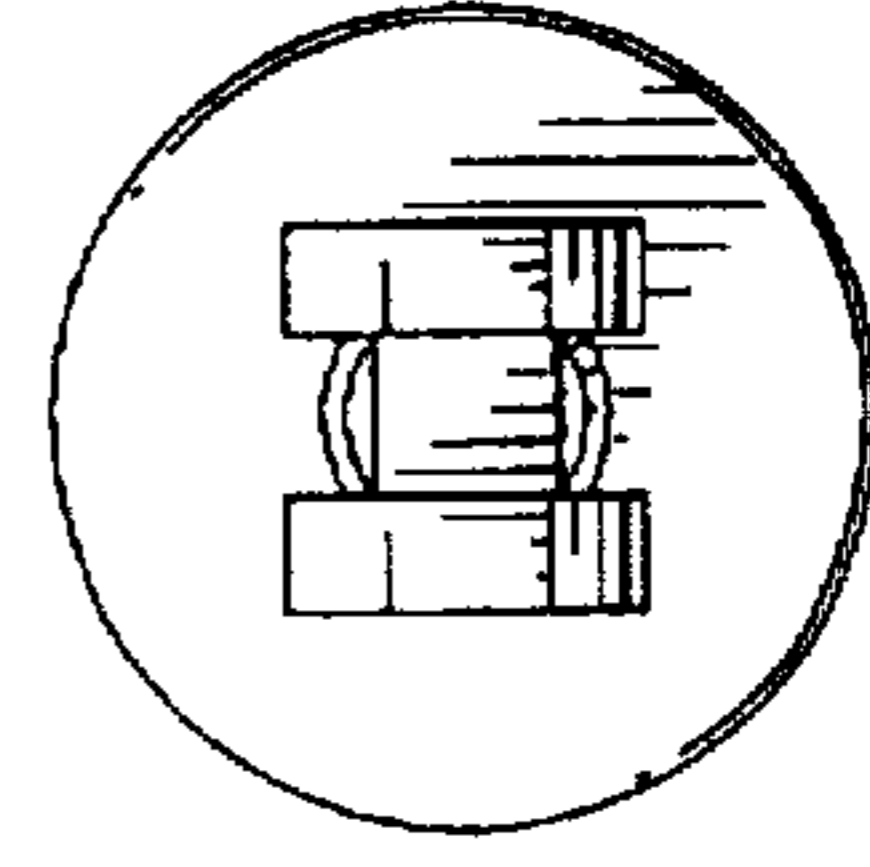


Fig-4

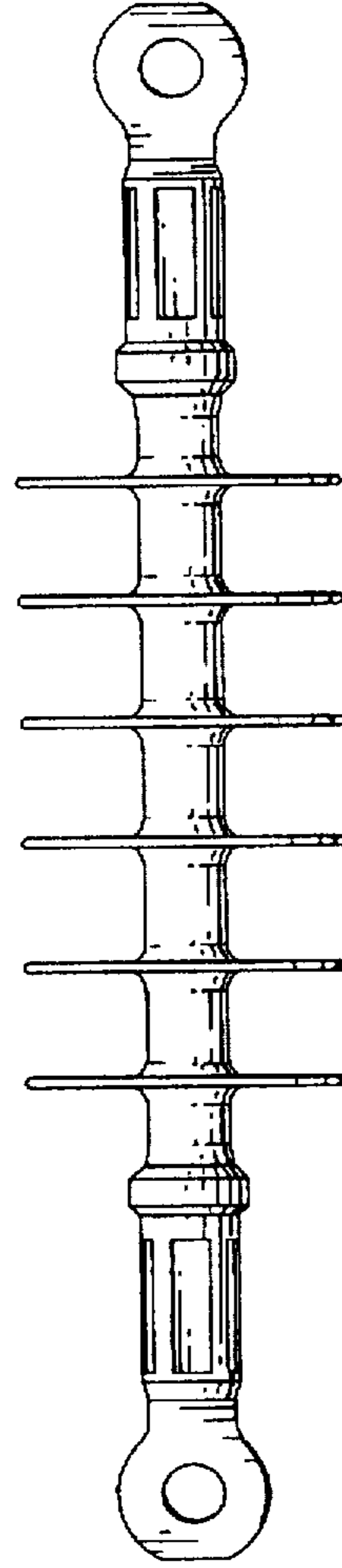


Fig-2

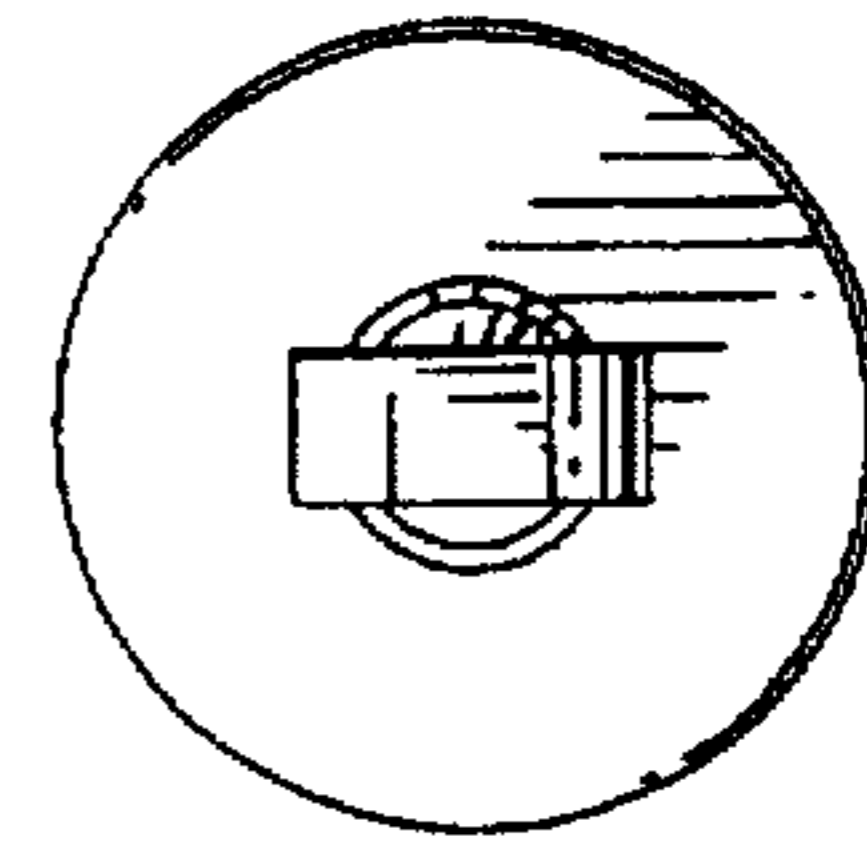


Fig-3