



US00D392611S

**United States Patent** [19]  
**Echazabal et al.**

[11] **Patent Number: Des. 392,611**  
[45] **Date of Patent: \*\*Mar. 24, 1998**

[54] **FRONT FACE OF A VEHICLE WHEEL**

[75] **Inventors: Alberto Echazabal, Pembroke Pines, Fla.; Tomas Alonso, Vigo, Sweden**

[73] **Assignee: Motoring Accessories, Inc., Miami, Fla.**

[\*\*] **Term: 14 Years**

[21] **Appl. No.: 68,313**

[22] **Filed: Mar. 31, 1997**

[51] **LOC (6) Cl. .... 12-16**

[52] **U.S. Cl. .... D12/211**

[58] **Field of Search .... D12/204-213;  
301/64.1, 65, 37.1**

[56] **References Cited**

**U.S. PATENT DOCUMENTS**

D. 249,787 10/1978 Tanaka ..... D12/205  
D. 258,503 3/1981 Semple ..... D12/211

D. 267,564 1/1983 Wright ..... D12/211  
D. 361,547 8/1995 Weld ..... D12/211  
D. 368,885 4/1996 Wagner ..... D12/209  
D. 375,076 10/1996 Cattaneo ..... D12/211  
D. 379,612 6/1997 Honarkhah ..... D12/209

*Primary Examiner*—James Gandy  
*Assistant Examiner*—Stacia Sinuik  
*Attorney, Agent, or Firm*—Longacre & White

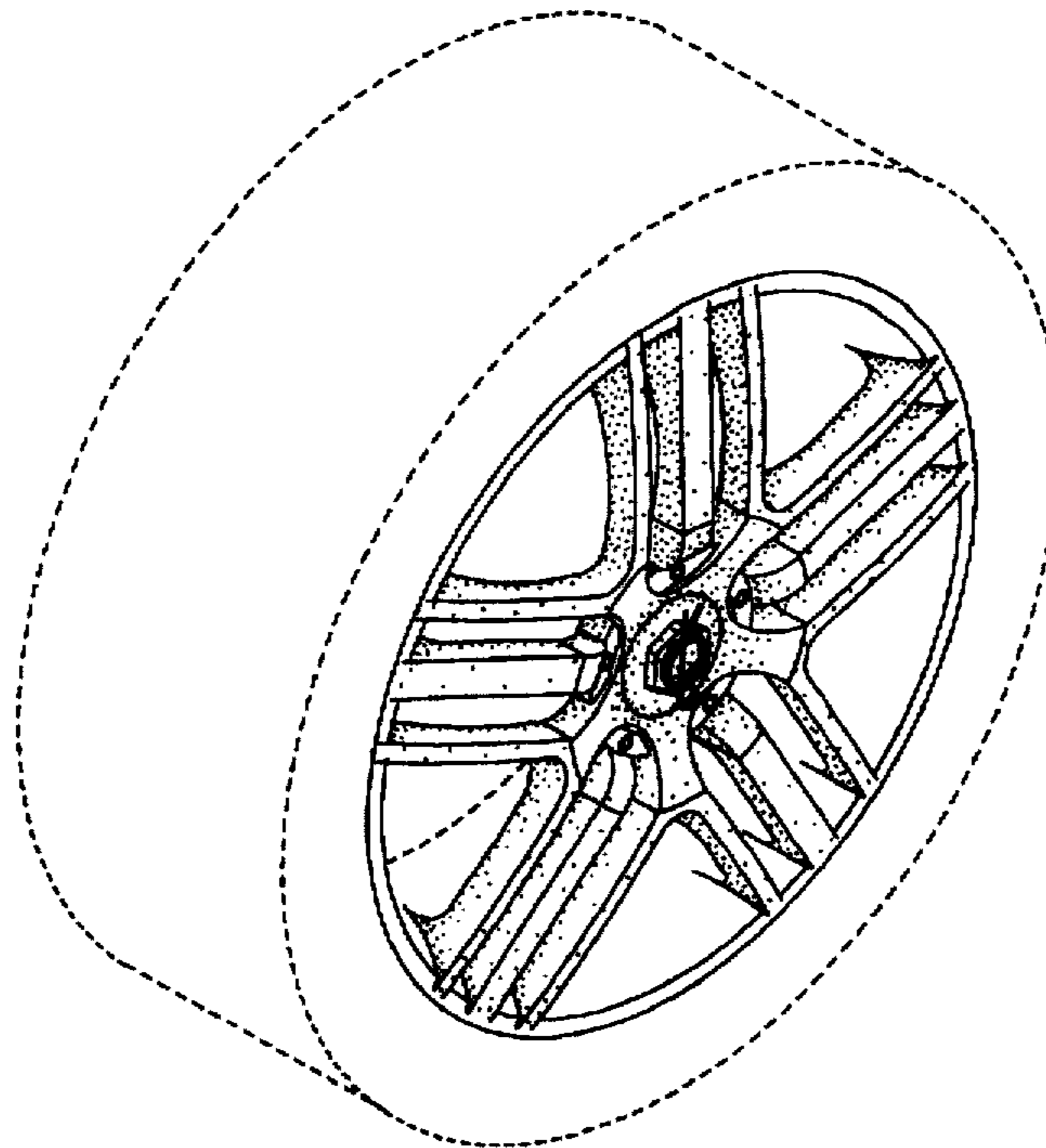
[57] **CLAIM**

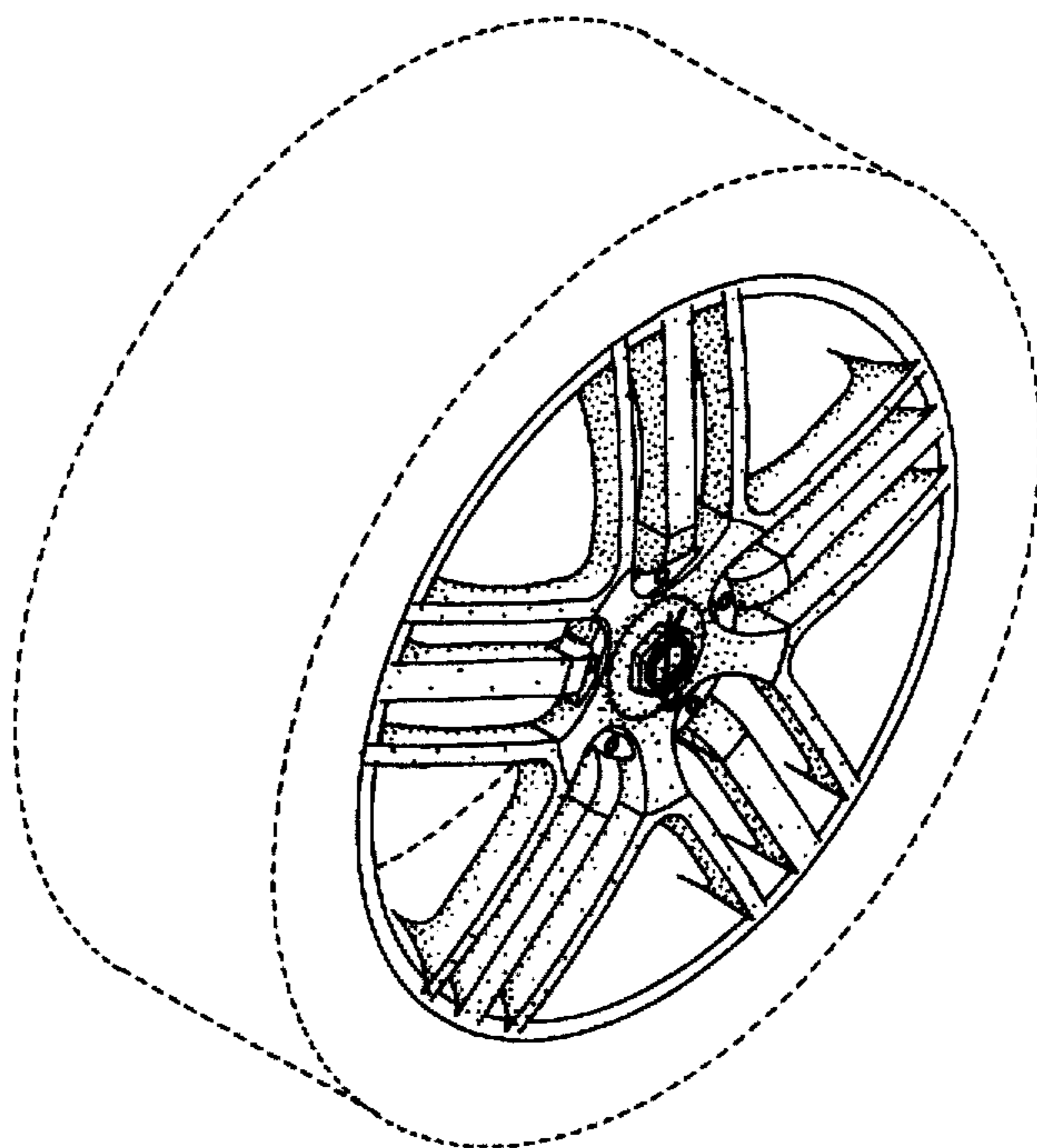
The ornamental design for the front face of a vehicle wheel, as shown and described.

**DESCRIPTION**

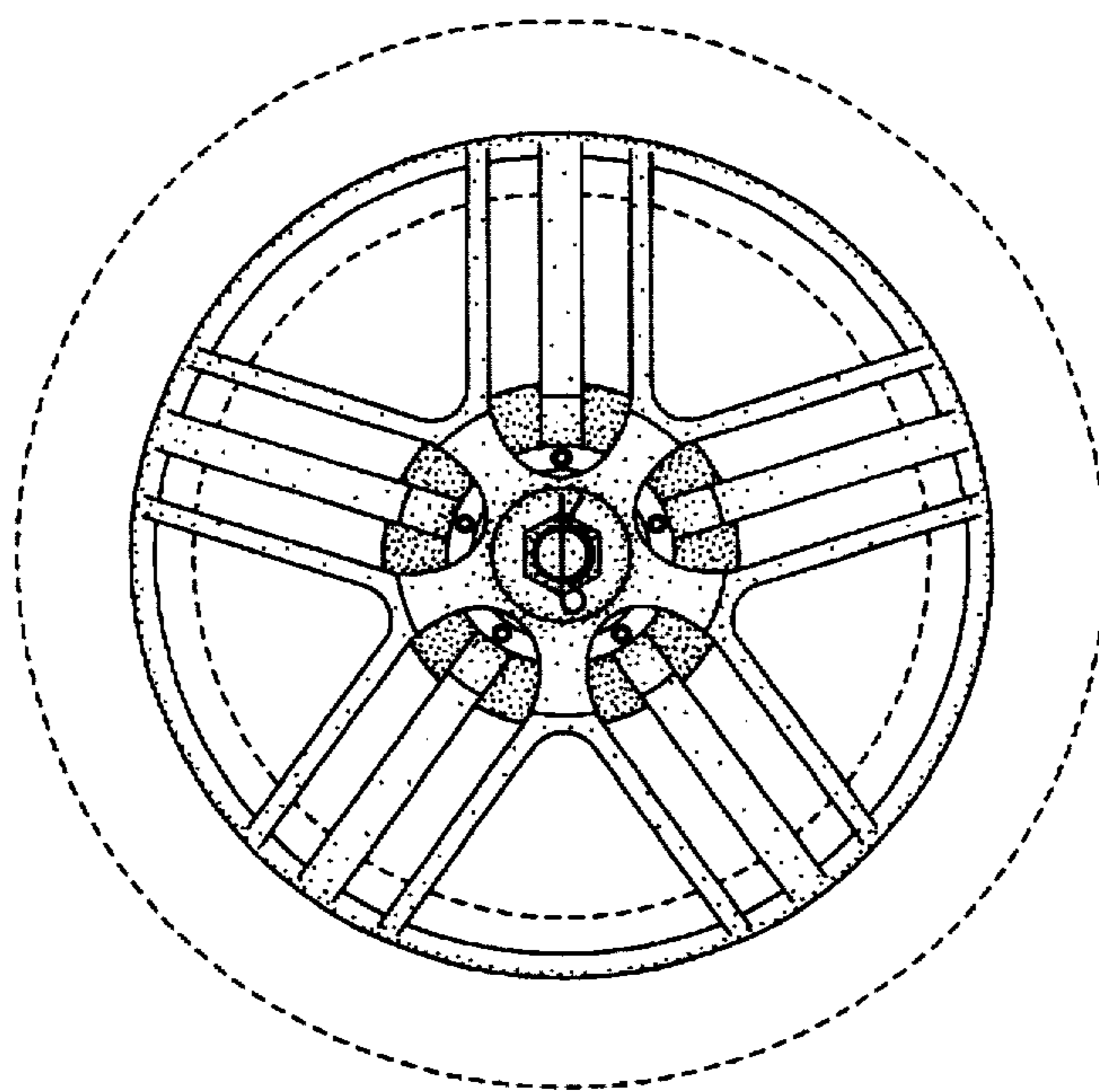
FIG. 1 is a perspective view of the front face of a vehicle wheel shown in use on a surrounding wheel; and, FIG. 2 is a front elevational view of the front face of a vehicle wheel shown in FIG. 1. The drawings include dotted lines showing environmental structure which forms no part of the invention herein.

**1 Claim, 1 Drawing Sheet**





*FIG. 1*



*FIG. 2*