



US00D392607S

United States Patent [19]
Cattaneo

[11] **Patent Number: Des. 392,607**

[45] **Date of Patent: **Mar. 24, 1998**

[54] **STEERING WHEEL WITH AIR BAG FOR MOTORVEHICLES**

[75] **Inventor: Marco Cattaneo, Pavia, Italy**

[73] **Assignee: Breed Automotive Technology, Inc., Lakeland, Fla.**

[**] **Term: 14 Years**

[21] **Appl. No.: 70,879**

[22] **Filed: Apr. 15, 1997**

[30] **Foreign Application Priority Data**

Oct. 15, 1996 [IT] Italy MI9600591

[51] **LOC (6) Cl. 12-16**

[52] **U.S. Cl. D12/176**

[58] **Field of Search D12/175, 176; 74/552**

[56] **References Cited**

U.S. PATENT DOCUMENTS

D. 286,526 11/1986 Wardte et al. D12/176

D. 306,715	3/1990	Veon	D12/176
D. 327,243	6/1992	Cattaneo	D12/176
D. 347,820	6/1994	Plymale	D12/176
D. 356,766	3/1995	Lai	D12/176
4,161,892	7/1979	Conterno	D12/176
4,945,786	8/1990	Goto	74/552
5,031,429	7/1991	Wang	74/552

Primary Examiner—Melody N. Brown
Attorney, Agent, or Firm—Nixon & Vanderhye, P.C.

[57] **CLAIM**

The ornamental design for a "steering wheel with air bag for motorvehicles", as shown and described.

DESCRIPTION

FIG. 1 is a front elevational view of a steering wheel with air bag for motorvehicles showing my new design; FIG. 2 is a left side elevational view thereof, the right side view being a mirror image of that side shown; FIG. 3 is a top plan view thereof; FIG. 4 is a bottom plan view thereof; and, FIG. 5 is a rear elevational view thereof.

1 Claim, 3 Drawing Sheets

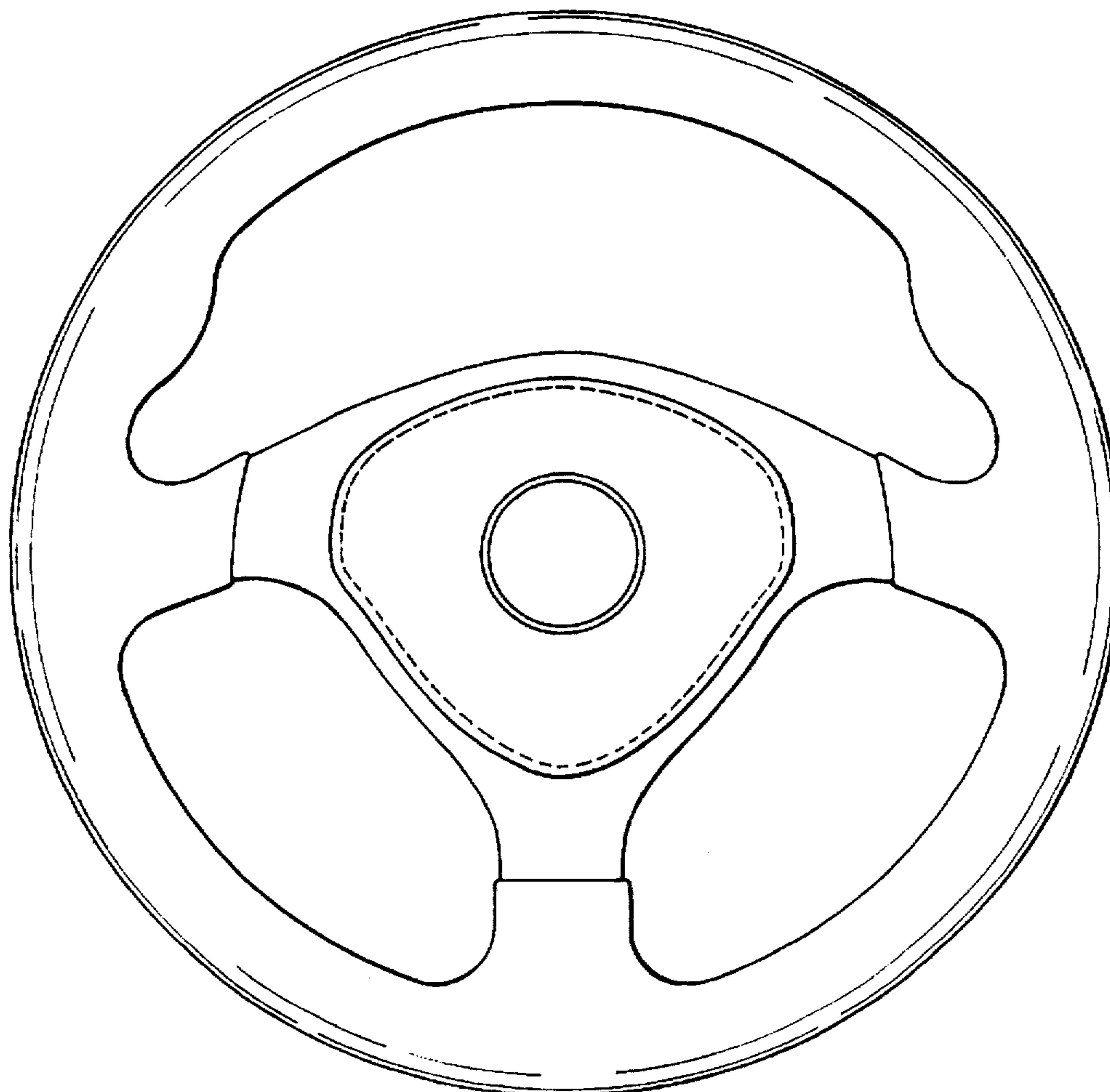


Fig. 1

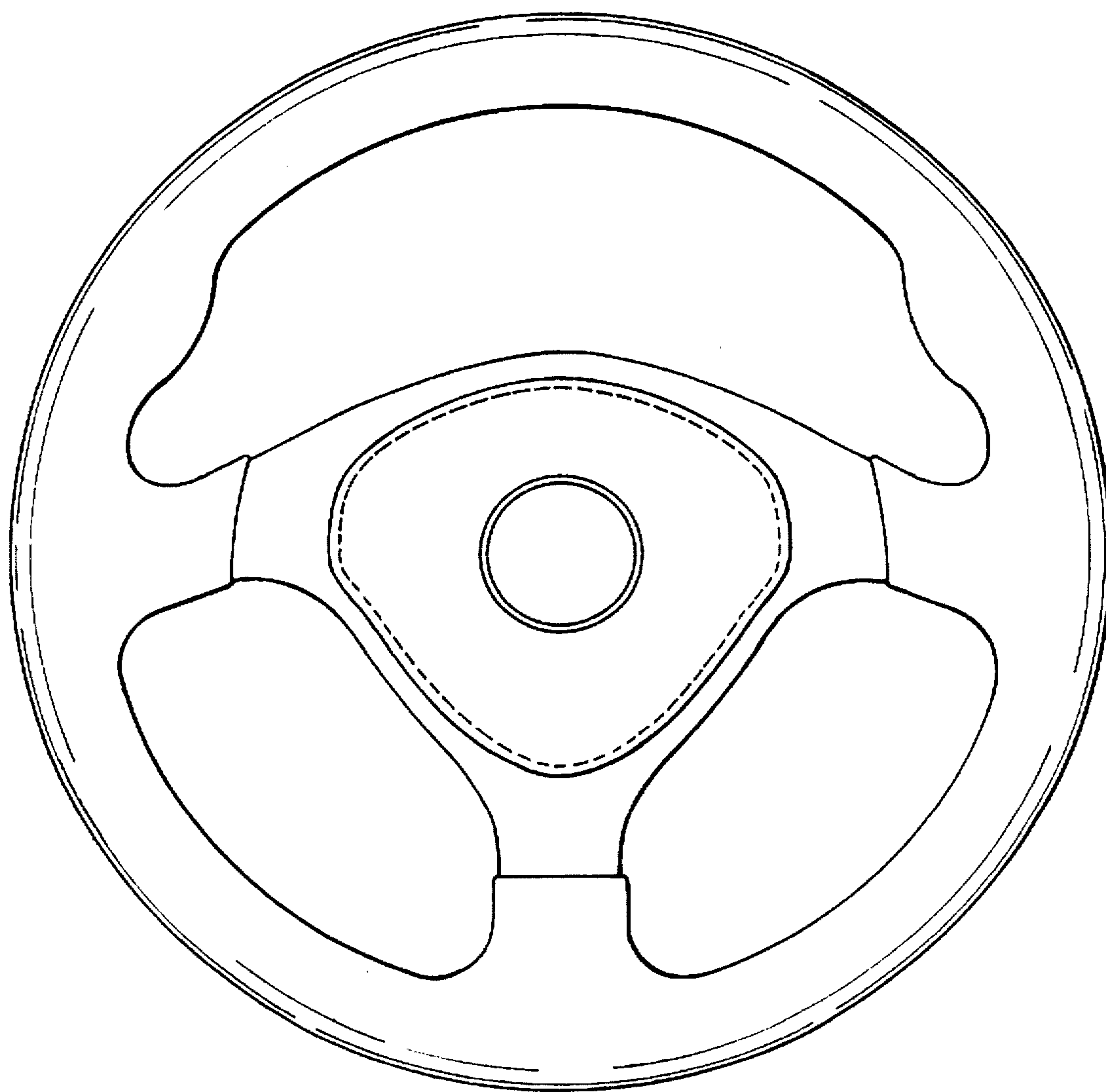


Fig. 2

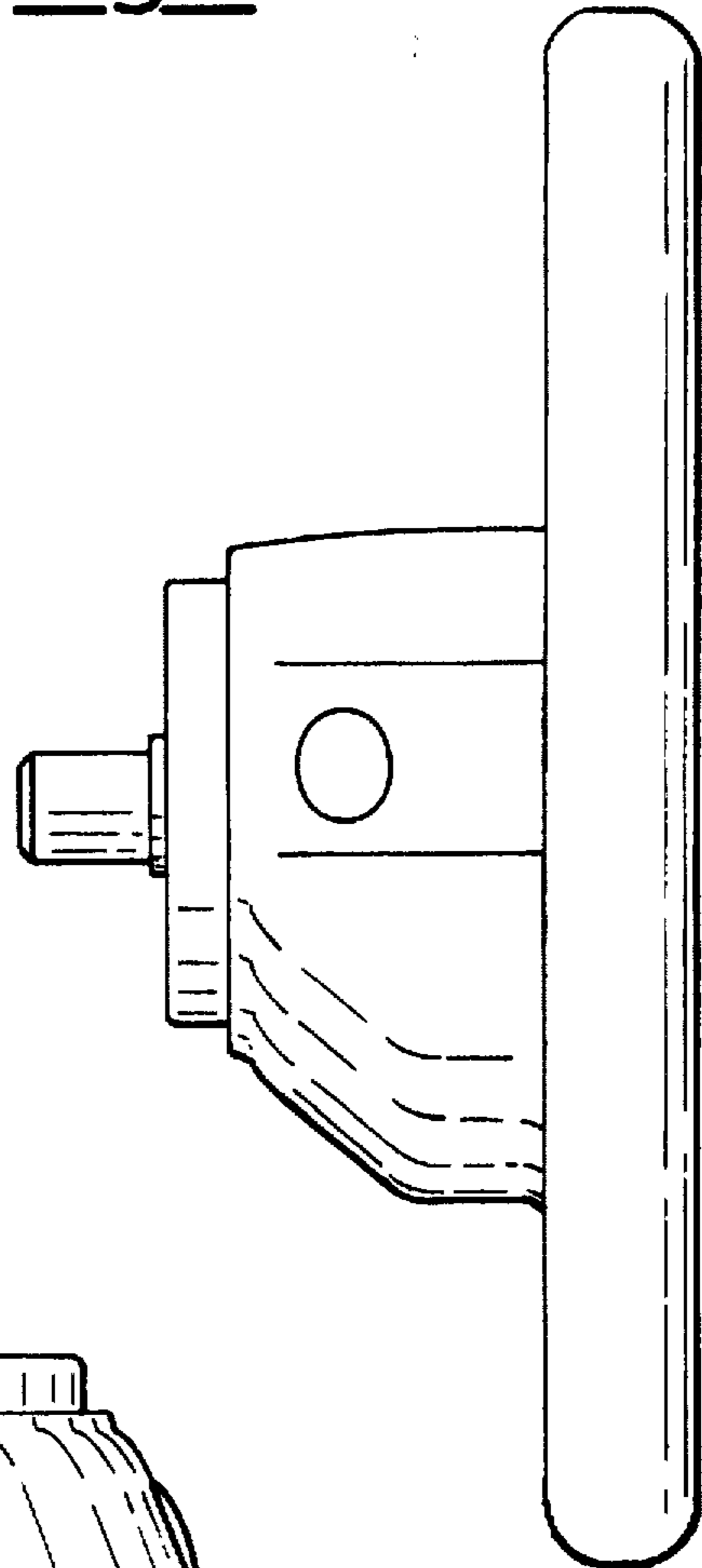


Fig. 3

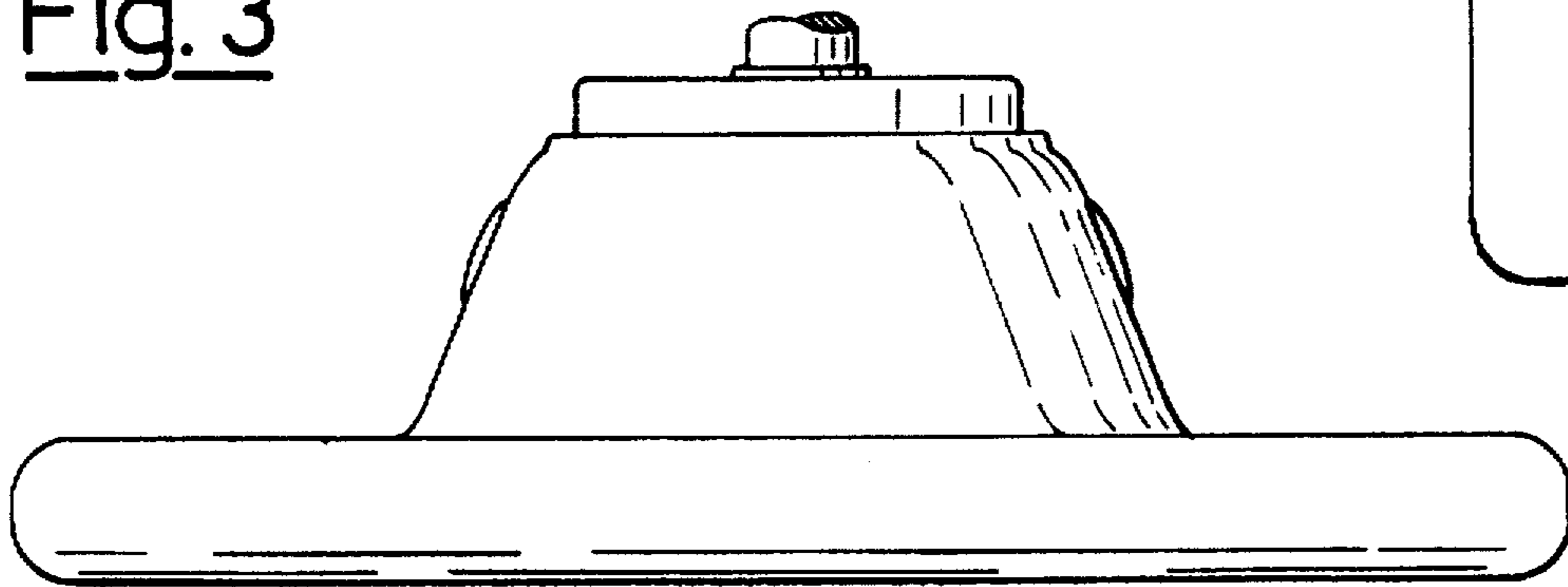


Fig. 4

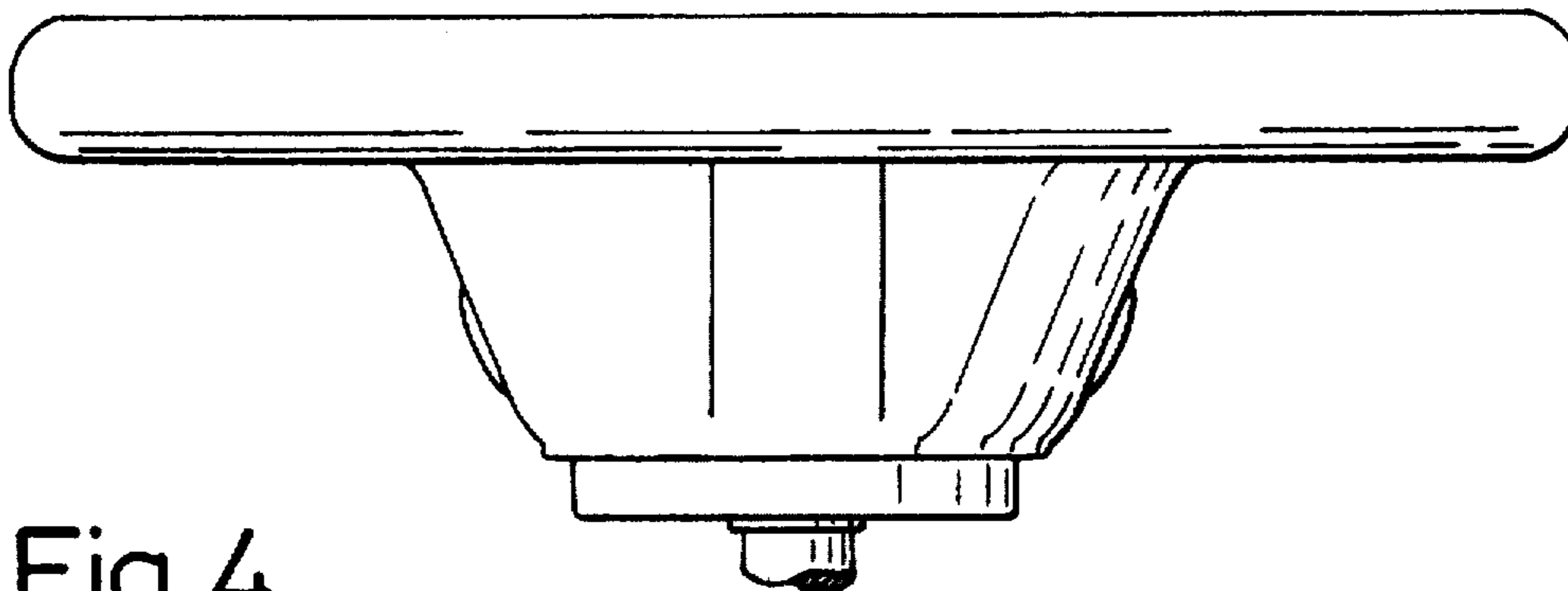


Fig. 5

