



US00D392602S

United States Patent [19]
Silva

[11] **Patent Number: Des. 392,602**
[45] **Date of Patent: **Mar. 24, 1998**

[54] **BICYCLE FRAME**

[76] **Inventor: Gary Silva, 1260 Washington Ave.,
Miami Beach, Fla. 33139**

[**] **Term: 14 Years**

[21] **Appl. No.: 61,840**

[22] **Filed: Oct. 31, 1996**

[51] **LOC (6) Cl. 12-11**

[52] **U.S. Cl. D12/111**

[58] **Field of Search D12/111; 280/261,
280/270, 281.1, 288.1-288.3**

[56] **References Cited**

U.S. PATENT DOCUMENTS

D. 236,803	9/1975	Ennio	D12/111
D. 299,220	1/1989	Trusky	D12/111
D. 301,437	6/1989	Bleustein et al.	D12/110
D. 369,574	5/1996	Clarke	D12/111

Primary Examiner—Melody N. Brown
Attorney, Agent, or Firm—Robert M. Schwartz

[57] **CLAIM**

The ornamental design for a bicycle frame, as shown and described.

DESCRIPTION

FIG. 1 is a right side view of a bicycle frame showing my new design, the portions of the bicycle shown in broken lines are for illustrative purposes only and form no part of the claimed design;

FIG. 2 is a top view of the bicycle frame;

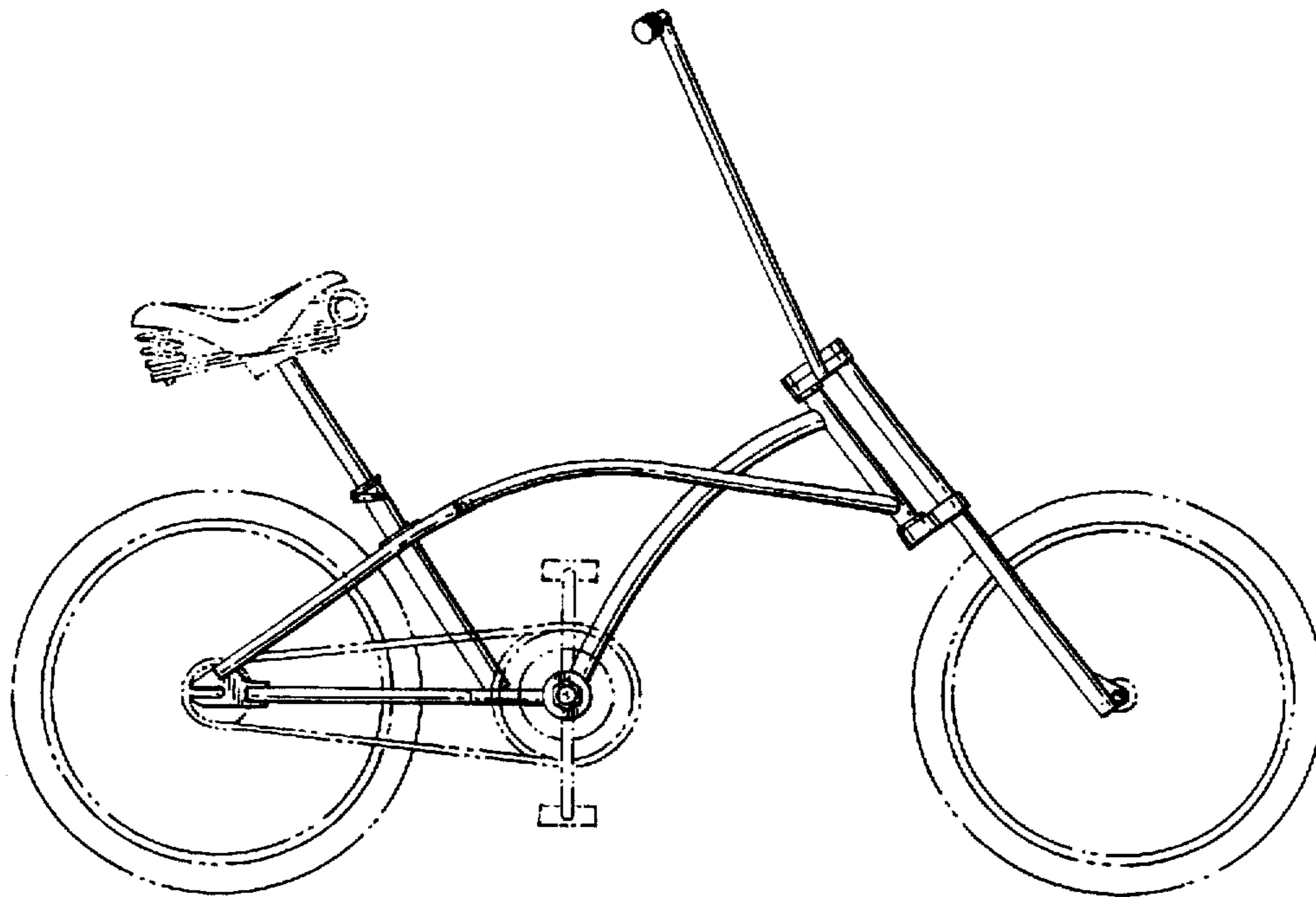
FIG. 3 is a bottom view of the bicycle frame;

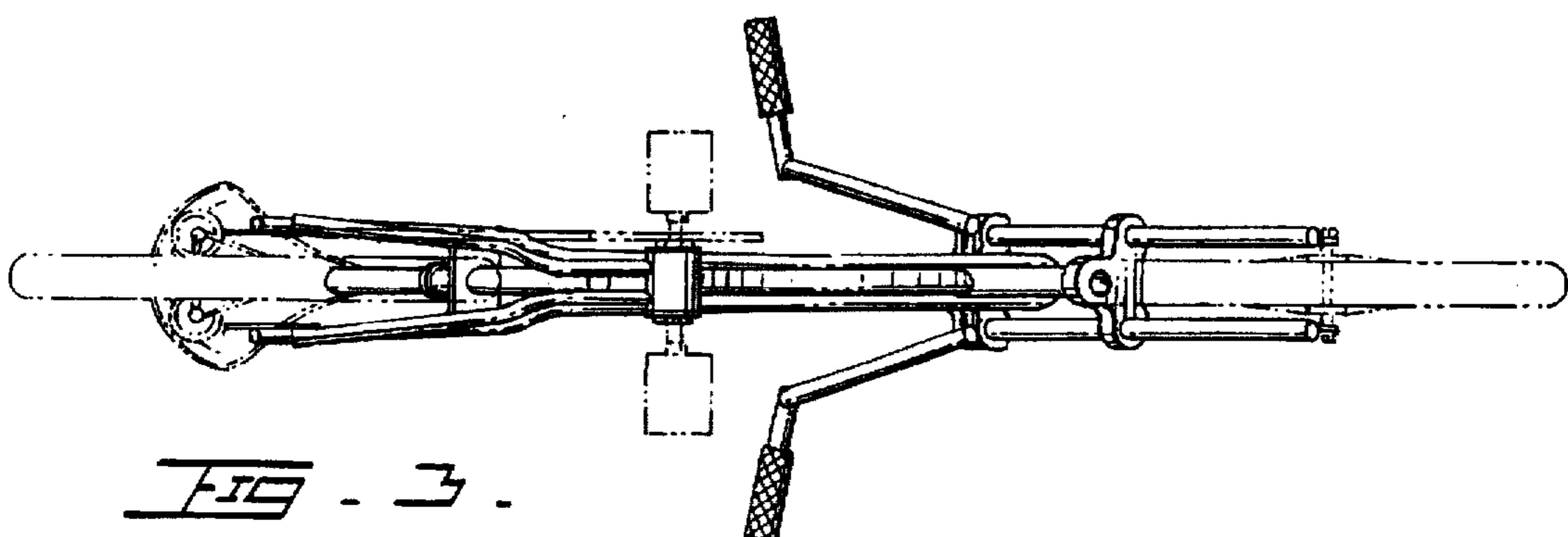
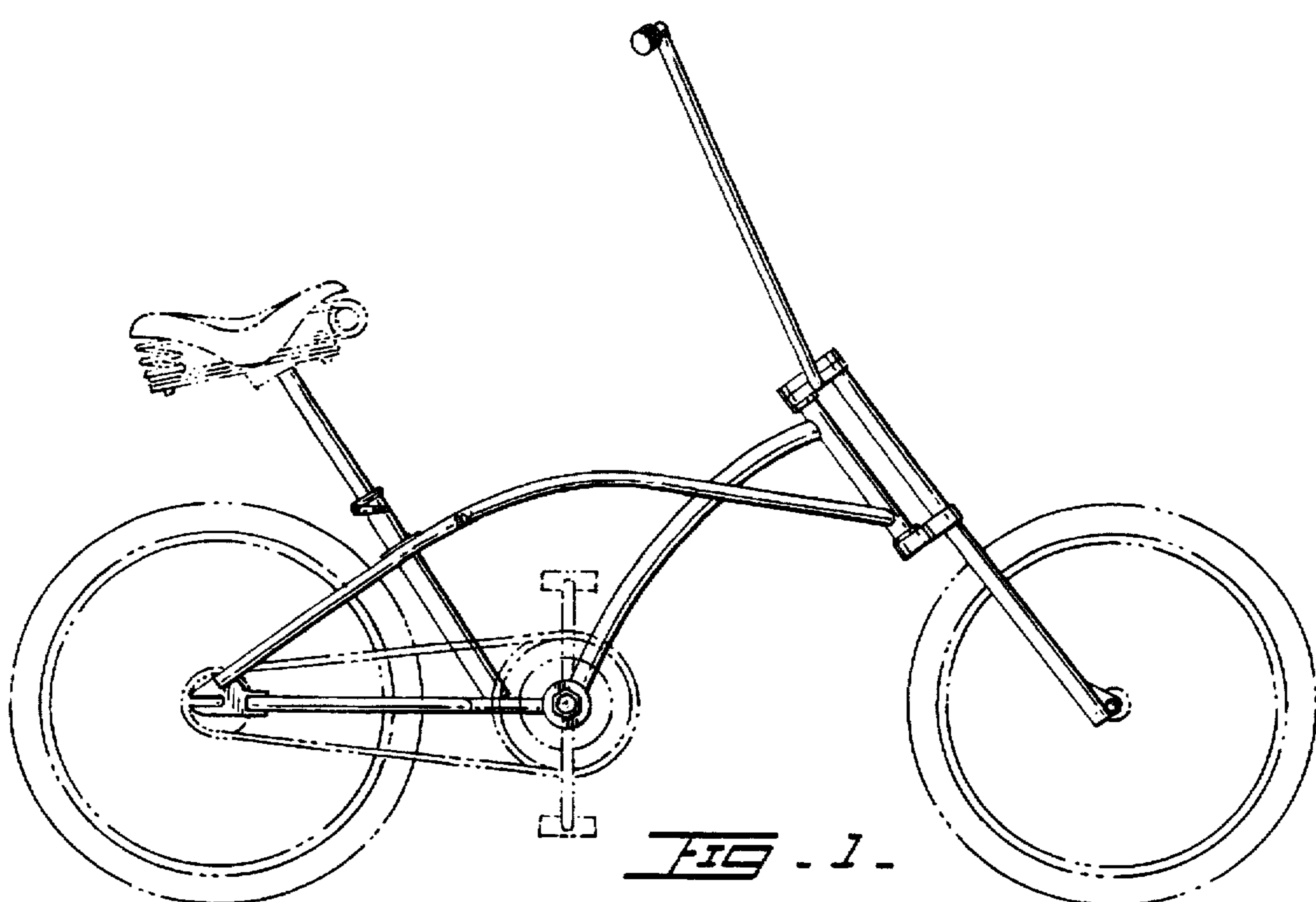
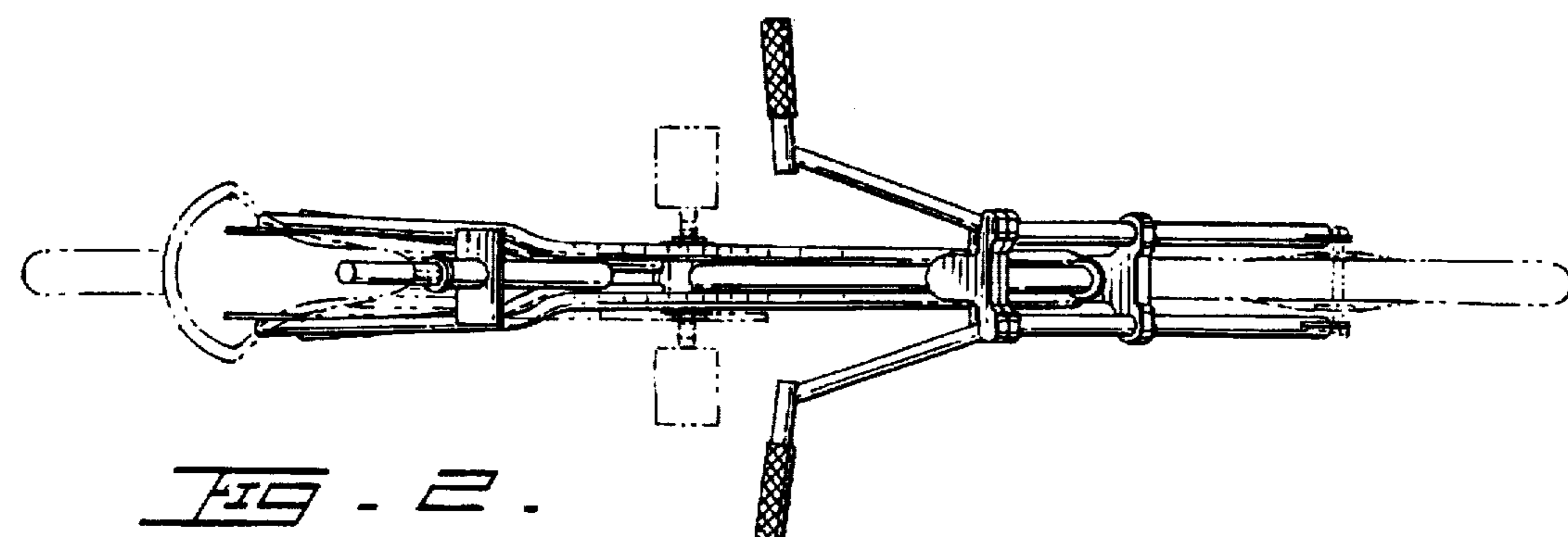
FIG. 4 is a left side view of the bicycle frame;

FIG. 5 is a front view of the bicycle frame; and,

FIG. 6 is a rear view of the bicycle frame.

1 Claim, 2 Drawing Sheets





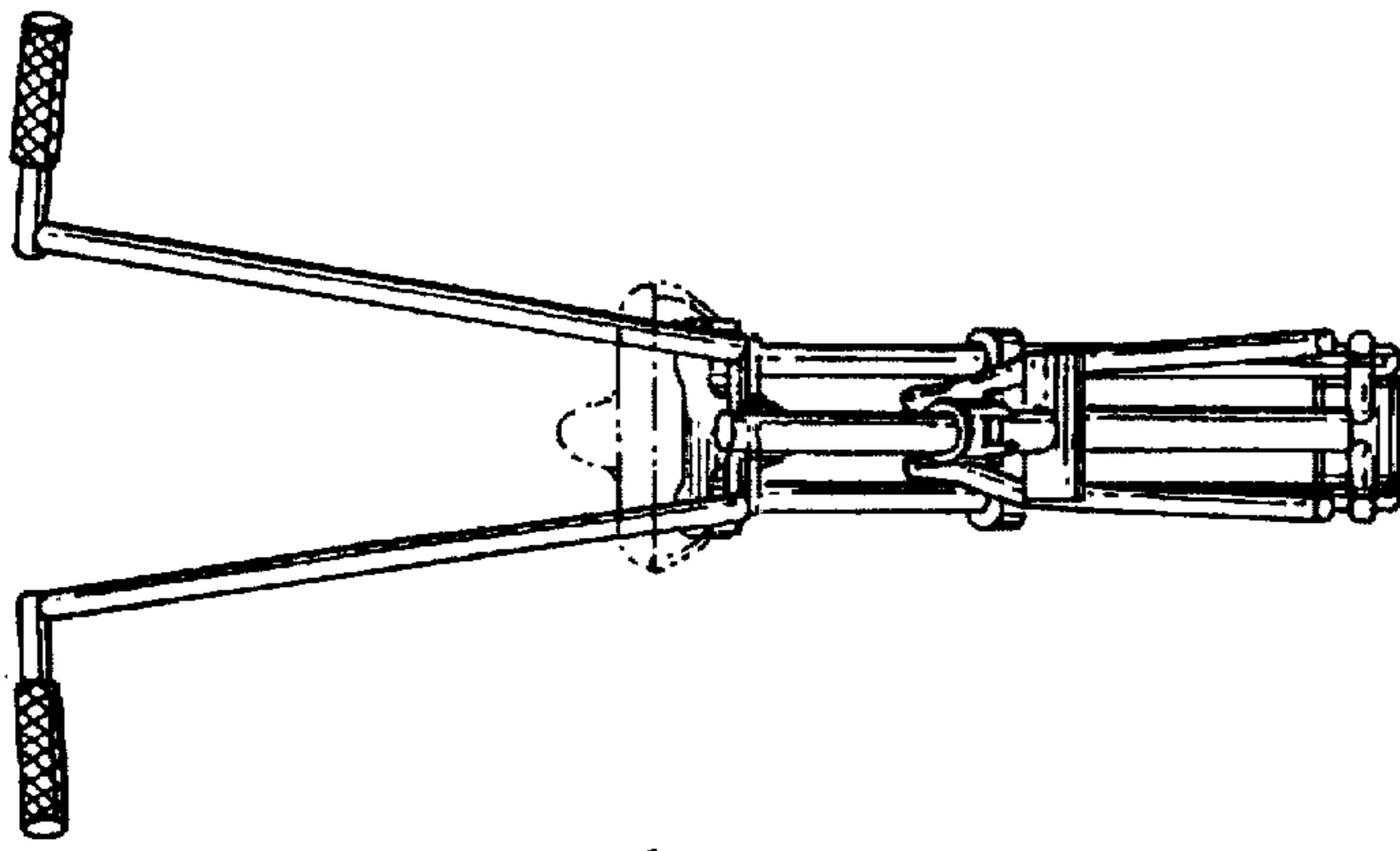


FIG. 3.

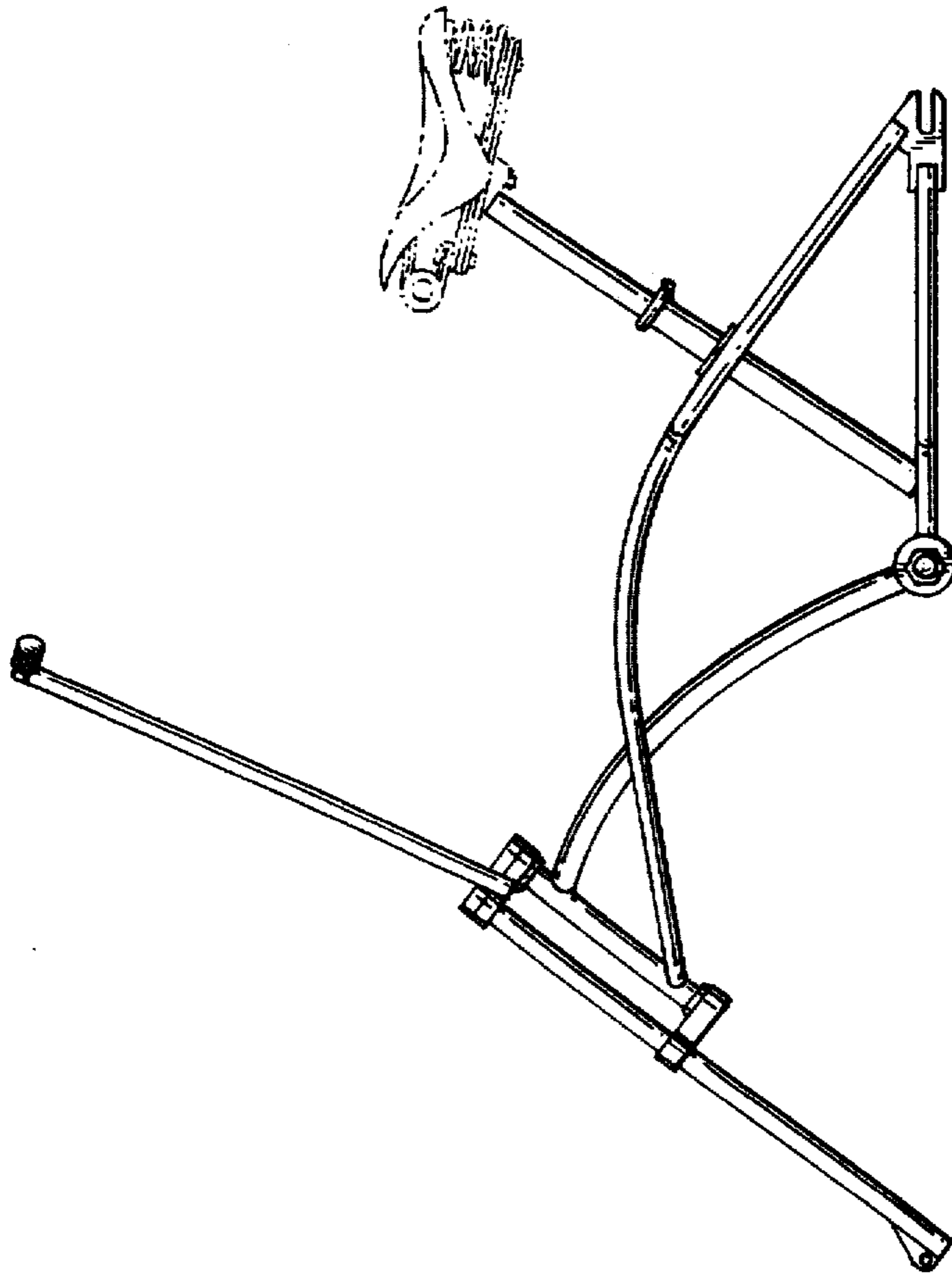


FIG. 4.

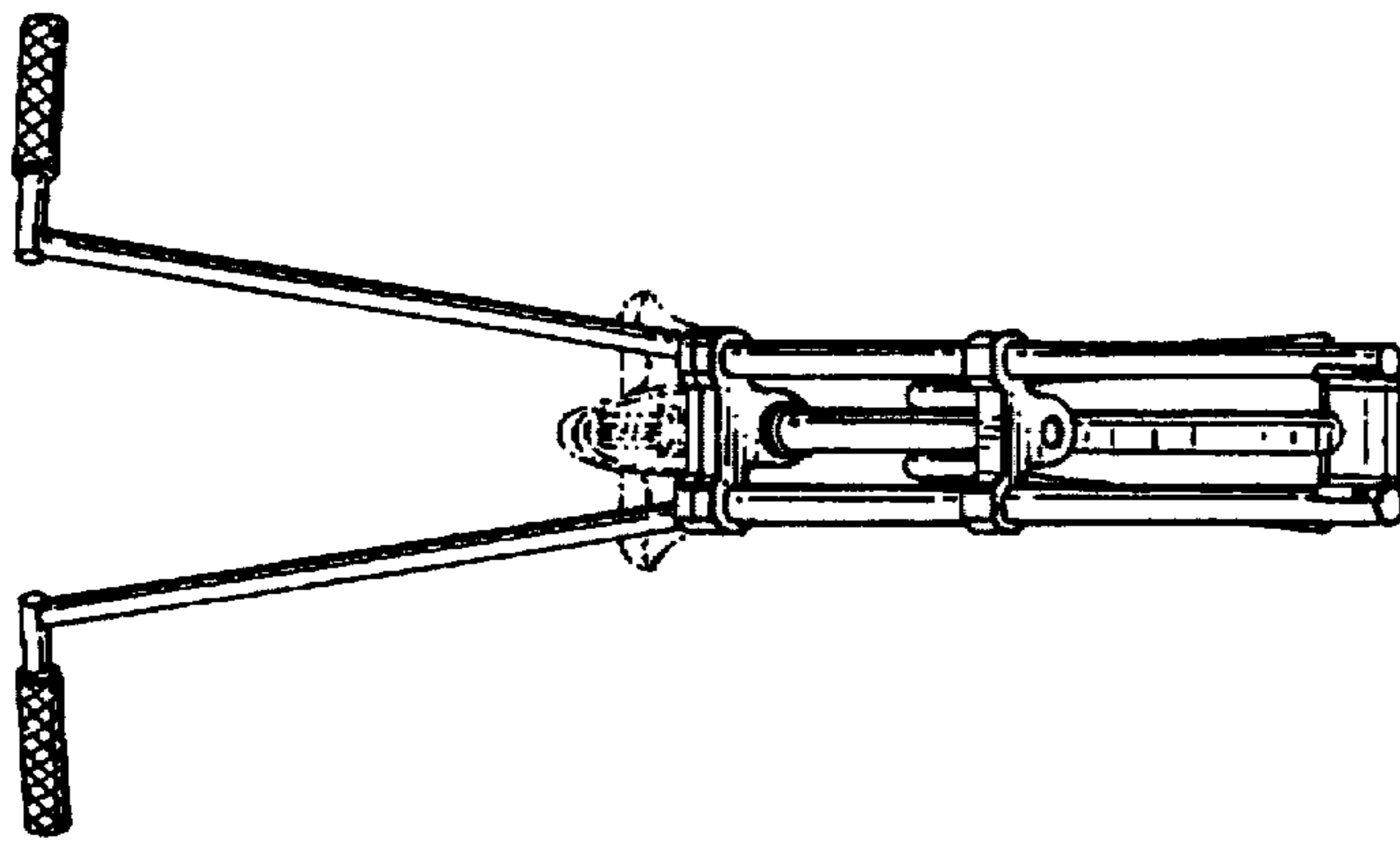


FIG. 5.