



US00D392597S

**United States Patent** [19]  
**Brounstein**

[11] **Patent Number: Des. 392,597**  
[45] **Date of Patent: \*\*Mar. 24, 1998**

[54] **TRUCK CAB**

D. 339,314 9/1993 Moar ..... D12/96  
4,201,415 5/1980 Suchanek ..... 296/190

[76] **Inventor: Gary Brounstein, 600 Douglas Fir Dr.,  
Reno, Nev. 89511**

*Primary Examiner*—A. Hugo Word  
*Assistant Examiner*—Lavone D. Tabor  
*Attorney, Agent, or Firm*—Brian C. Kelly

[\*\*] **Term: 14 Years**

[57] **CLAIM**

[21] **Appl. No.: 40,303**

The ornamental design for a truck cab, as shown and described.

[22] **Filed: Jun. 12, 1995**

[51] **LOC (6) Cl. .... 12-08**

**DESCRIPTION**

[52] **U.S. Cl. .... D12/97**

[58] **Field of Search** ..... D12/82, 93, 96,  
D12/97, 99; 180/89.12, 89.13, 89.18, 89.19;  
296/183, 190

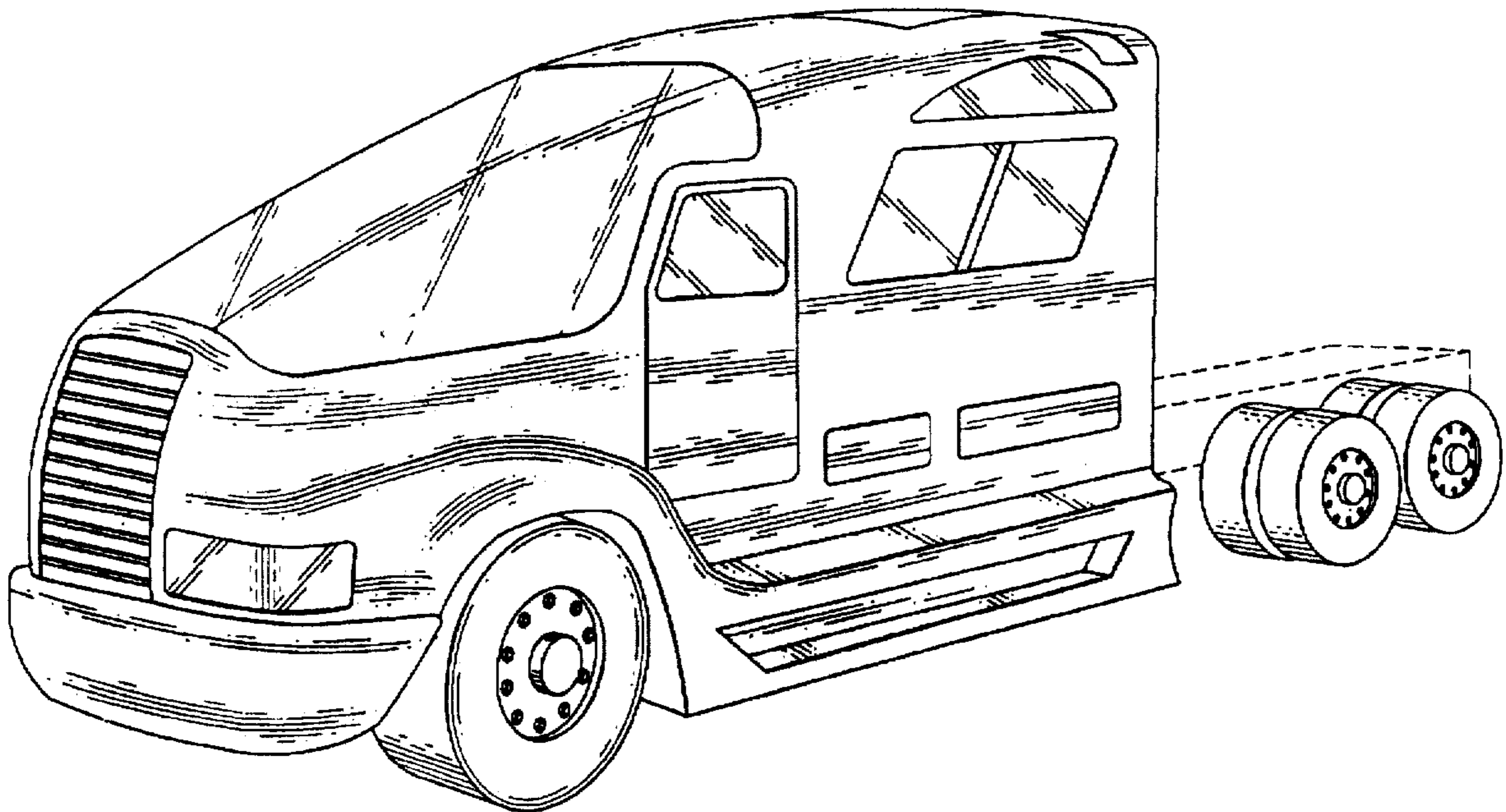
FIG. 1 is a perspective view of the design;  
FIG. 2 is a top view of the design;  
FIG. 3 is a right side view of the design;  
FIG. 4 is a left side view of the design;  
FIG. 5 is a front view of the design; and,  
FIG. 6 is a back view of the design.  
The broken lines are for illustrative purposes only and form no part of the claimed design.

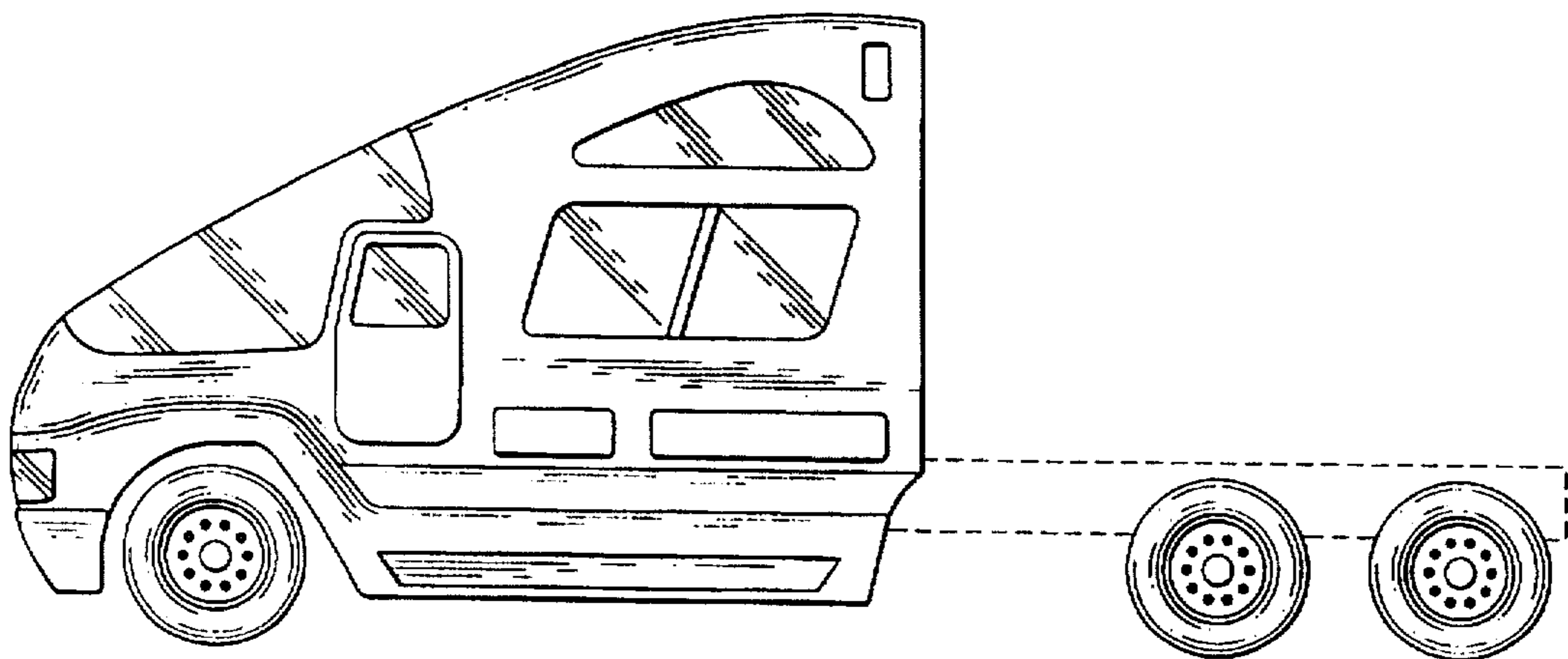
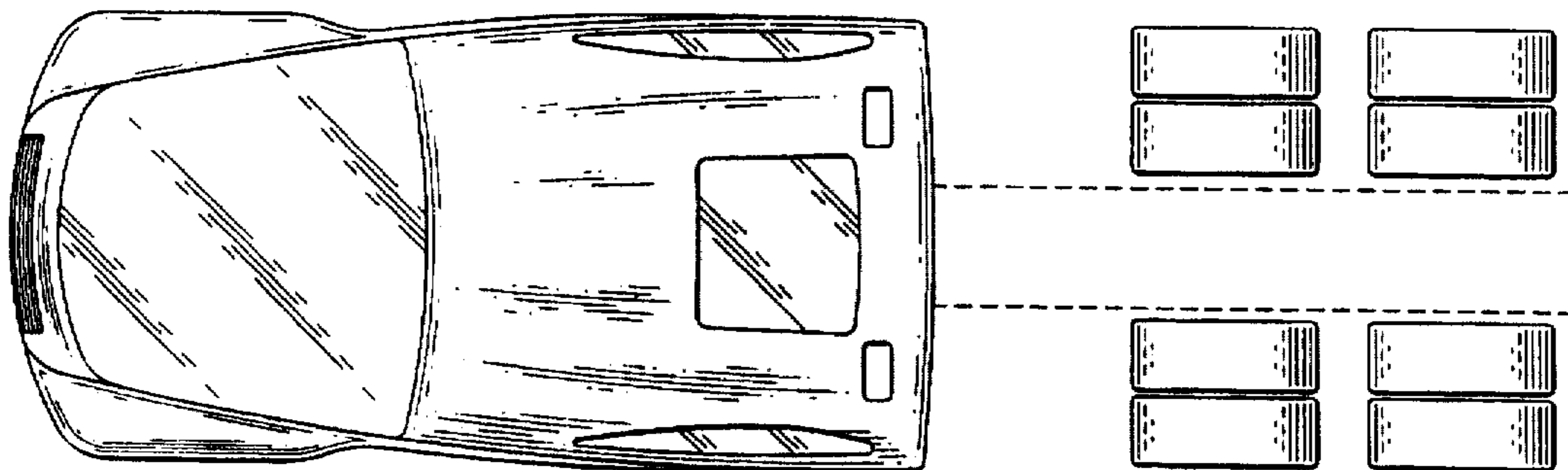
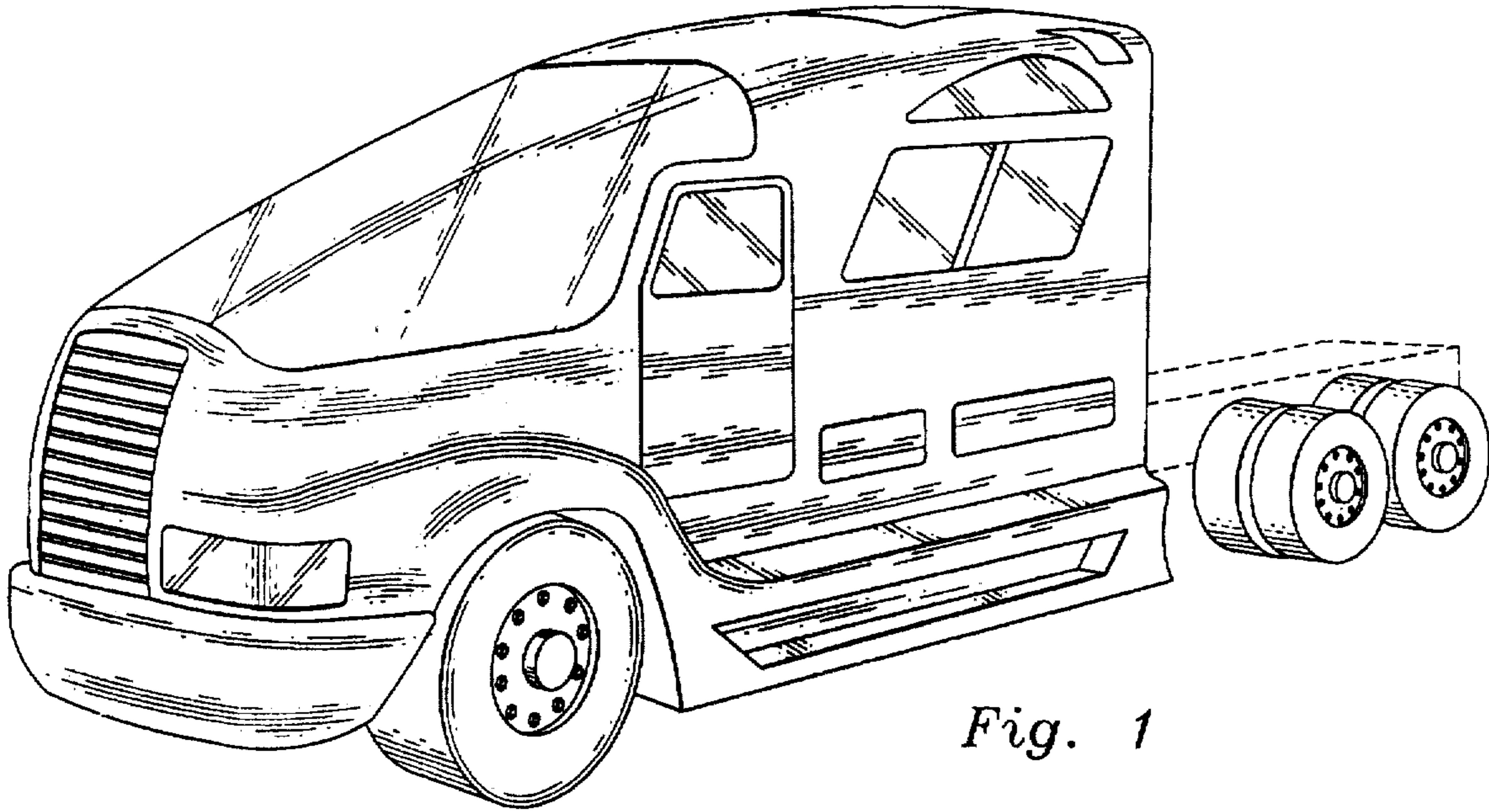
[56] **References Cited**

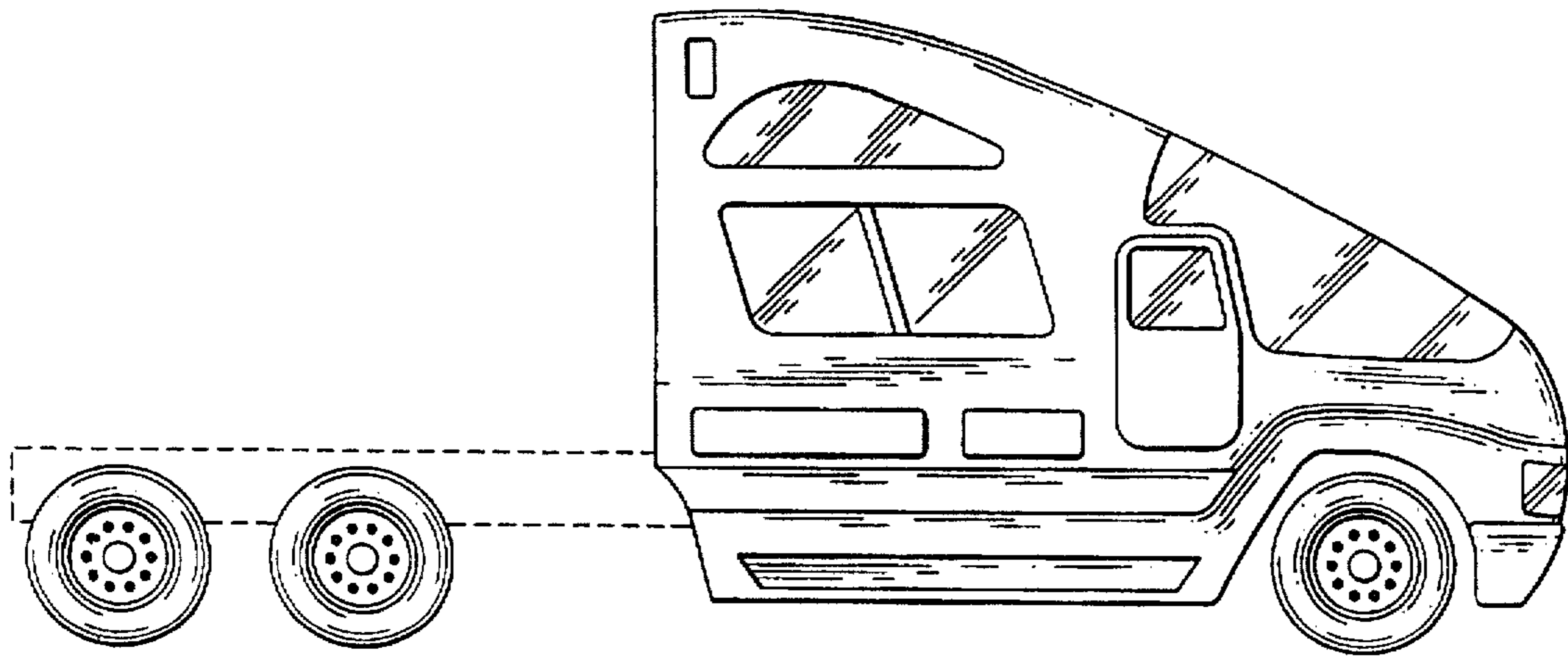
**U.S. PATENT DOCUMENTS**

D. 242,996 1/1977 Servais et al. .... D12/97  
D. 291,872 9/1987 Simons et al. .... D12/96

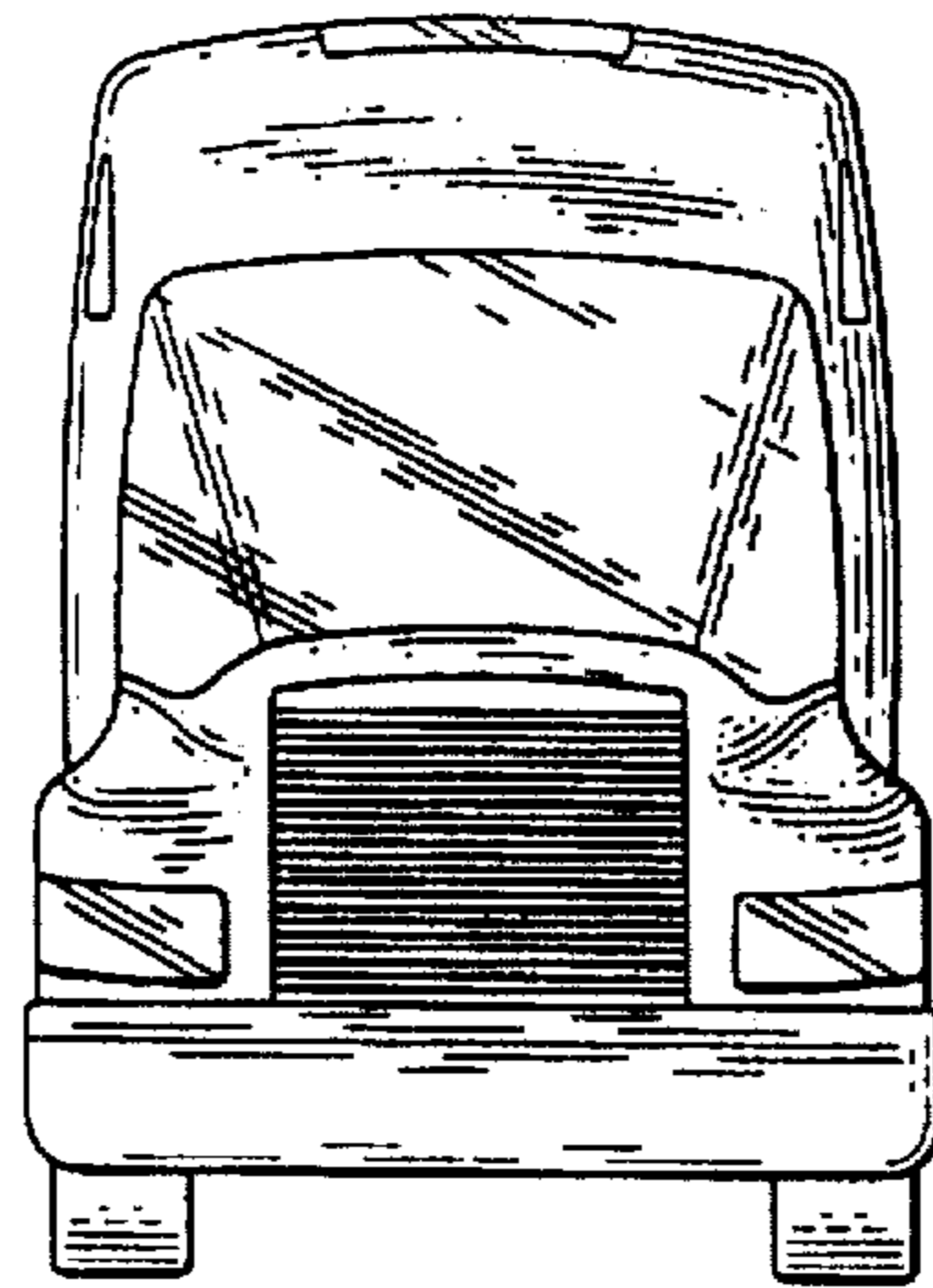
**1 Claim, 2 Drawing Sheets**



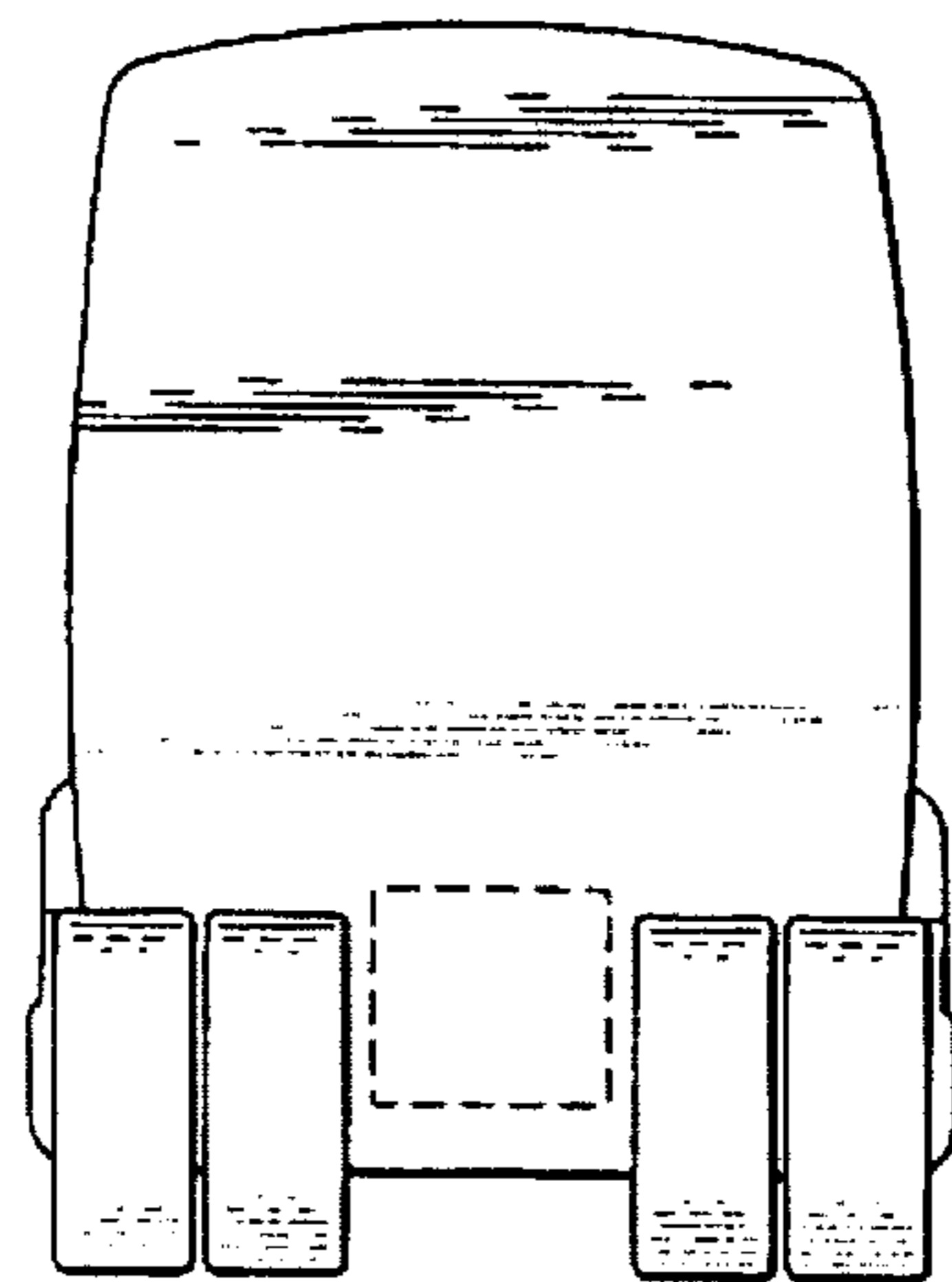




*Fig. 4*



*Fig. 5*



*Fig. 6*