



US00D392595S

United States Patent [19]
Moor

[11] **Patent Number: Des. 392,595**
[45] **Date of Patent: **Mar. 24, 1998**

[54] **PORTION OF A ZIPPER PULL**
[75] **Inventor: Marc Moor, Hilliard, Ohio**
[73] **Assignee: The Mead Corporation, Dayton, Ohio**
[**] **Term: 14 Years**

Primary Examiner—Ralf Seifert
Attorney, Agent, or Firm—Thompson Hine & Flory LLP

[57] **CLAIM**

The ornamental design for a portion of a zipper pull, as shown and described.

DESCRIPTION

[21] **Appl. No.: 62,218**
[22] **Filed: Nov. 12, 1996**
[51] **LOC (6) Cl. 02-07**
[52] **U.S. Cl. D11/221**
[58] **Field of Search D11/200, 201,**
D11/221, 212; 24/381-385, 415-417, 427-431

FIG. 1 is a top plan view of a portion of a zipper pull showing my new design, the bottom plan view being the same;
FIG. 2 is a front elevational view, the opposite side view being the same;
FIG. 3 is a right side elevational view, the left side being the same; and,
FIG. 4 is a partial perspective view.
The broken line showing of a zipper pull in FIGS. 1-4, is for illustrative purposes only and forms no part of the claimed design.

[56] **References Cited**

U.S. PATENT DOCUMENTS

D. 123,188 10/1940 Morin D11/221
D. 169,929 6/1953 Cardile D11/221
D. 305,106 12/1989 Aoki D11/221

1 Claim, 2 Drawing Sheets

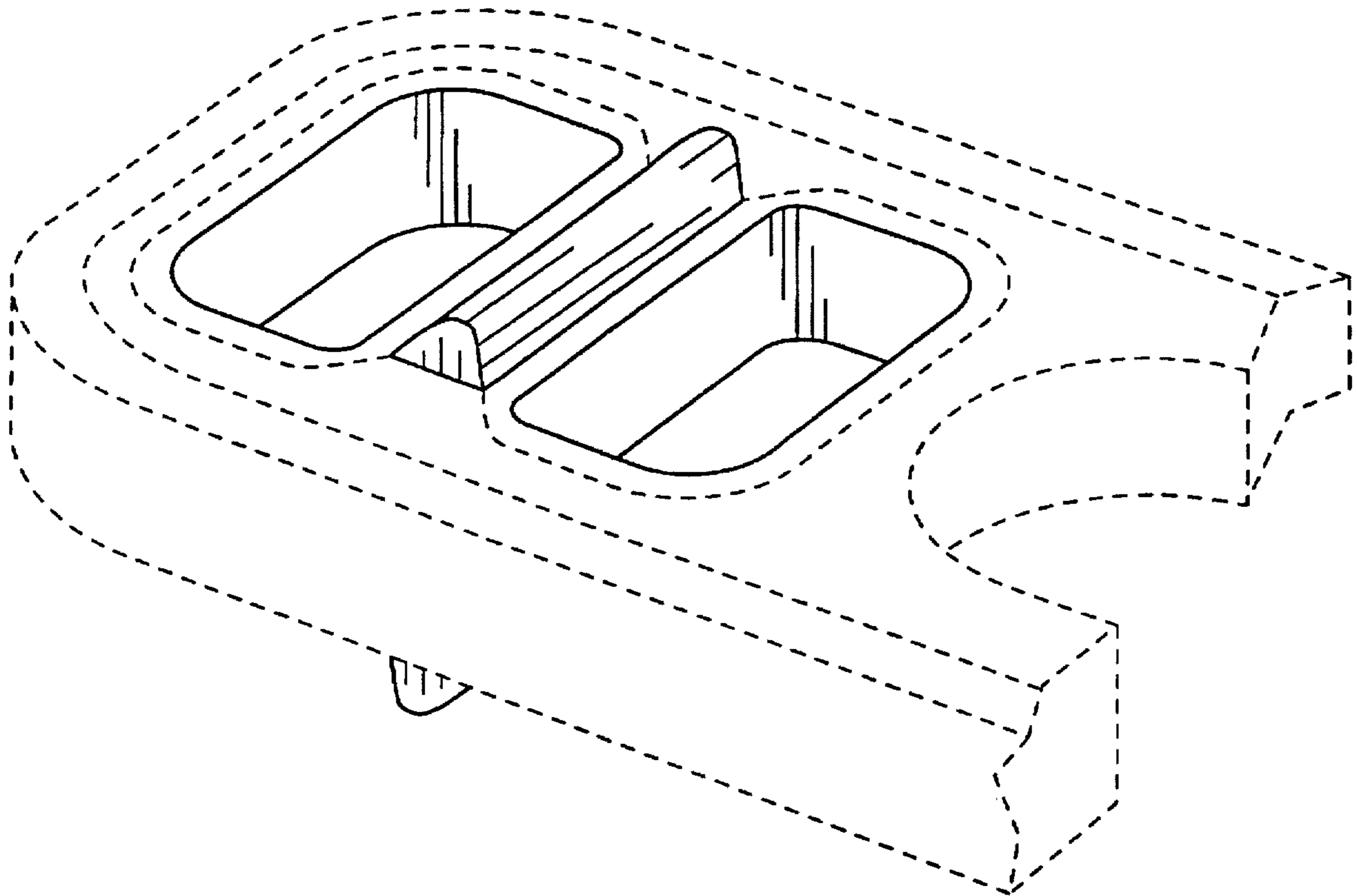


FIG. 3

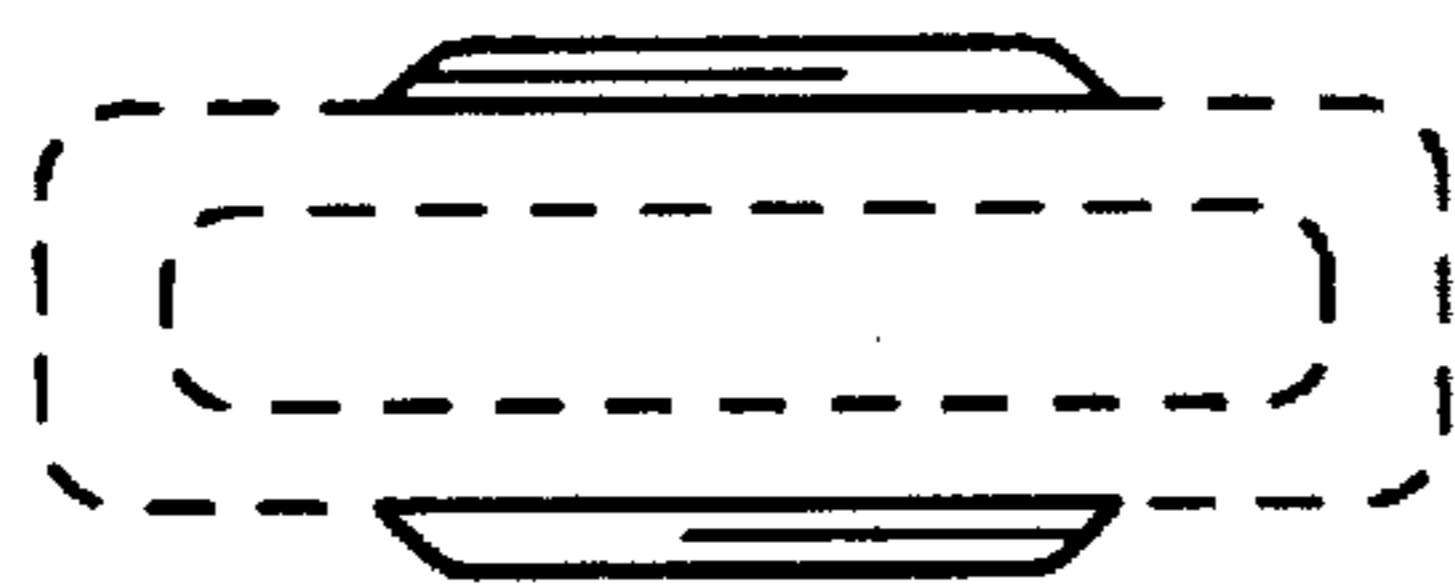


FIG. 1

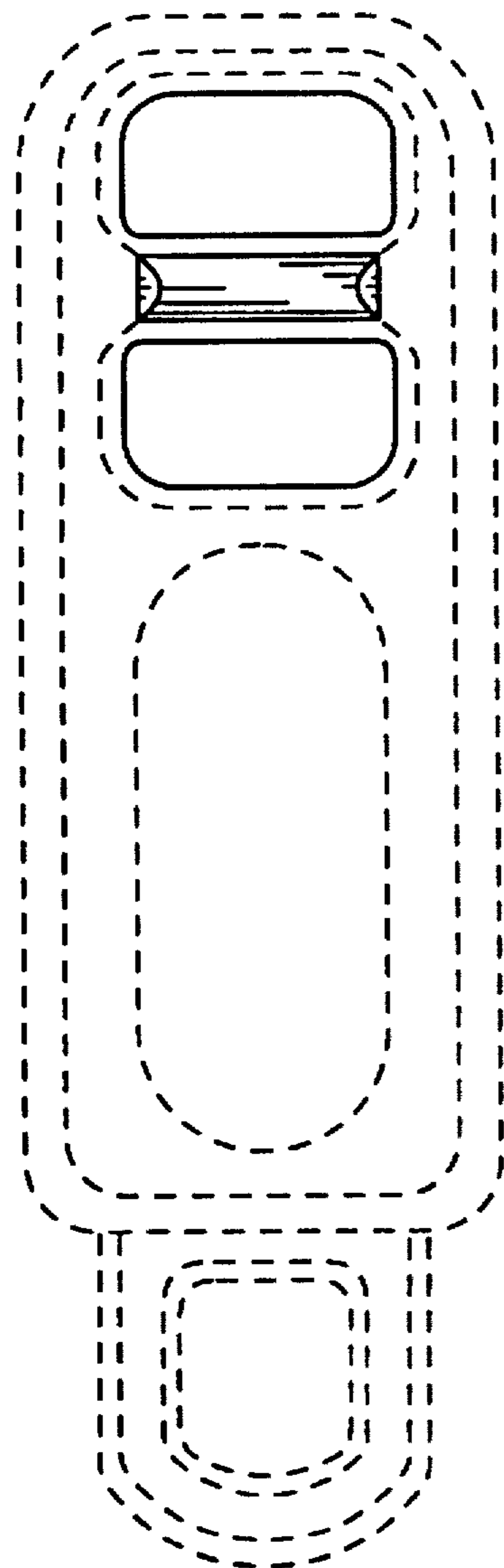
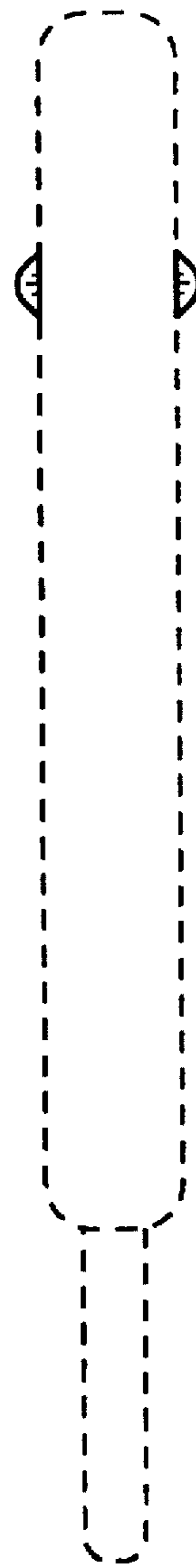


FIG. 2



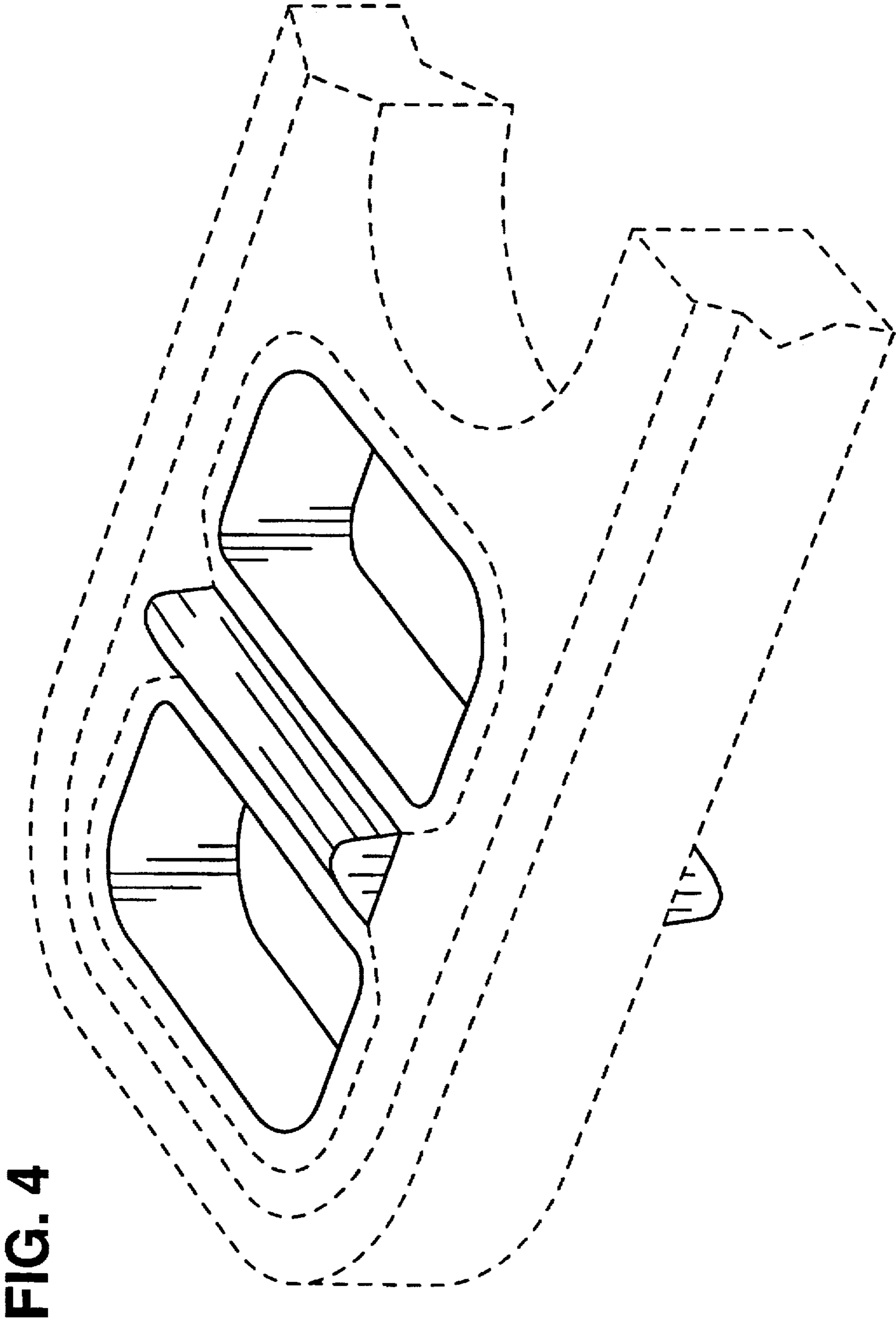


FIG. 4