

US00D392590S

United States Patent [19]
Bachar

[11] **Patent Number: Des. 392,590**
[45] **Date of Patent: **Mar. 24, 1998**

[54] **SEGMENTED PEAR CUT STONE**
[76] **Inventor: Shlomo Bachar, One Irving Pl., New York, N.Y. 10003**
[**] **Term: 14 Years**
[21] **Appl. No.: 67,631**
[22] **Filed: Mar. 10, 1997**
[51] **LOC (6) Cl. 11-01**
[52] **U.S. Cl. D11/90**
[58] **Field of Search D11/1, 2, 26-29, D11/89-90; 63/2, 1, 32**

[56] **References Cited**
U.S. PATENT DOCUMENTS
D. 334,154 3/1993 Benderly D11/90
D. 340,667 10/1993 Schachter D11/89
D. 371,971 7/1996 Katz D11/90
D. 372,883 8/1996 Adler D11/89
4,118,950 10/1978 Grossbard 63/32

Primary Examiner—Louis S. Zarfes

[57] **CLAIM**
The ornamental design for a segmented pear cut stone, as shown and described.

DESCRIPTION

FIG. 1 is a top plan view of two segments of a segmented pear cut stone showing my new design, the position of the remaining two segments is shown in dot-dash lines;

FIG. 2 is a top plan view of the segmented pear cut stone shown in its entirety;
FIG. 3 is a bottom plan view of FIG. 2;
FIG. 4 is a enlarged bottom plan view of the upper right segment of FIG. 2;
FIG. 5 is a top plan view of FIG. 4;
FIG. 6 is a top side elevational view, as viewed across the line 6—6 of FIG. 5;
FIG. 7 is a bottom side elevational view, as viewed across the line 7—7 of FIG. 5;
FIG. 8 is a right side elevational view, as viewed across the line 8—8 of FIG. 5;
FIG. 9 is a left side elevational view, as viewed across the line 9—9 of FIG. 5;
FIG. 10 is a bottom plan view of the lower left quadrant of FIG. 1;
FIG. 11 is a top side elevational view of FIG. 10;
FIG. 12 is a top side elevational view as viewed across the lines 12—12 of FIG. 11;
FIG. 13 is a bottom side elevational view as viewed across the lines 13—13 of FIG. 11;
FIG. 14 is a right side elevational view as viewed across the lines 14—14 of FIG. 11;
FIG. 15 is a left side elevational view as viewed across the lines 15—15 of FIG. 11;
FIG. 16 is a top side elevational view of FIG. 2;
FIG. 17 is a bottom side elevational of FIG. 2;
FIG. 18 is a right side elevational view of FIG. 2; and,
FIG. 19 is an enlarged top perspective view.

1 Claim, 7 Drawing Sheets

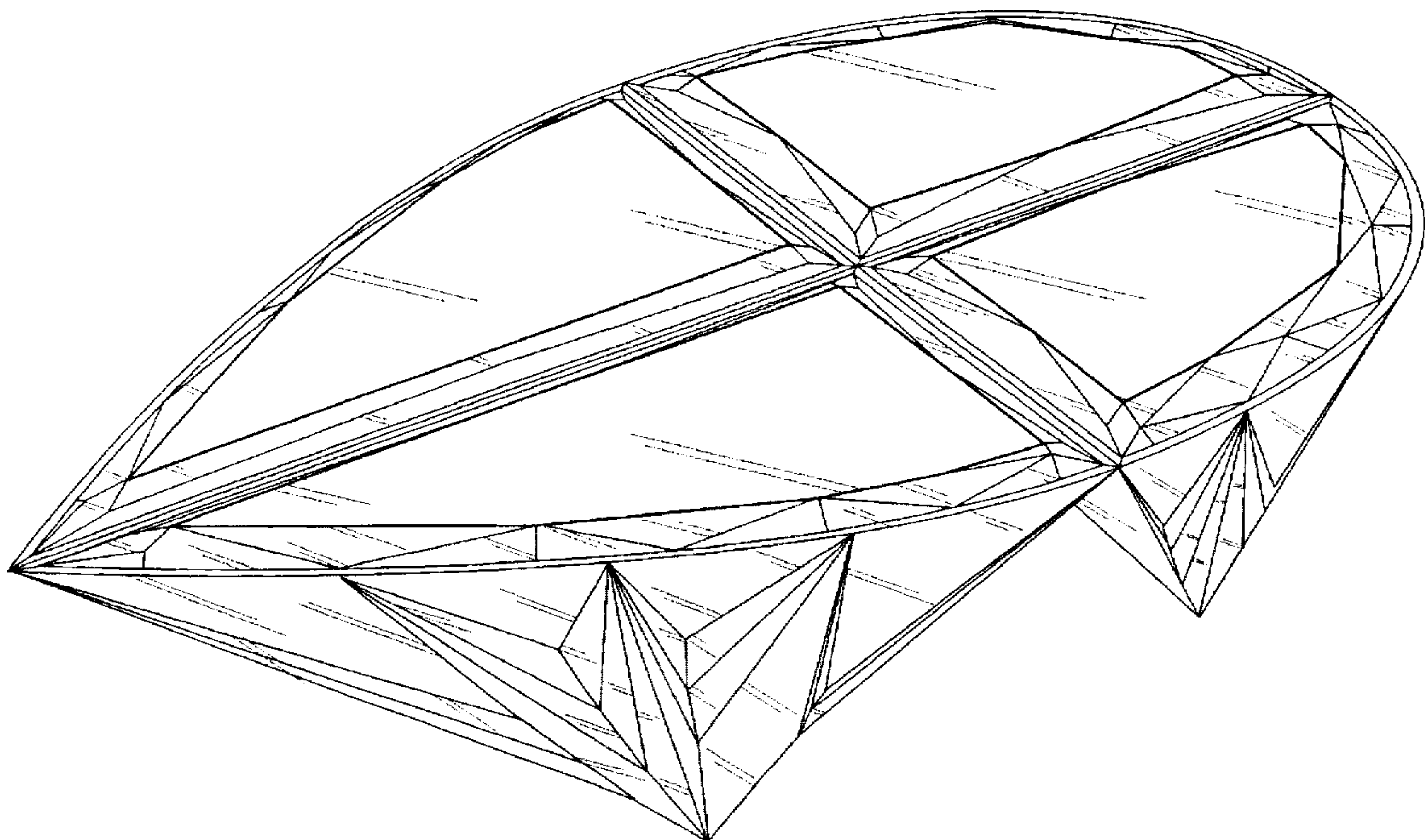


FIG. 3

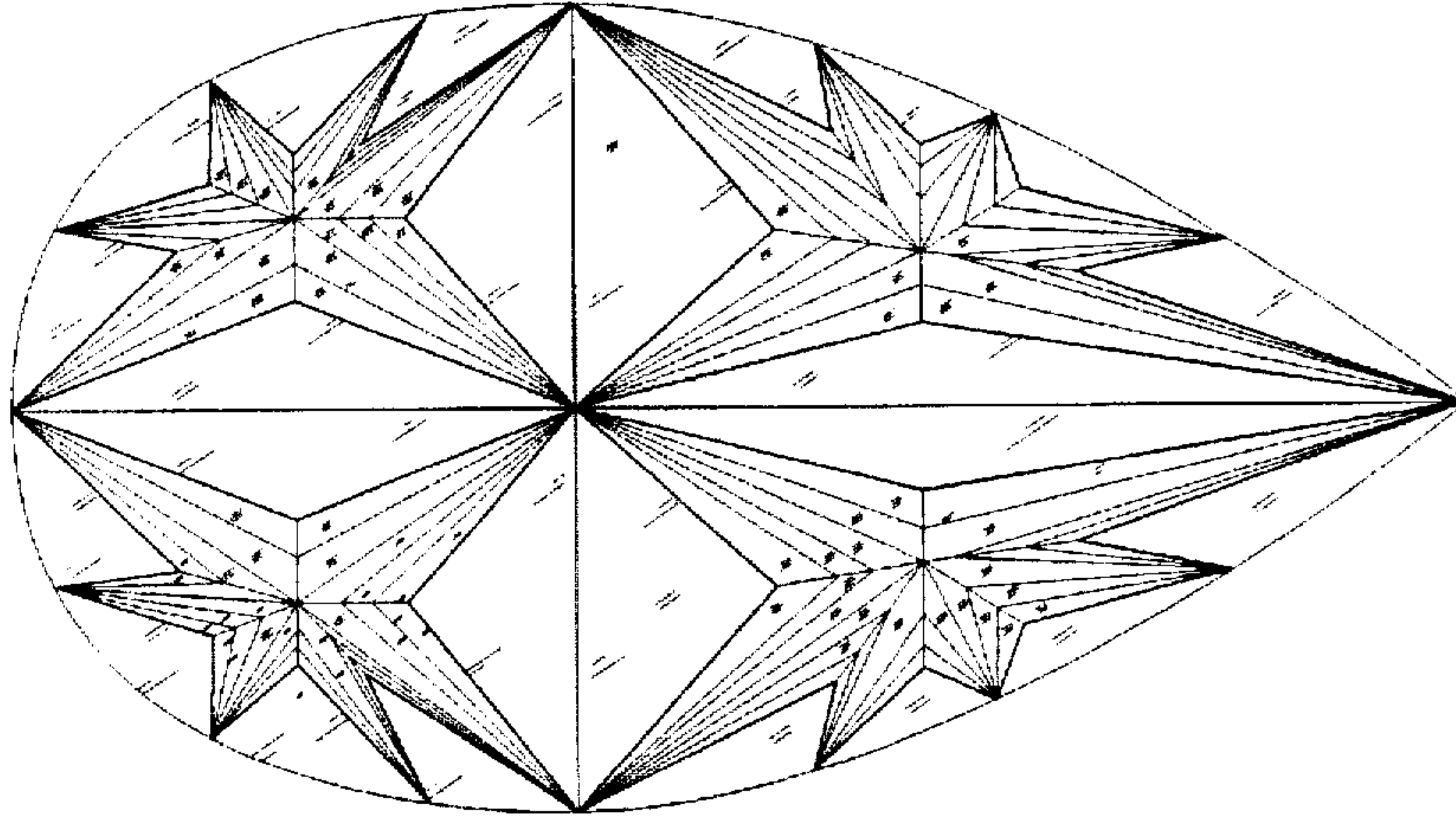


FIG. 2

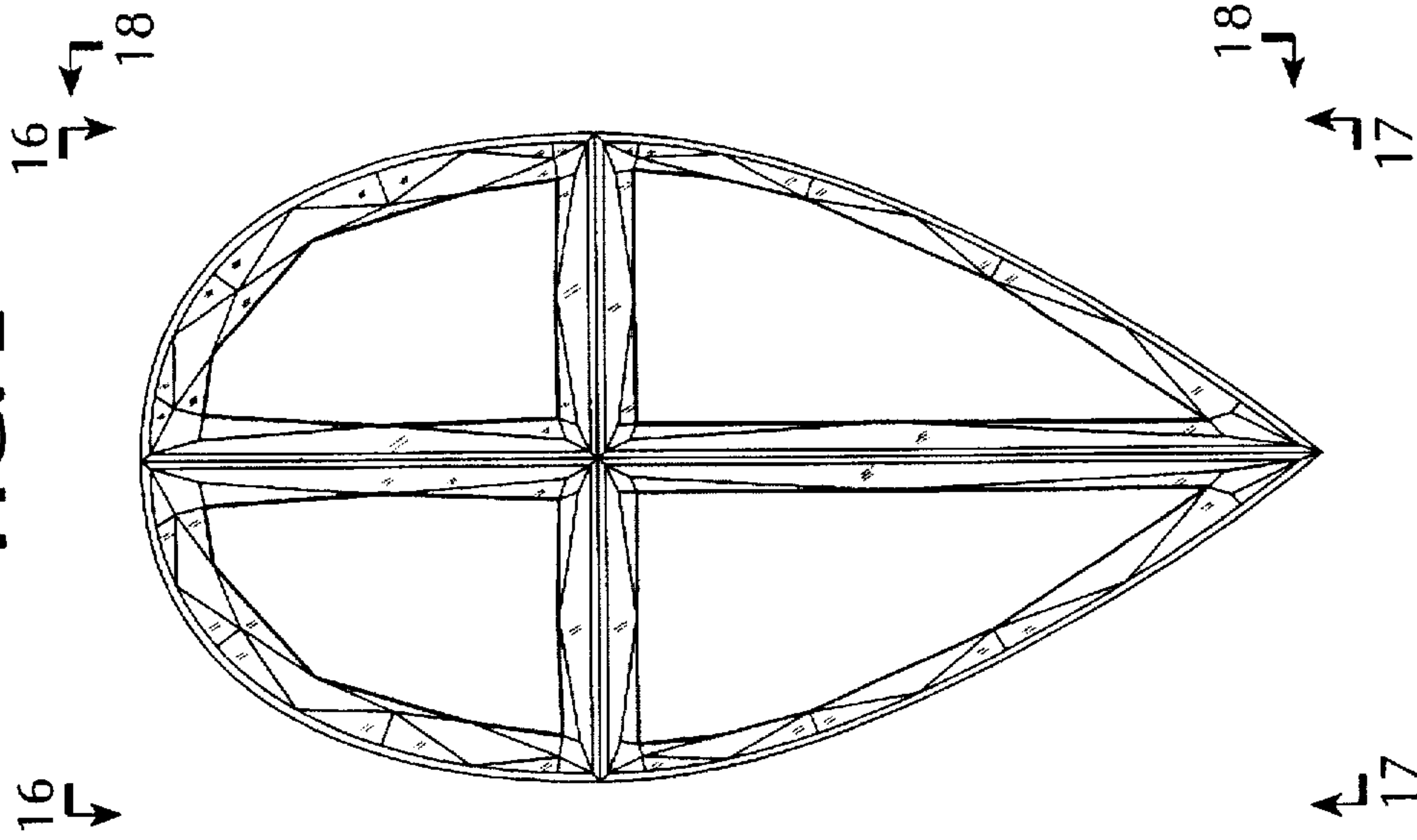


FIG. 1

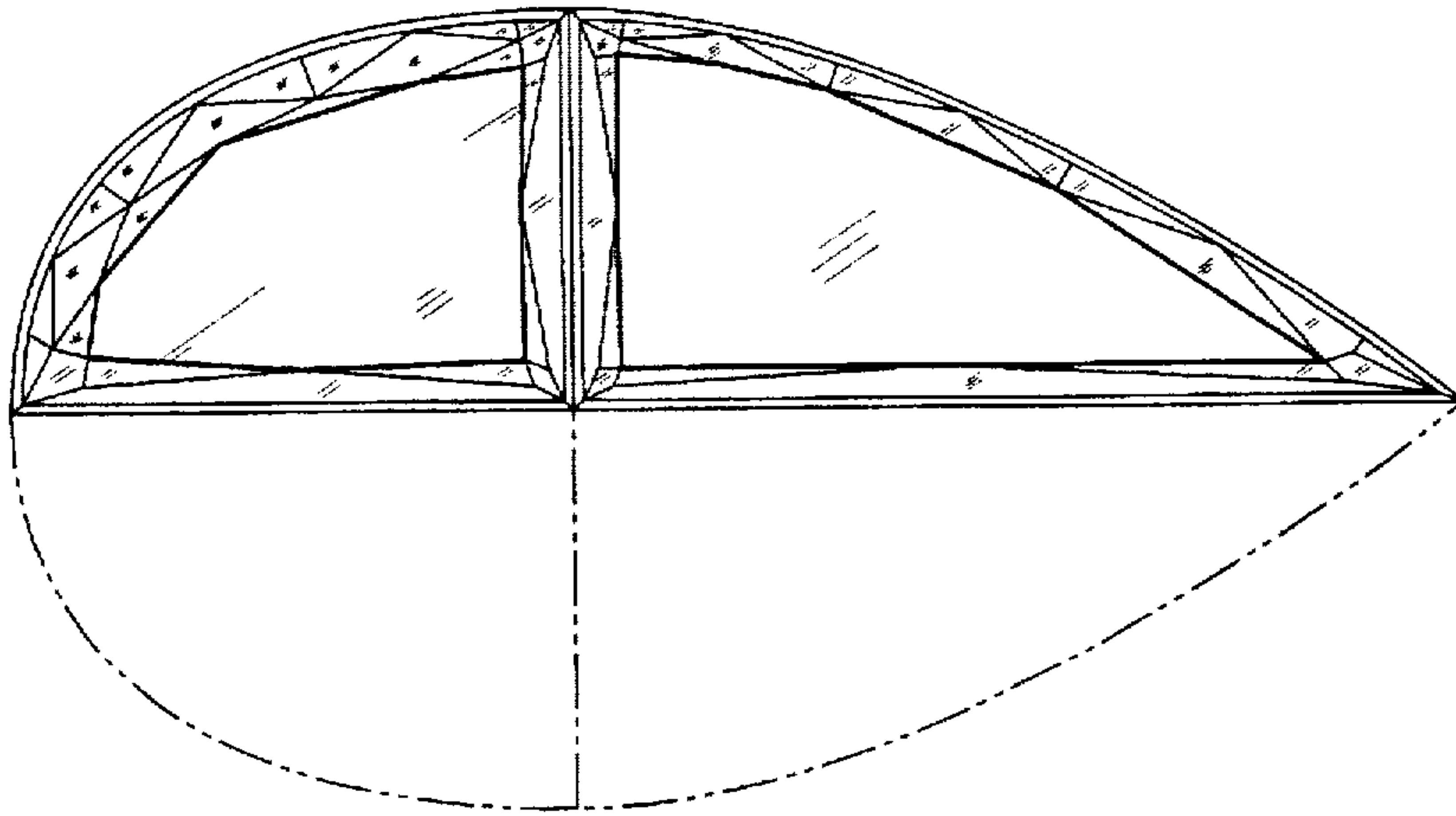


FIG. 4

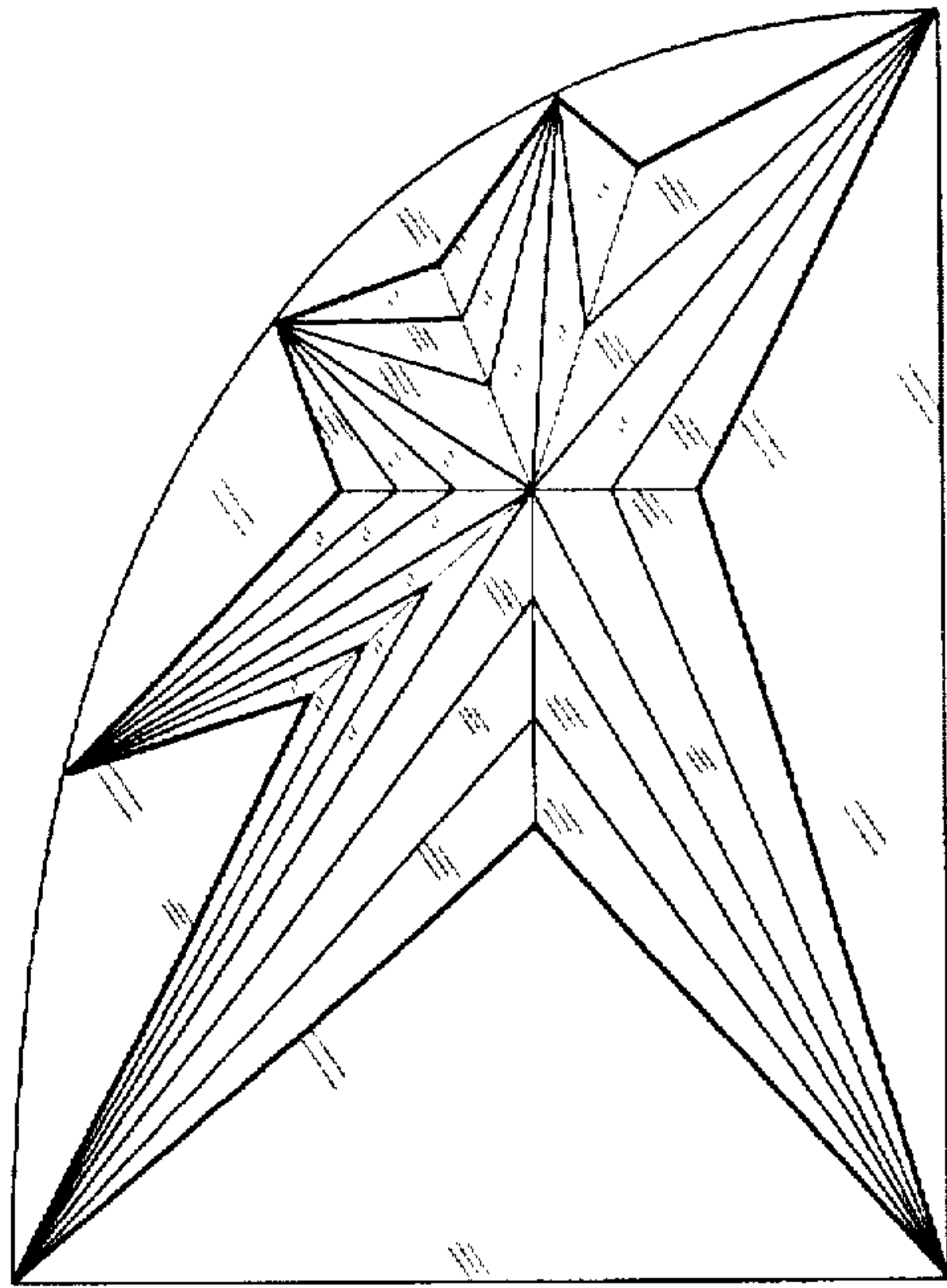


FIG. 5

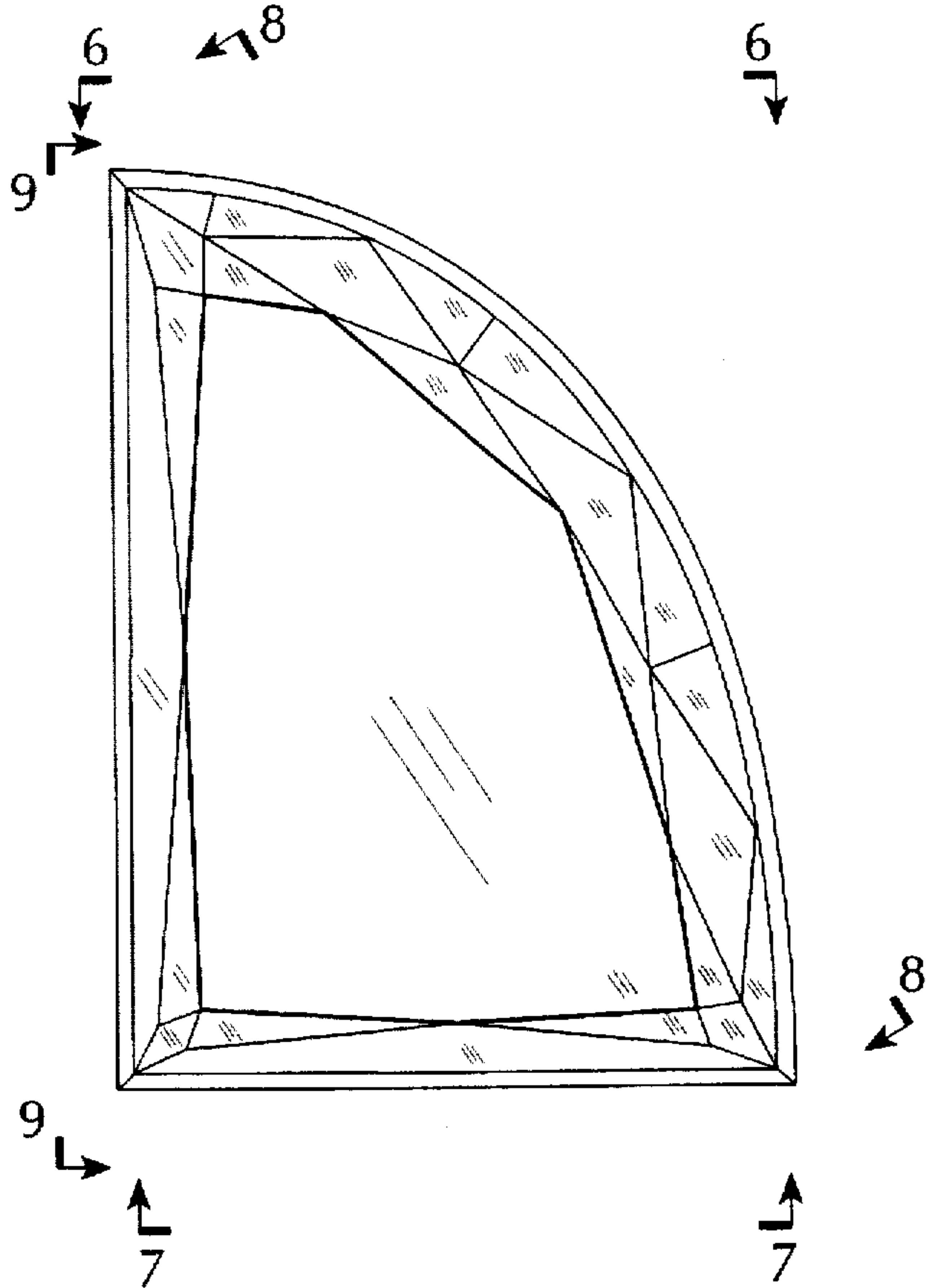


FIG. 6

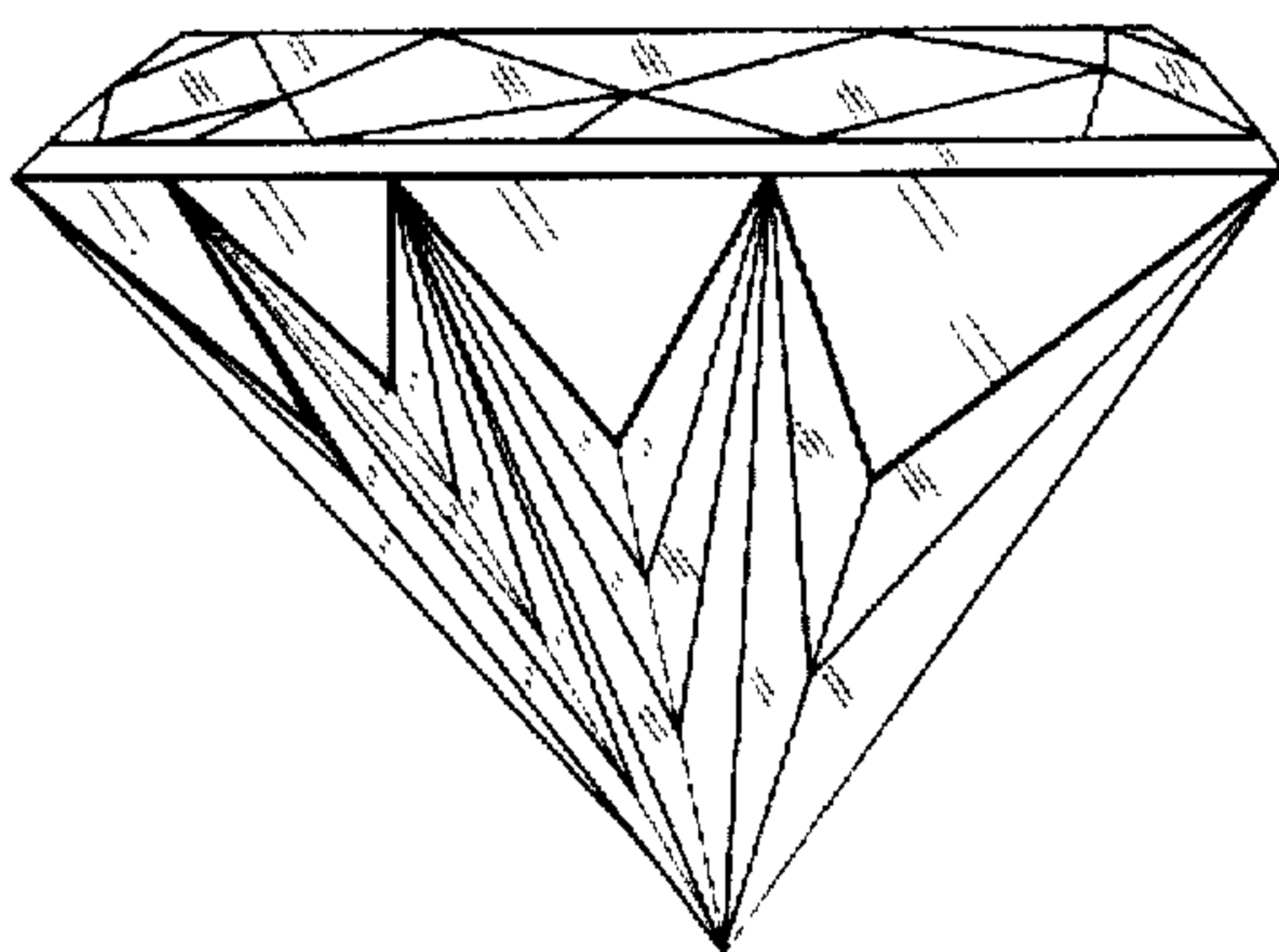


FIG. 7

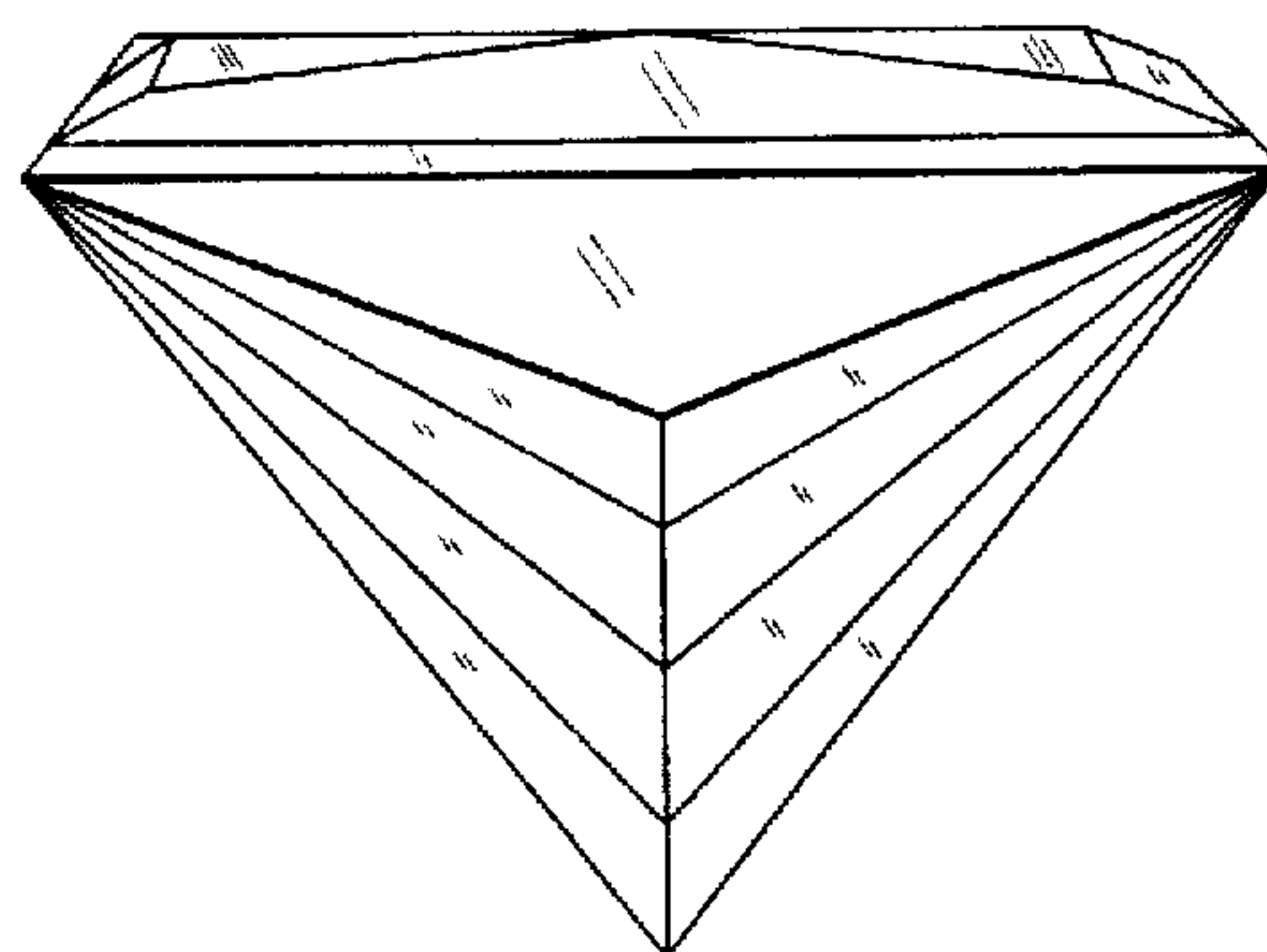


FIG. 8

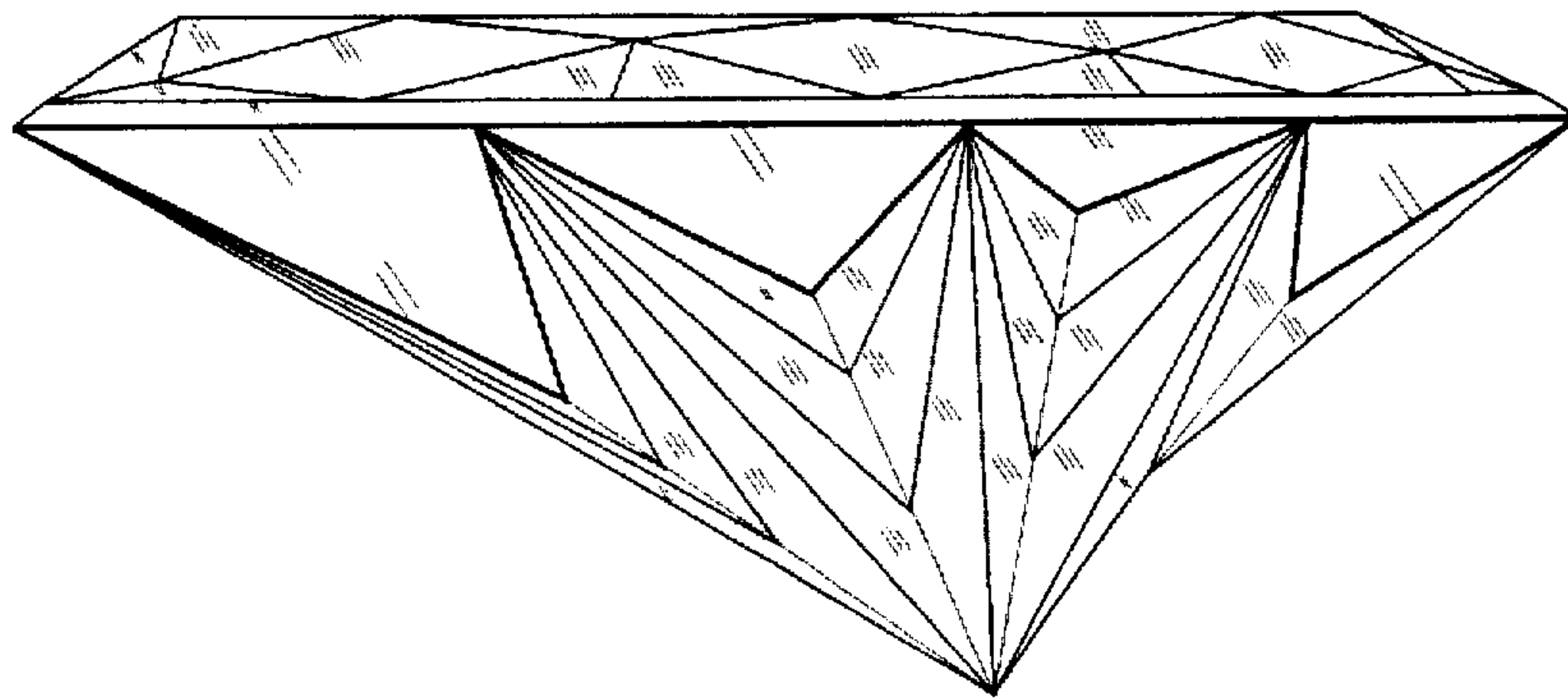


FIG. 9

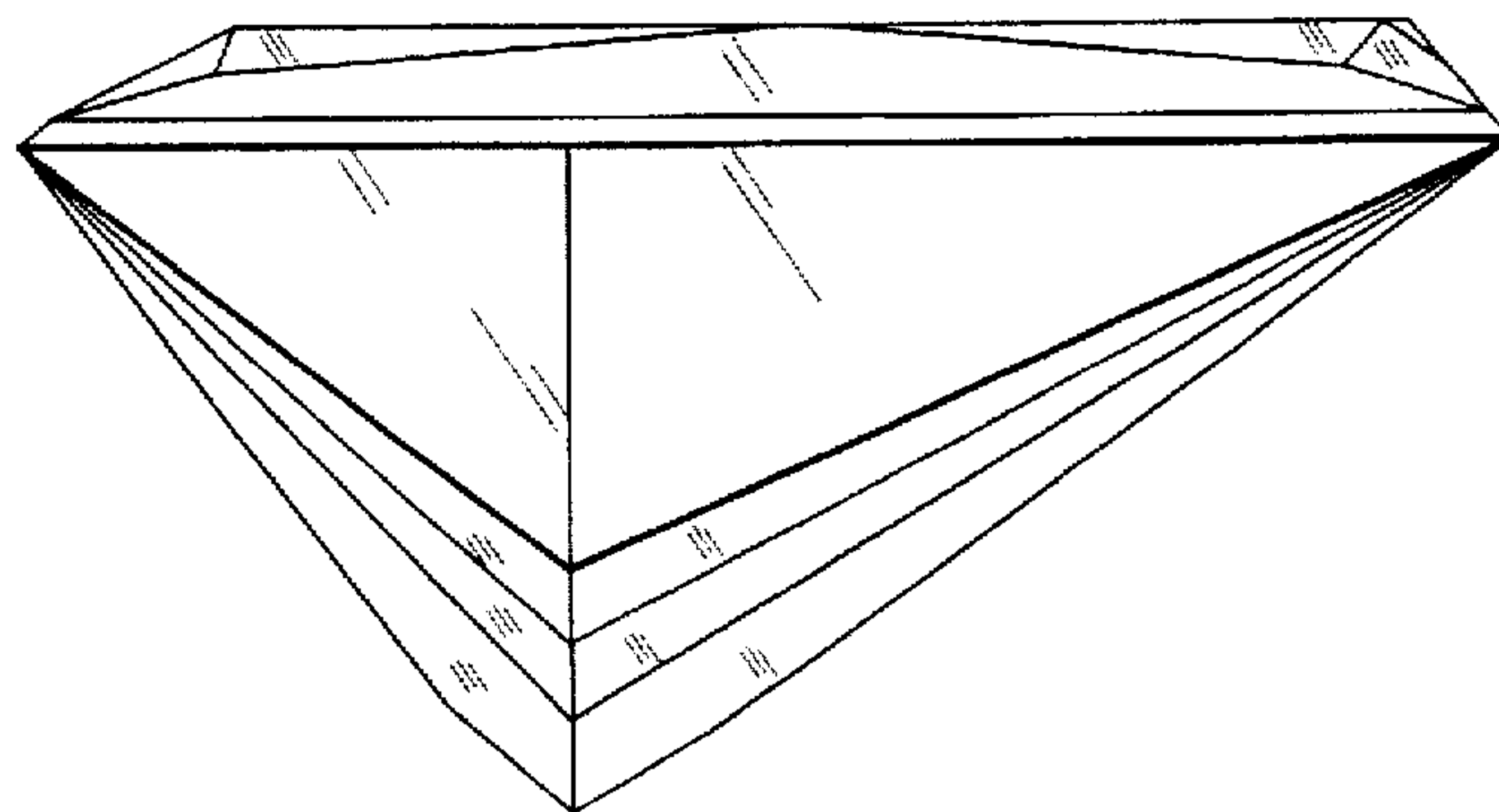


FIG. 10

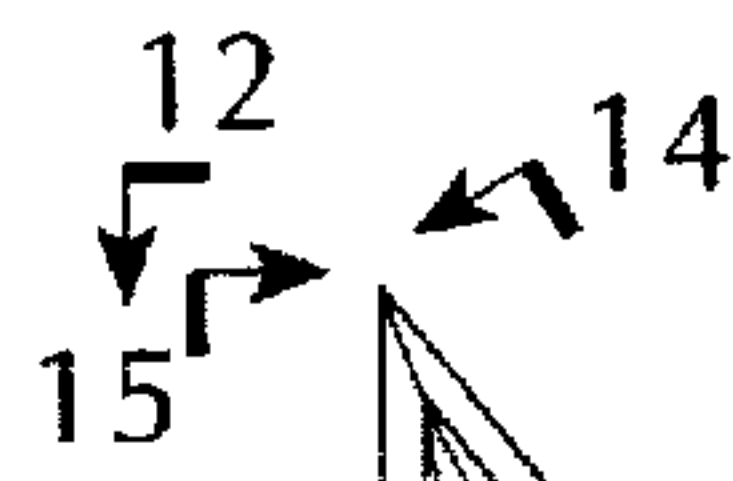
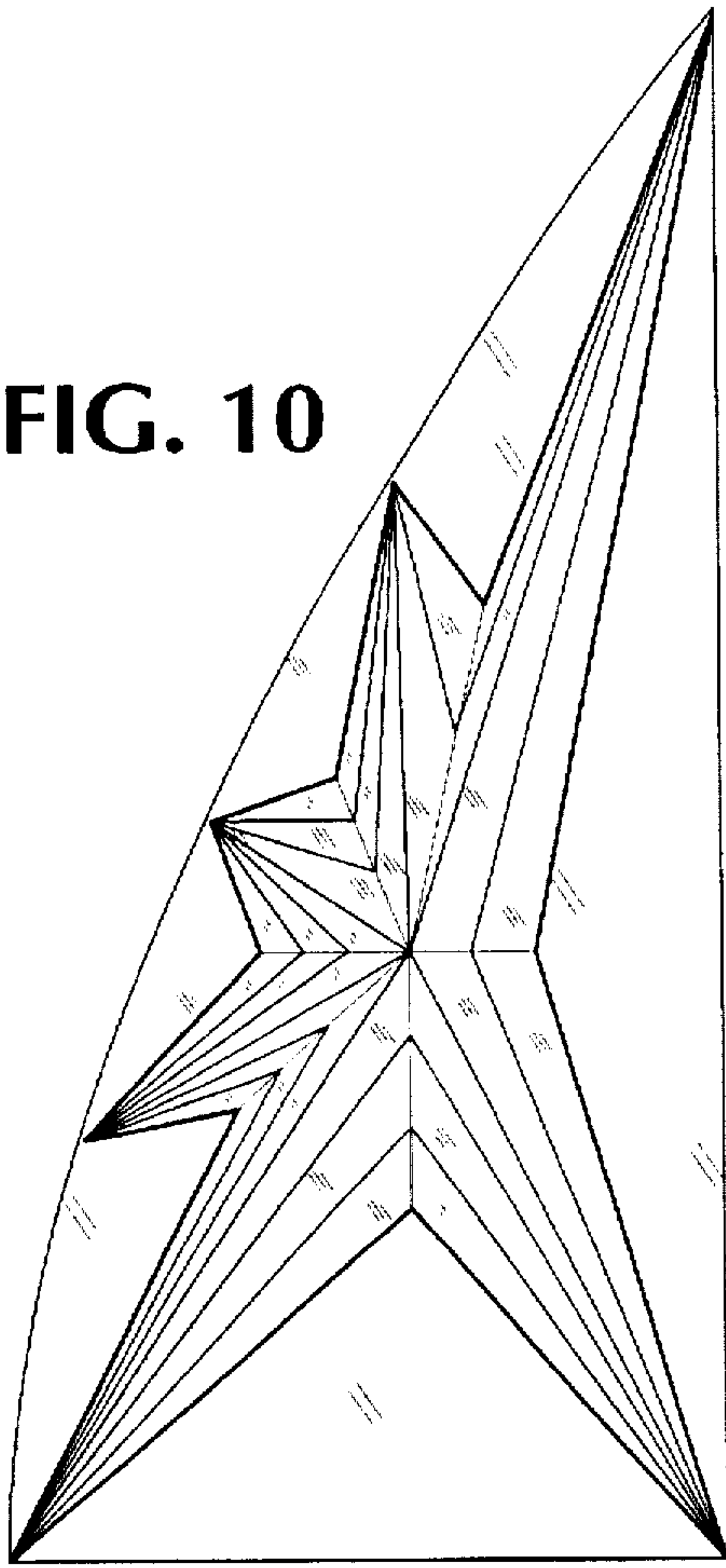


FIG. 11

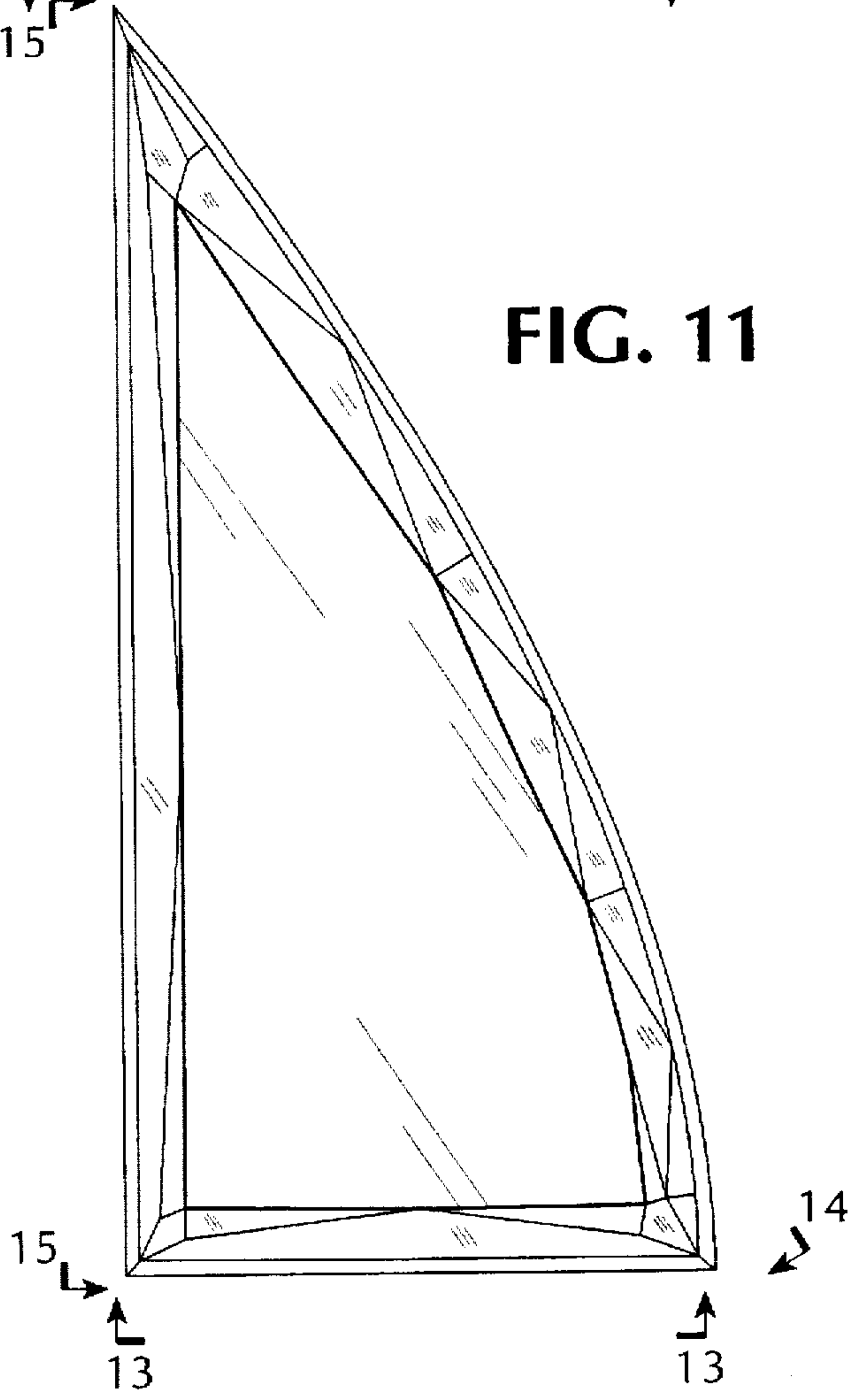


FIG. 12

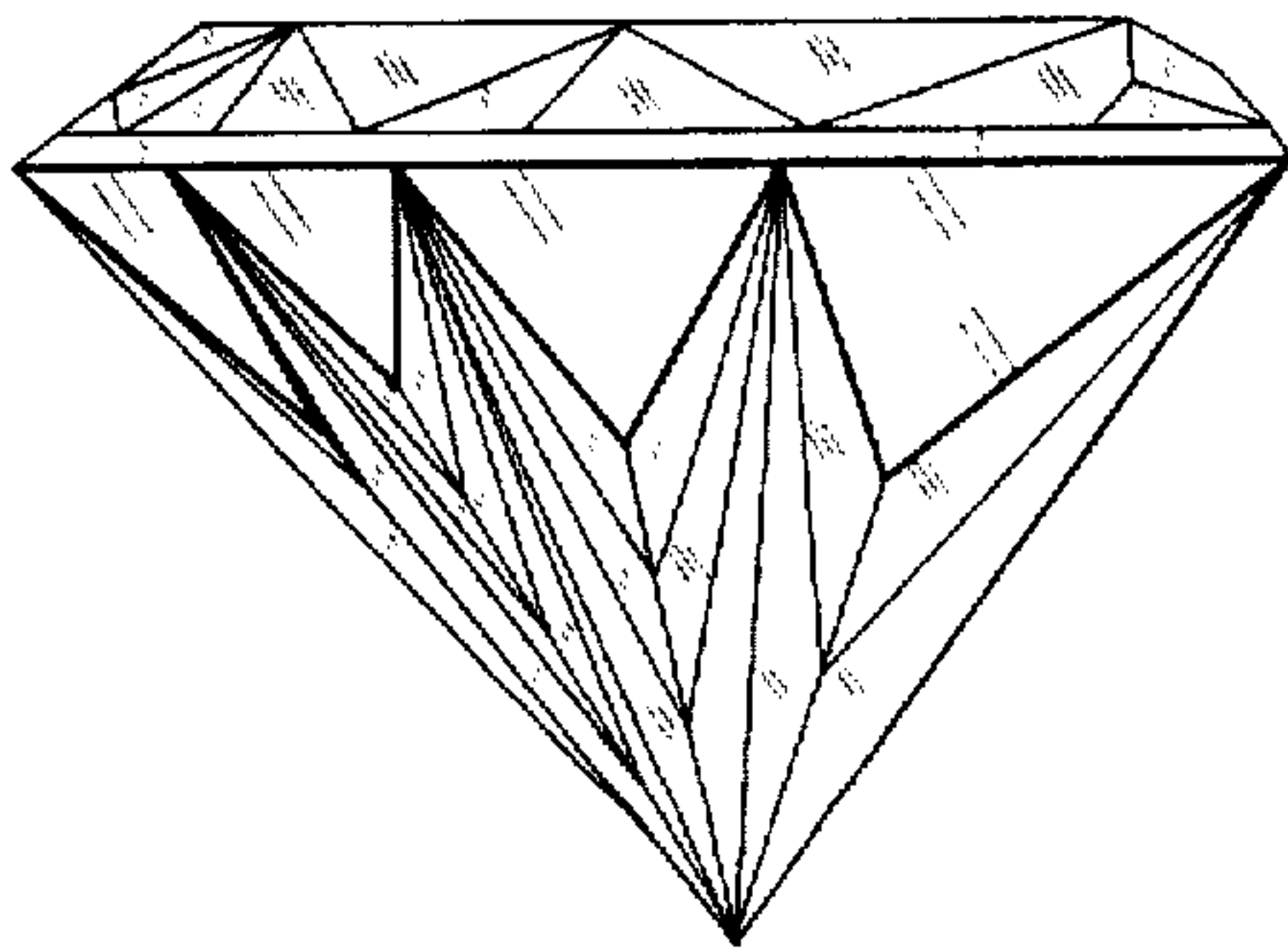


FIG. 13

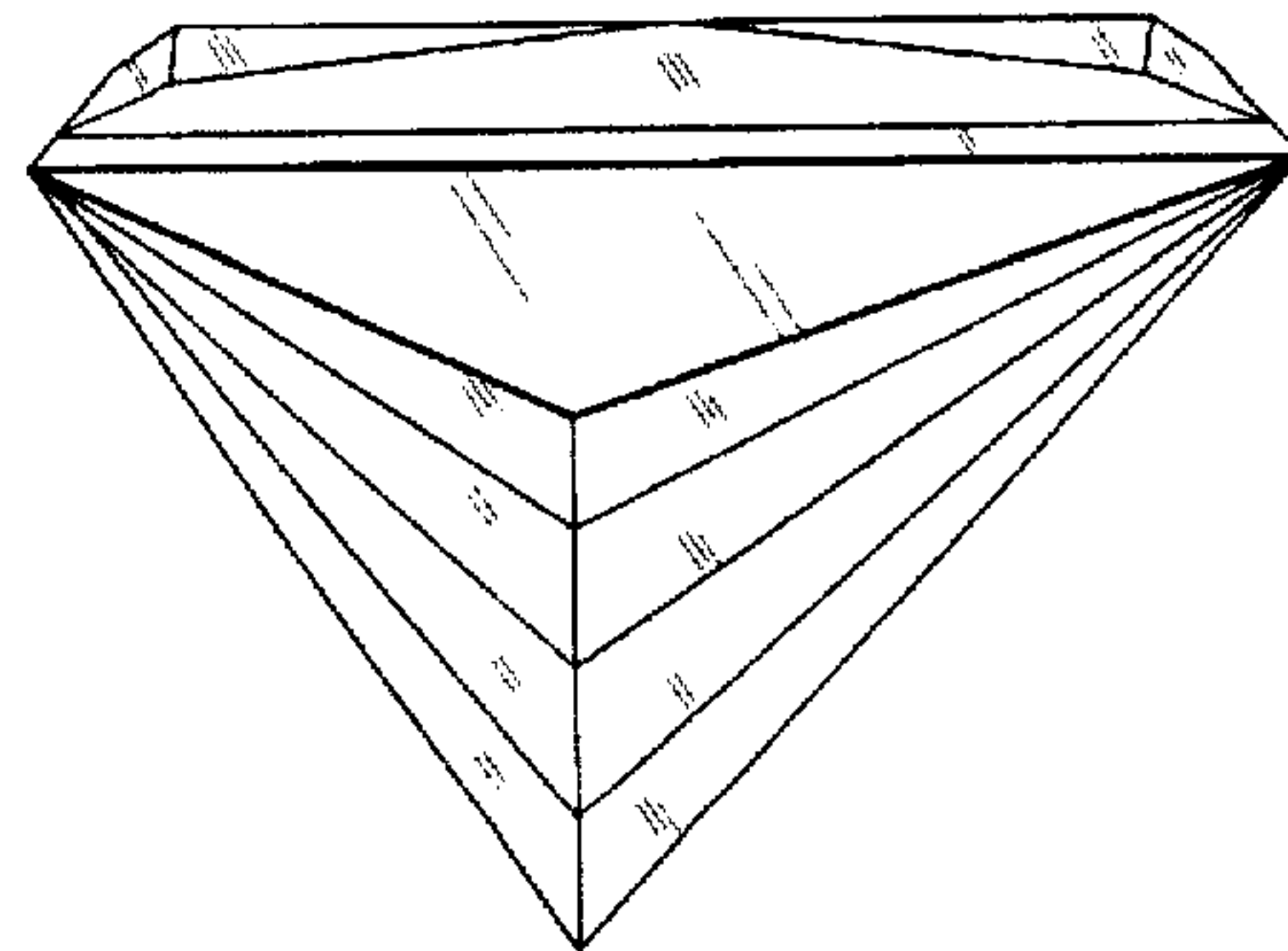


FIG. 14

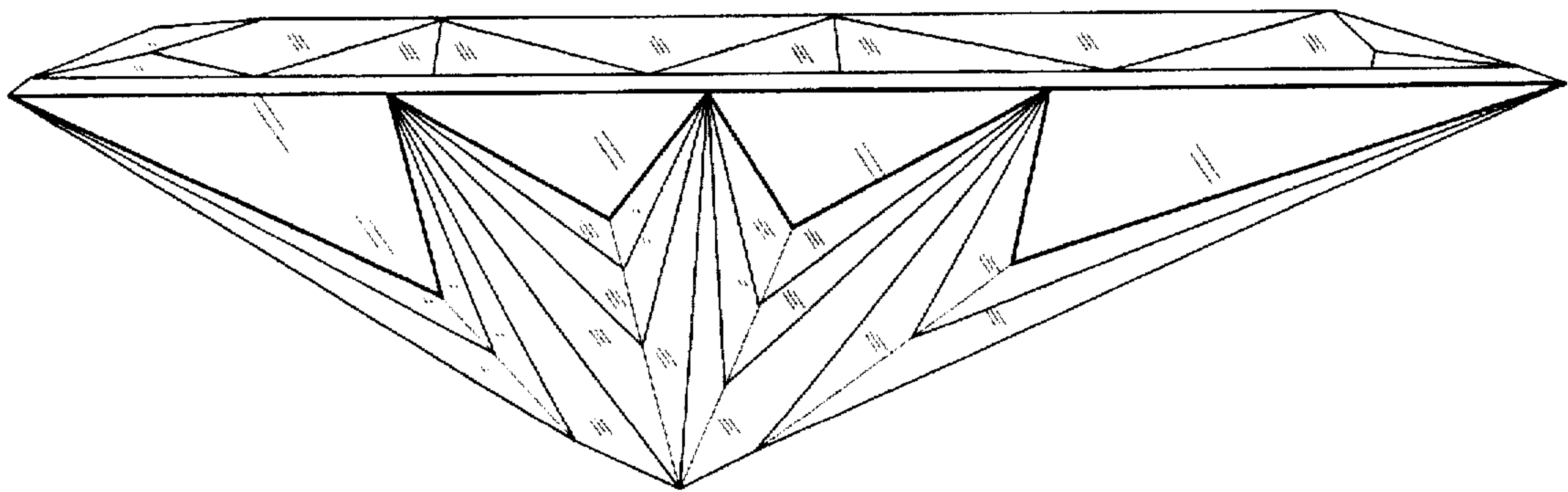


FIG. 15

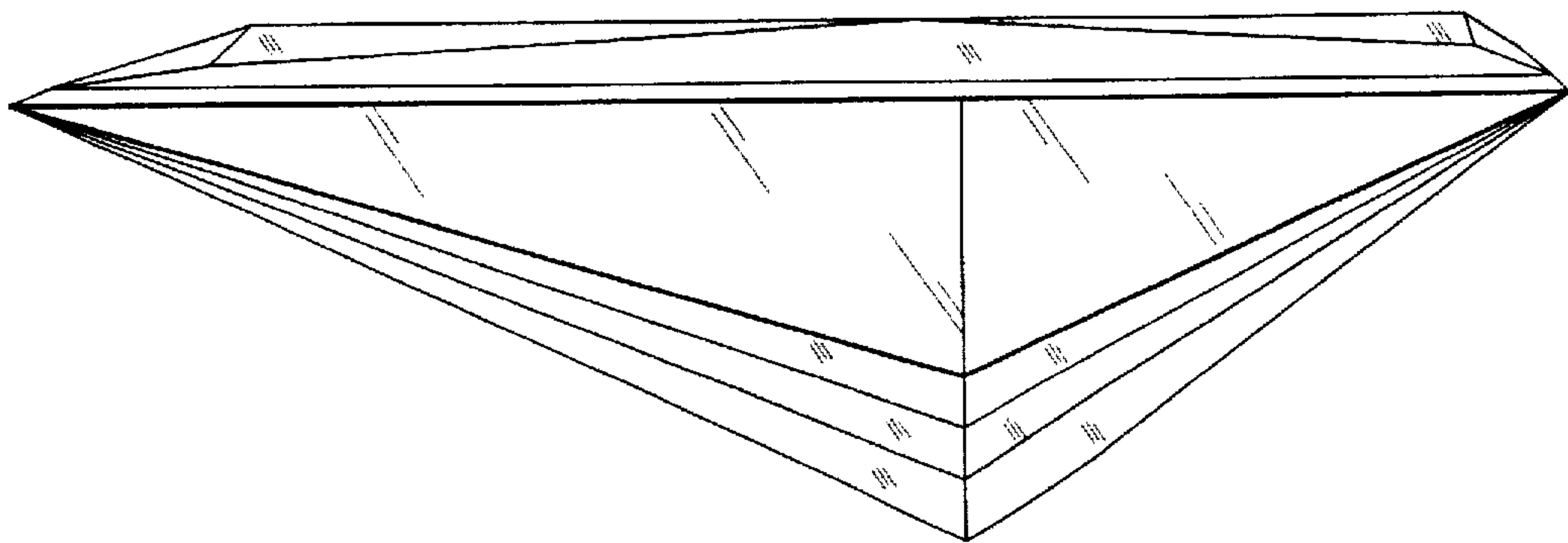


FIG. 17

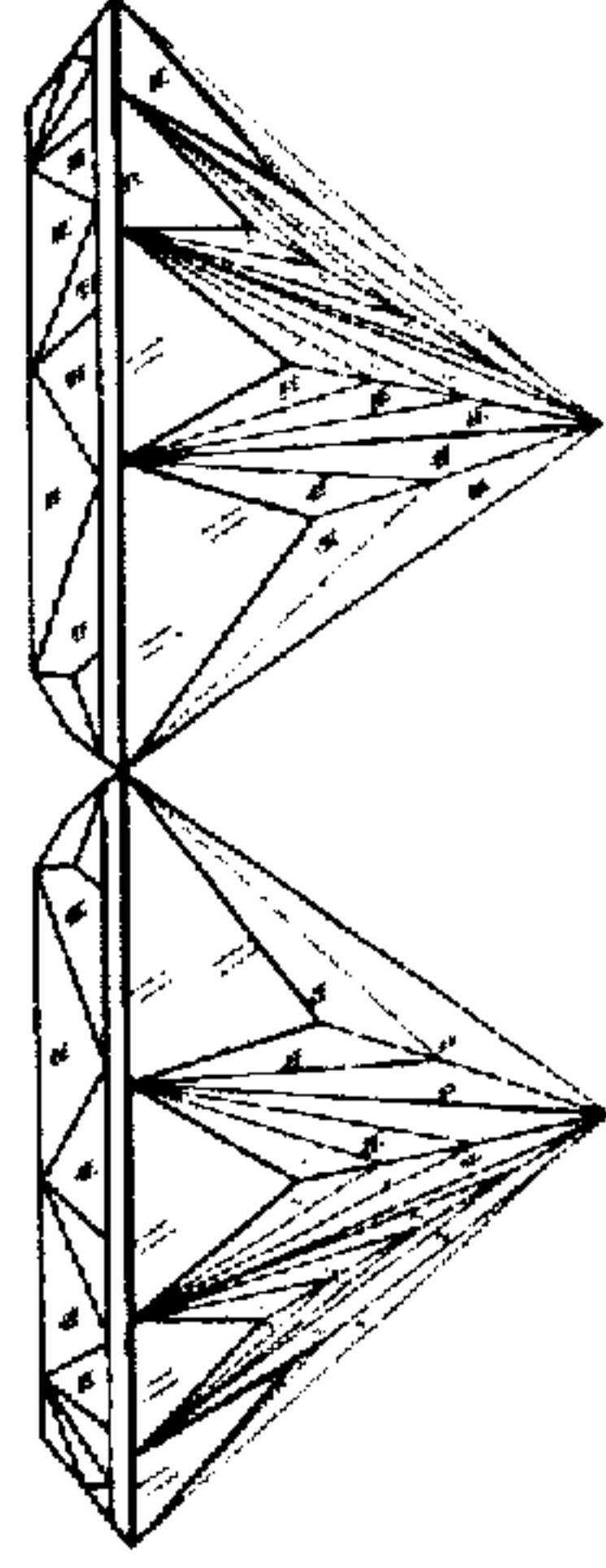


FIG. 16

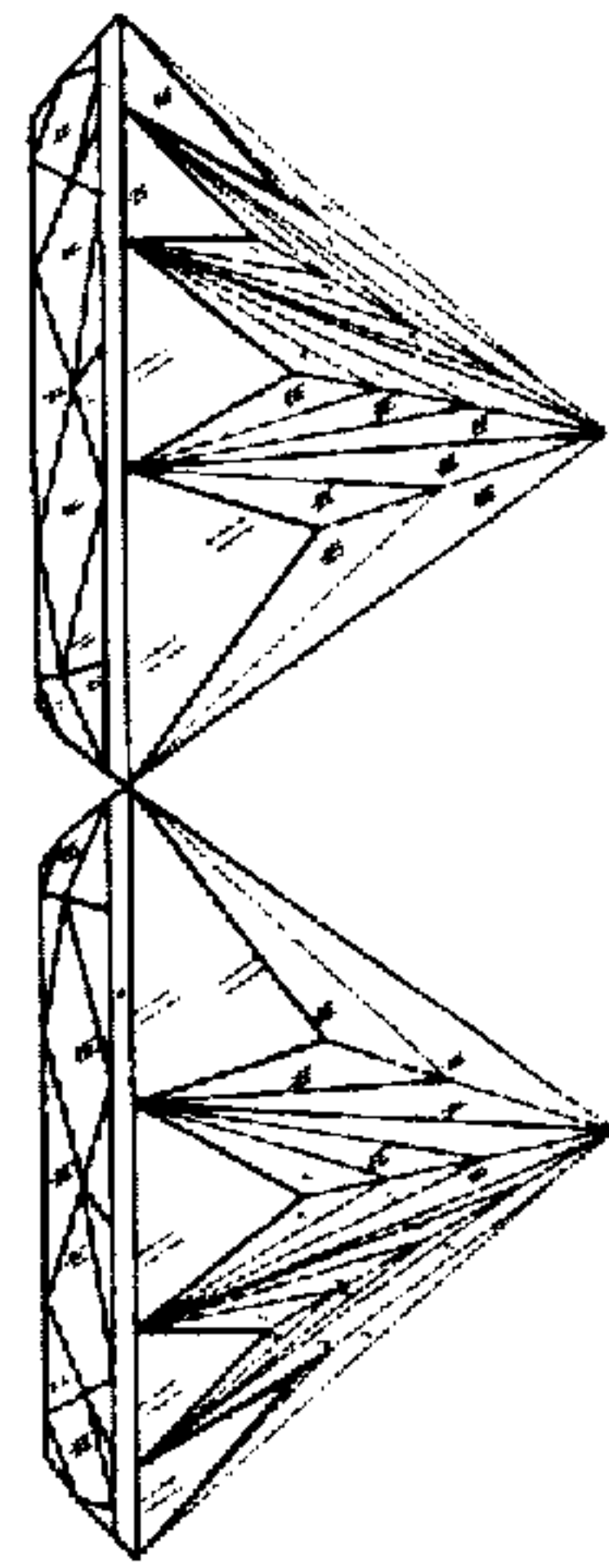
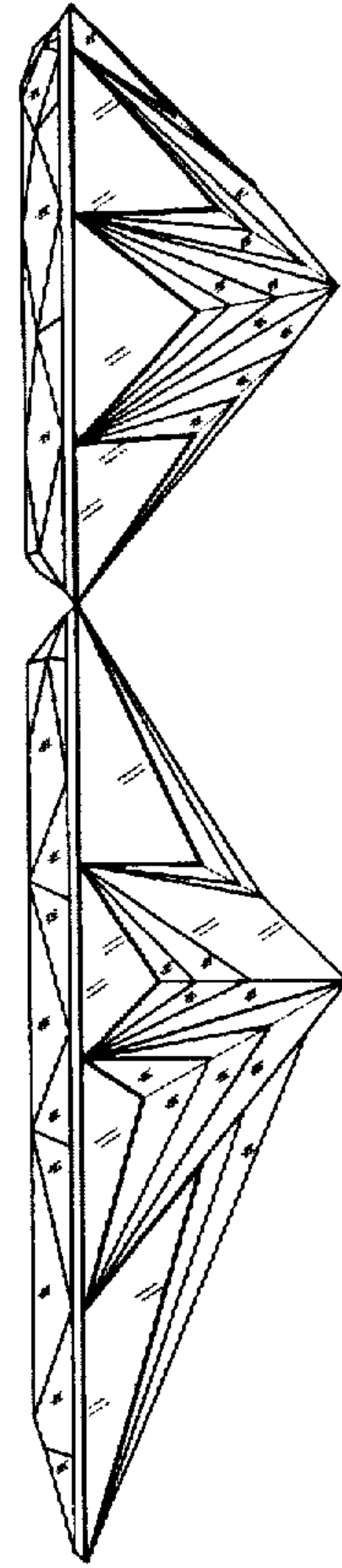


FIG. 18



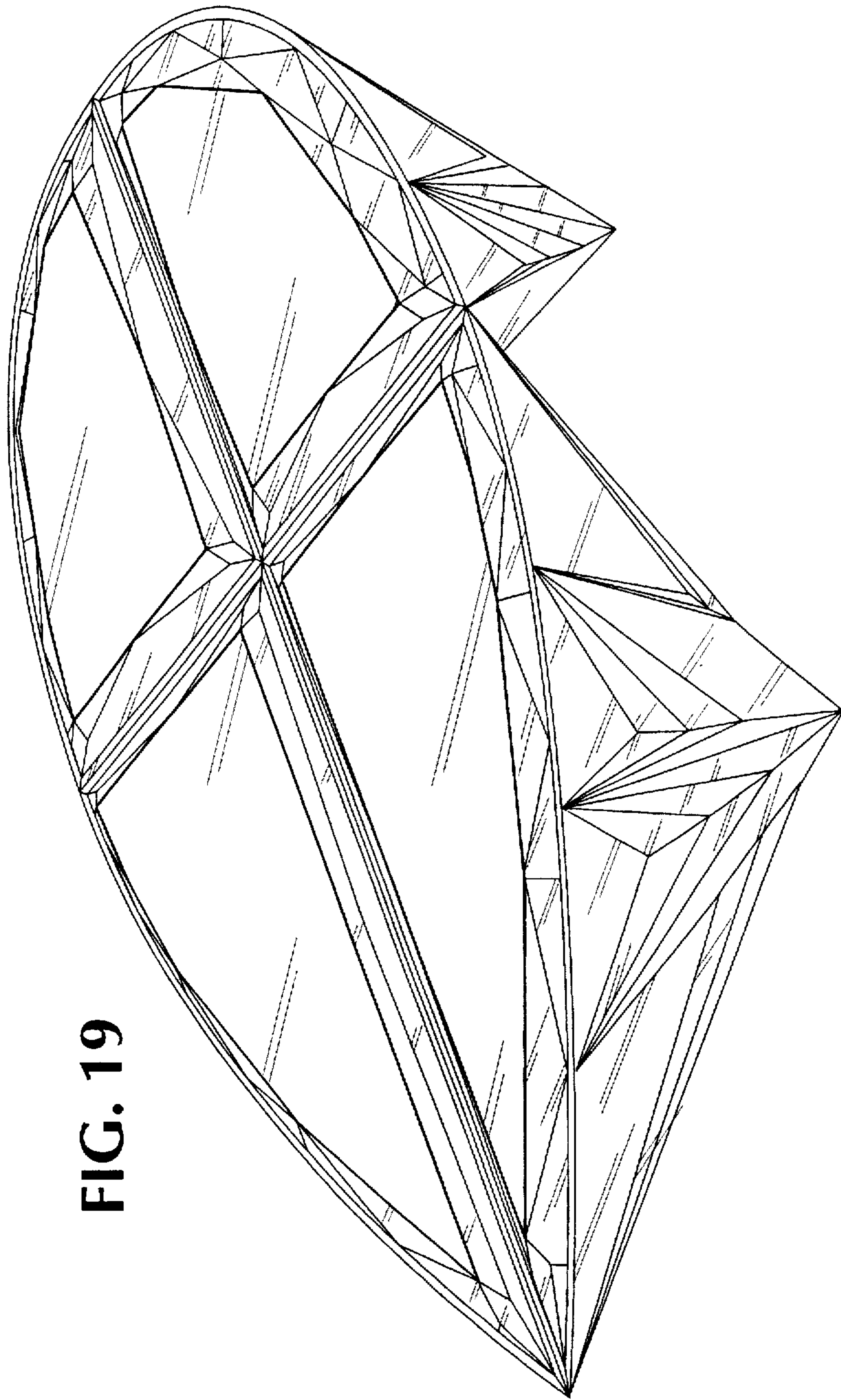


FIG. 19