



US00D392589S

United States Patent [19]
Bachar

[11] **Patent Number: Des. 392,589**
[45] **Date of Patent: **Mar. 24, 1998**

[54] **SEGMENTED OVAL CUT STONE**
[76] **Inventor: Shlomo Bachar, One Irving Pl., New York, N.Y. 10003**
[**] **Term: 14 Years**
[21] **Appl. No.: 67,630**
[22] **Filed: Mar. 10, 1997**
[51] **LOC (6) Cl. 11-01**
[52] **U.S. Cl. D11/90**
[58] **Field of Search D11/6, 35, 40, D11/89, 90; 63/32, 1.1, 2, 15**

[56] **References Cited**
U.S. PATENT DOCUMENTS
D. 62,992 9/1923 Heller D11/90
D. 340,668 10/1993 Schachter D11/90
D. 354,014 1/1995 Cohen D11/90
3,394,692 7/1968 Sirakian D11/90

Primary Examiner—Ralf Seifert

[57] **CLAIM**
The ornamental design for a segmented oval cut stone, as shown and described.

DESCRIPTION

FIG. 1 is a top plan view of one segment of a segmented oval

cut stone showing my new design, the position of the remaining three segments is shown in dot-dash lines;
FIG. 2 is a top plan view showing two segments, the remaining two segments are shown in dot-dash lines;
FIG. 3 is a top plan view;
FIG. 4 is an enlarge bottom plan view of one segment;
FIG. 5 is an enlarged top plan view of FIG. 1;
FIG. 6 is a side elevational view, as viewed across the line 6—6 of FIG. 5;
FIG. 7 is a bottom side elevational view, as viewed across the line 7—7 of FIG. 5;
FIG. 8 is a right side elevational view, as viewed across the line 8—8 of FIG. 5;
FIG. 9 is a left side elevational view, as viewed across the line 9—9 of FIG. 5;
FIG. 10 is a bottom plan view of FIG. 3;
FIG. 11 is a top side elevational view, as viewed across the line 11—11 of FIG. 3;
FIG. 12 is a right side elevational view as viewed across the lines 12—12 of FIG. 3; and,
FIG. 13 is a top perspective view of FIG. 3.

1 Claim, 5 Drawing Sheets

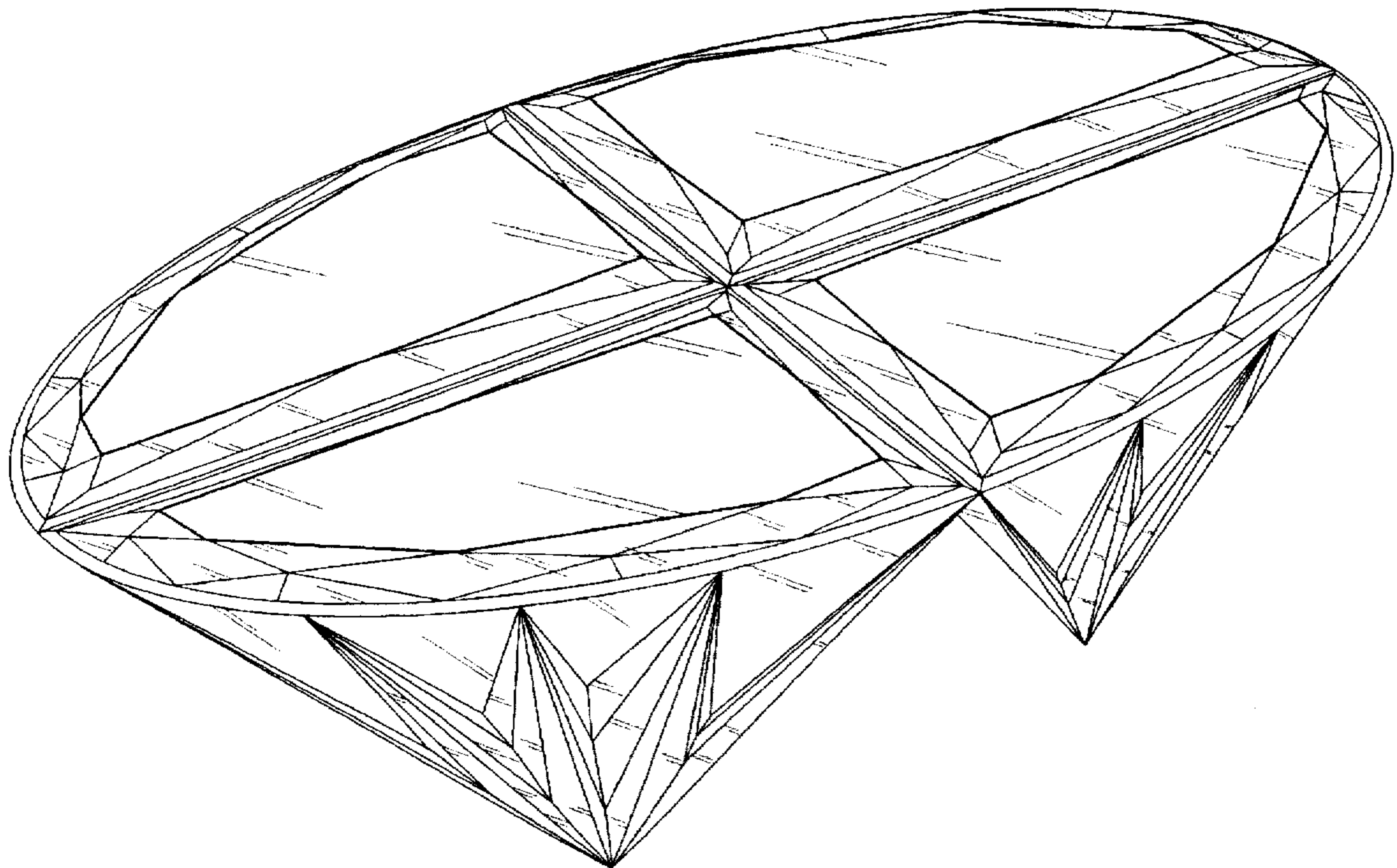


FIG. 1

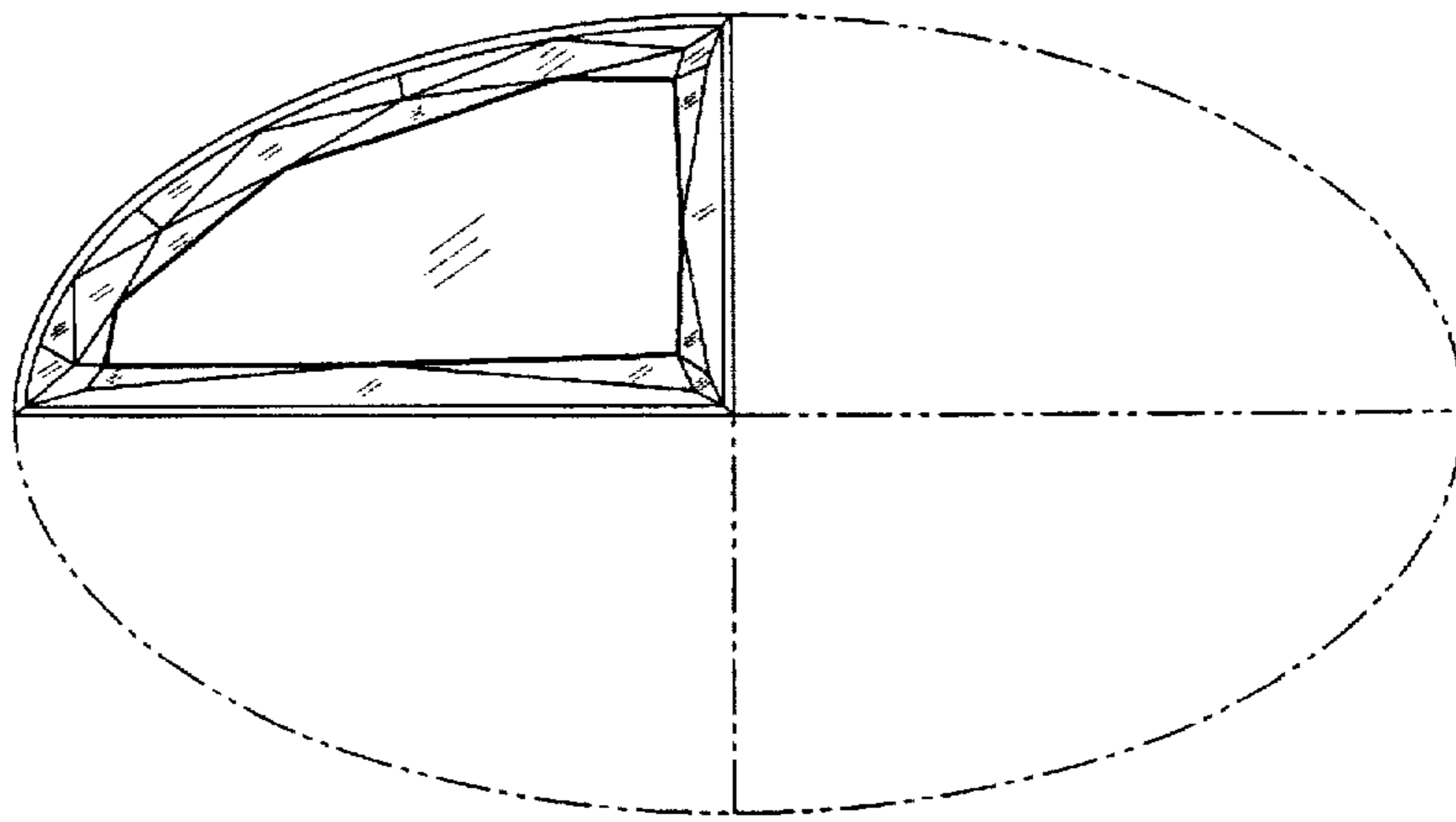


FIG. 2

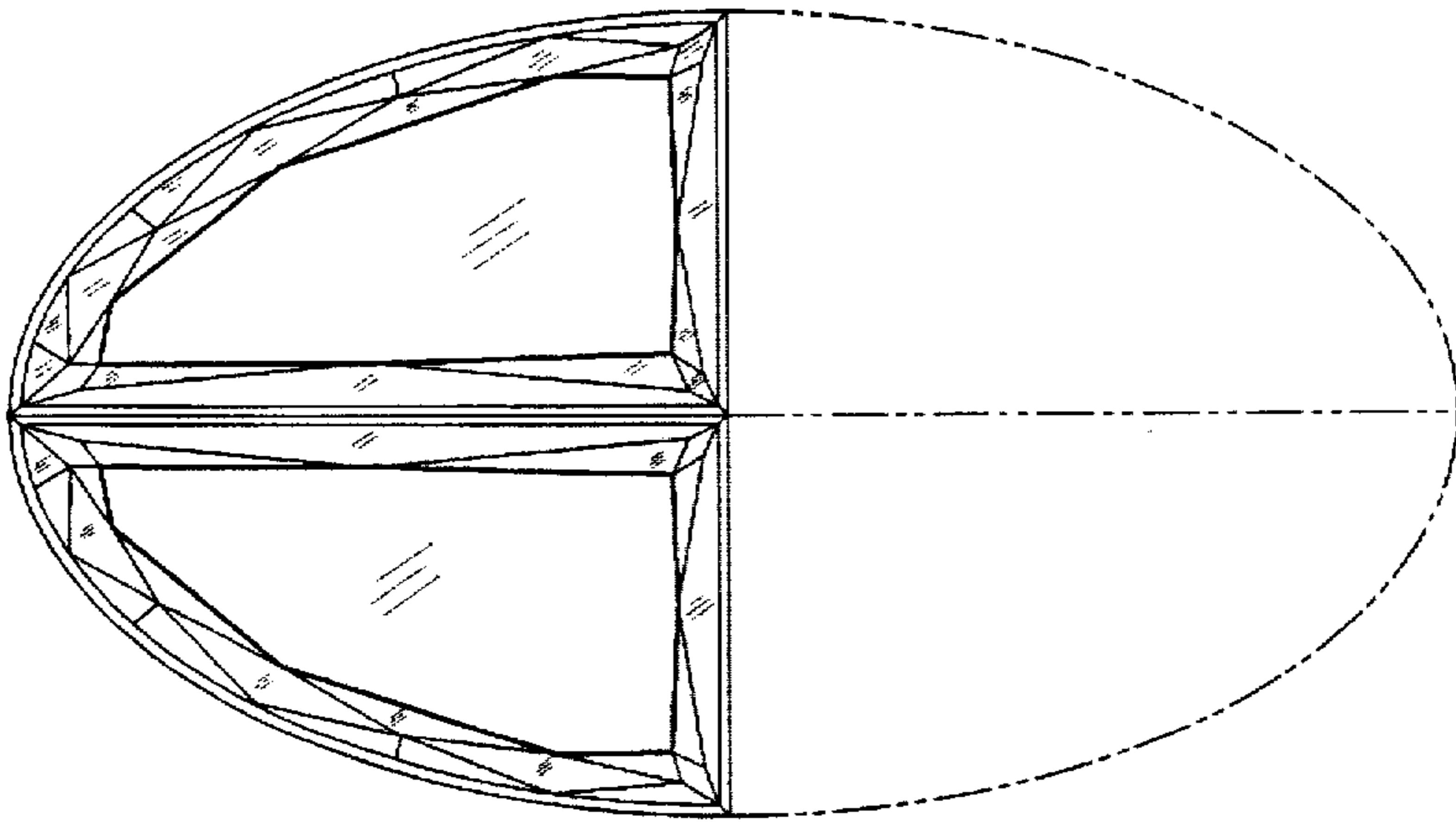


FIG. 3

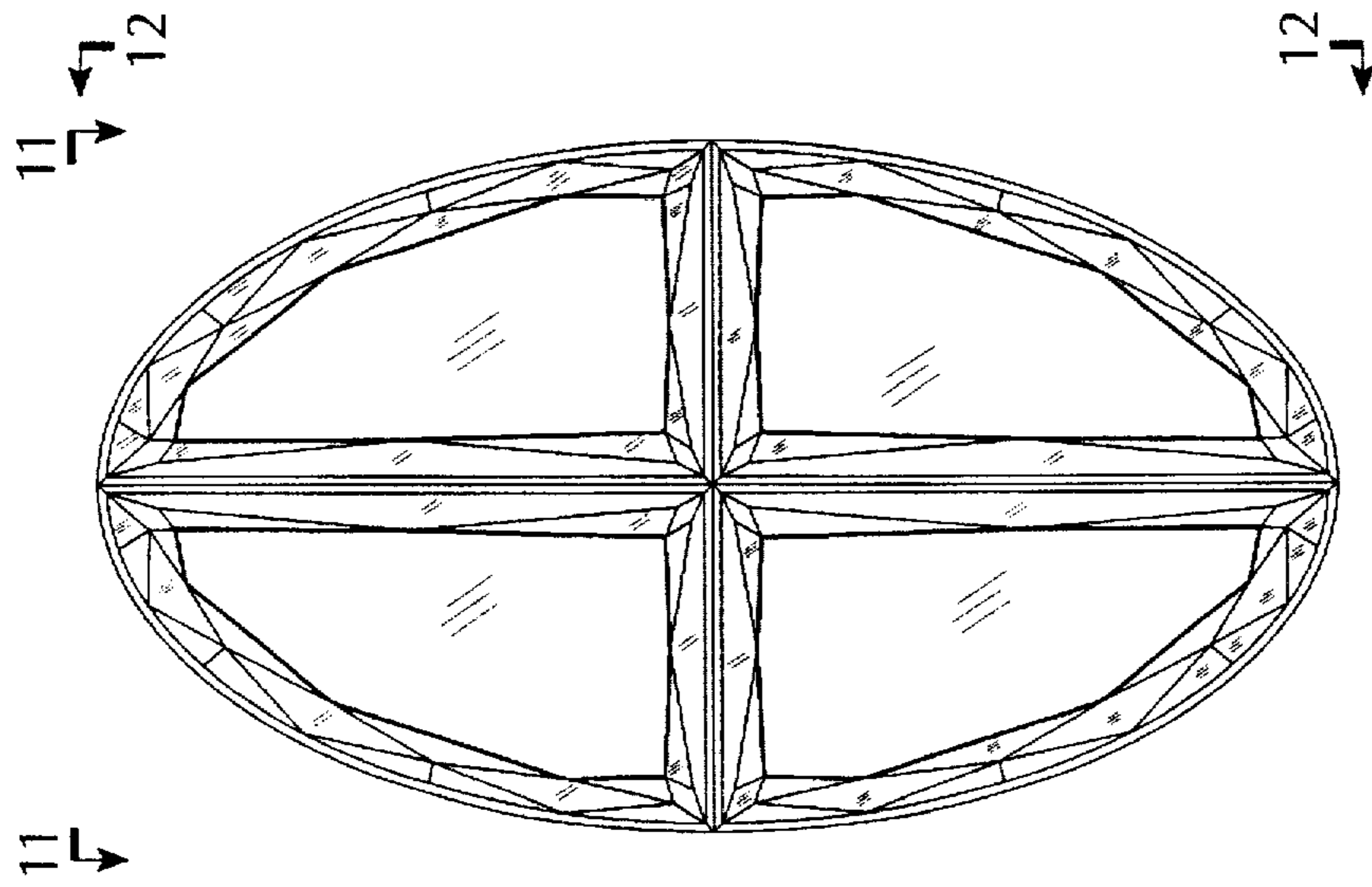


FIG. 4

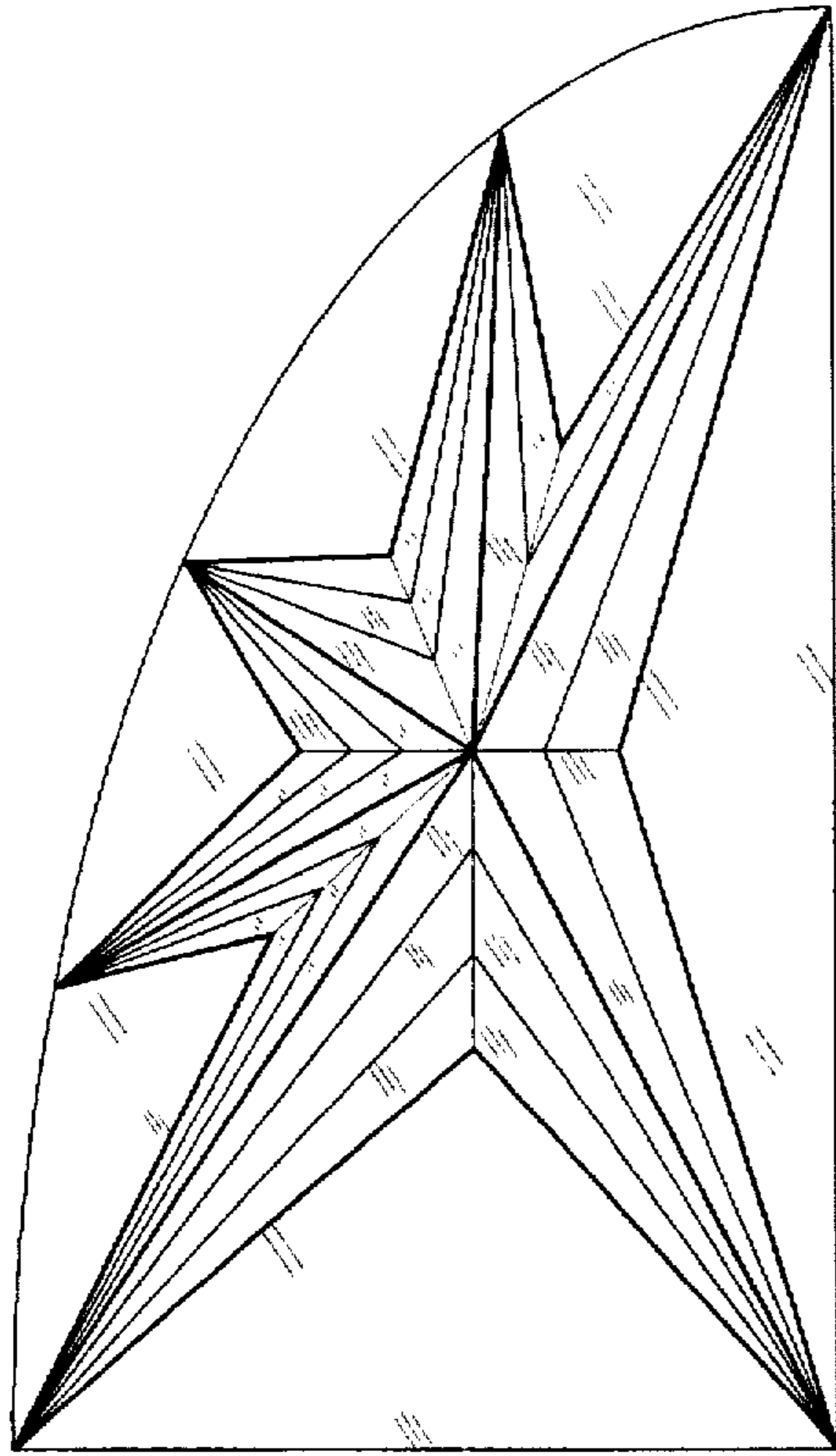


FIG. 5

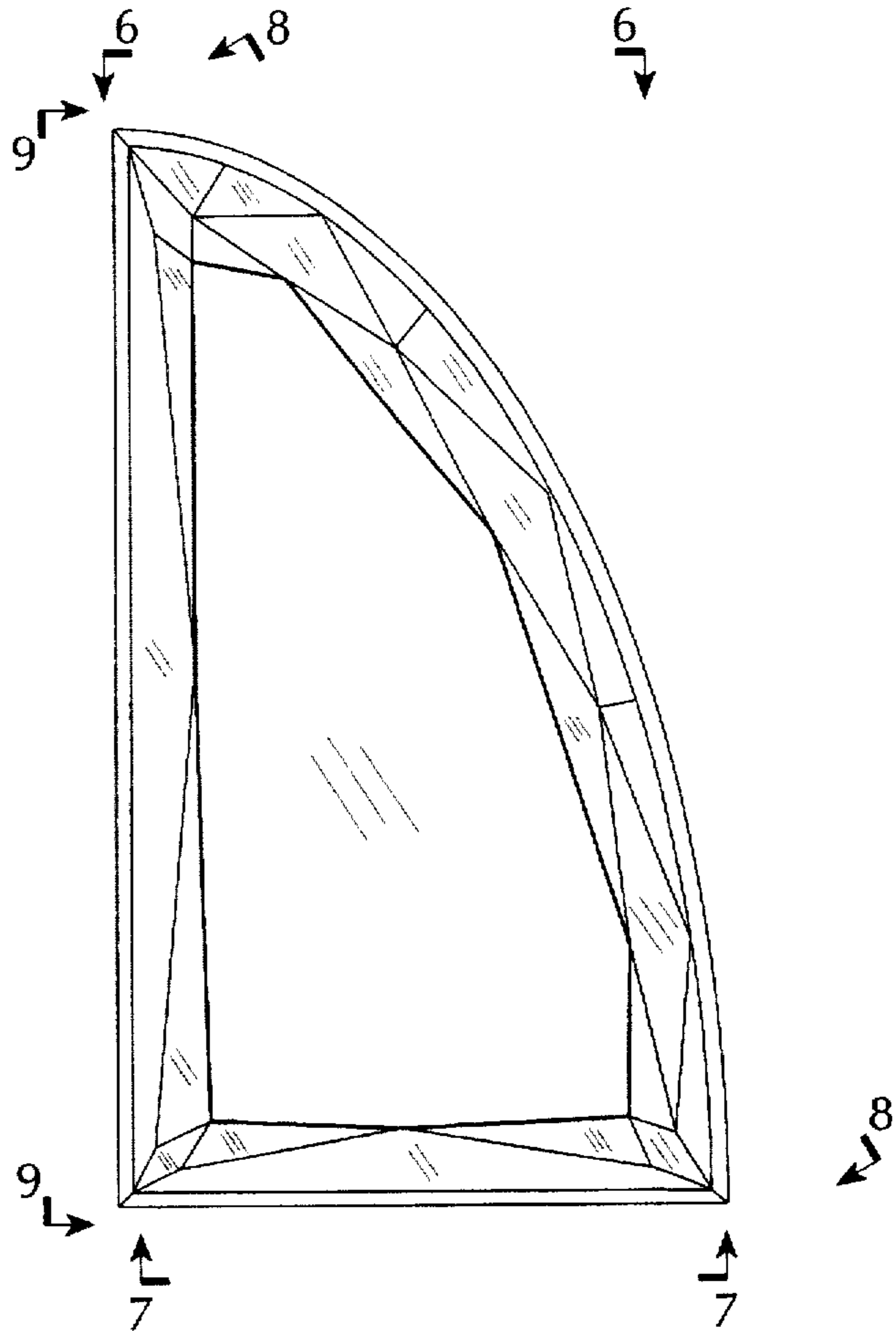


FIG. 6

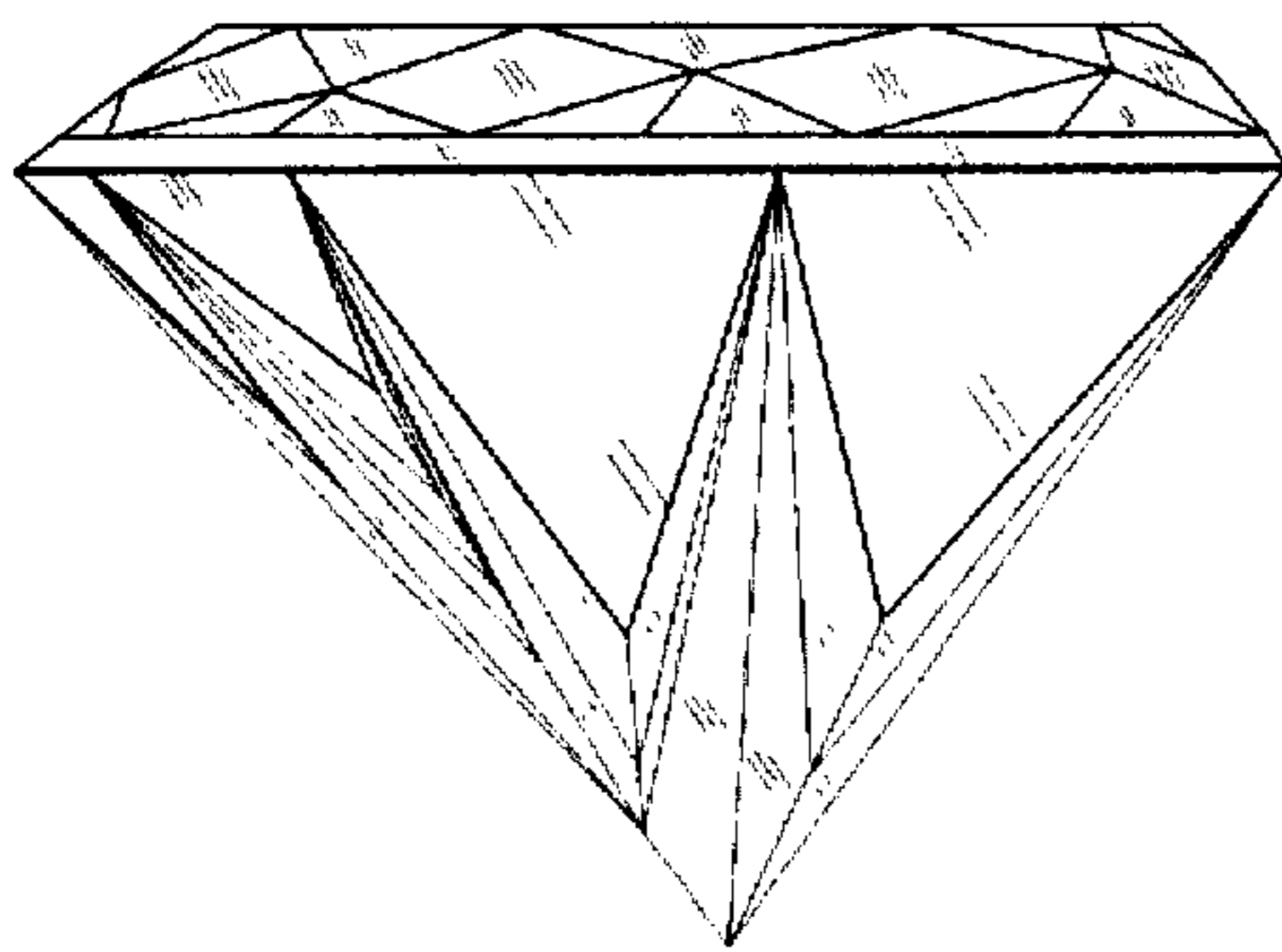


FIG. 7

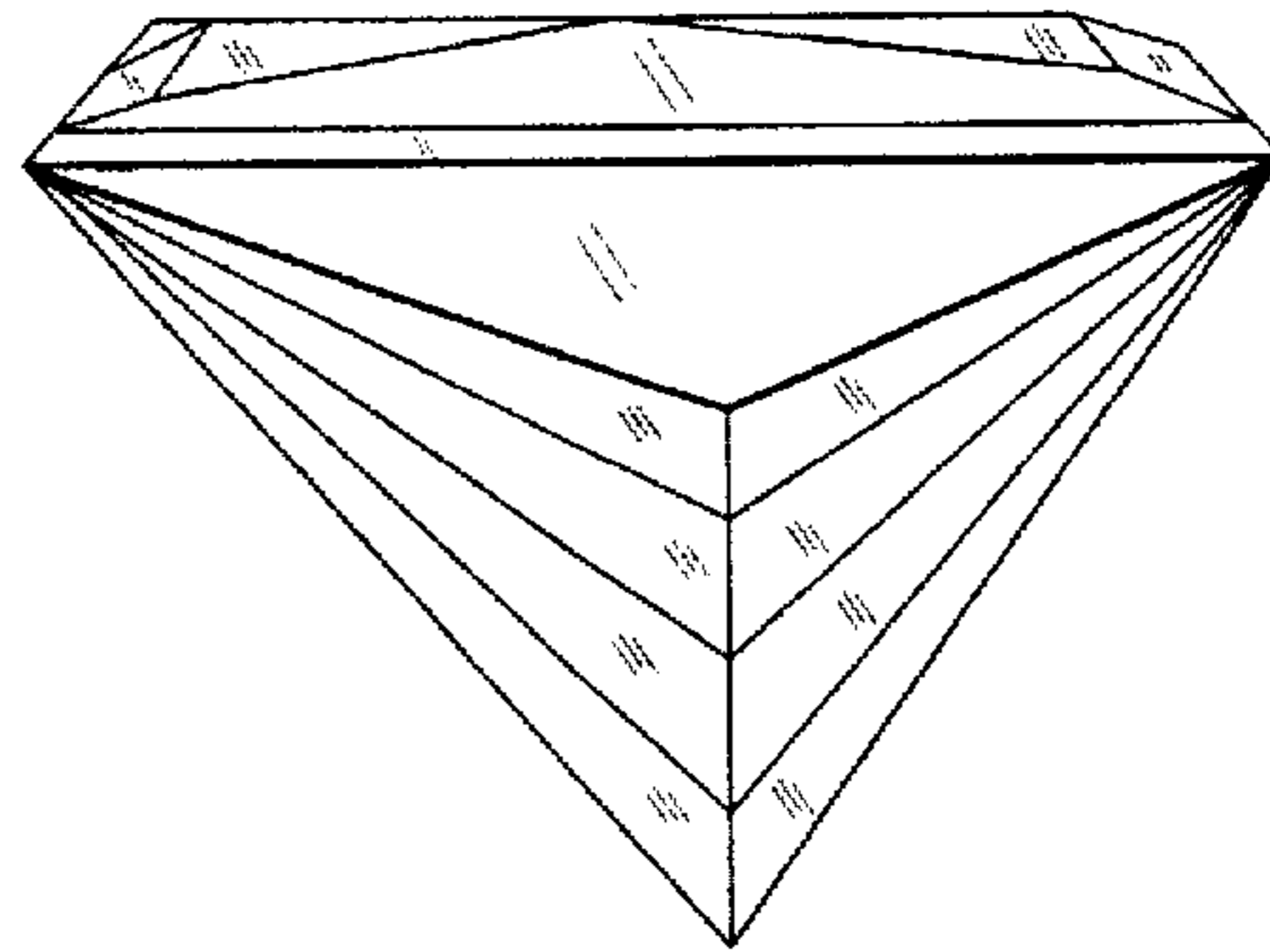


FIG. 8

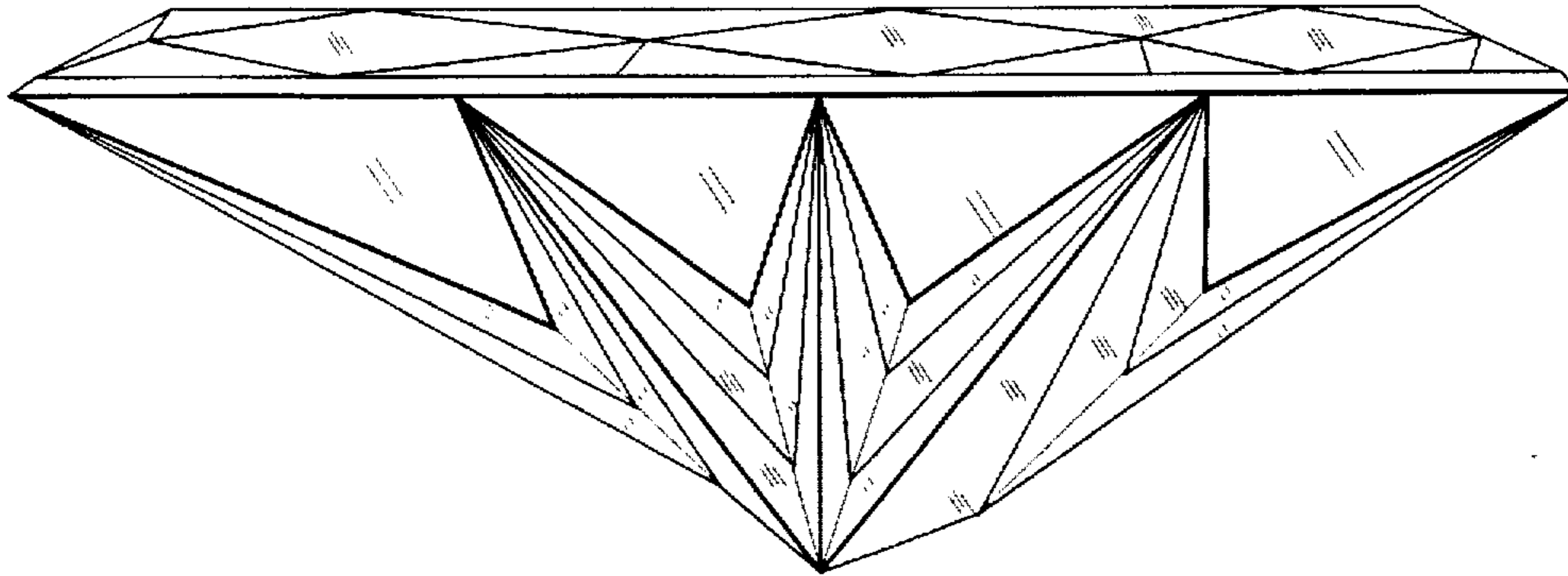


FIG. 9

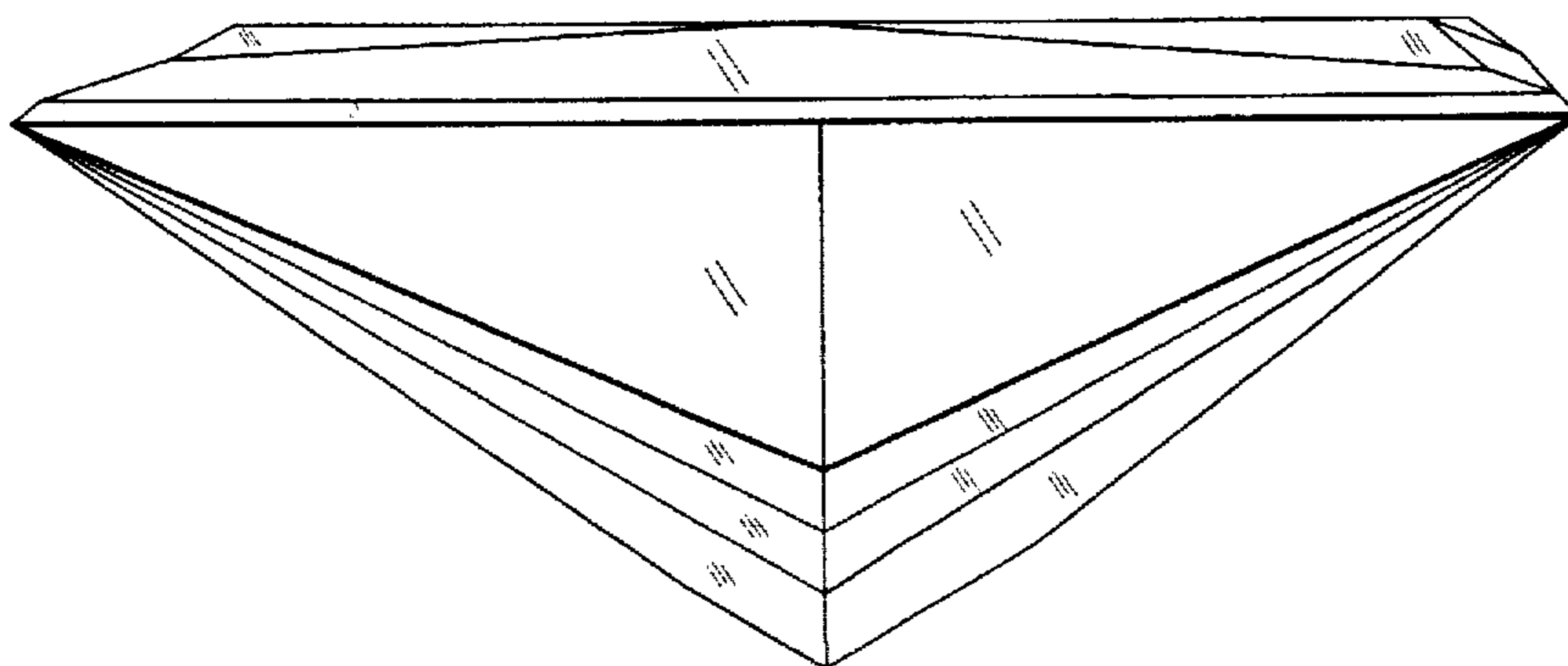


FIG. 11

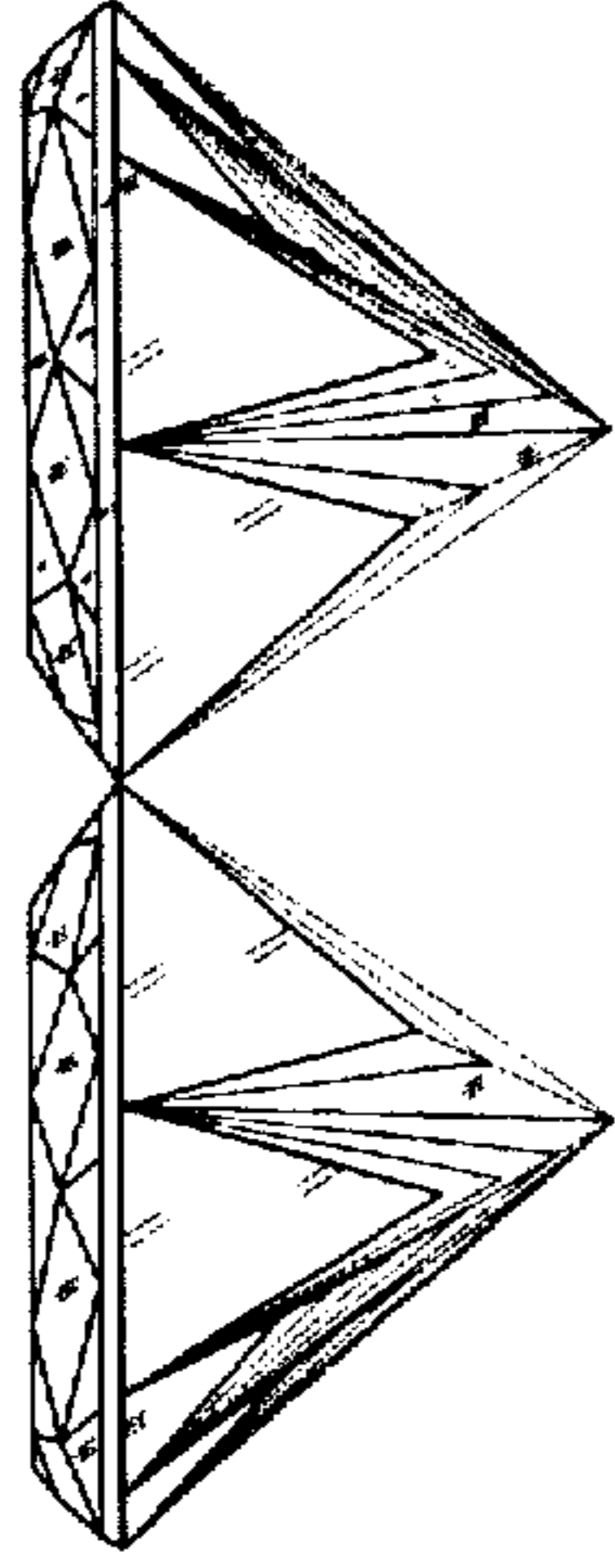


FIG. 12

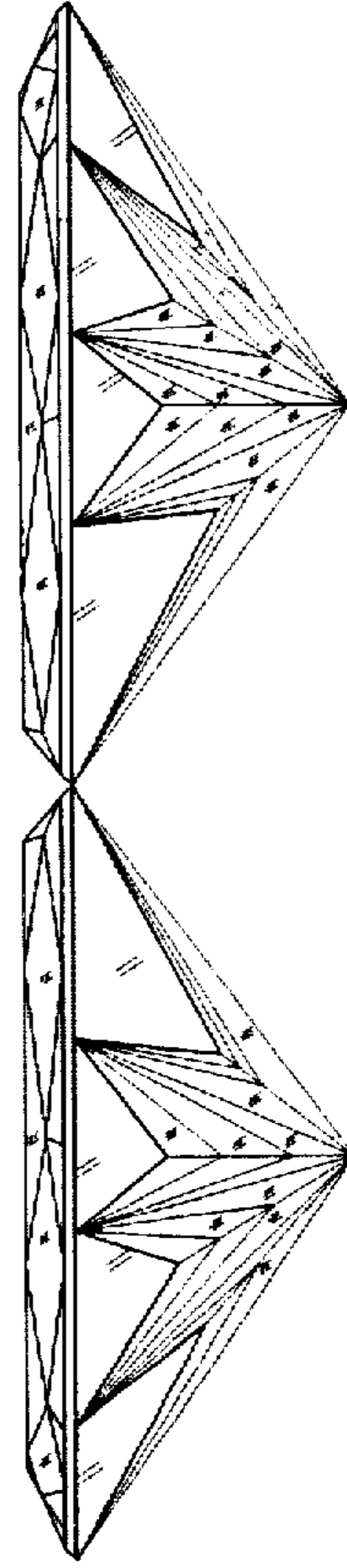


FIG. 10

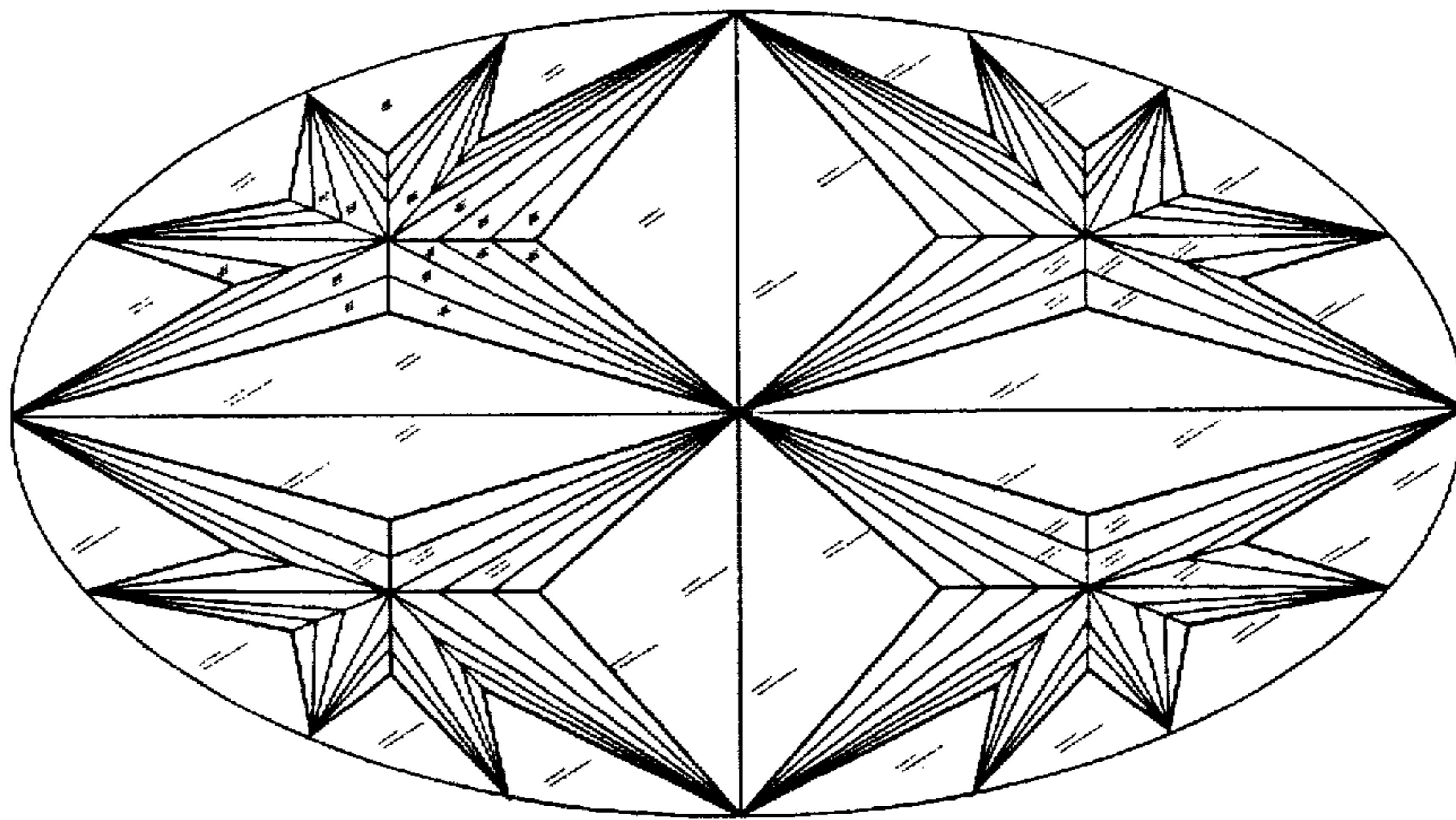


FIG. 13

