



US00D392585S

United States Patent [19]

Kohl

[11] **Patent Number: Des. 392,585**

[45] **Date of Patent: **Mar. 24, 1998**

[54] **TREASURE RING**

[76] **Inventor: Tammy Kohl, 312 N. Carpenter, Chicago, Ill. 60607**

[**] **Term: 14 Years**

[21] **Appl. No.: 48,661**

[22] **Filed: Jan. 11, 1996**

[51] **LOC (6) Cl. 11-01**

[52] **U.S. Cl. D11/26**

[58] **Field of Search D11/1-10, 26-30, D11/34-39; 63/15-15.8**

[56] **References Cited**

U.S. PATENT DOCUMENTS

D. 203,551	1/1966	Tranfield	D11/26
D. 331,724	12/1992	Klein	D11/26
530,522	12/1894	Hattenback	63/15.3 X
1,936,604	11/1933	Moldenhauer	63/15
2,048,878	7/1936	Moldenhauer	63/15
4,989,420	2/1991	Reinhold et al.	63/15

Primary Examiner—Doris V. Coles
Assistant Examiner—Catherine R. Oliver

Attorney, Agent, or Firm—Gardner, Carton & Douglas

[57] **CLAIM**

The ornamental design for a treasure ring, as shown and described.

DESCRIPTION

FIG. 1 is a perspective view of the treasure ring showing my new design;
 FIG. 2 is a top plan view thereof;
 FIG. 3 is a front elevation view thereof;
 FIG. 4 is a rear elevation view thereof;
 FIG. 5 is a side elevation view with the opposite side being a mirror image thereof;
 FIG. 6 is a bottom plan view of the ring;
 FIG. 7 is a perspective view thereof, shown in an open position;
 FIG. 8 is a perspective view of the second embodiment, similar to the first embodiment, with the exception of the inset gems;
 FIG. 9 is a perspective view of the third embodiment, similar to the first embodiment, with the exception of the inscription; and,
 FIG. 10 is a top plan view of the second embodiment.

1 Claim, 5 Drawing Sheets

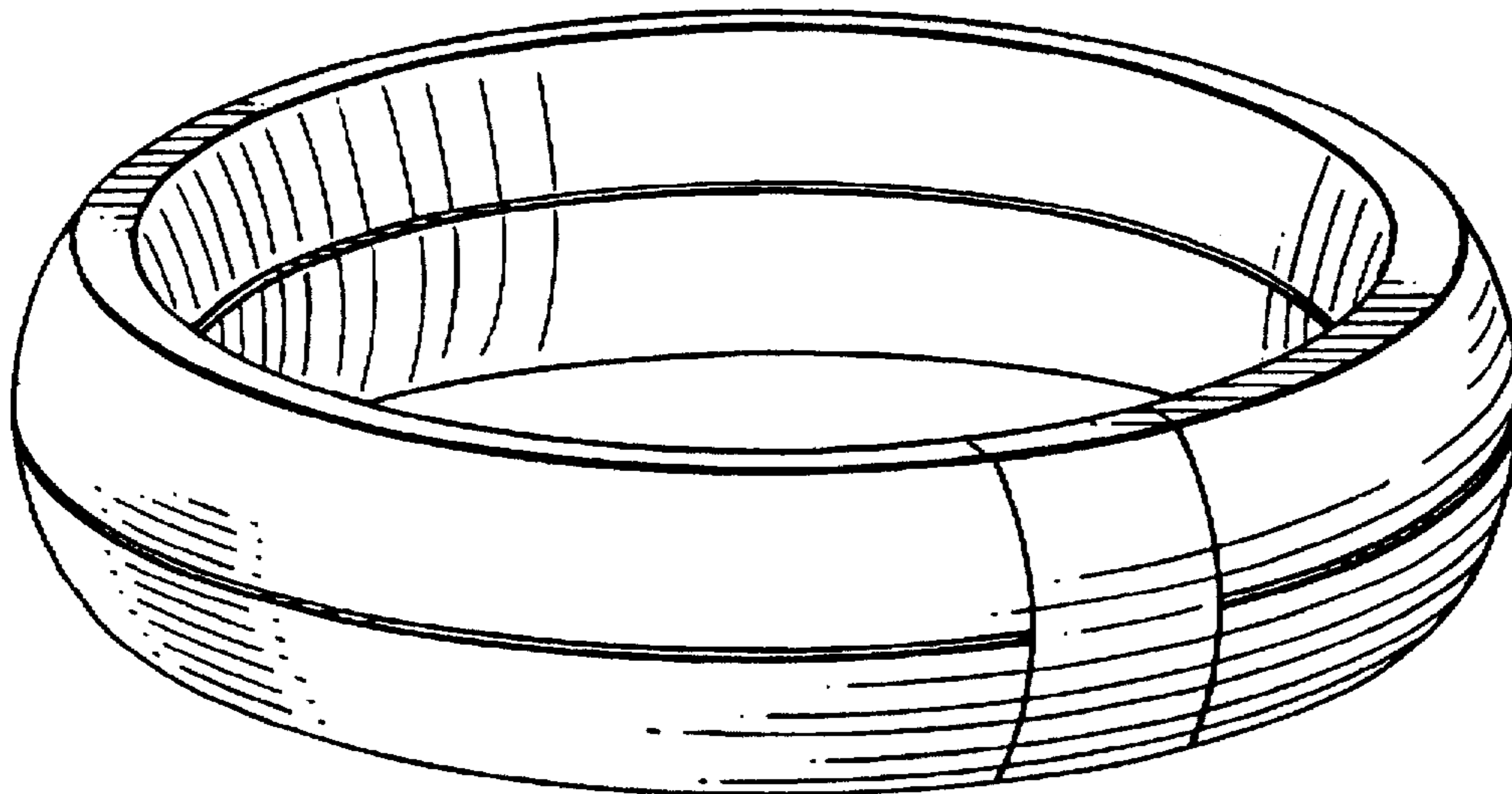


Fig. 1

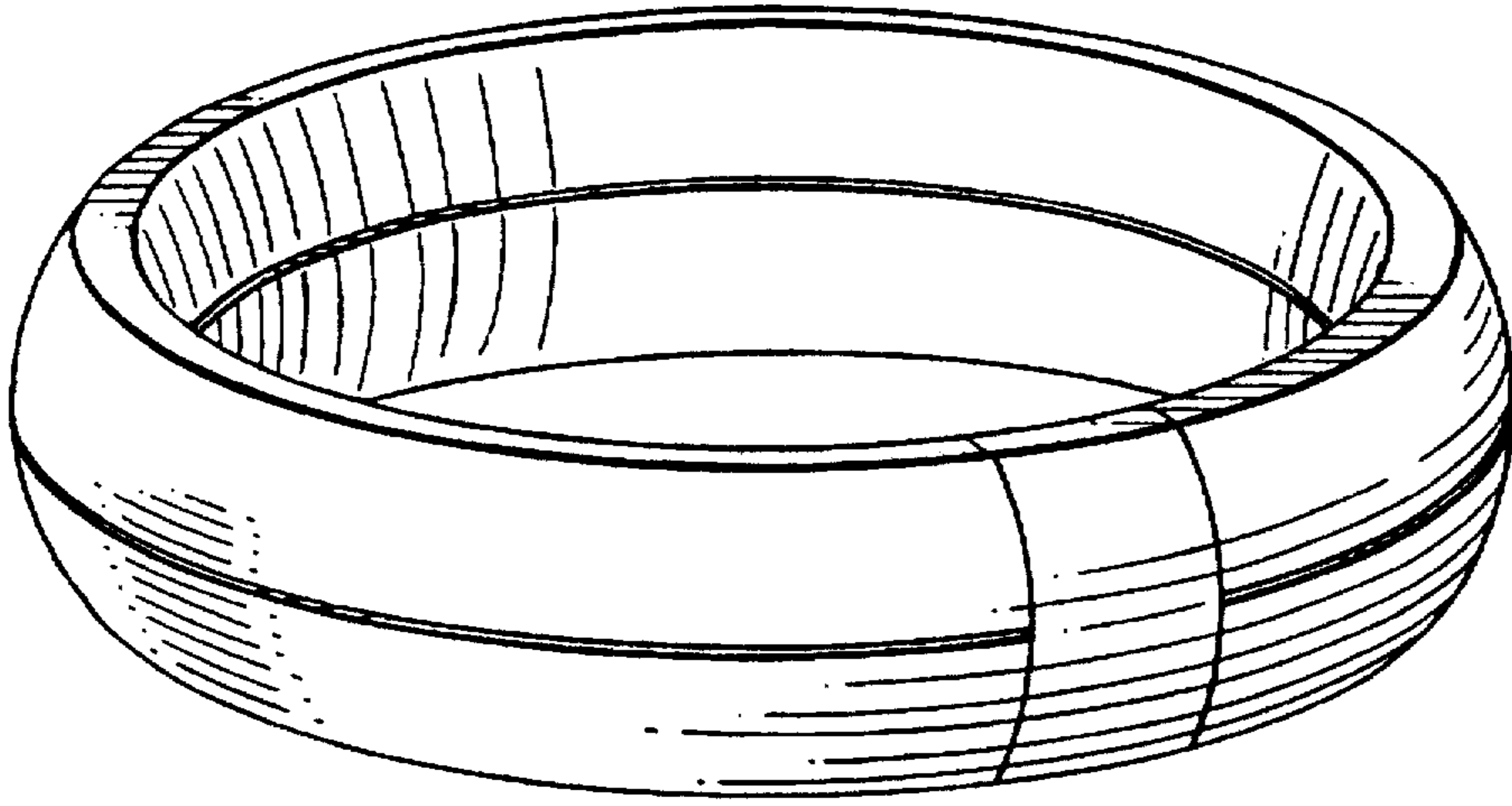


Fig. 2

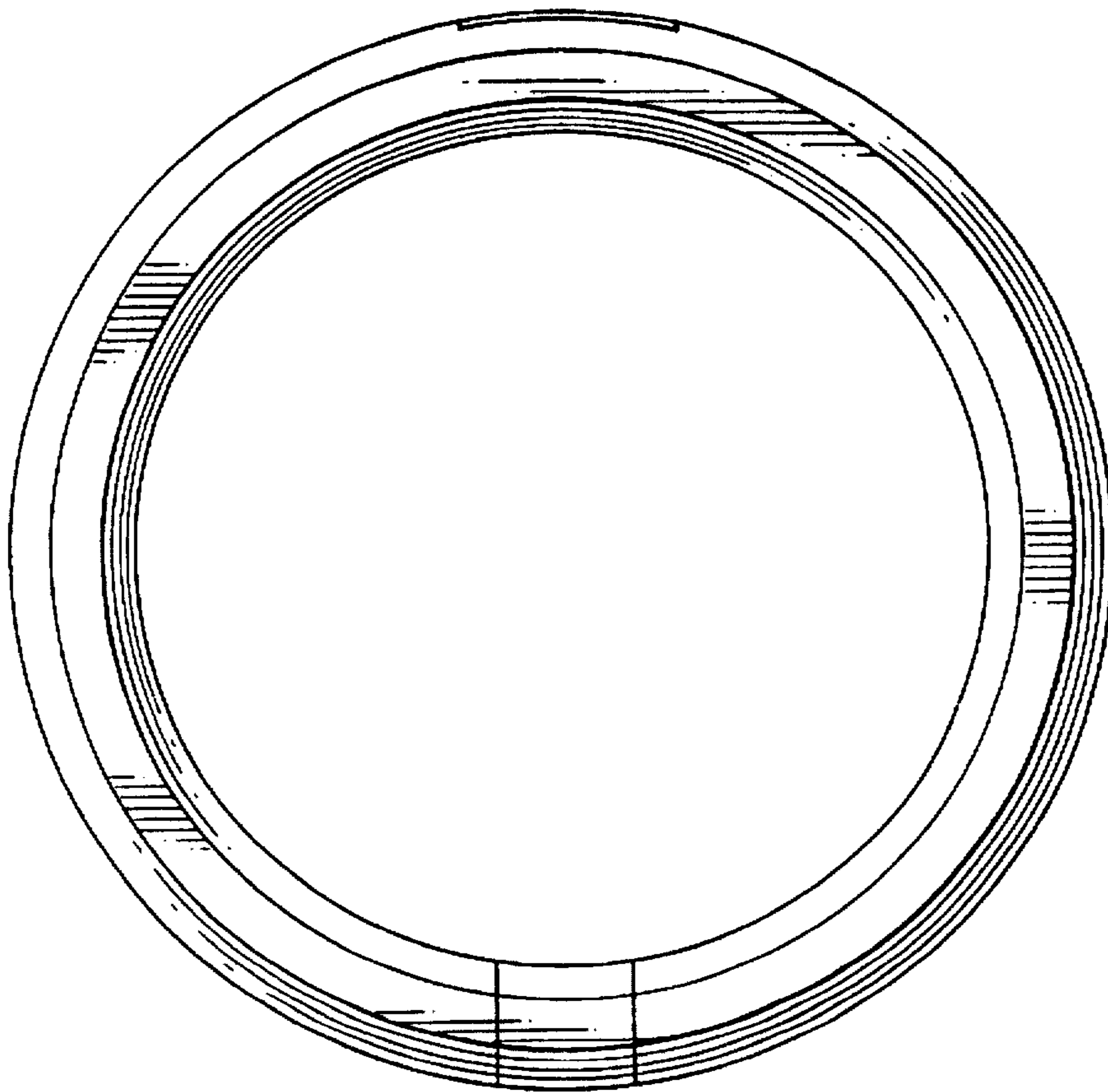


Fig. 3

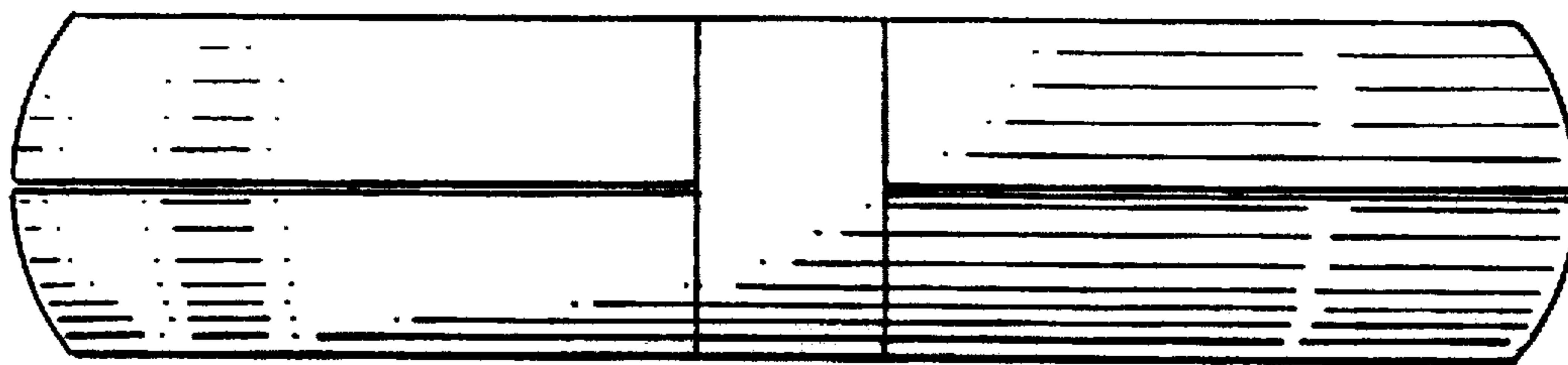


Fig. 4

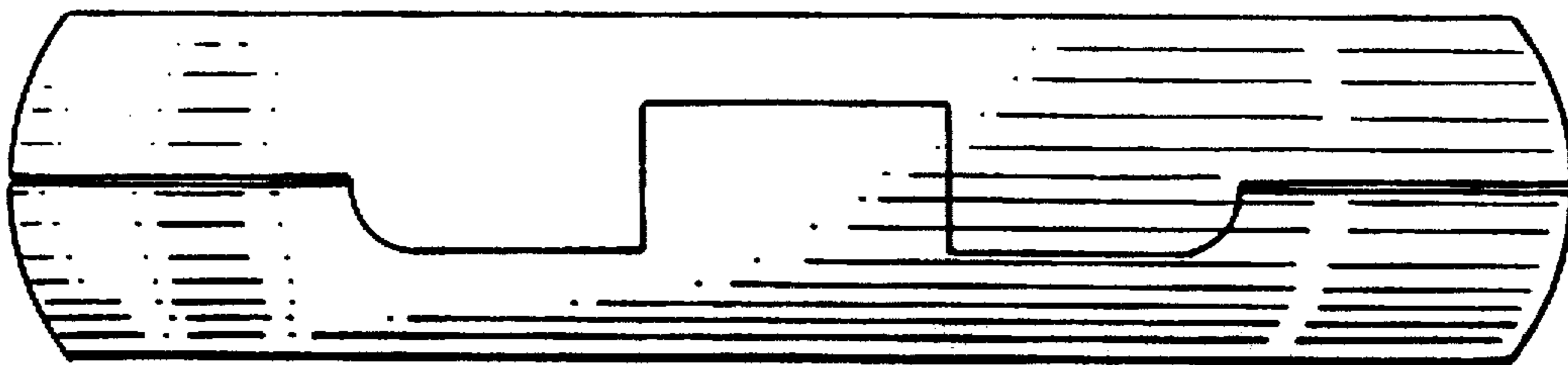


Fig. 5

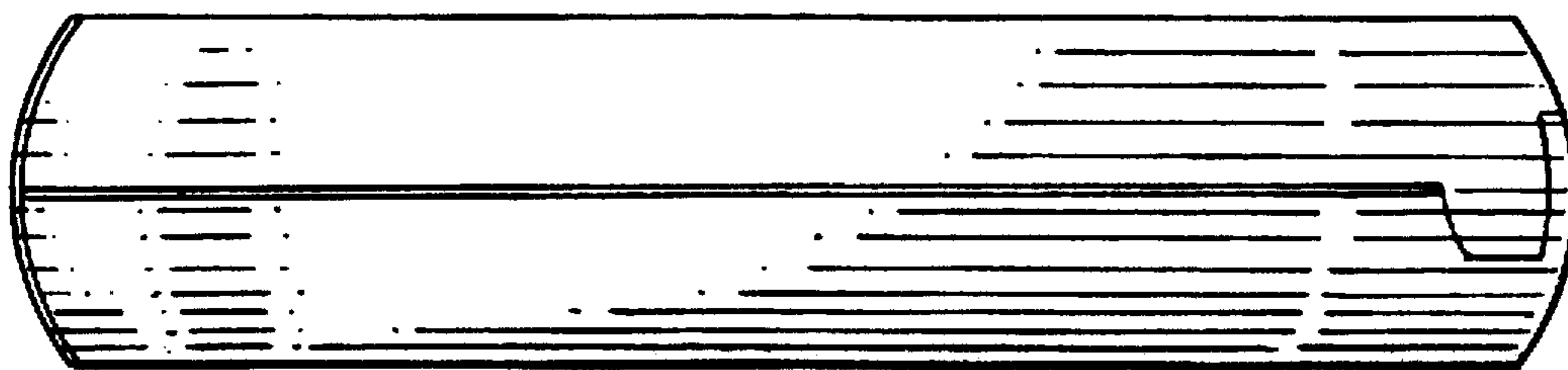


Fig. 6

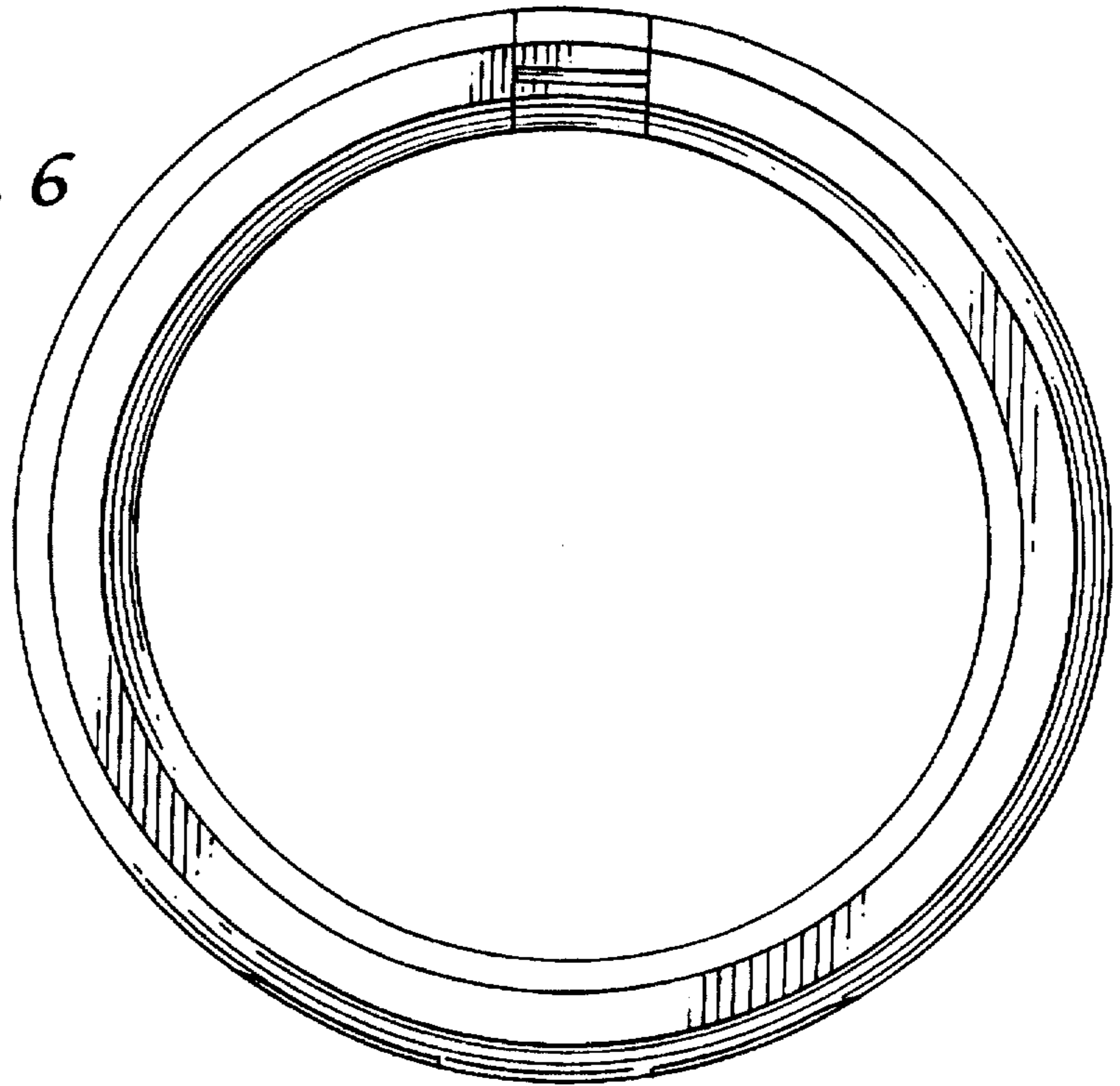


Fig. 7

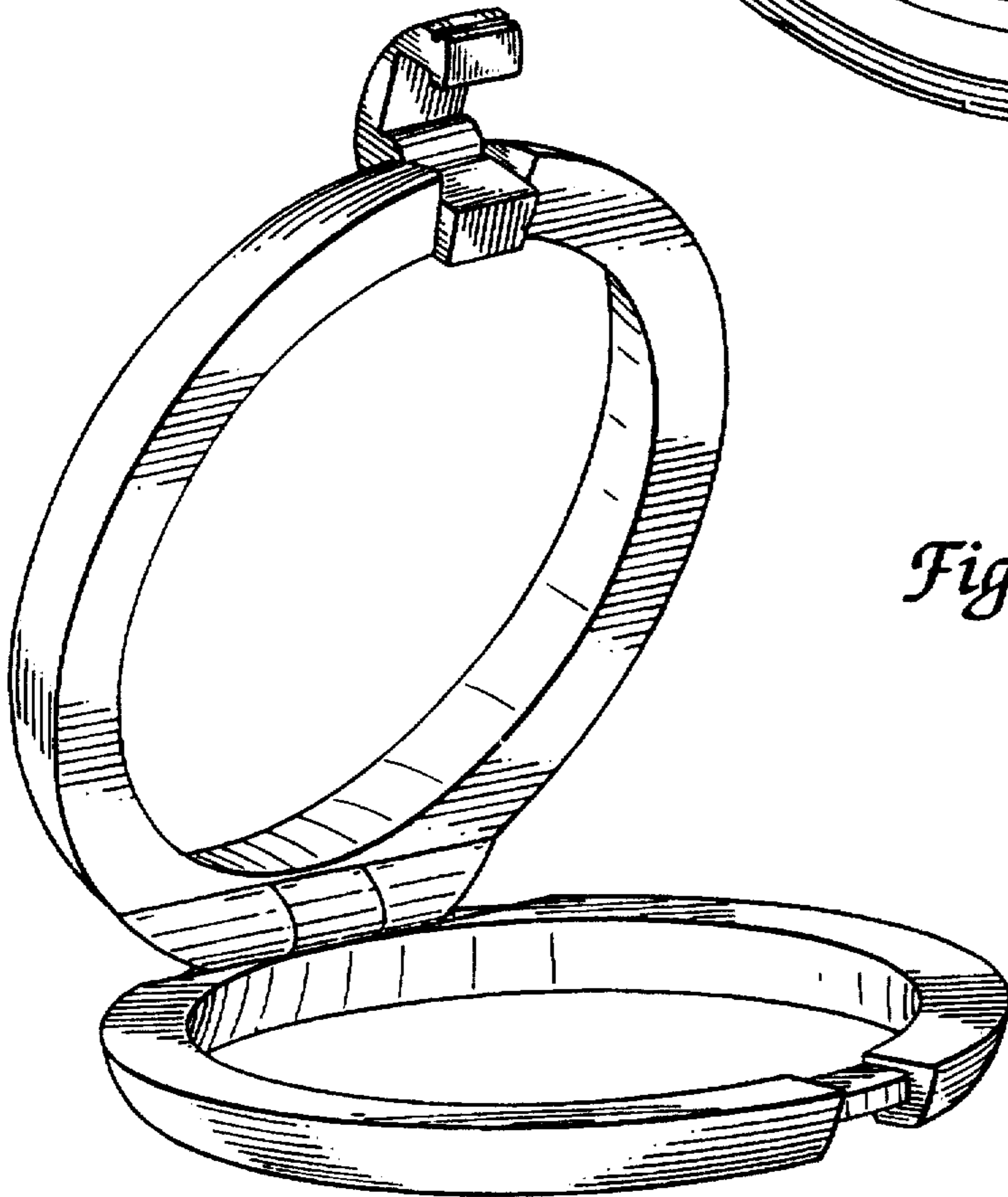


Fig. 8

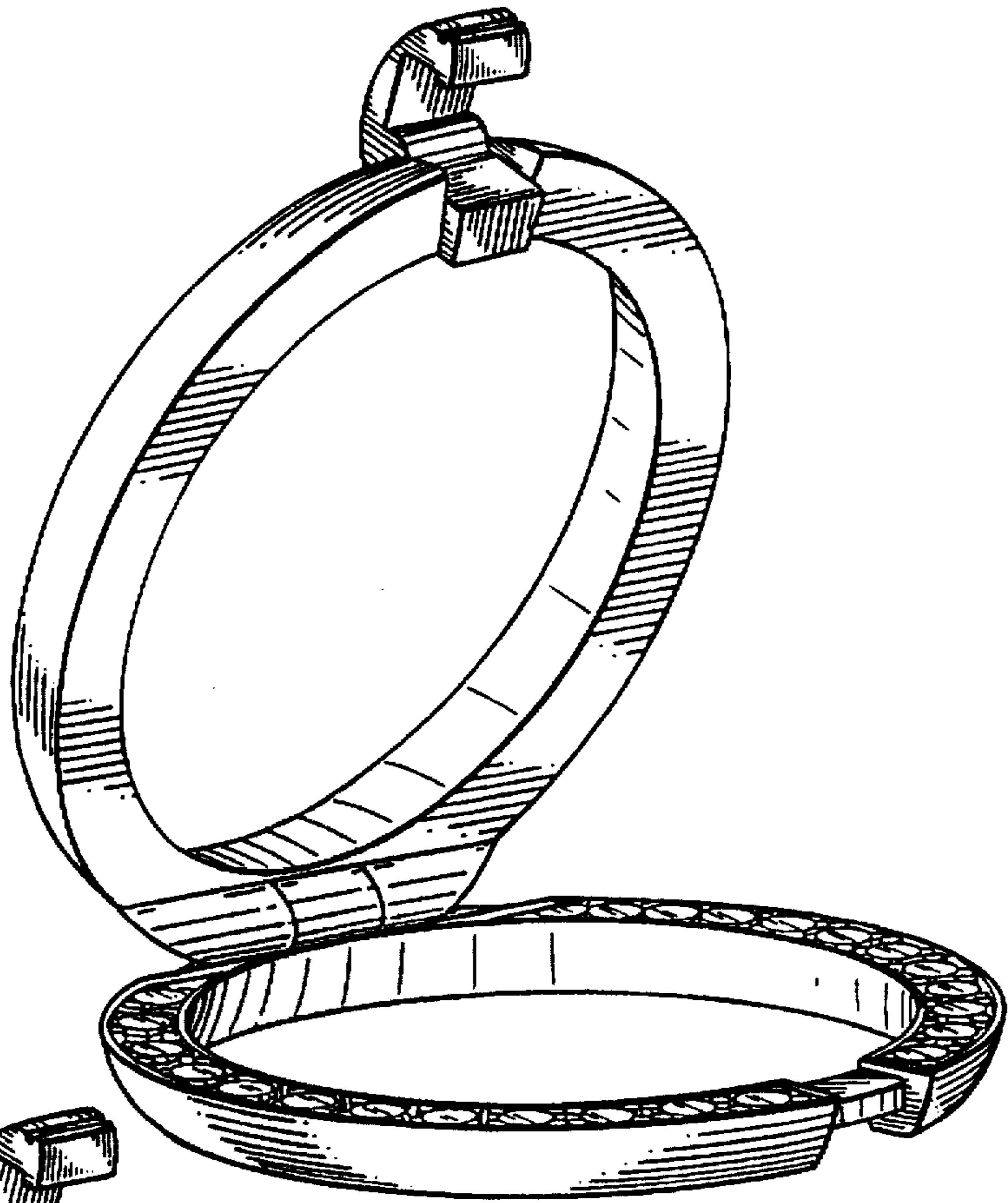


Fig. 9

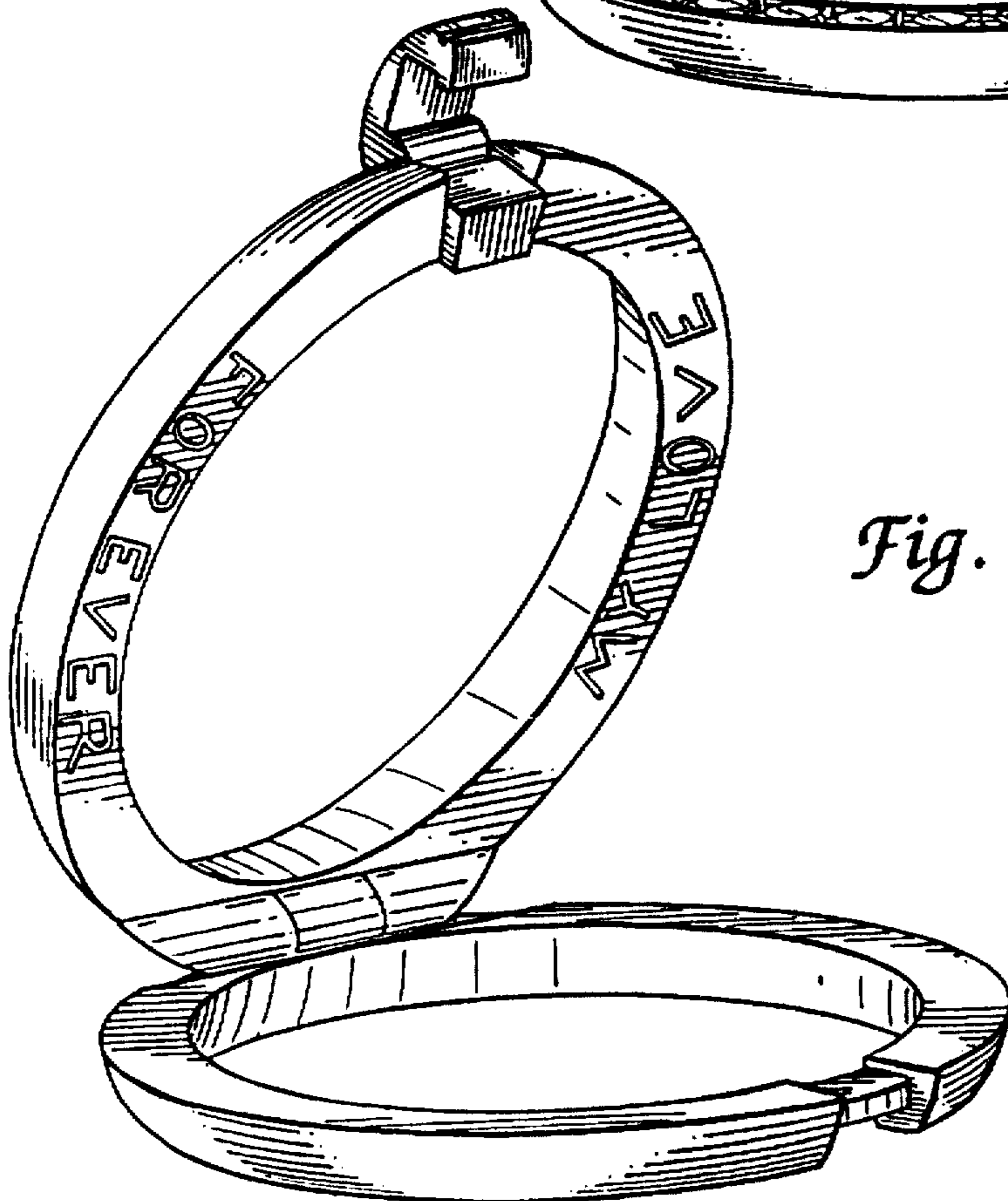


Fig. 10

