

US00D392571S

**United States Patent** [19]  
**Nichols**

[11] **Patent Number:** **Des. 392,571**  
[45] **Date of Patent:** **\*\*Mar. 24, 1998**

[54] **LAMP BASE WITH CLOCK**

D. 272,049 1/1984 Rulgari ..... D10/11  
D. 345,922 4/1994 Clincy ..... D10/5

[75] **Inventor:** **Ron Nichols, Bloomfield, Mich.**

*Primary Examiner*—Nelson C. Holtje  
*Attorney, Agent, or Firm*—Morey B. Wildes; Cowan,  
Liebowitz & Latman, P.C.

[73] **Assignee:** **Catalina Lighting, Inc., Miami, Fla.**

[\*\*] **Term:** **14 Years**

[57] **CLAIM**

[21] **Appl. No.:** **66,402**

The ornamental design for a lamp base with clock, as shown and described.

[22] **Filed:** **Feb. 13, 1997**

**DESCRIPTION**

[51] **LOC (6) Cl.** ..... **10-01**

[52] **U.S. Cl.** ..... **D10/5; D26/54**

[58] **Field of Search** ..... **D10/5, 2, 11; D26/52, D26/54, 93-95**

FIG. 1 is a top, left side, front perspective view of the lamp base with clock having my new design;  
FIG. 2 is a top plan view thereof;  
FIG. 3 is a front elevational view thereof;  
FIG. 4 is a right side elevational view thereof, the left side being a mirror image hereof;  
FIG. 5 is a back elevational view thereof; and,  
FIG. 6 is a bottom plan view thereof.

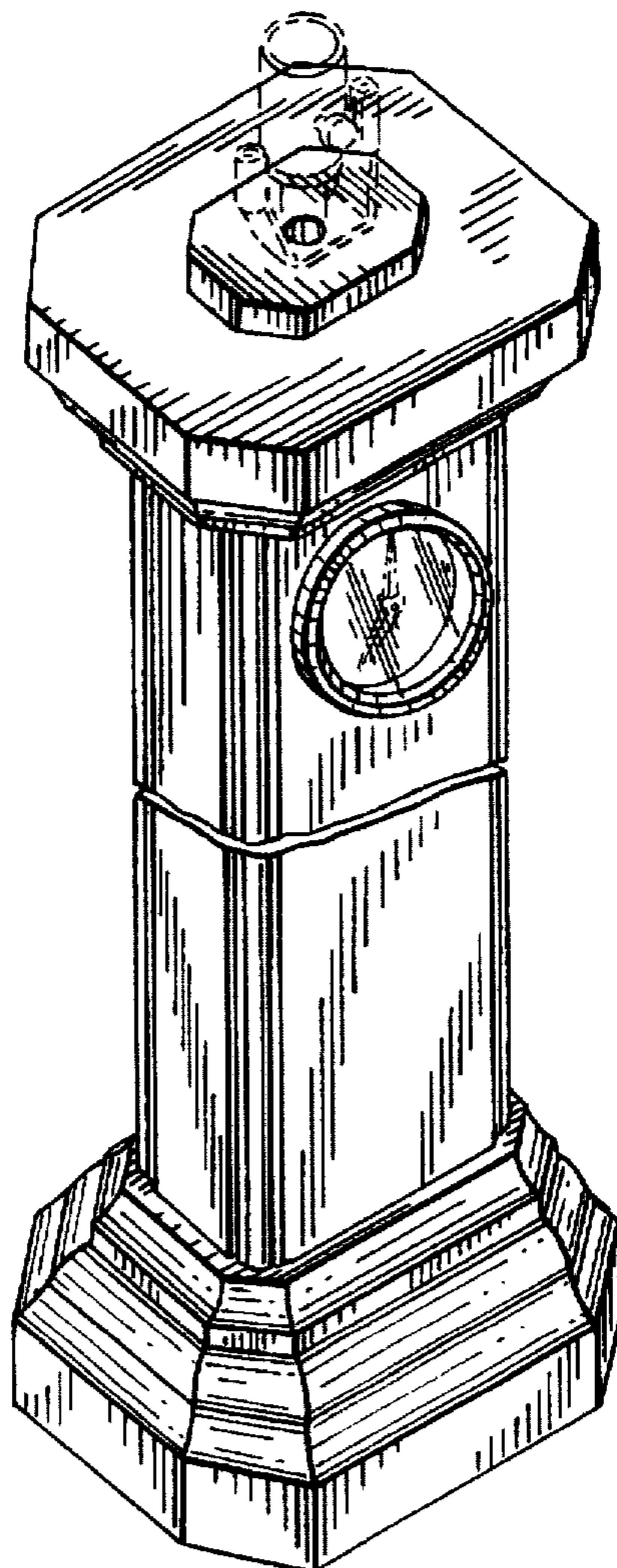
[56] **References Cited**

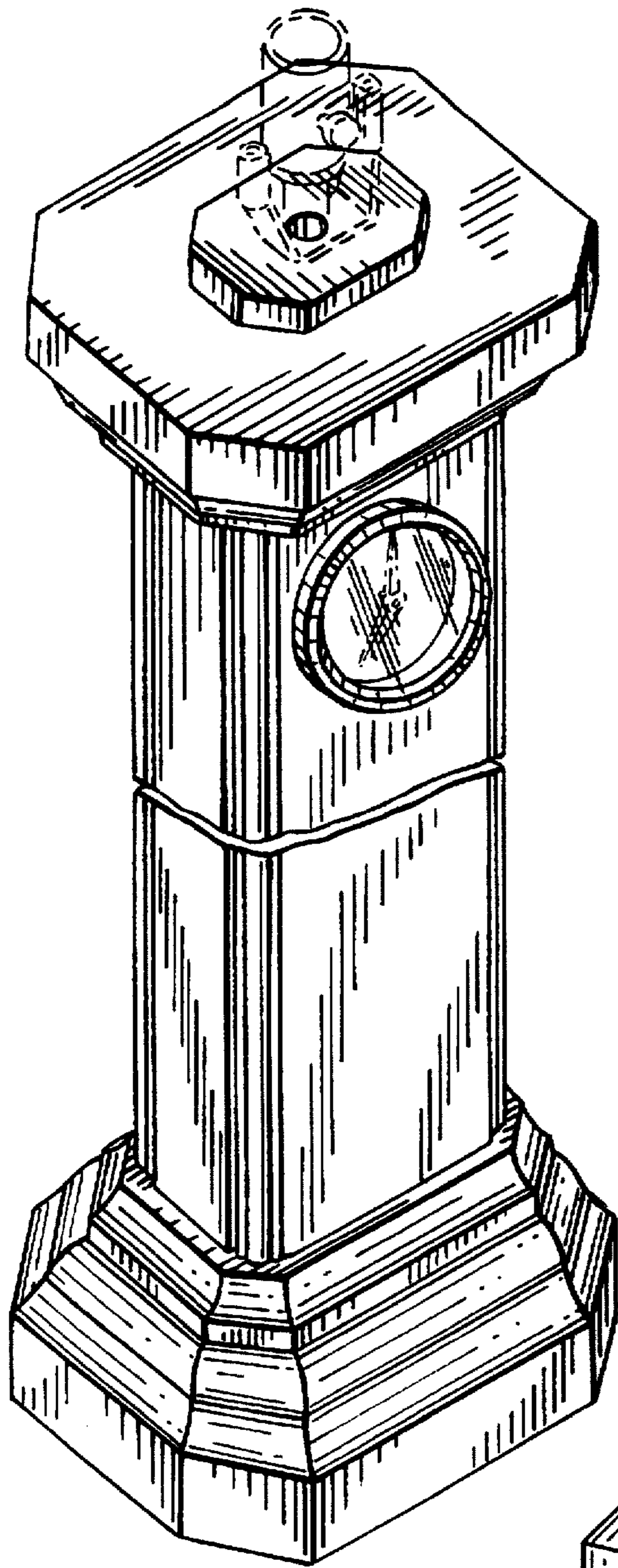
**U.S. PATENT DOCUMENTS**

- D. 87,412 7/1932 Rudanet ..... D26/54
- D. 89,179 2/1933 Gottlieb ..... D10/5
- D. 91,172 12/1933 Levy ..... D10/5
- D. 144,539 4/1946 Cameron ..... D10/5
- D. 208,809 10/1967 Buffington ..... D26/54
- D. 249,242 9/1978 Williams ..... D26/54

The columns of FIGS. 1 and 3-5 are shown broken-away to indicate indeterminate length; and the broken-line showing of FIG. 1 is for environmental purposes only and forms no part of the claimed design.

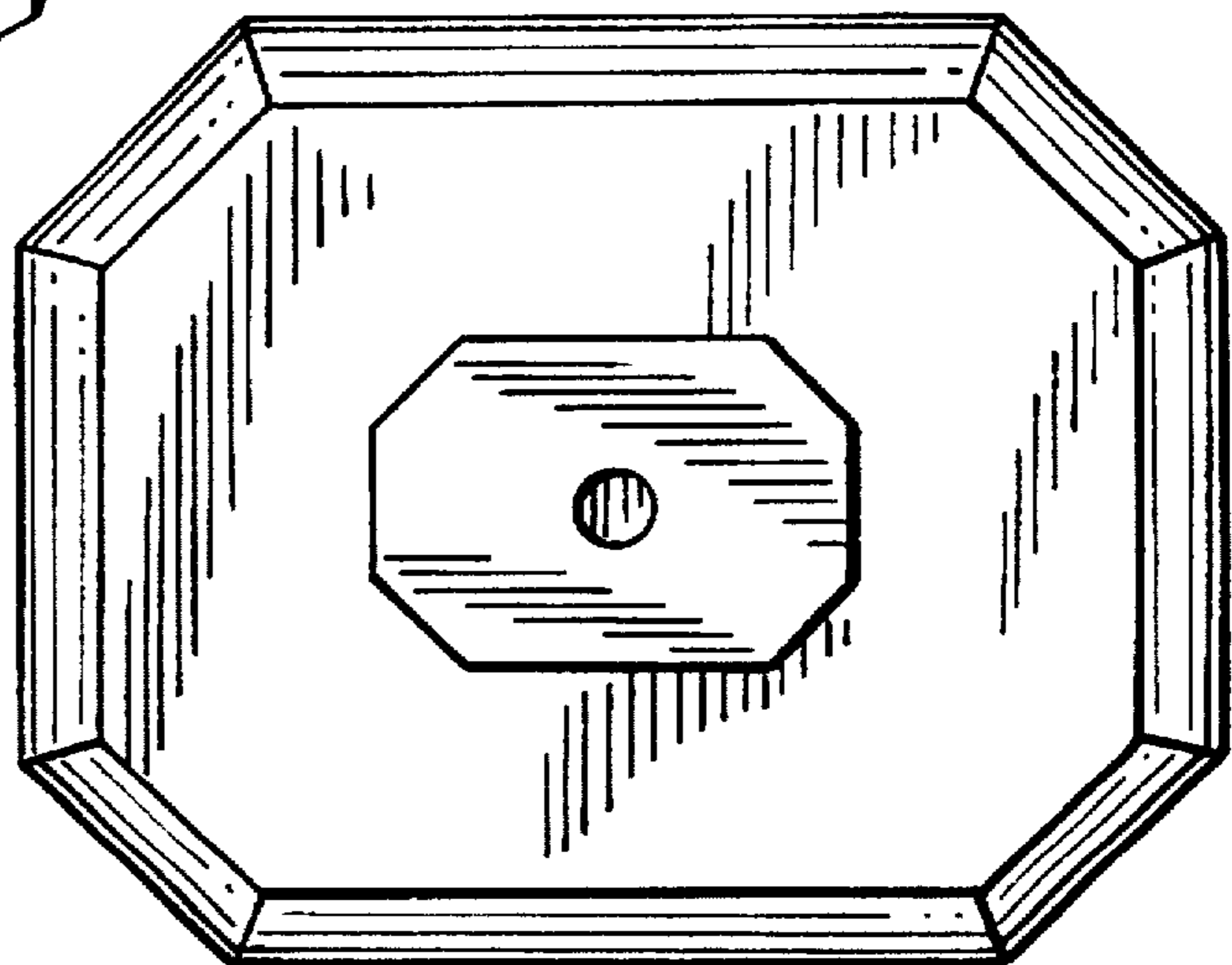
**1 Claim, 3 Drawing Sheets**



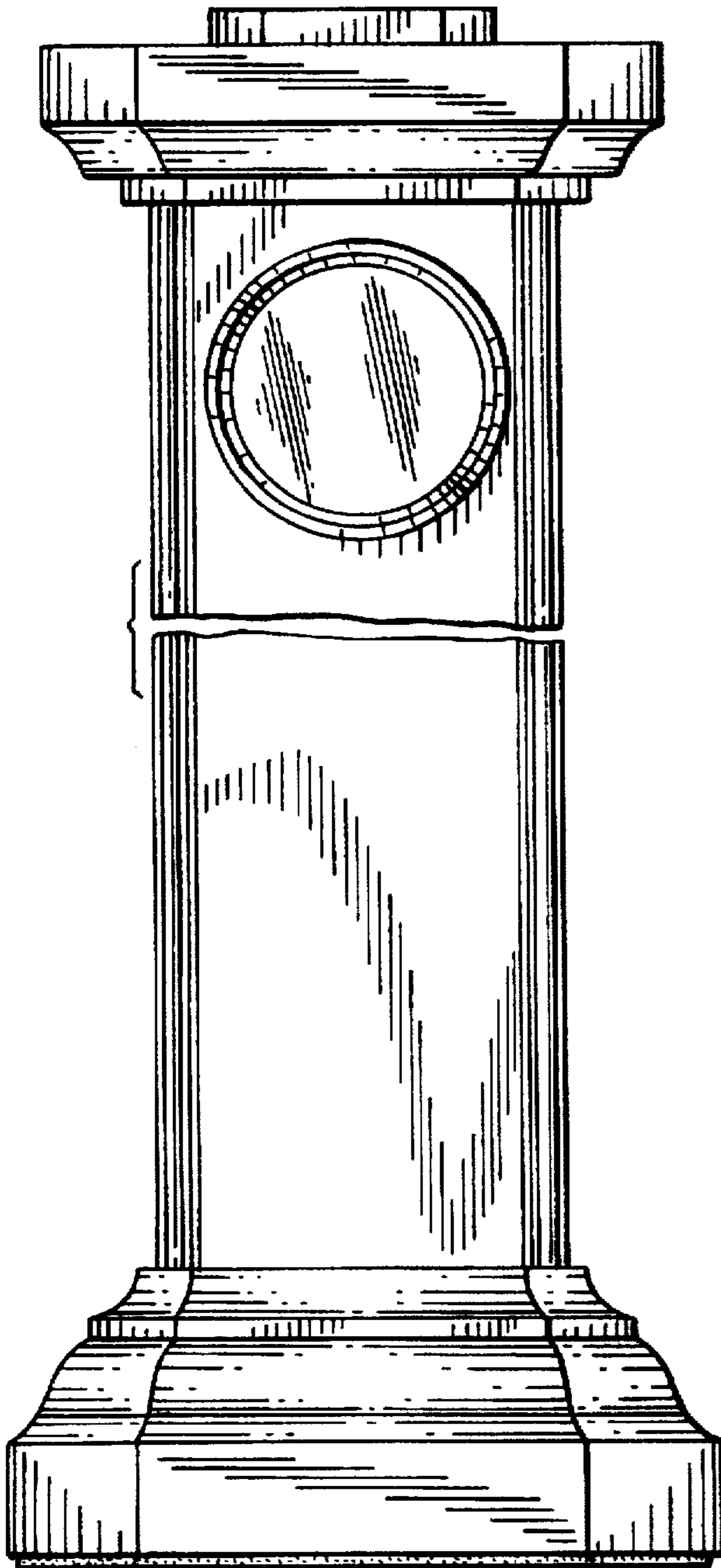


*FIG. 1*

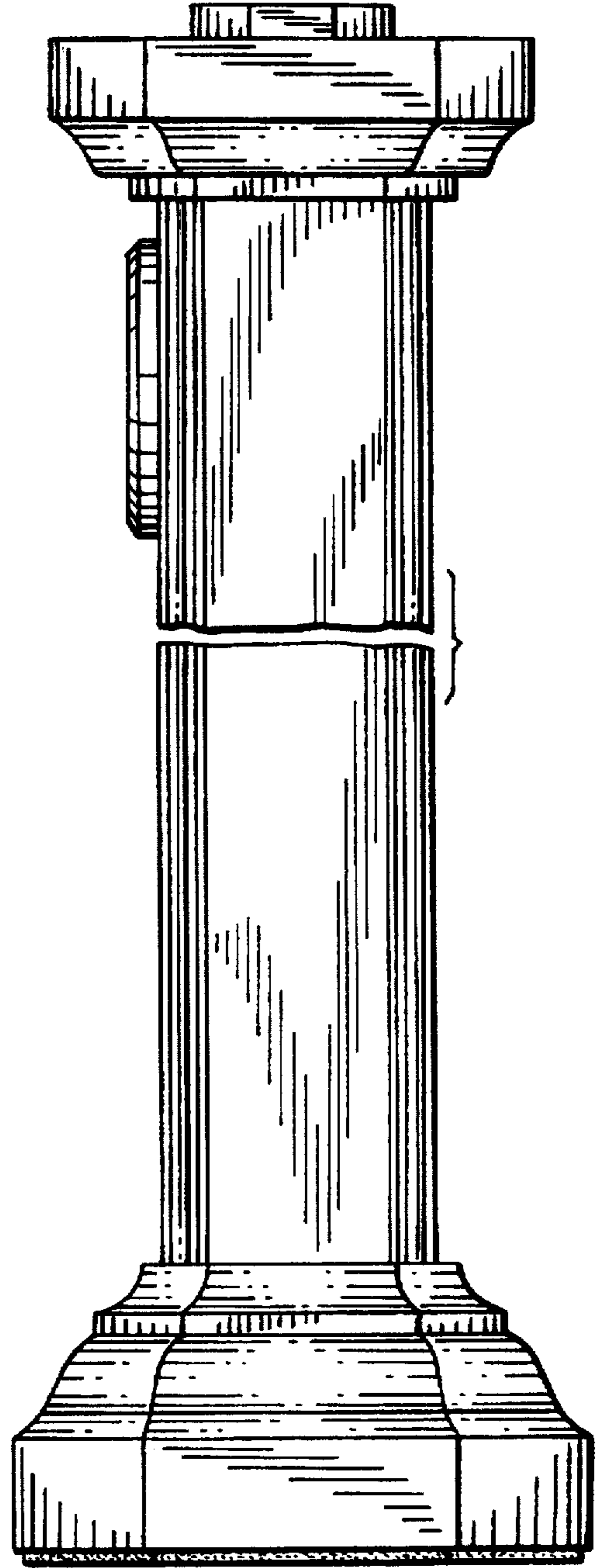
*FIG. 2*



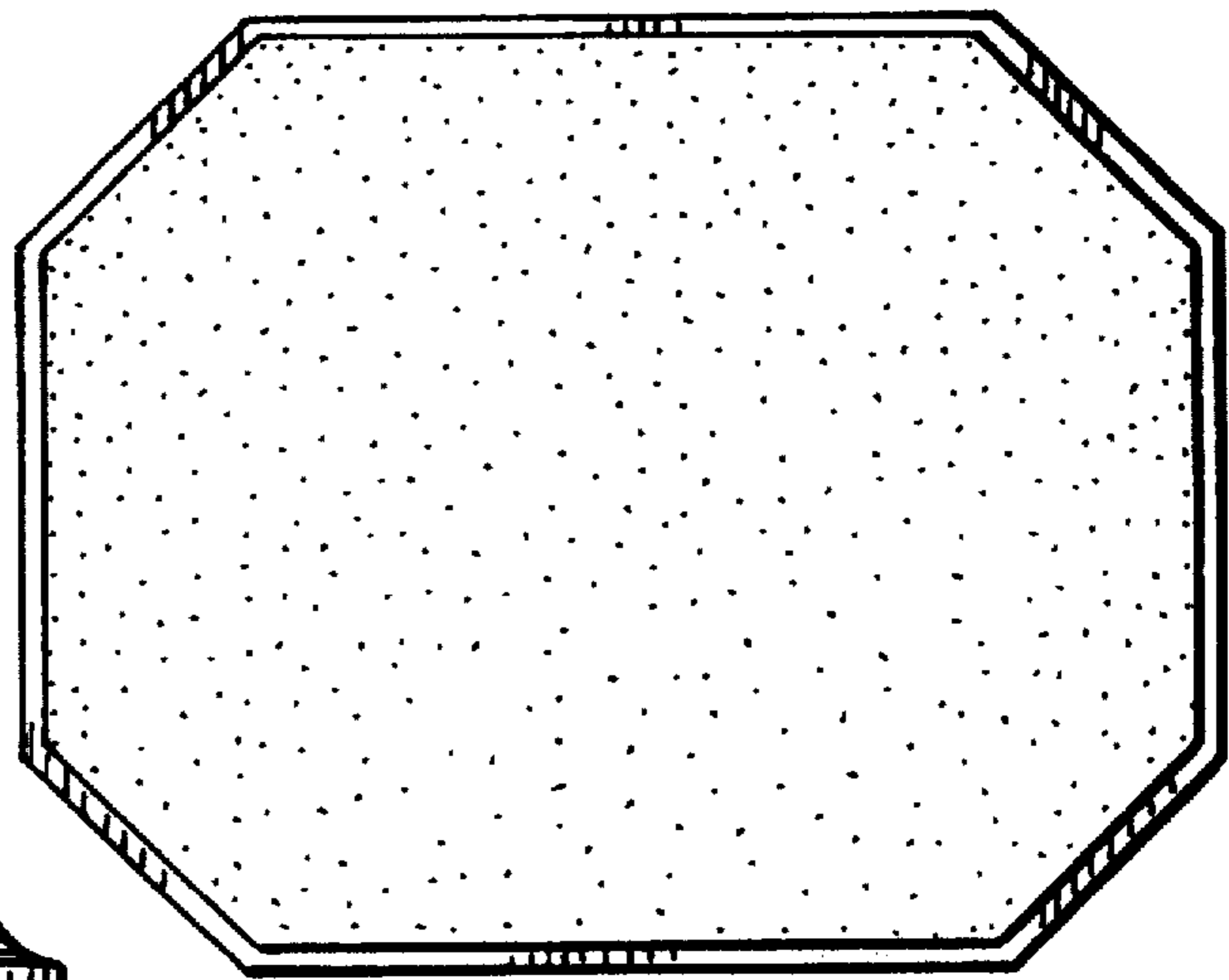
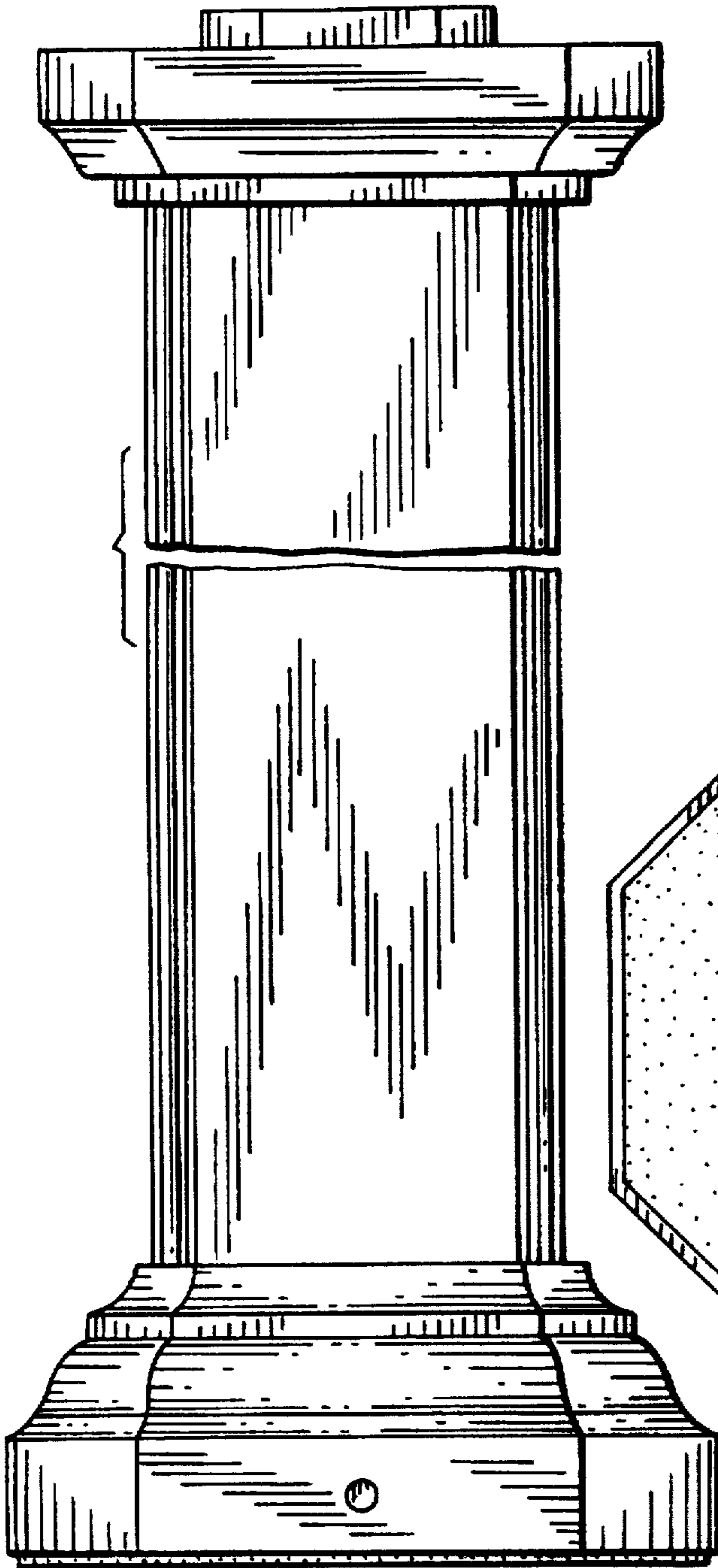
*FIG. 3*



*FIG. 4*



*FIG. 5*



*FIG. 6*