

US00D392563S

United States Patent [19]

Iwanaga

[11] Patent Number: **Des. 392,563**

[45] Date of Patent: ****Mar. 24, 1998**

[54] **WATCH HOLDING BOX**

[75] Inventor: **Kazuo Iwanaga**, Chiba, Japan

[73] Assignee: **Kabushiki Kaisha Hattori Seiko**,
Tokyo, Japan

[**] Term: **14 Years**

[21] Appl. No.: **57,811**

[22] Filed: **Aug. 1, 1996**

[51] **LOC (6) Cl.** **09-07**

[52] **U.S. Cl.** **D9/422; D9/430**

[58] **Field of Search** **D9/420-424, 430,**
D9/431, 337, 456; 206/6.1, 301, 18, 566,
594; 224/903

[56] **References Cited**

U.S. PATENT DOCUMENTS

- D. 151,956 12/1948 Baud .
- D. 219,868 2/1971 Madl et al. D9/422
- D. 259,690 6/1981 Fetzer D9/422 X
- D. 332,399 1/1993 Neff .
- D. 332,400 1/1993 Neff D9/423
- D. 342,193 12/1993 Smith D9/430 X
- D. 343,119 1/1994 Masonaga D9/422
- D. 344,234 2/1994 Kaplan .

- D. 344,676 3/1994 Newman D9/430
- D. 369,295 4/1996 Kobari et al. D9/423
- 2,041,302 5/1936 Shields 206/566 X
- 4,732,269 3/1988 Roy .

Primary Examiner—Prabhakar G. Deshmukh
Attorney, Agent, or Firm—Stroock & Stroock & Lavan LLP

[57] **CLAIM**

The ornamental design for a watch holding box, as shown and described.

DESCRIPTION

FIG. 1 is a perspective view of a watch holding box showing my design;
 FIG. 2 is a top plan view thereof;
 FIG. 3 is a left side elevational view thereof; the right side elevational being a mirror image thereof;
 FIG. 4 is a front elevational view thereof; the rear elevational being a mirror image thereof;
 FIG. 5 is a bottom plan view thereof;
 FIG. 6 is a perspective view thereof, in an open position; and,
 FIG. 7 is a top plan view of FIG. 6.
 The broken line showing a watch holding apparatus is for illustrative purposes only and forms no part of the claim.

1 Claim, 5 Drawing Sheets

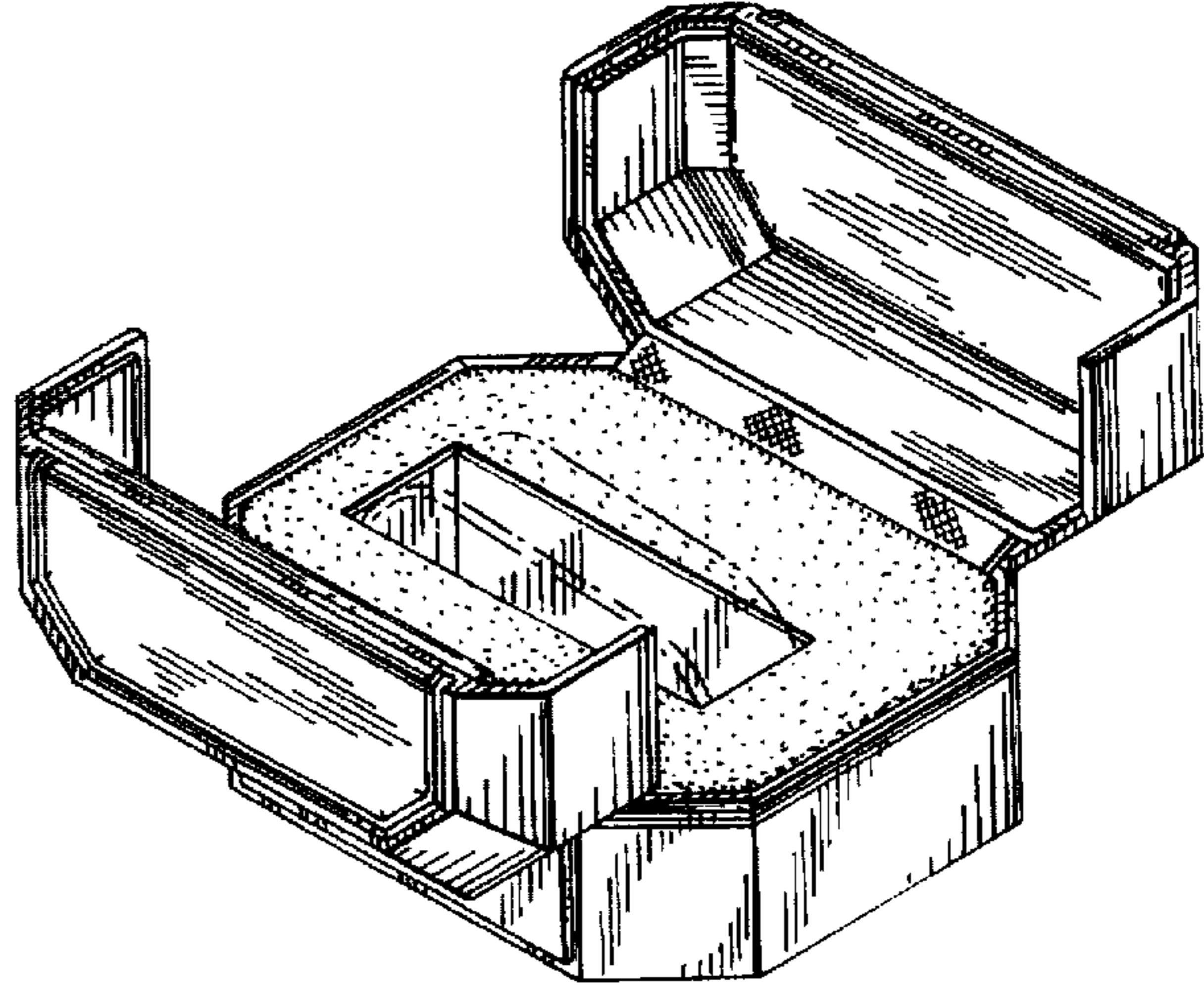
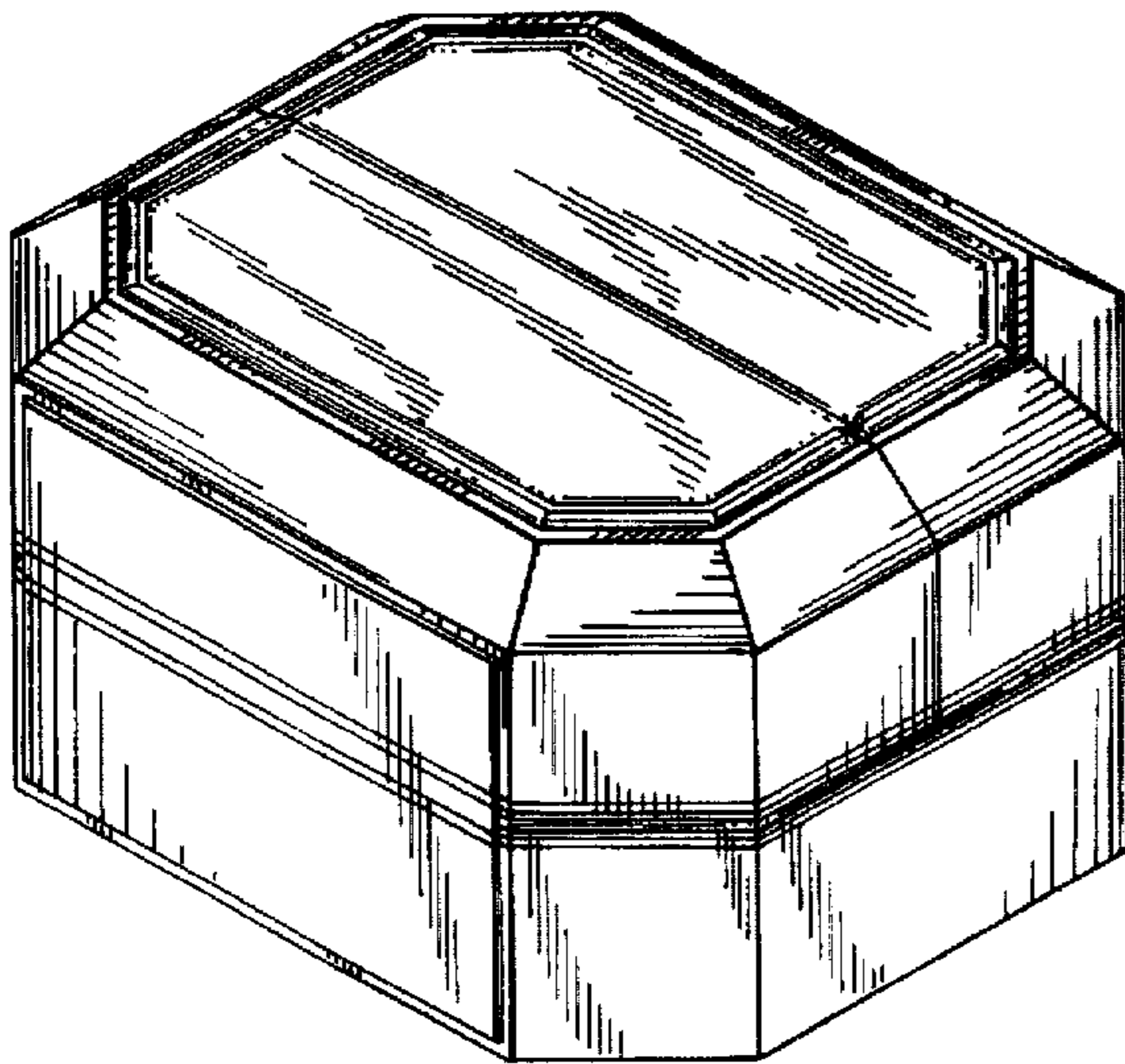


FIG. 1

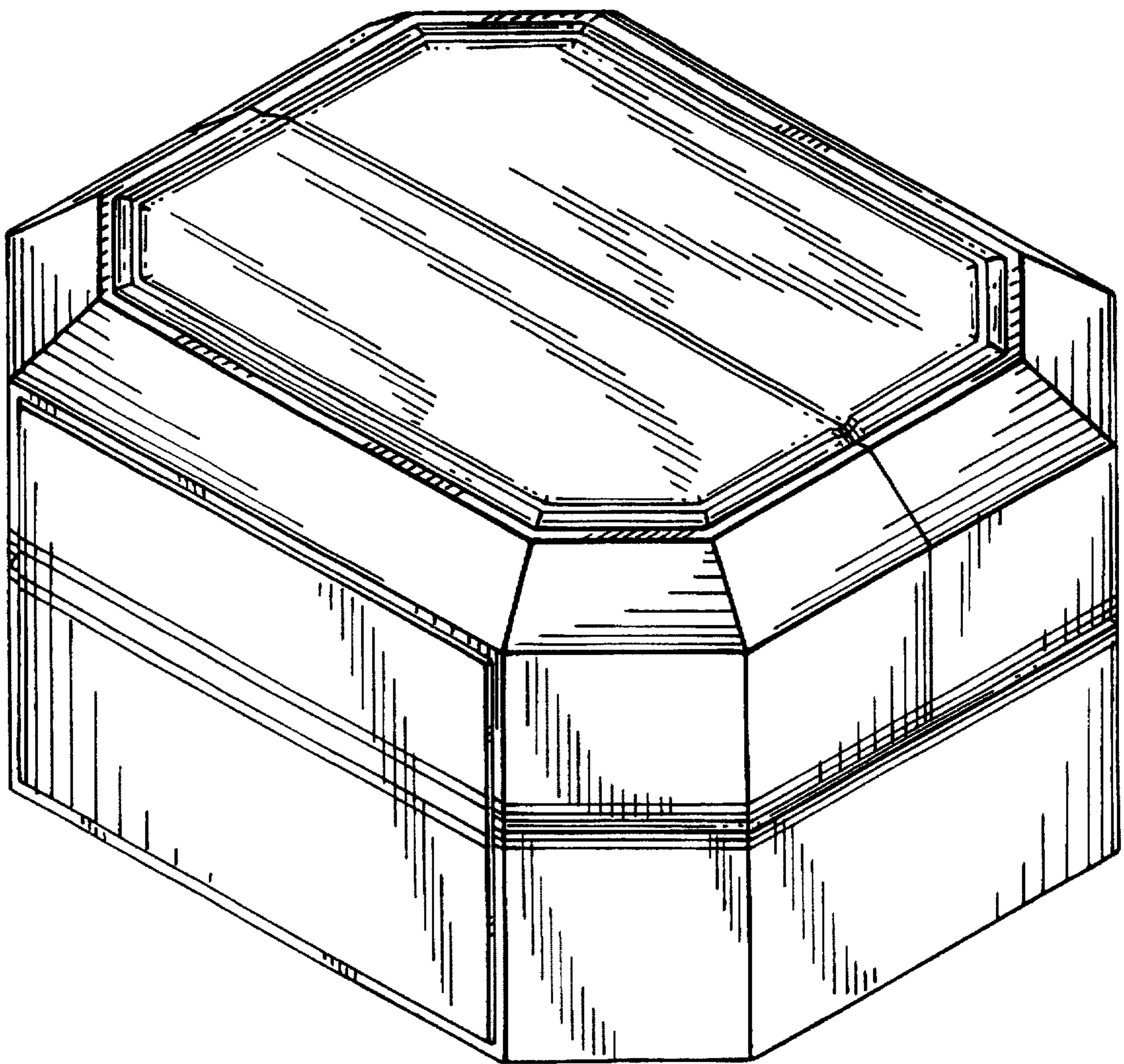


FIG. 2

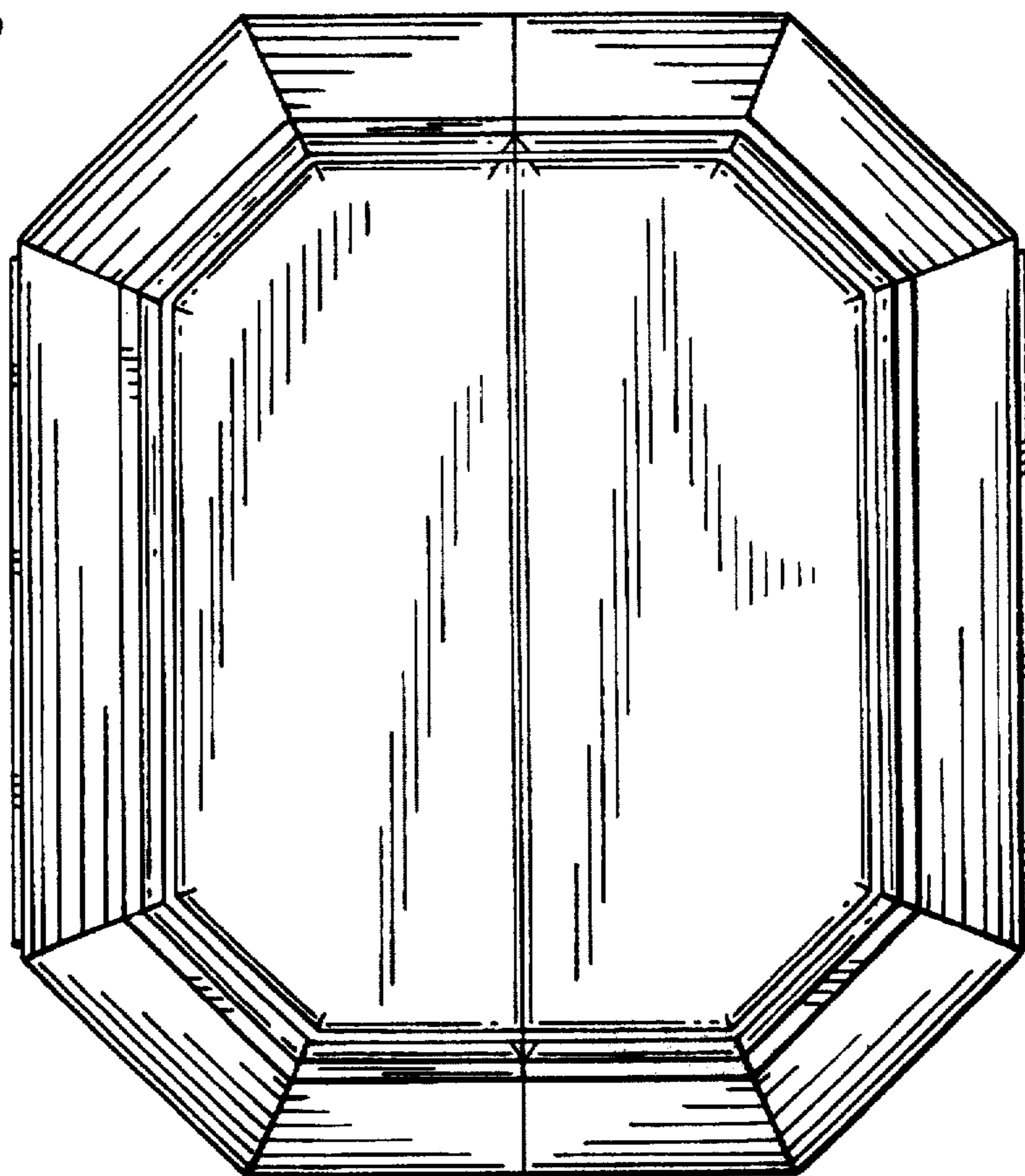


FIG. 3

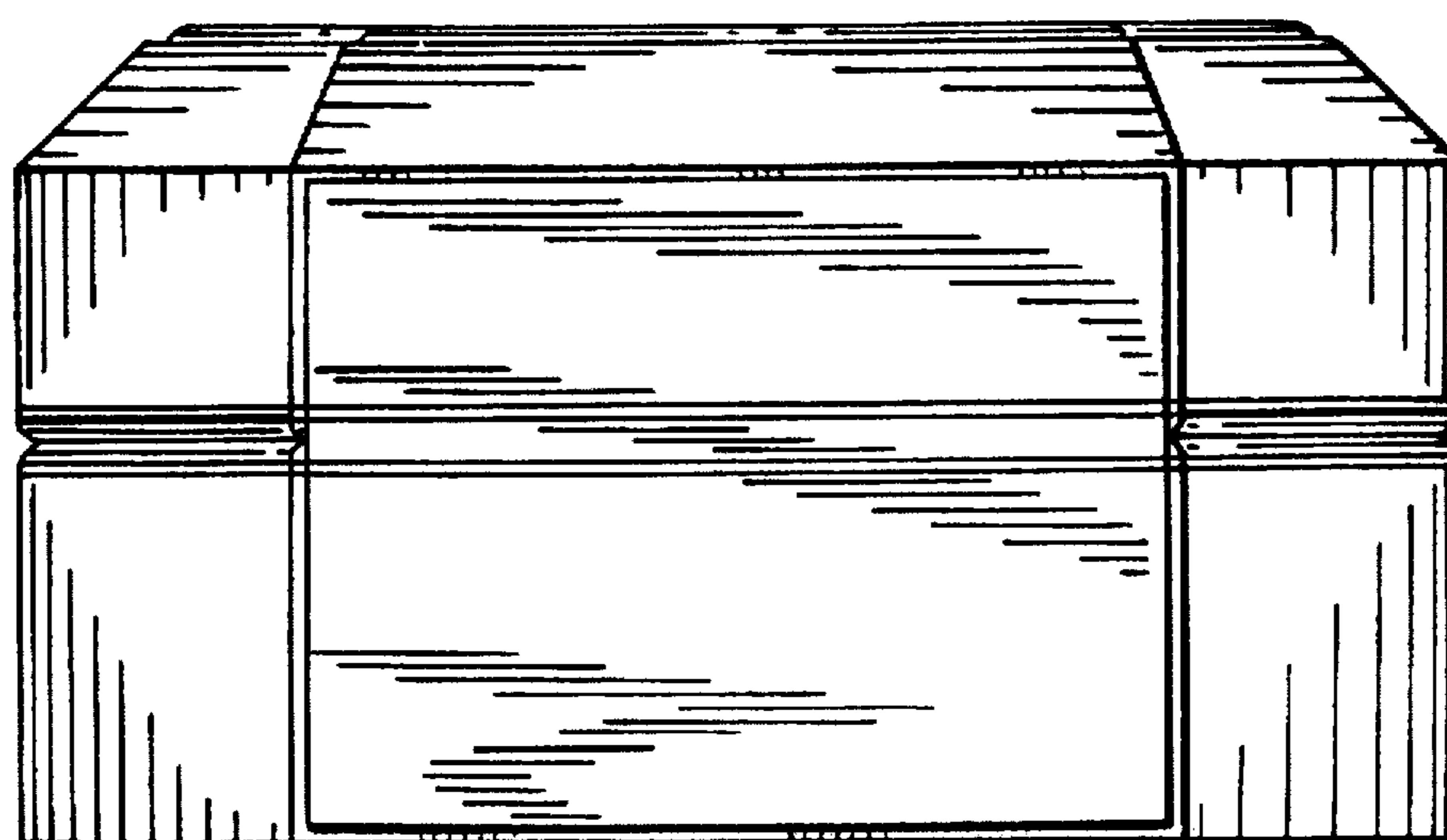


FIG. 4

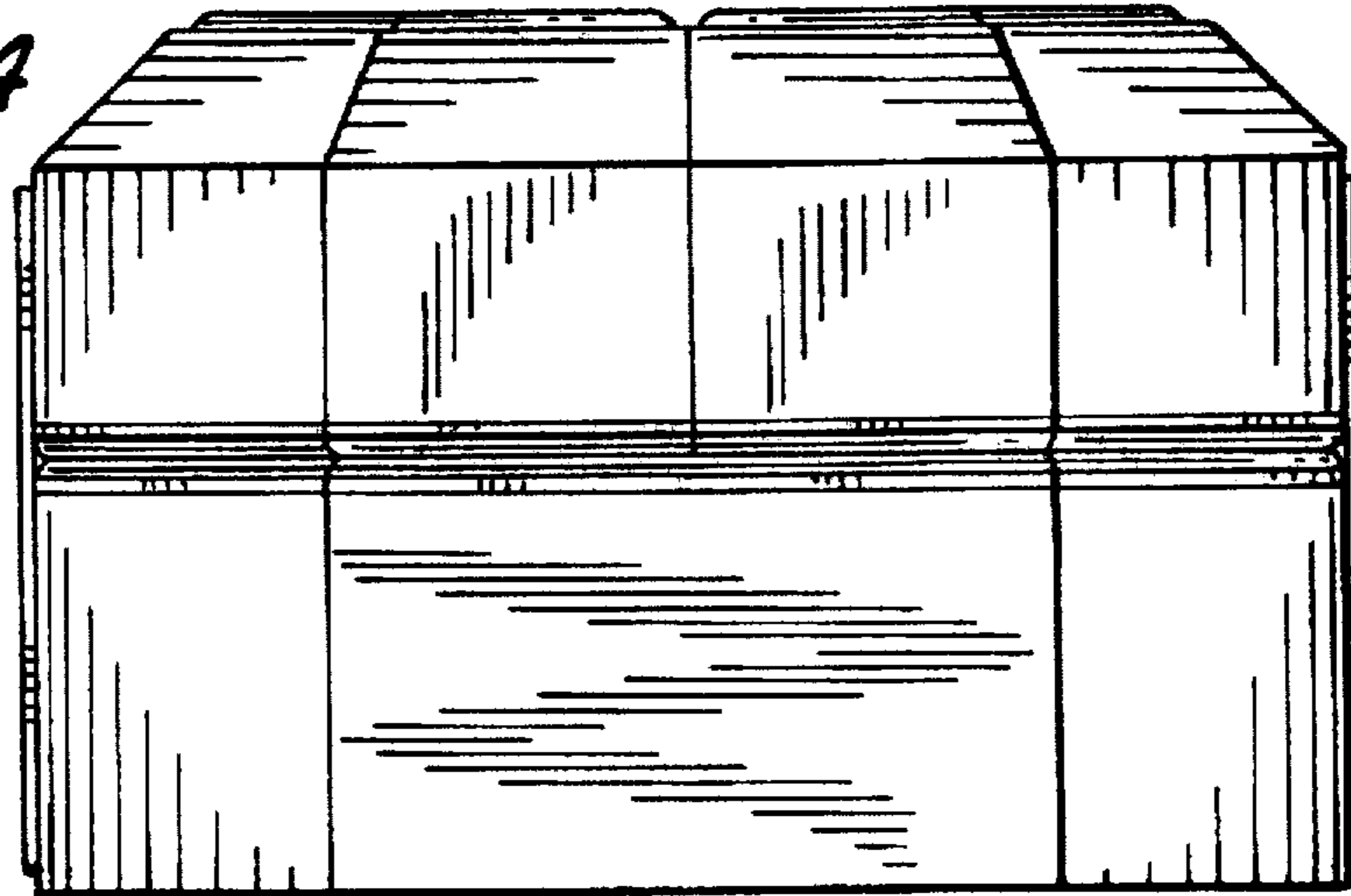
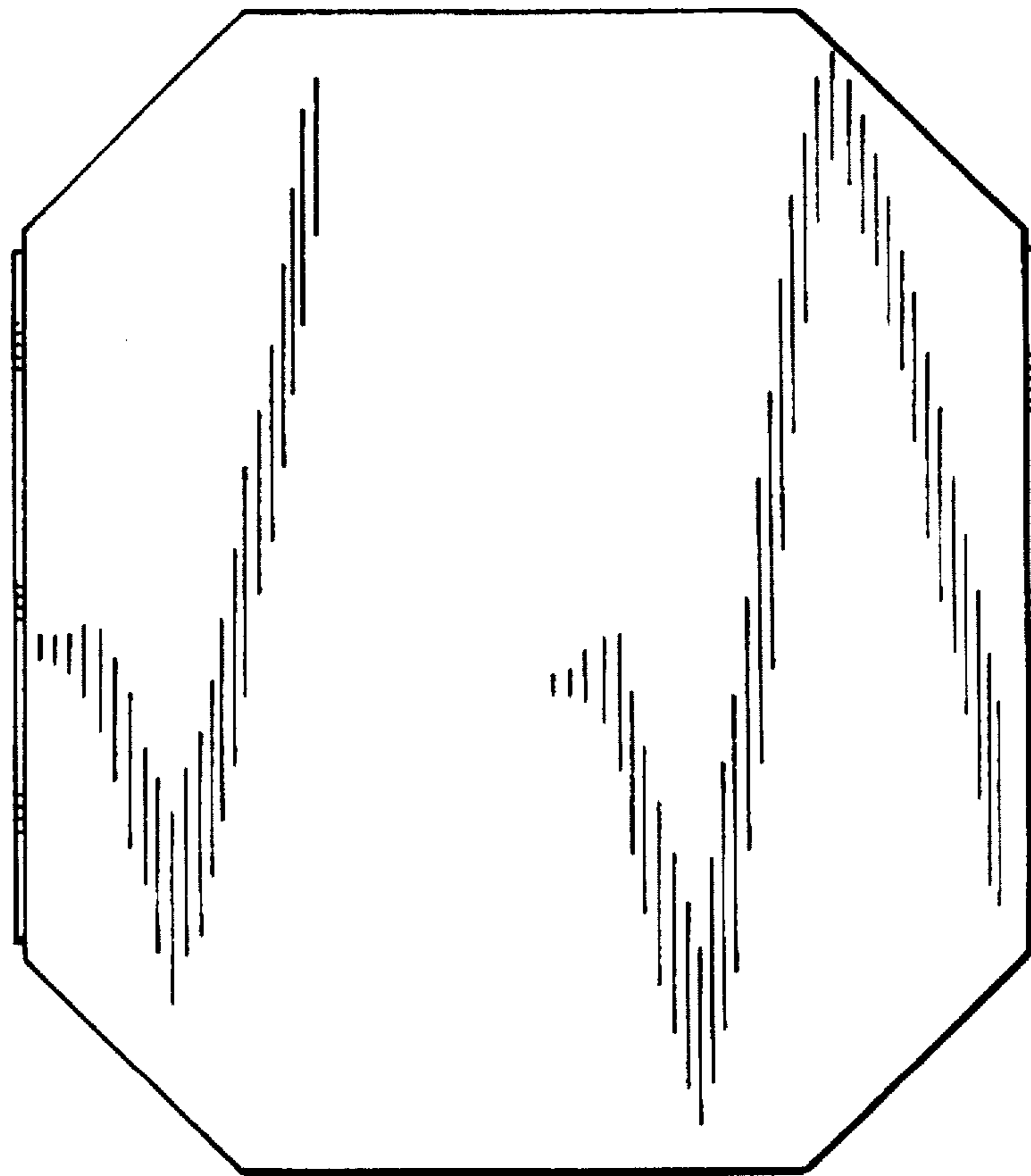


FIG. 5



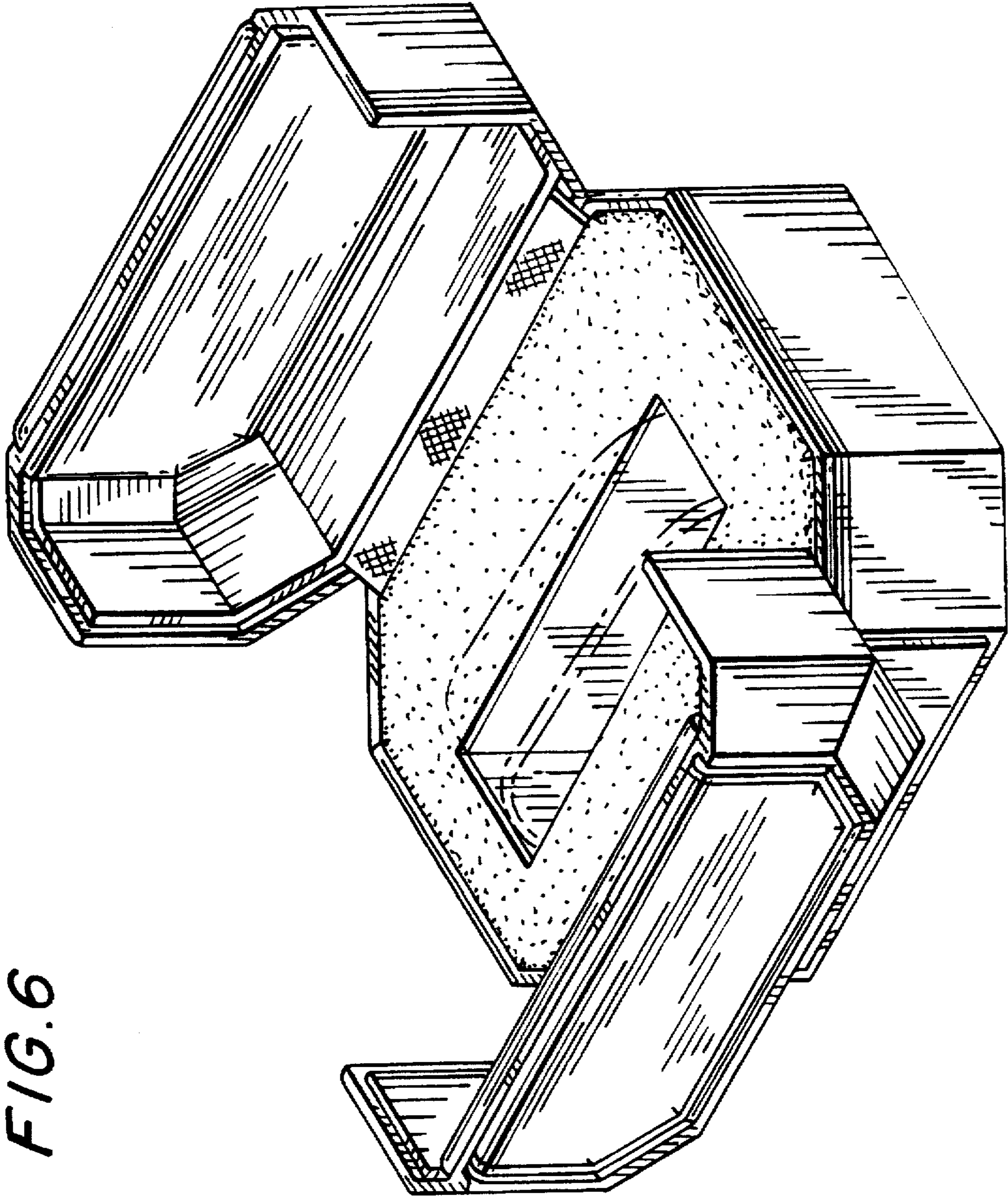


FIG. 6

FIG. 7

