

US00D392562S

United States Patent [19] Lo

[11] Patent Number: **Des. 392,562**
[45] Date of Patent: ****Mar. 24, 1998**

[54] **BLISTER PACK**

[75] Inventor: **Julian B. Lo**, Groton, Conn.

[73] Assignee: **Pfizer Inc.**, New York, N.Y.

[**] Term: **14 Years**

[21] Appl. No.: **61,729**

[22] Filed: **Oct. 29, 1996**

[51] LOC (6) Cl. **09-03**

[52] U.S. Cl. **D9/345; D9/341**

[58] Field of Search **D9/337, 339, 341,
D9/345, 347, 348, 415, 418; 206/528, 531,
534, 538, 539**

[56] **References Cited**

U.S. PATENT DOCUMENTS

D. 342,025	12/1993	Abraben et al.	D9/341 X
2,971,638	2/1961	Allison et al.	206/539 X
3,303,927	2/1967	Ballard	206/539 X
5,570,810	11/1996	Lambelet, Jr. et al.	206/531 X

FOREIGN PATENT DOCUMENTS

1030228	6/1953	France	206/539
3922763	1/1991	Germany	206/531

Primary Examiner—Ted Shooman
Assistant Examiner—Nanda Bondade
Attorney, Agent, or Firm—Peter C. Richardson; Gregg C. Benson; Carl J. Goddard

[57] **CLAIM**

The ornamental design for a blister pack, as shown and described.

DESCRIPTION

FIG. 1 is a bottom, right and front side view of a blister pack showing my new design;

FIG. 2 is a top, right and rear view thereof;

FIG. 3 is a bottom, right and front view of a second embodiment of FIG. 1;

FIG. 4 is a top, right and rear view of FIG. 3;

FIG. 5 is a bottom, right and front view of a third embodiment of FIG. 1;

FIG. 6 is a top, right and rear view of FIG. 5;

FIG. 7 is a bottom, right and front view of a fourth embodiment of FIG. 1;

FIG. 8 is a top, right and rear view of FIG. 7;

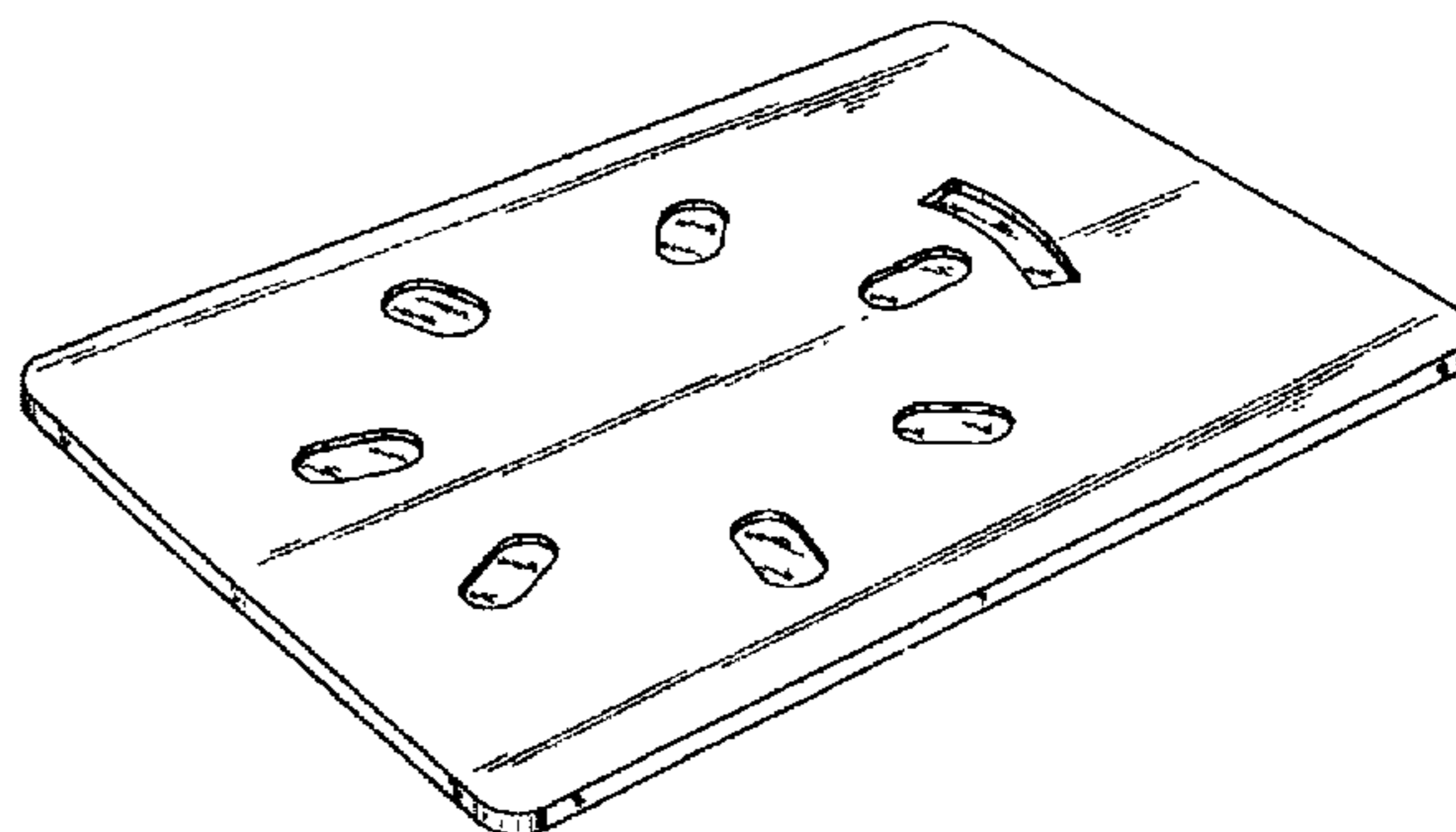
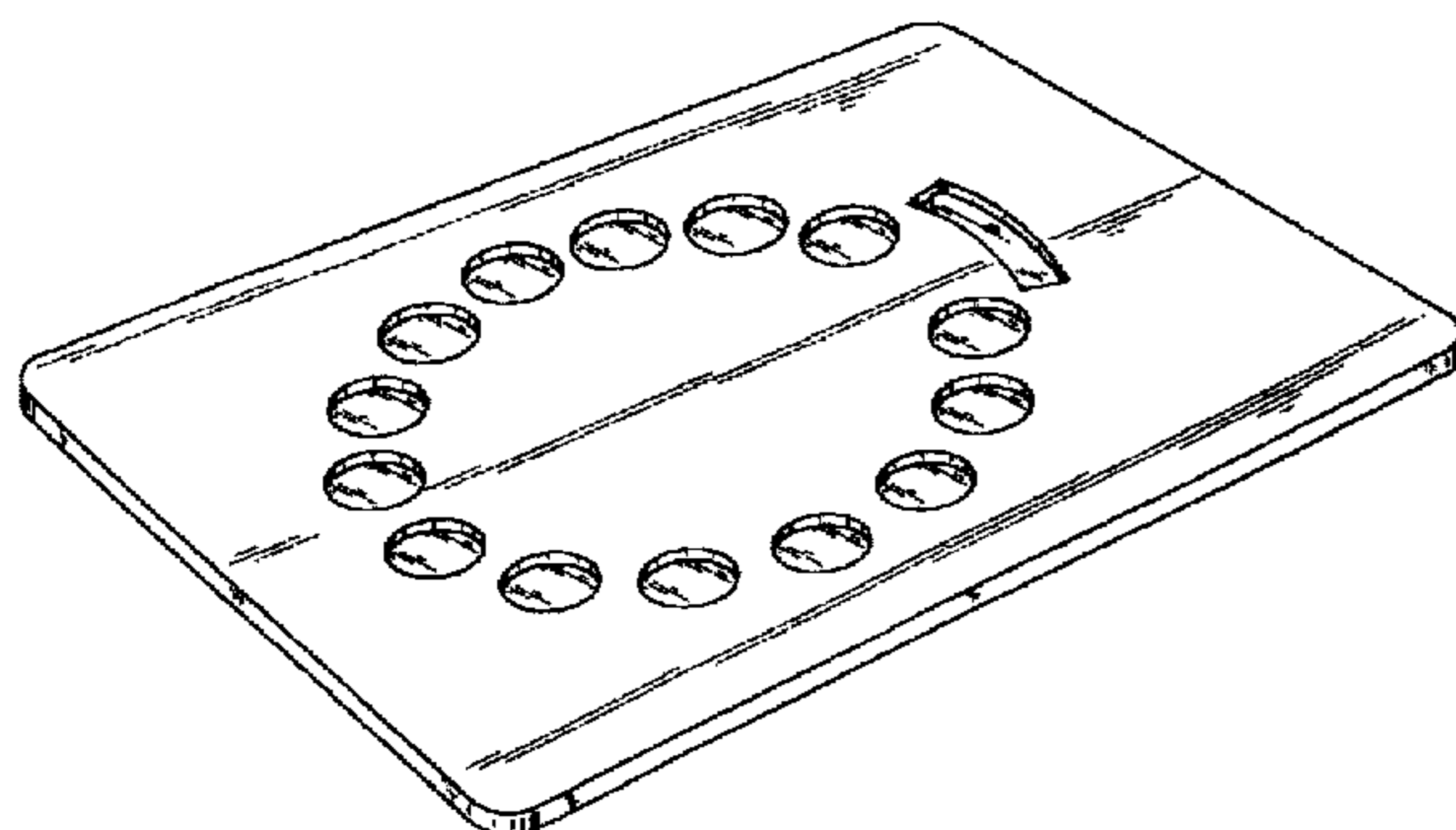
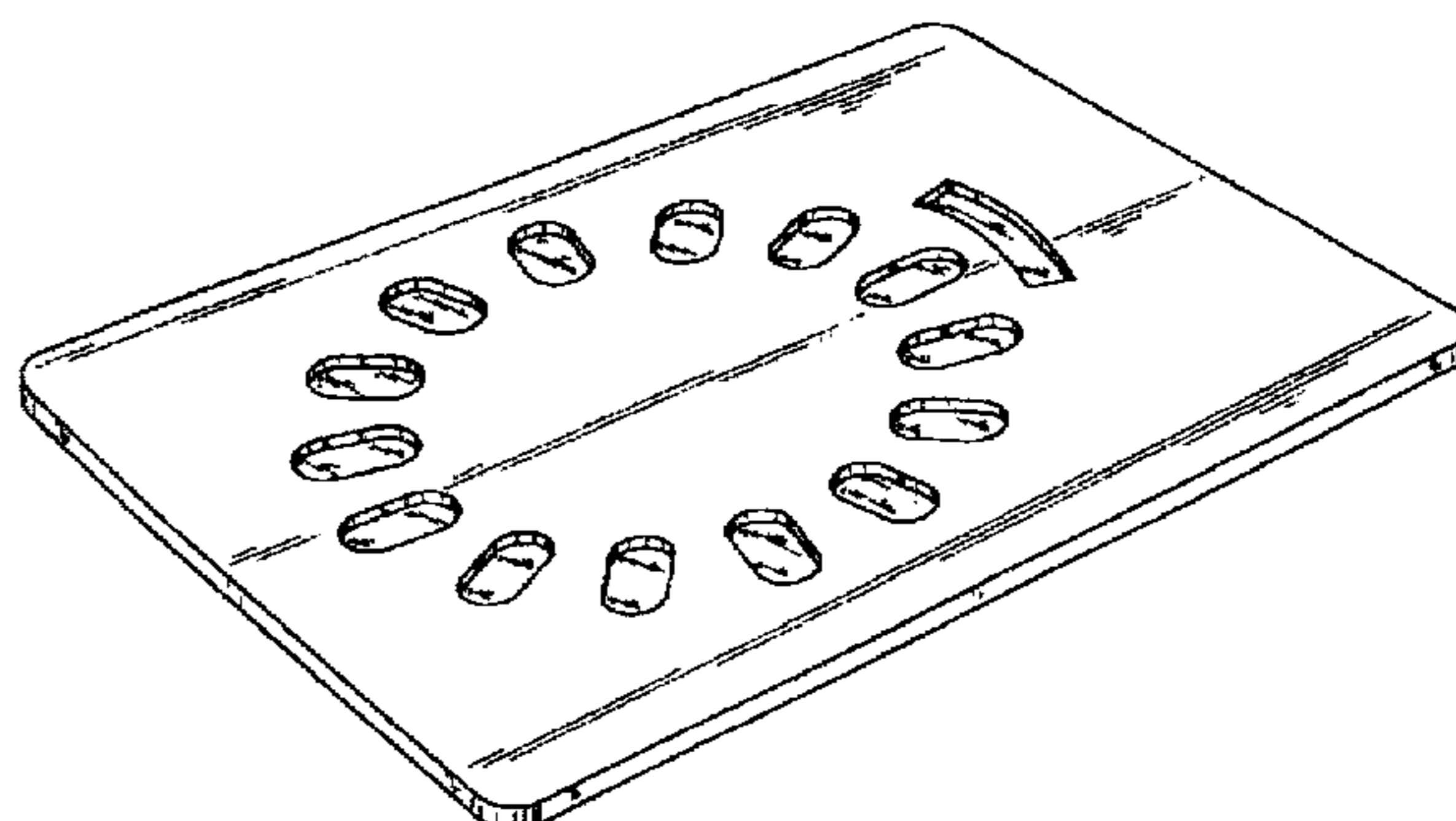
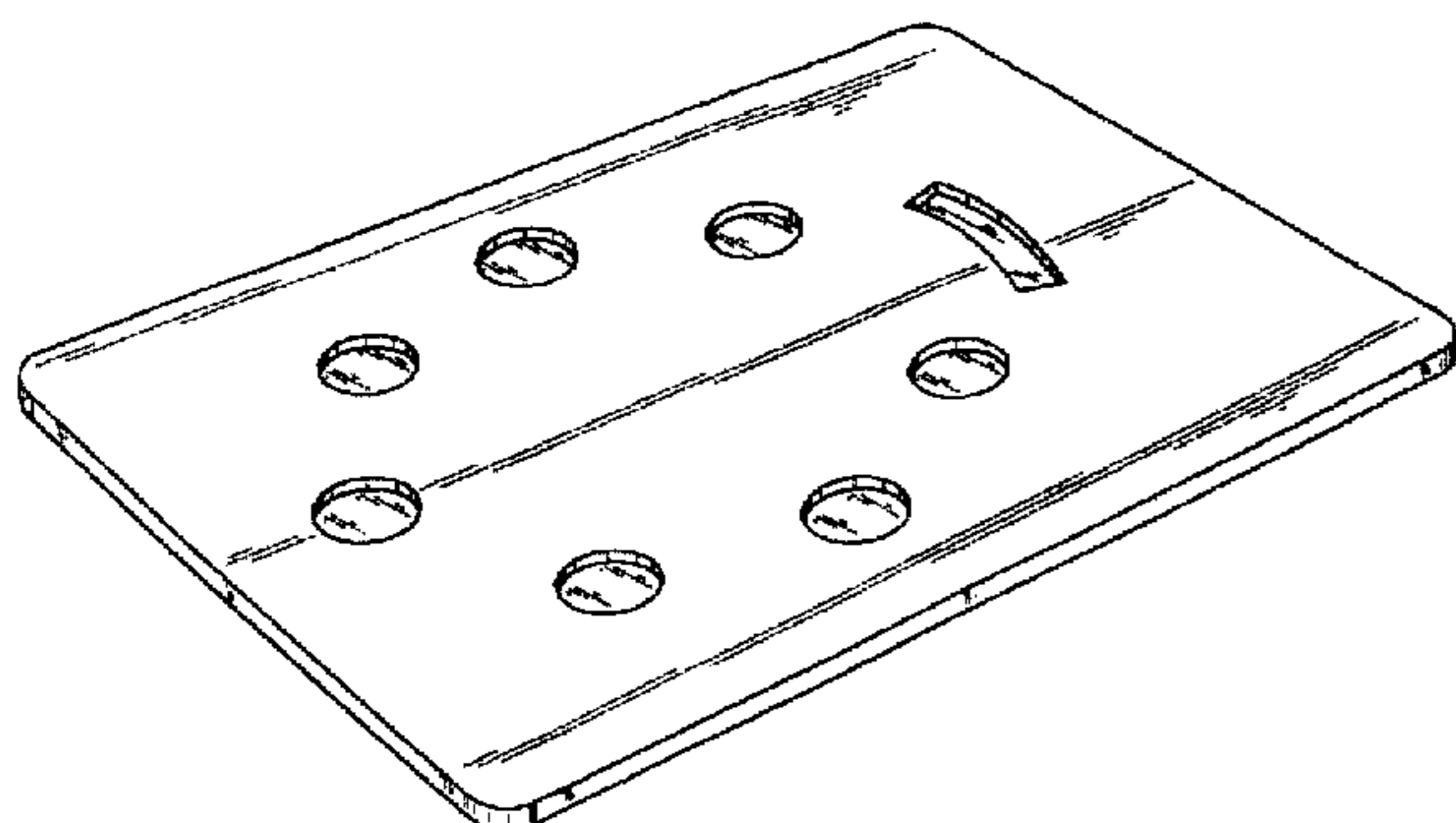
FIG. 9 is a bottom, right and front side view of a fifth embodiment of FIG. 1;

FIG. 10 is a top, right and rear view of FIG. 9;

FIG. 11 is a bottom, right and front side view of a sixth embodiment of FIG. 1; and,

FIG. 12 is a top, right and rear view of FIG. 11.

1 Claim, 6 Drawing Sheets



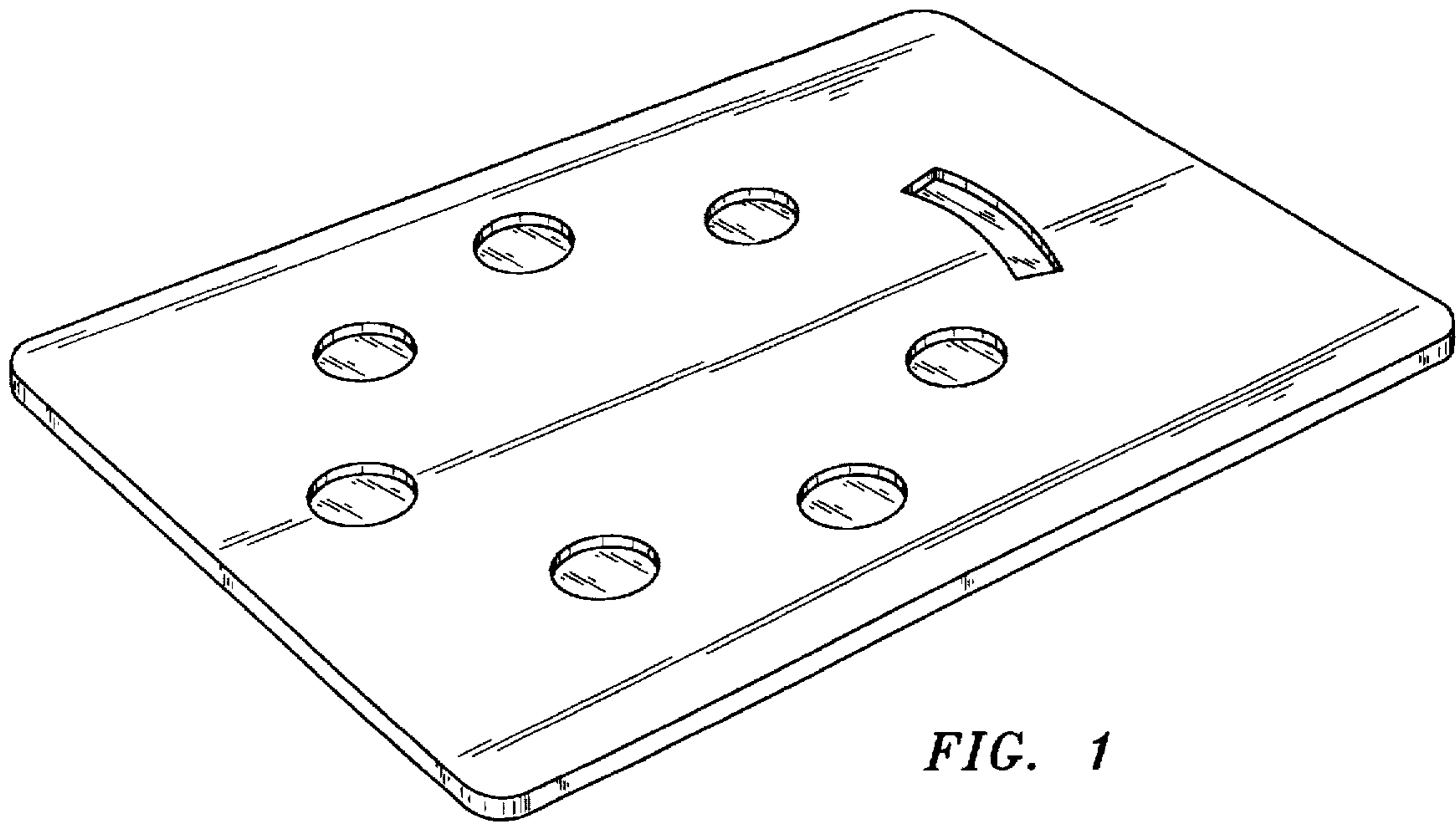


FIG. 1

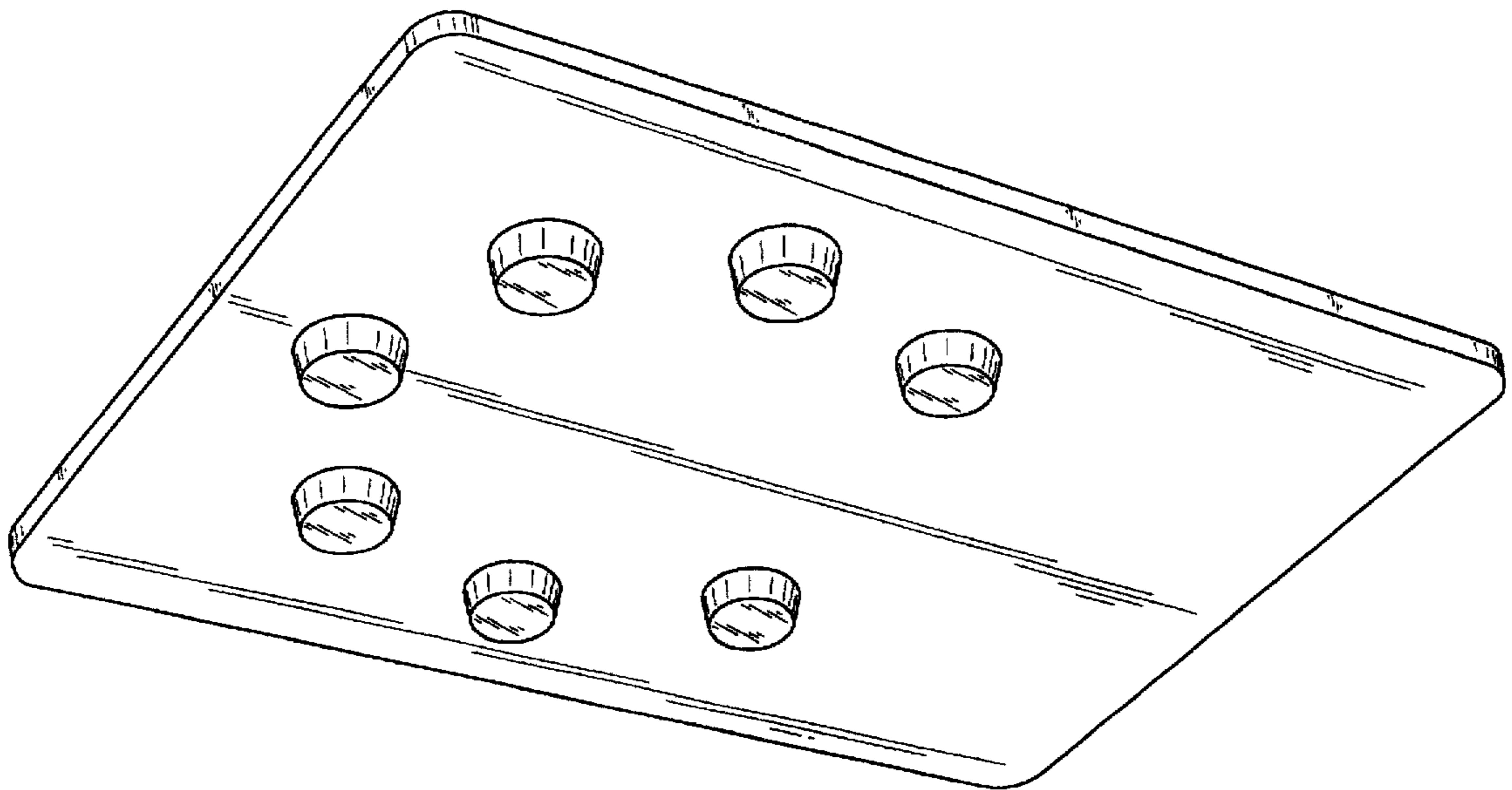


FIG. 2

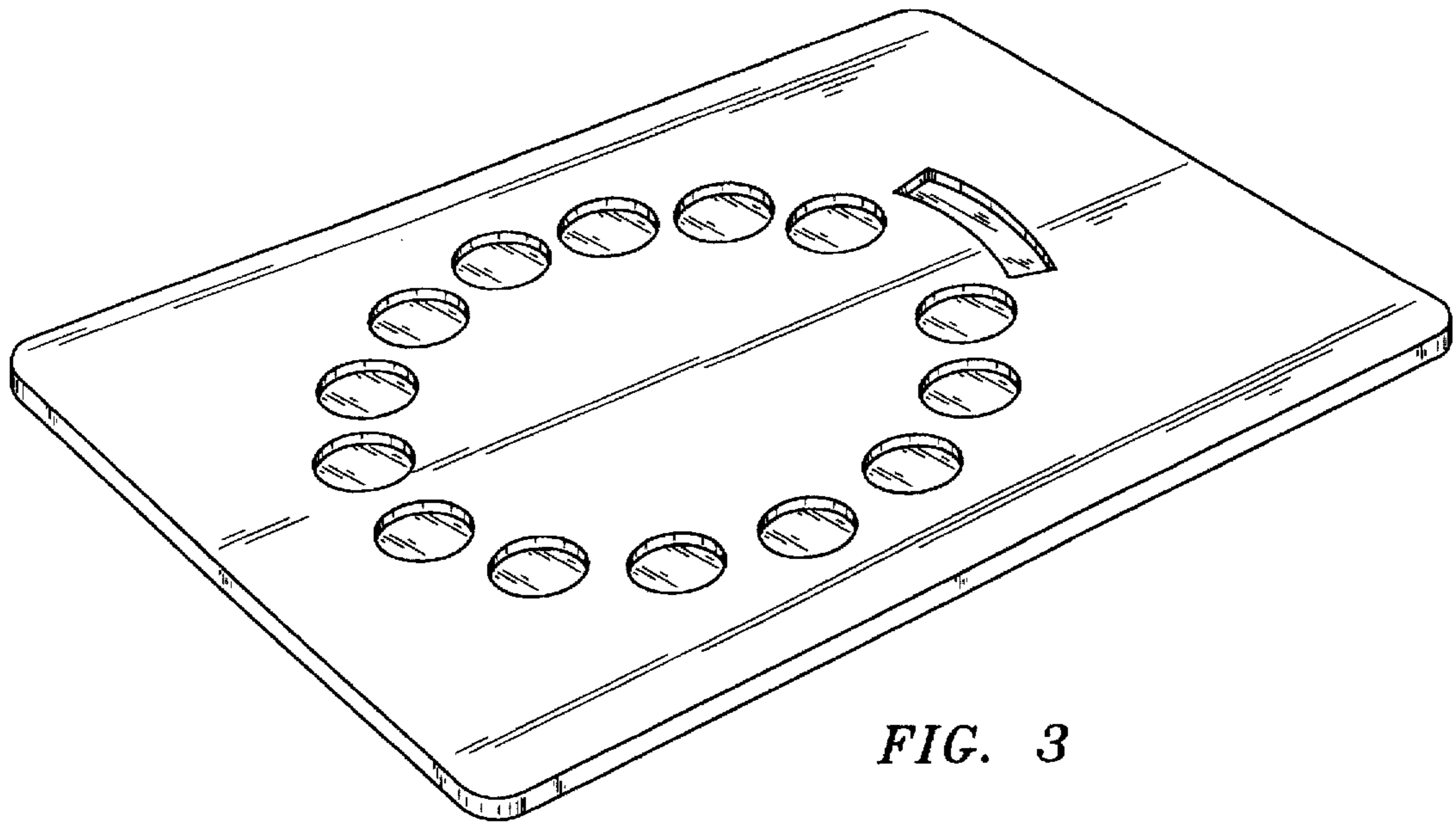


FIG. 3

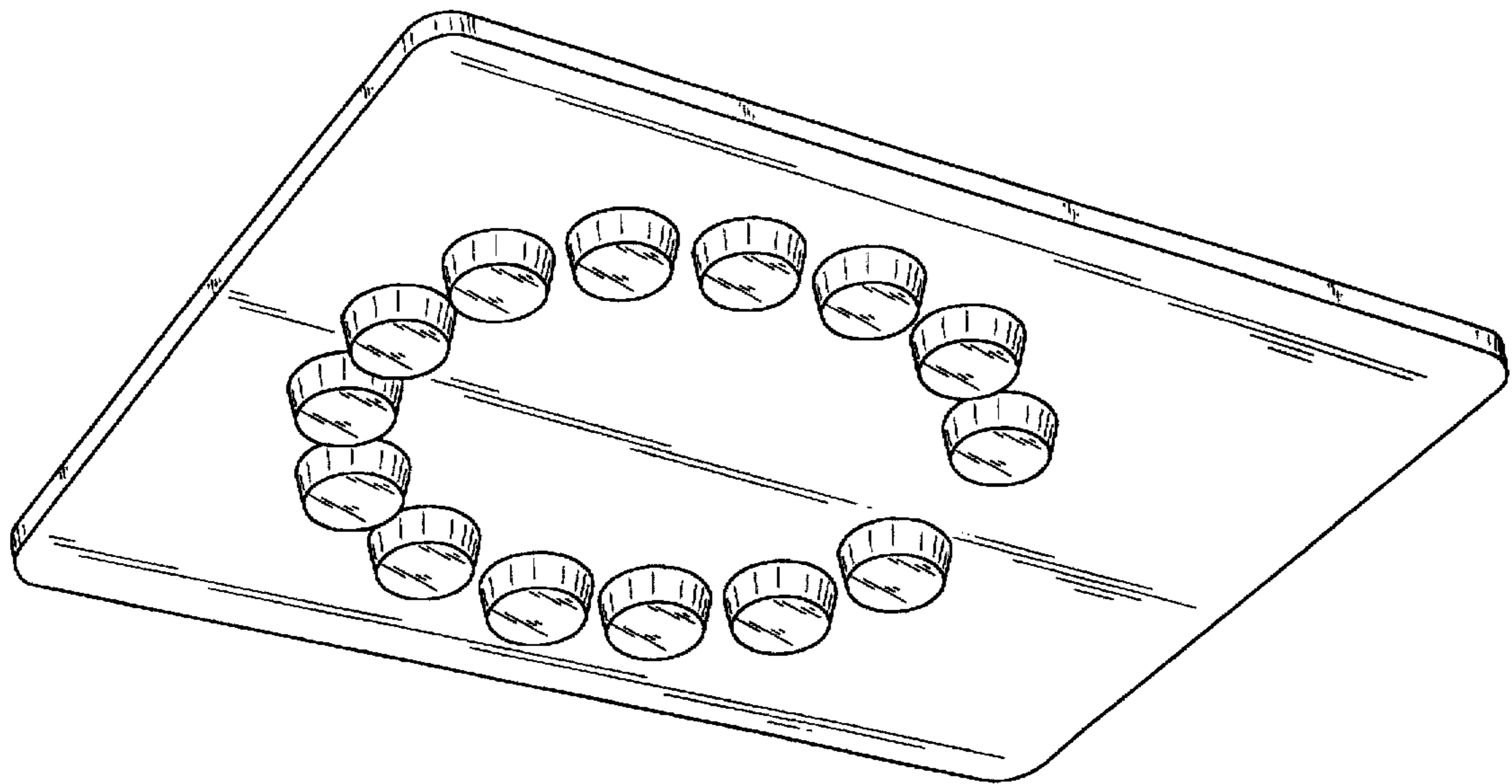


FIG. 4

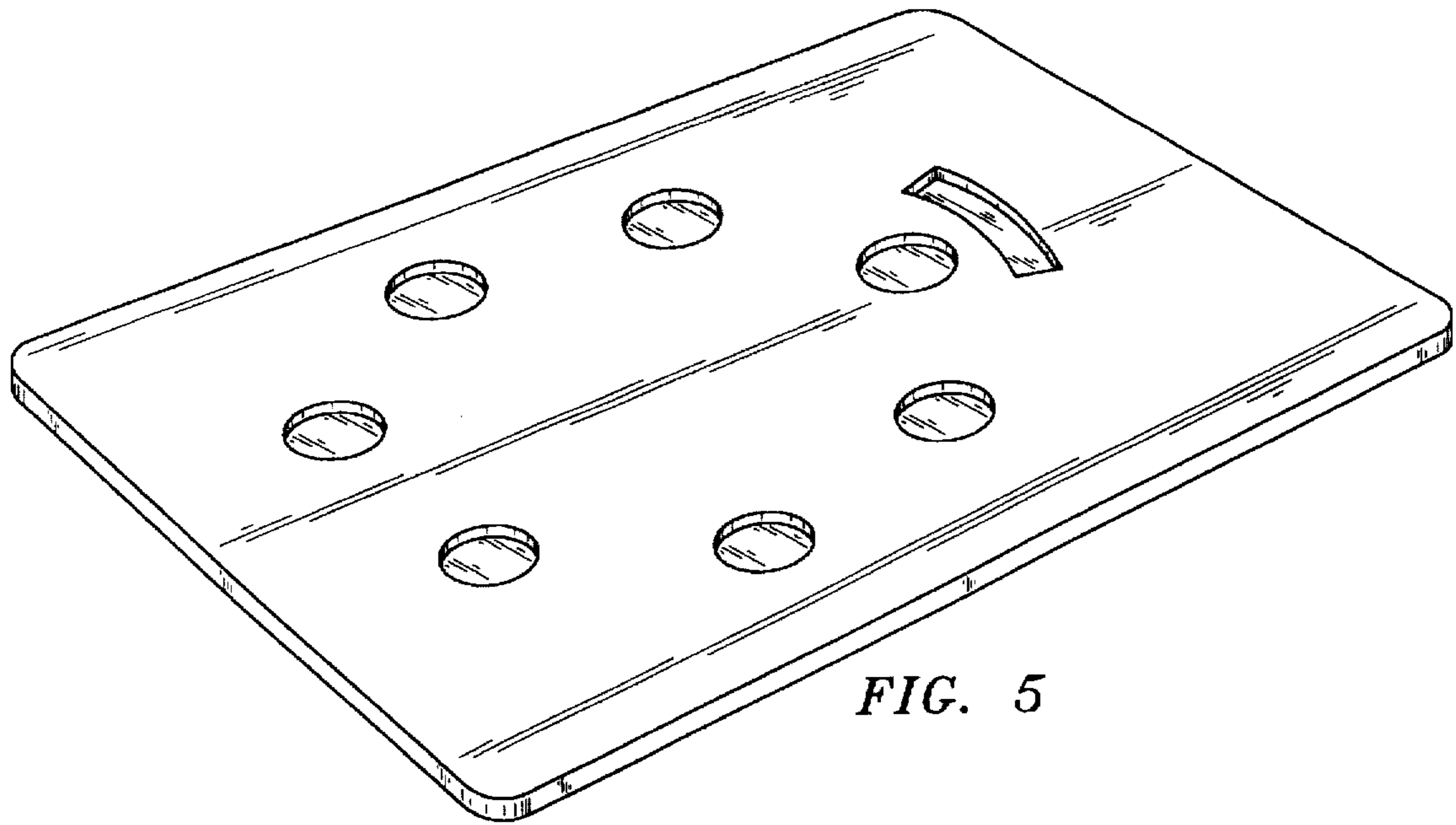


FIG. 5

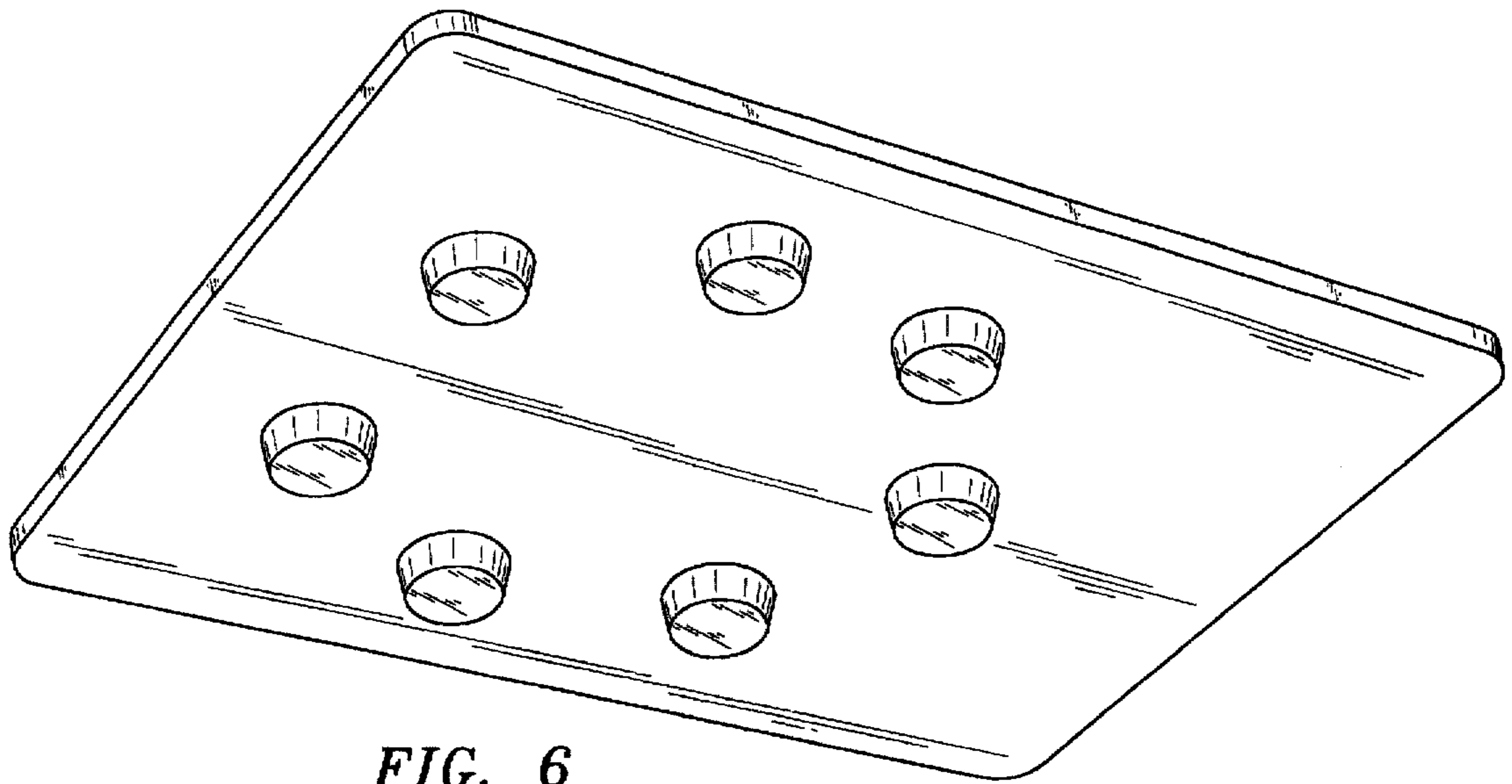


FIG. 6

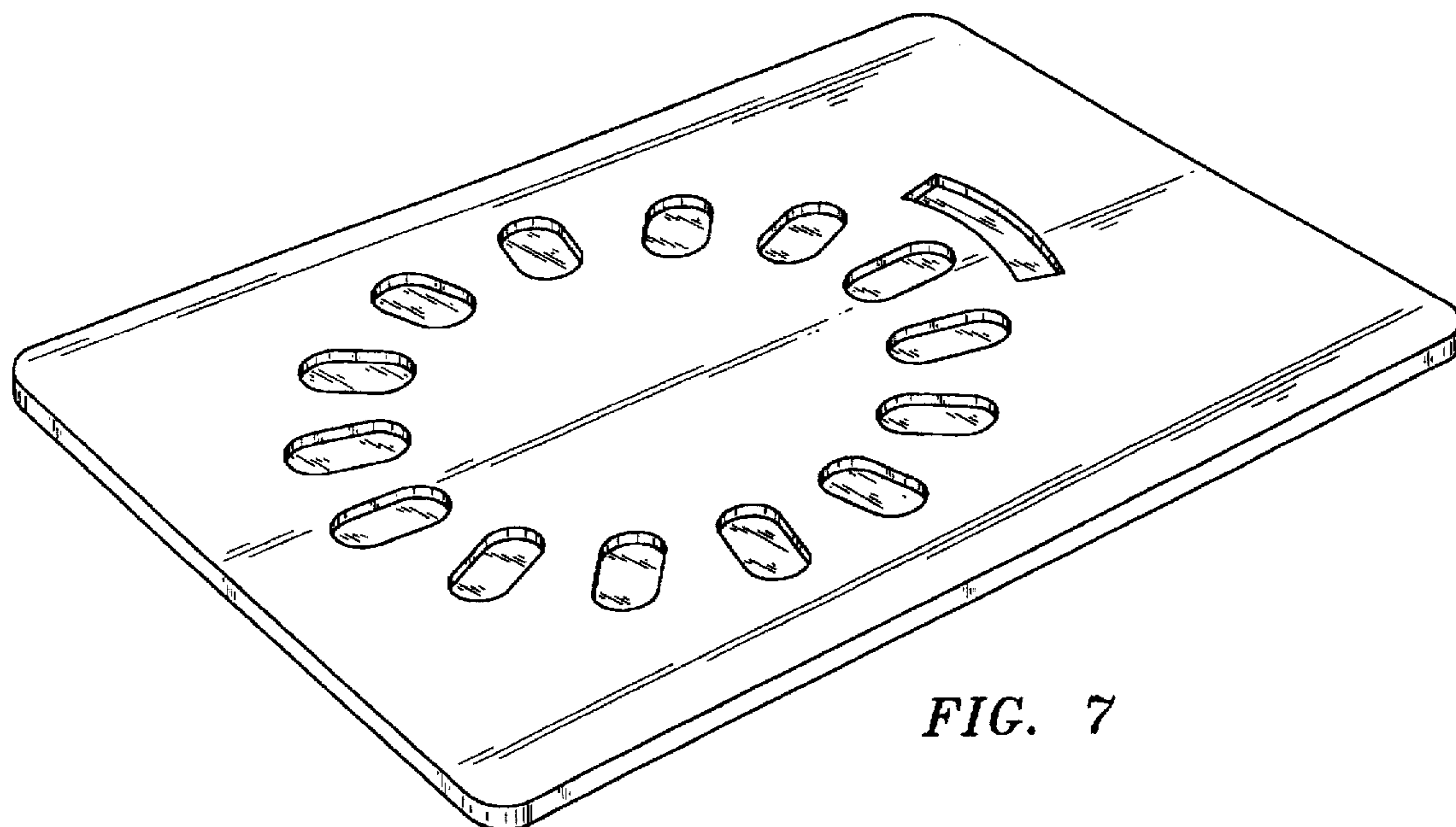


FIG. 7

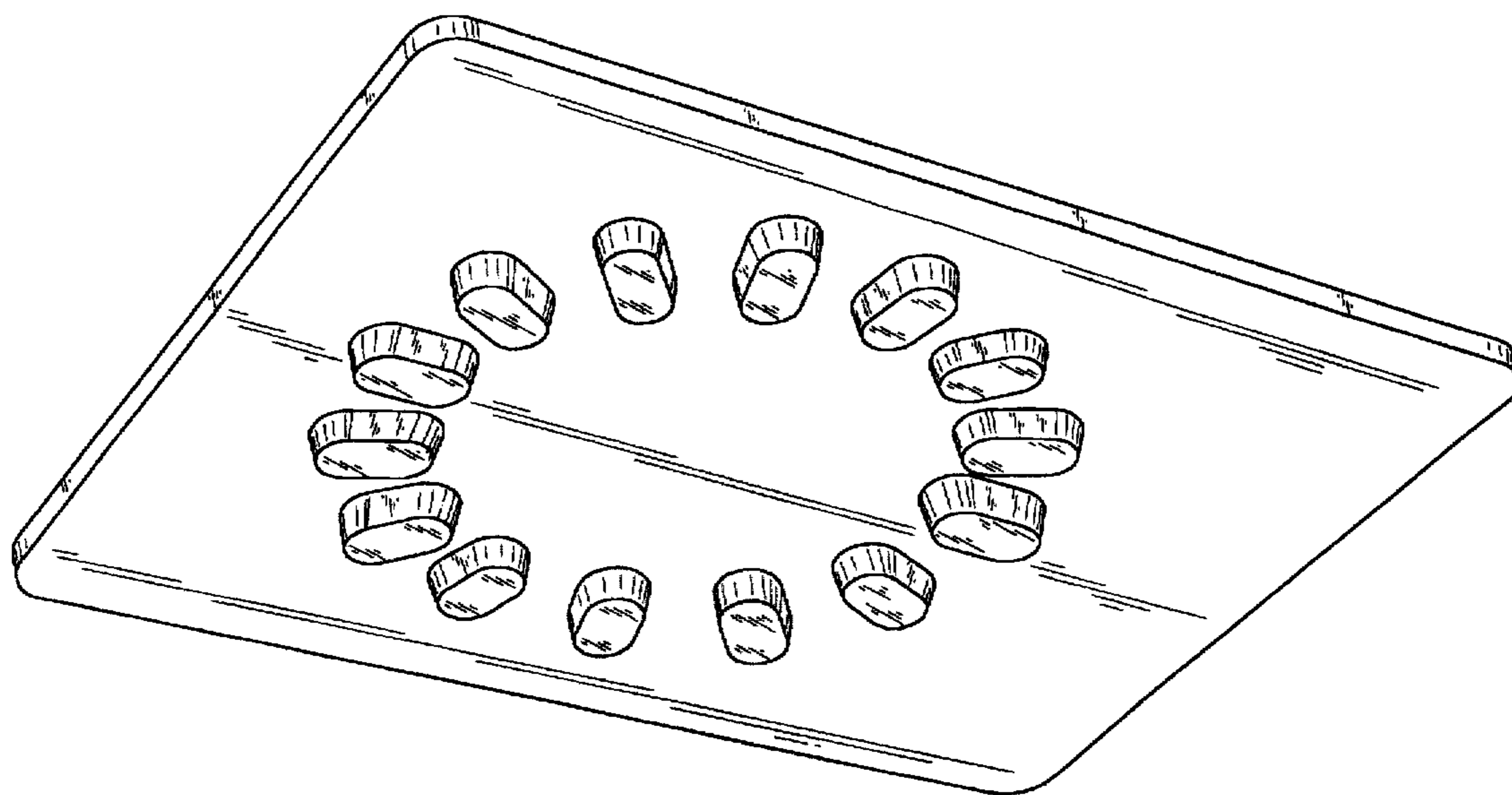


FIG. 8

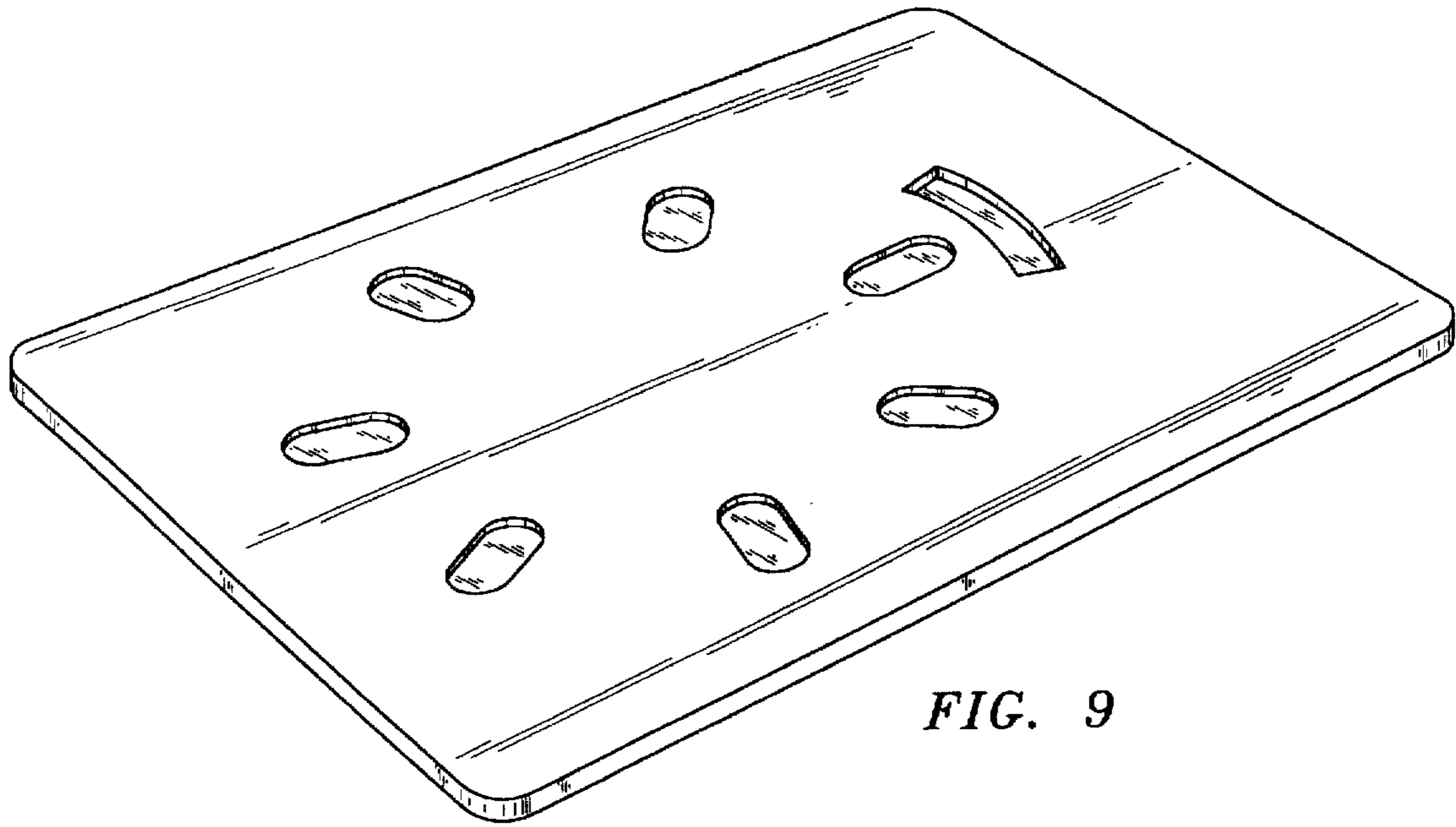


FIG. 9

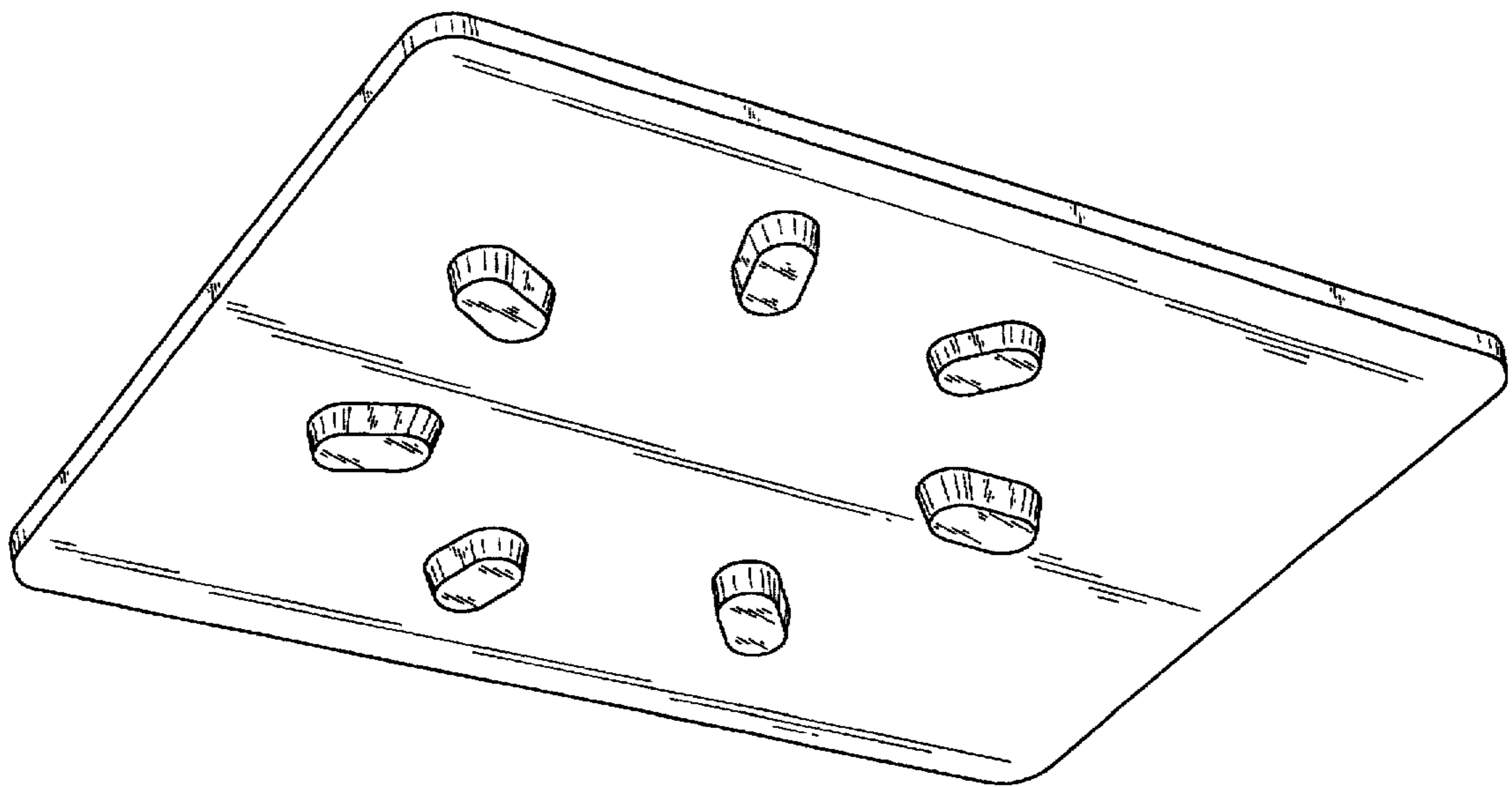


FIG. 10

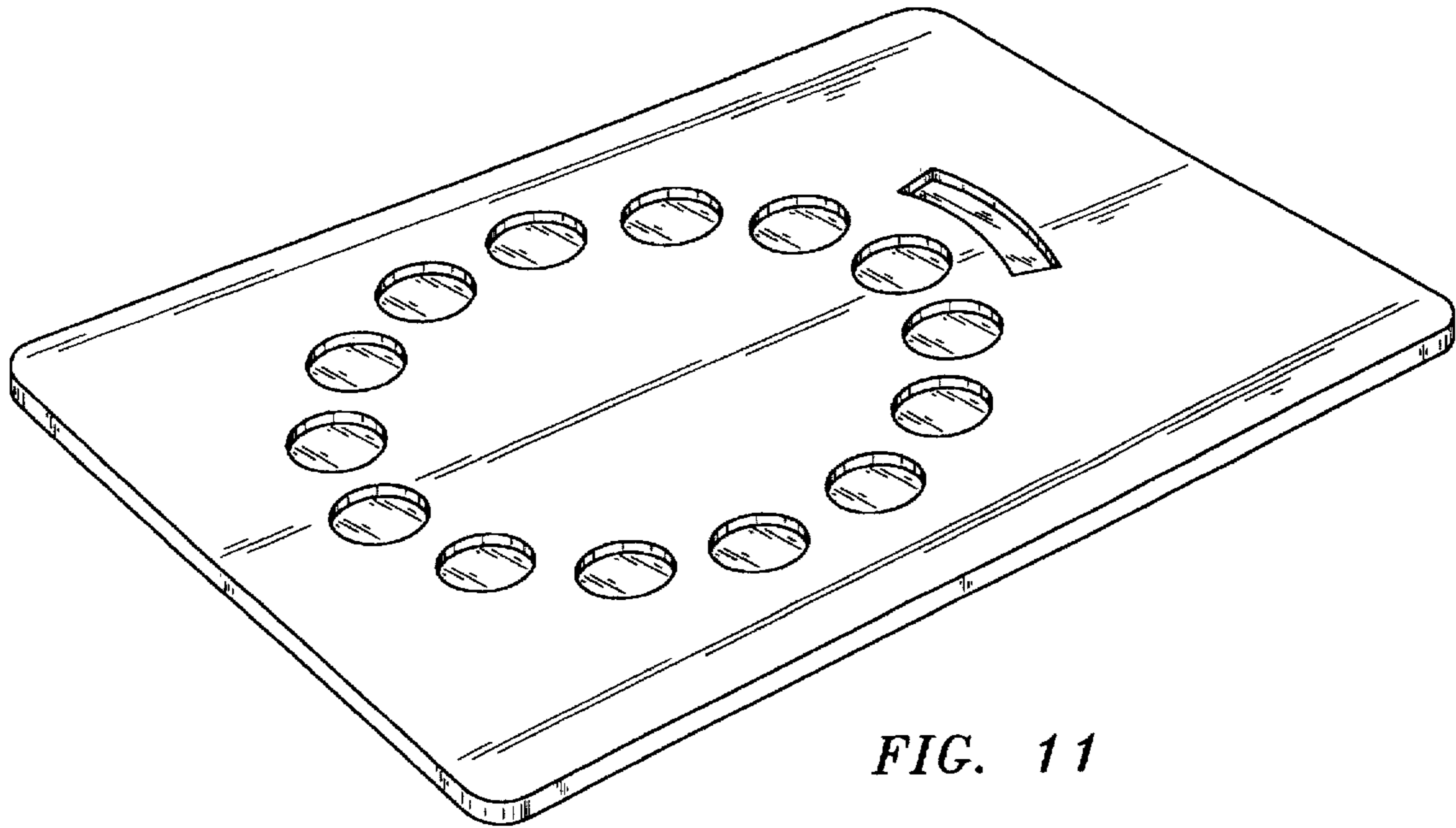


FIG. 11

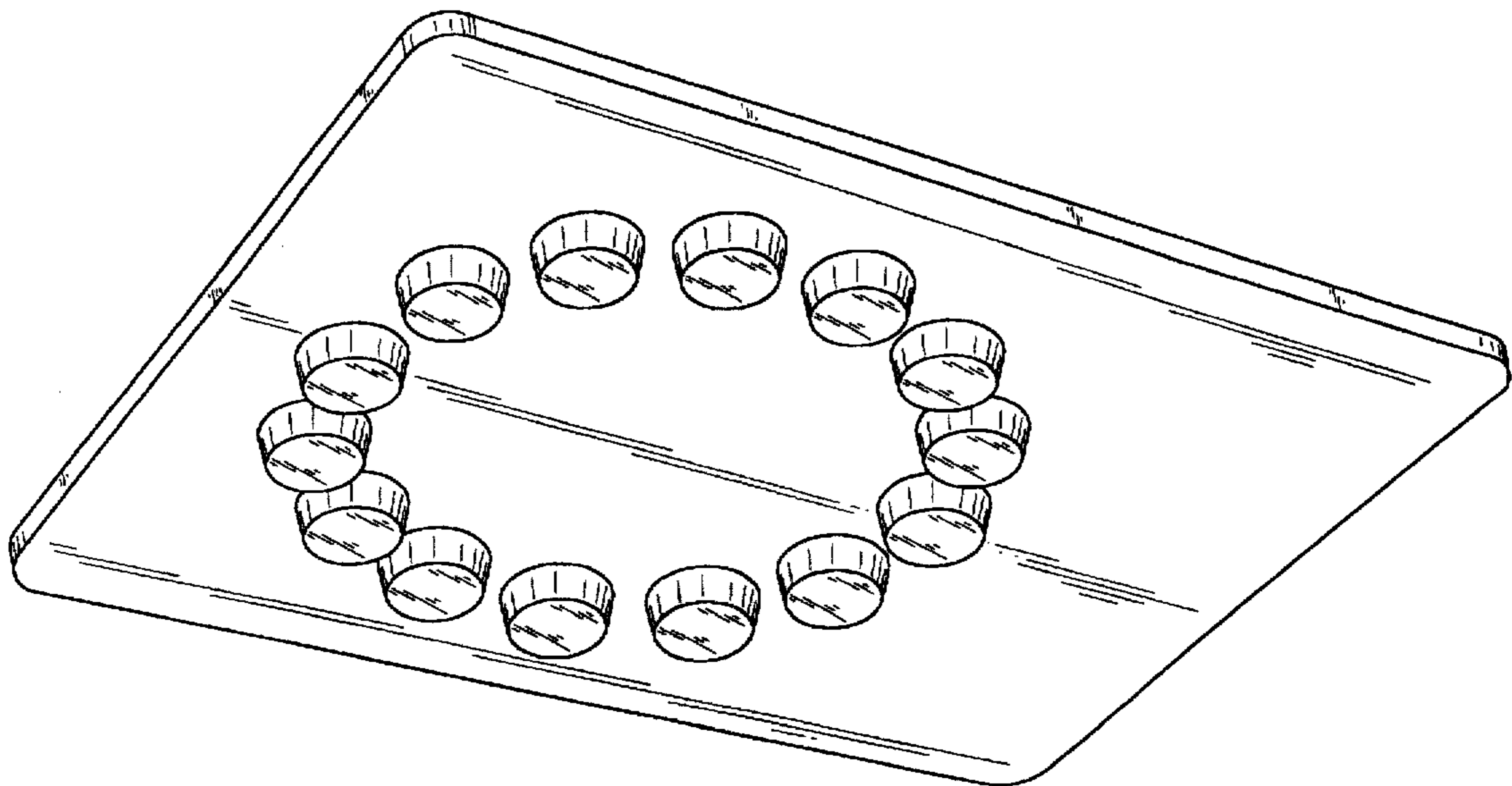


FIG. 12