



US00D392558S

United States Patent [19]
Monaghan

[11] **Patent Number: Des. 392,558**
[45] **Date of Patent: **Mar. 24, 1998**

[54] **SPRAY BOTTLE WITH THREE TIERED SPRAYER**

4,249,676 2/1981 Beery 222/321.9
4,322,020 3/1982 Stone 222/105 X

[75] **Inventor: Robert Monaghan, London, England**

[73] **Assignee: Reckitt & Colman Products Limited, London, United Kingdom**

[**] **Term: 14 Years**

[21] **Appl. No.: 59,900**

[22] **Filed: Sep. 17, 1996**

[51] **LOC (6) Cl. 09-01**

[52] **U.S. Cl. D9/300**

[58] **Field of Search D9/300, 338, 504, D9/522, 529, 572-575; 222/251, 320, 321.1, 321.7, 372, 383.1**

[56] **References Cited**

U.S. PATENT DOCUMENTS

D. 246,893 1/1978 Eron D9/300
D. 369,097 4/1996 Dinand D9/300 X
D. 372,872 8/1996 Crawford D9/522 X
D. 382,206 8/1997 Worthington et al. D9/529
D. 382,808 8/1997 Fenton et al. D9/522

OTHER PUBLICATIONS

“Beauty Fashion”, Elizabeth Arden Three Tiered Spray Cap, p. 7, Feb. 1989.

Primary Examiner—James Gandy
Assistant Examiner—Cathron B. Matta
Attorney, Agent, or Firm—Fish & Richardson P.C.

[57] **CLAIM**

The ornamental design for a spray bottle with three-tiered sprayer, as shown and described.

DESCRIPTION

FIG. 1 is a front elevational view of a spray bottle with three-tiered sprayer showing my new design;
FIG. 2 is a rear elevational view thereof;
FIG. 3 is a top plan view thereof;
FIG. 4 is a bottom plan view thereof;
FIG. 5 is a right side view thereof;
FIG. 6 is a left side view thereof;
FIG. 7 is a rear and right perspective view thereof; and,
FIG. 8 is a front and left perspective view thereof.

1 Claim, 2 Drawing Sheets

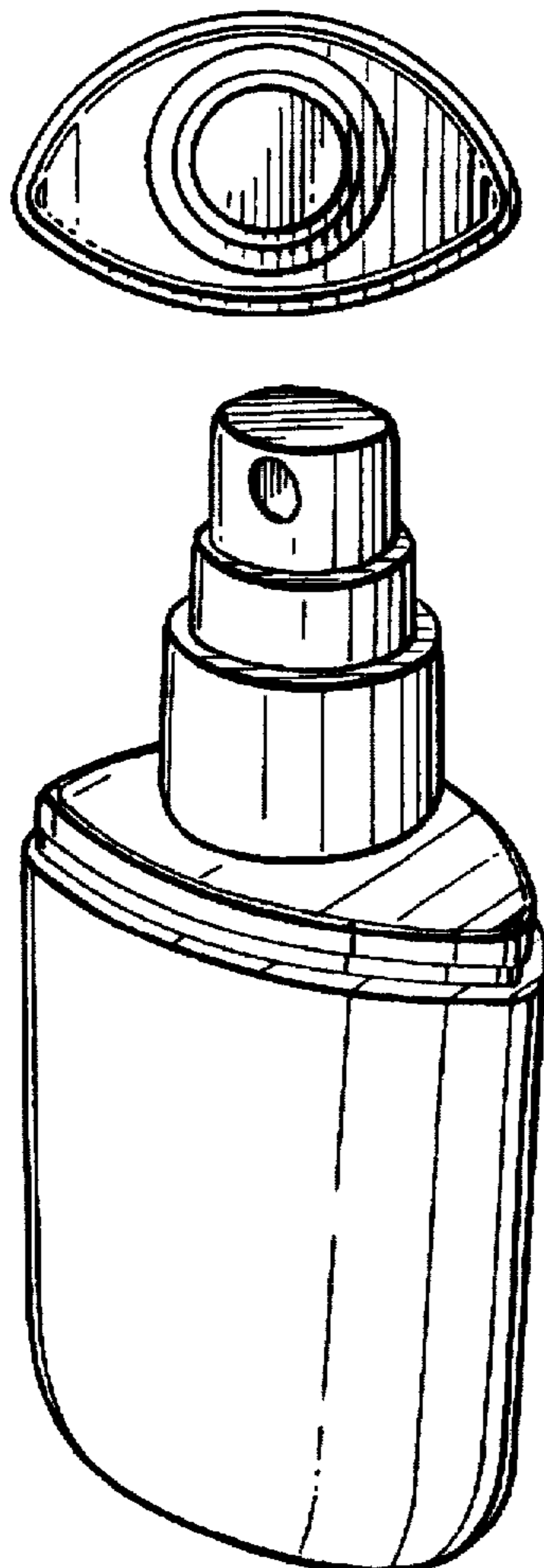


FIG. 1

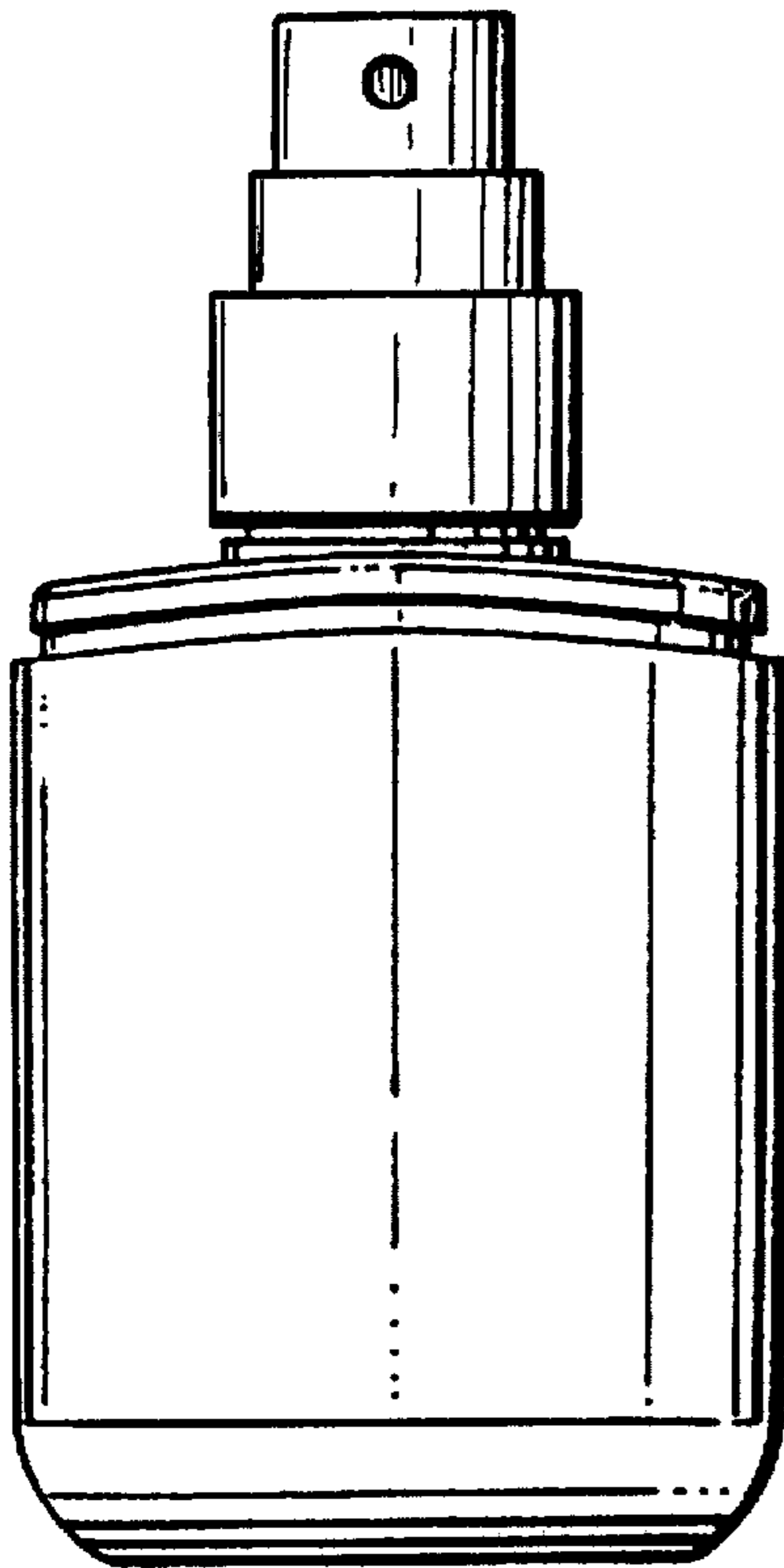


FIG. 2

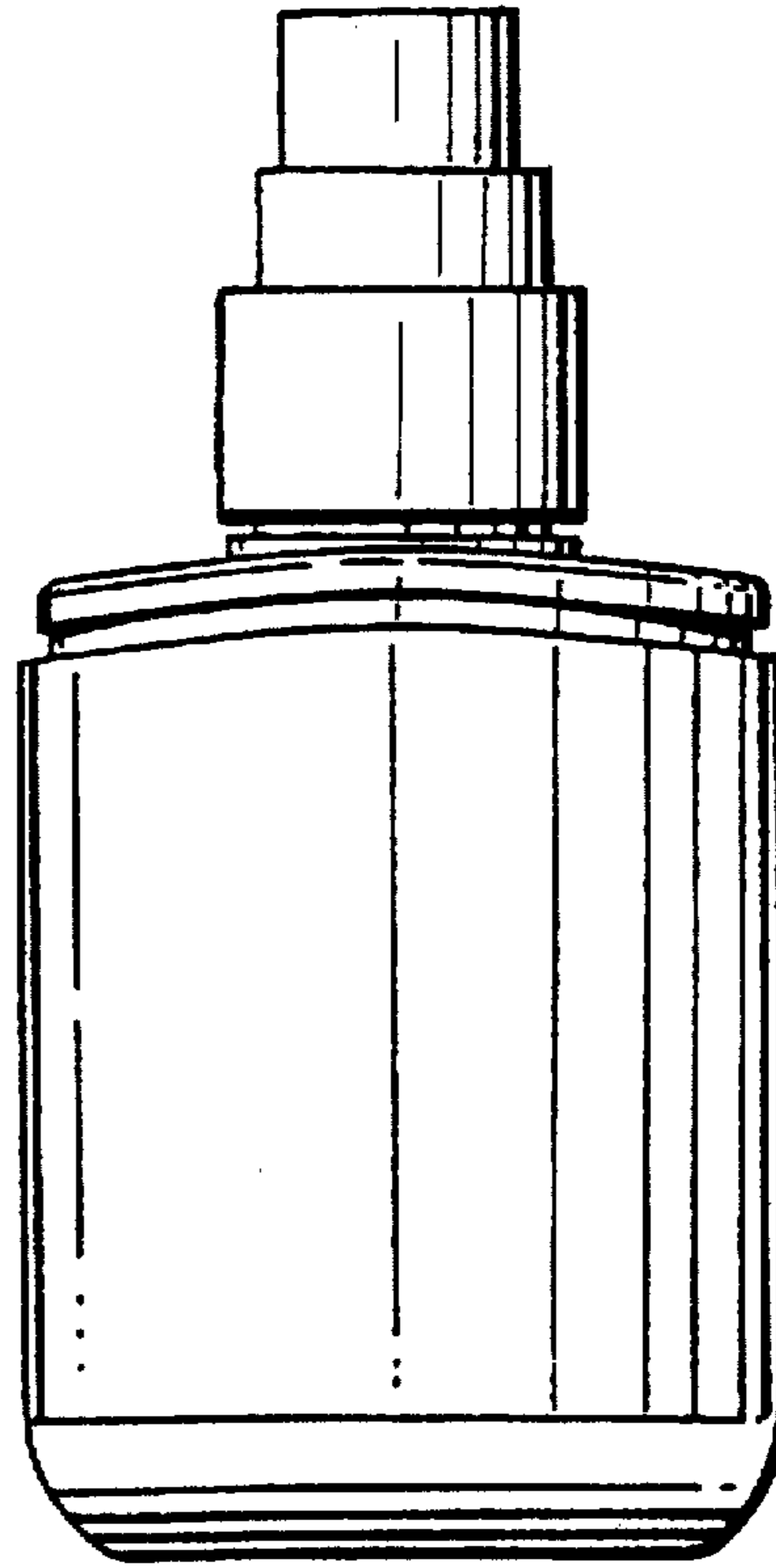


FIG. 3

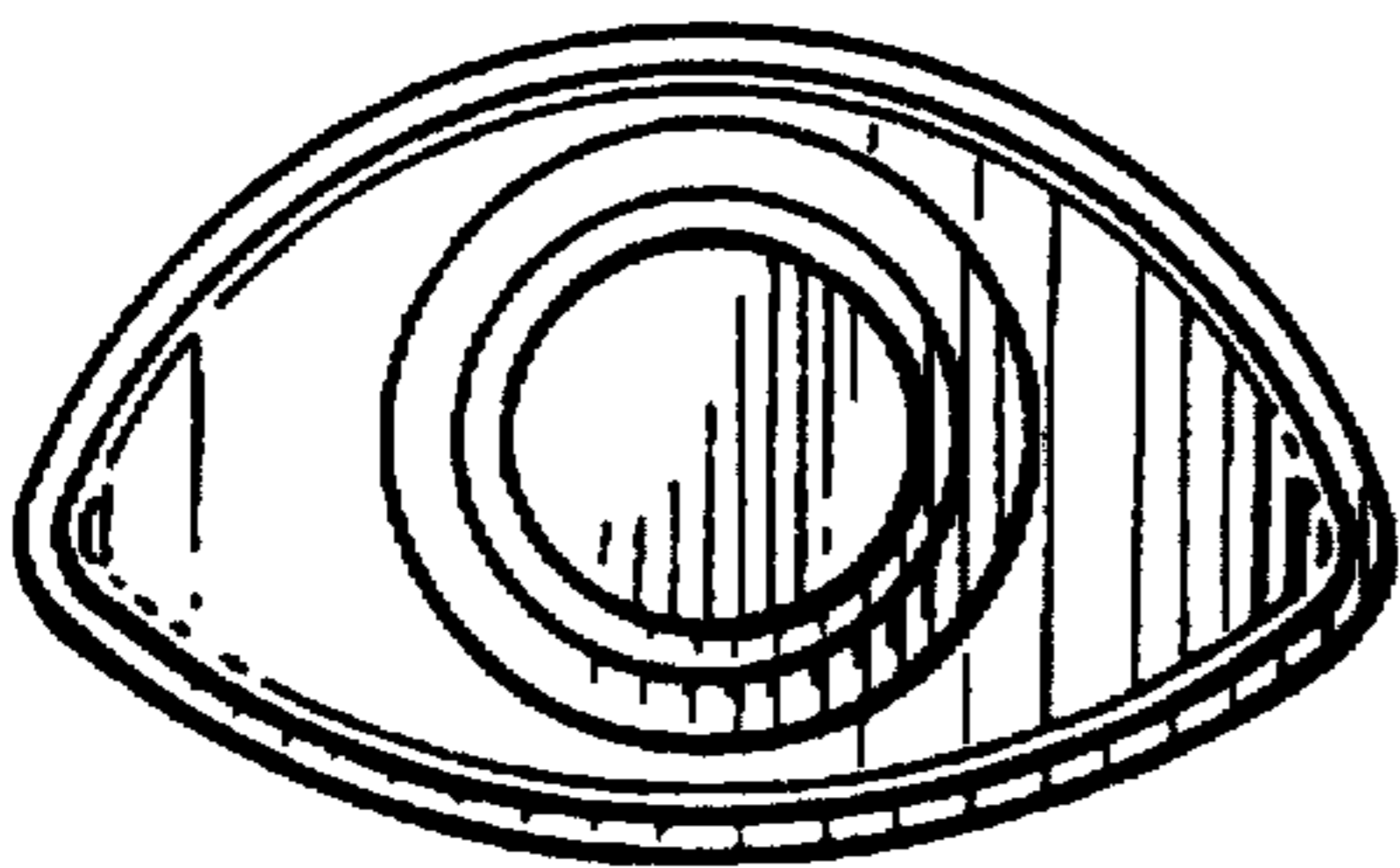


FIG. 4

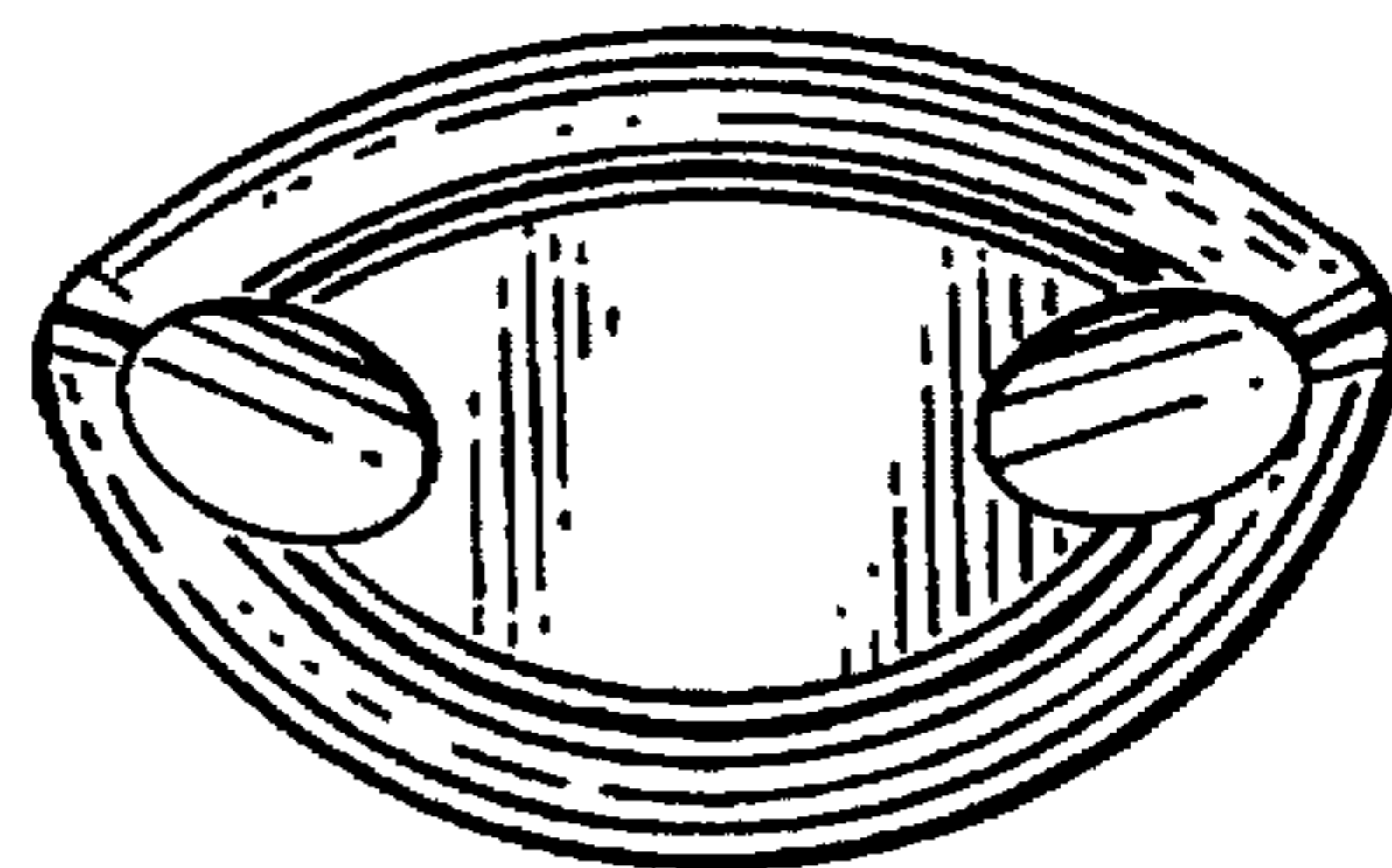


FIG. 8

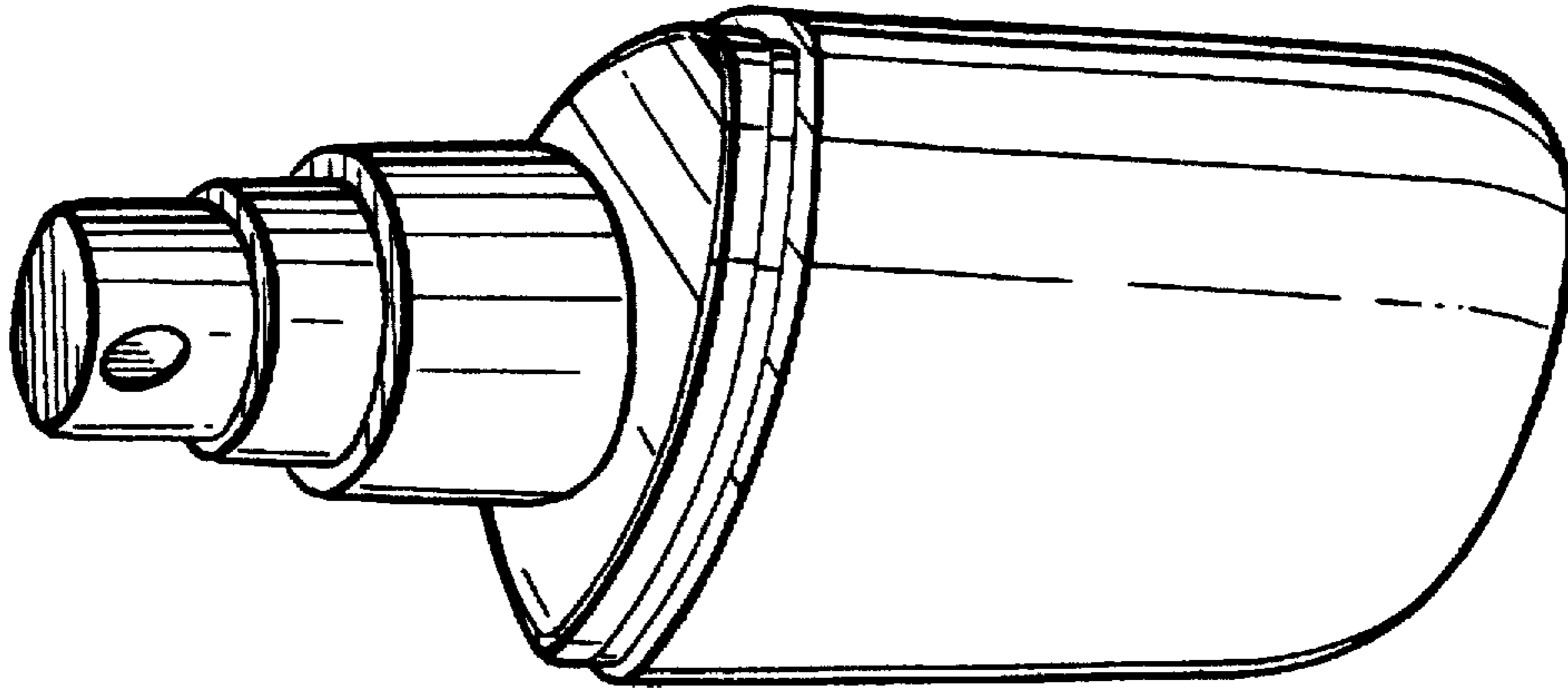


FIG. 7

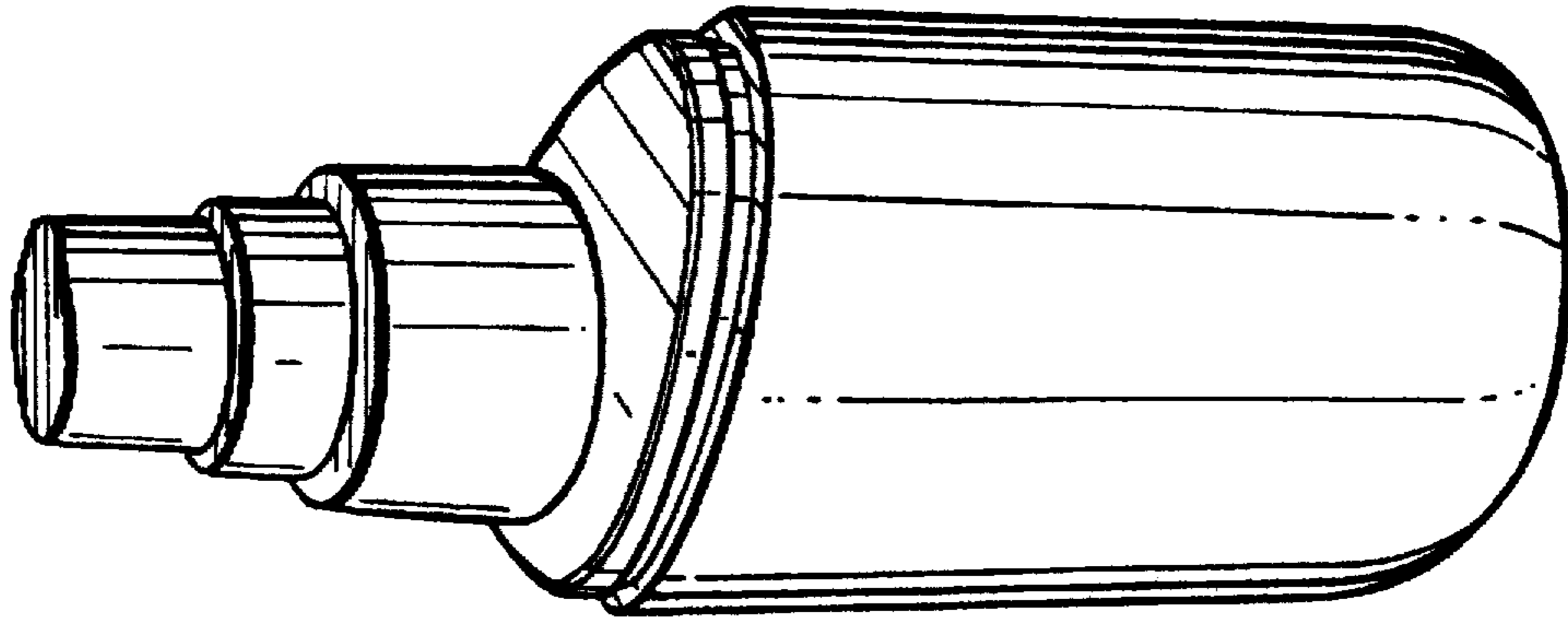


FIG. 6

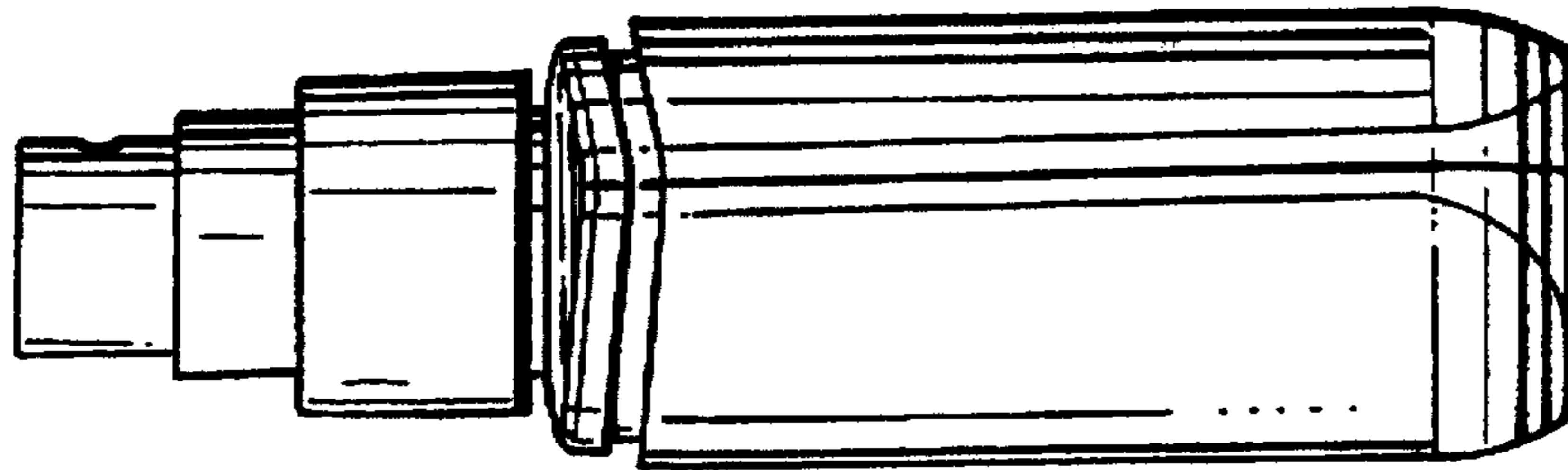
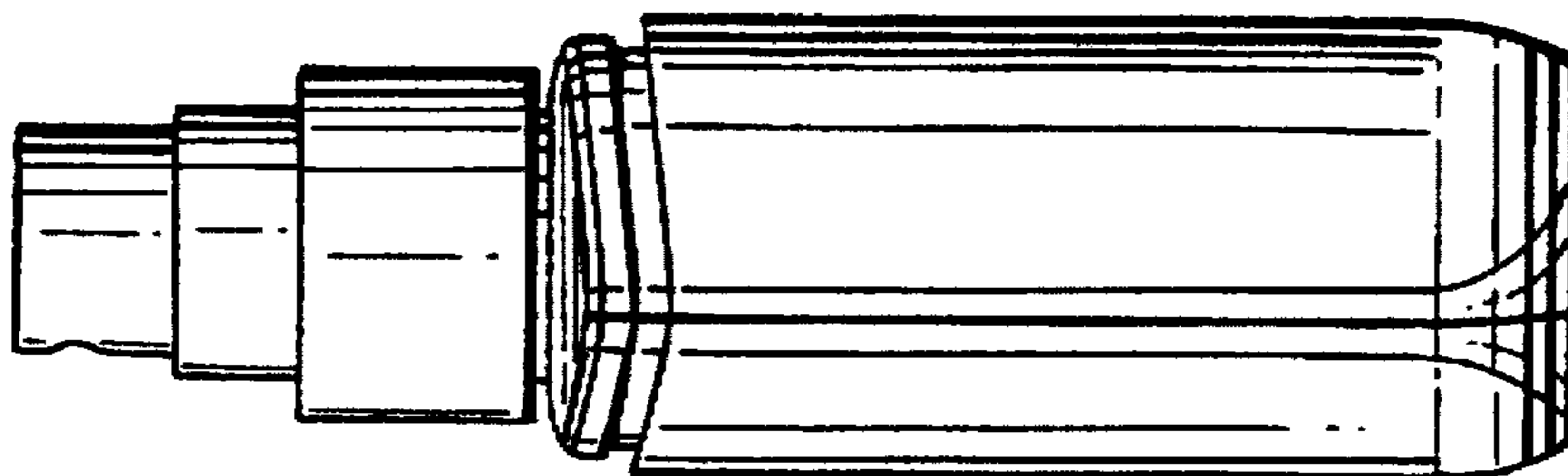


FIG. 5



**UNITED STATES PATENT AND TRADEMARK OFFICE
CERTIFICATE OF CORRECTION**

PATENT NO. : Des. 392,558
DATED : March 24, 1998
INVENTOR(S) : Robert MONAGHAN

It is certified that error appears in the above-identified patent and that said Letters Patent is hereby corrected as shown below:

Title page, item [30]

Foreign Application Priority Data

22 March 1996 [GB] United Kingdom.....2055045

on the cover page of the issued patent.

Signed and Sealed this
Second Day of June, 1998

Attest:



BRUCE LEHMAN

Attesting Officer

Commissioner of Patents and Trademarks