



US00D392555S

United States Patent [19]

Glickman et al.

[11] Patent Number: Des. 392,555

[45] Date of Patent: **Mar. 24, 1998

[54] CONNECTOR WITH ROD SOCKET AND BALL

[75] Inventors: **Joel L. Glickman**, Huntingdon Valley; **Matthew Dickinson**, Hatfield; **Robert Gleim**, Royersford; **John Zimmer**, Lansdale, all of Pa.

[73] Assignee: **Connector Set Limited Partnership**, Hatfield, Pa.

[**] Term: **14 Years**

[21] Appl. No.: **64,507**

[22] Filed: **Jan. 3, 1997**

[51] LOC (6) Cl. **08-08**

[52] U.S. Cl. **D8/382; D8/395; D21/108**

[58] Field of Search **D8/382; D21/108; 446/116, 120, 121, 124; 403/76, 122; 211/182, 183**

[56] References Cited

U.S. PATENT DOCUMENTS

- D. 290,484 6/1987 Yoke .
- D. 308,553 6/1990 Canavesi .
- D. 345,401 3/1994 Kennedy et al. .
- D. 349,313 8/1994 Delaney et al. .
- D. 371,174 6/1996 Tsai .
- 1,746,839 2/1930 Main et al. .
- 1,868,049 7/1932 Deichmann .
- 2,662,335 12/1953 Calverley .
- 3,221,439 12/1965 Schaper 446/120

- 4,274,224 6/1981 Pugh et al. .
- 4,548,590 10/1985 Green 446/116
- 4,606,618 8/1986 Geller .
- 4,617,001 10/1986 Parein 446/120
- 4,680,019 7/1987 Baerenwald et al. .
- 4,790,789 12/1988 Mathis .
- 4,968,282 11/1990 Robson et al. .
- 4,988,324 1/1991 Ryaa et al. .
- 5,044,960 9/1991 De Porteous .
- 5,172,534 12/1992 Milner 446/120
- 5,350,331 9/1994 Glickman .
- 5,456,625 10/1995 Dumond .

Primary Examiner—B. J. Bullock

Attorney, Agent, or Firm—Schweitzer Cornman Gross & Bondell LLP

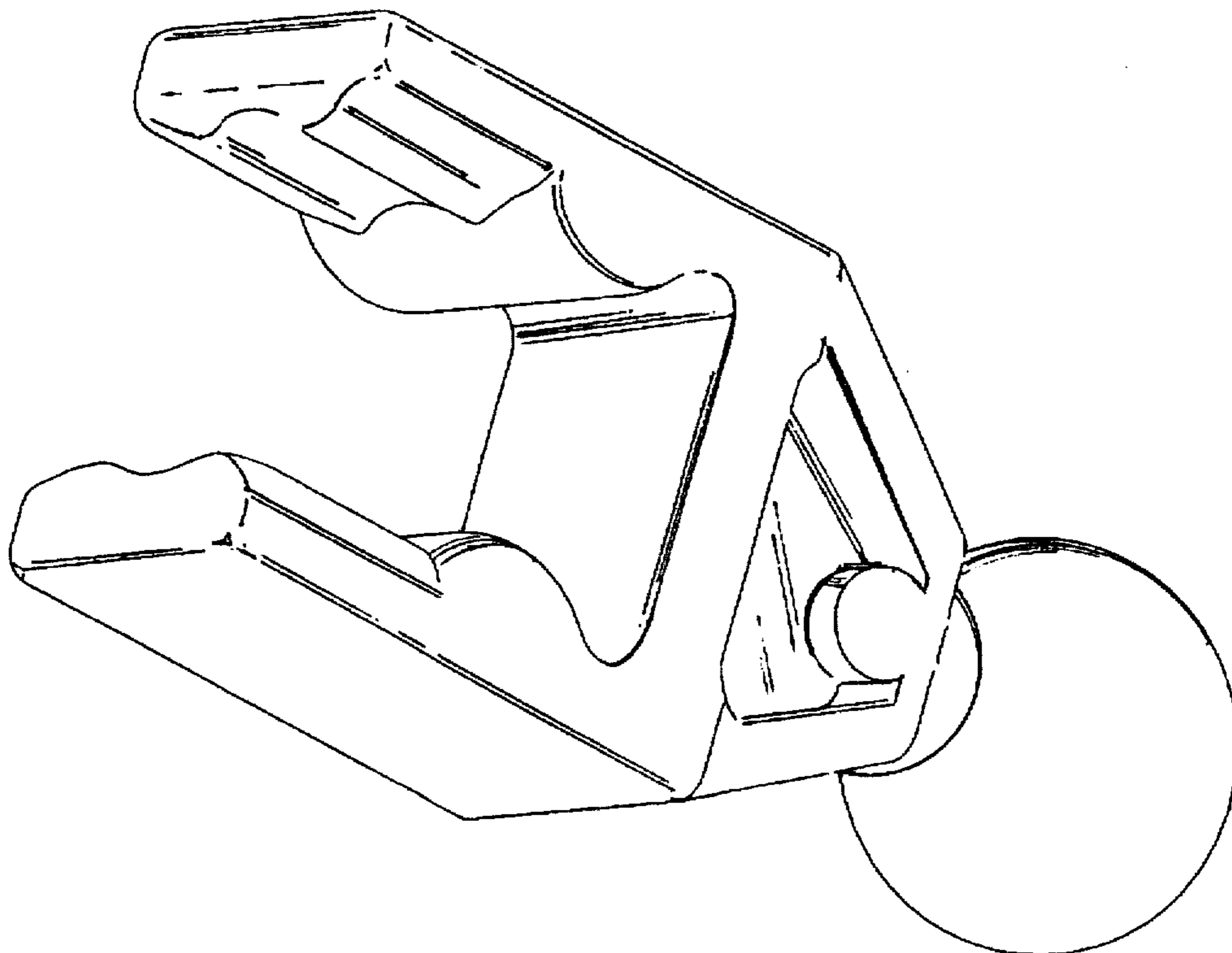
[57] CLAIM

The ornamental design for a connector with rod socket and ball, as shown and described.

DESCRIPTION

FIG. 1 is a side elevational view of a connector with rod socket and ball;
 FIG. 2 is an end elevational view thereof from the ball end;
 FIG. 3 is a top plan view thereof;
 FIG. 4 is an end elevational view thereof from the rod socket end;
 FIG. 5 is an enlarged bottom perspective view thereof from the ball socket end; and
 FIG. 6 is an enlarged top perspective view thereof from the rod socket end.

1 Claim, 2 Drawing Sheets



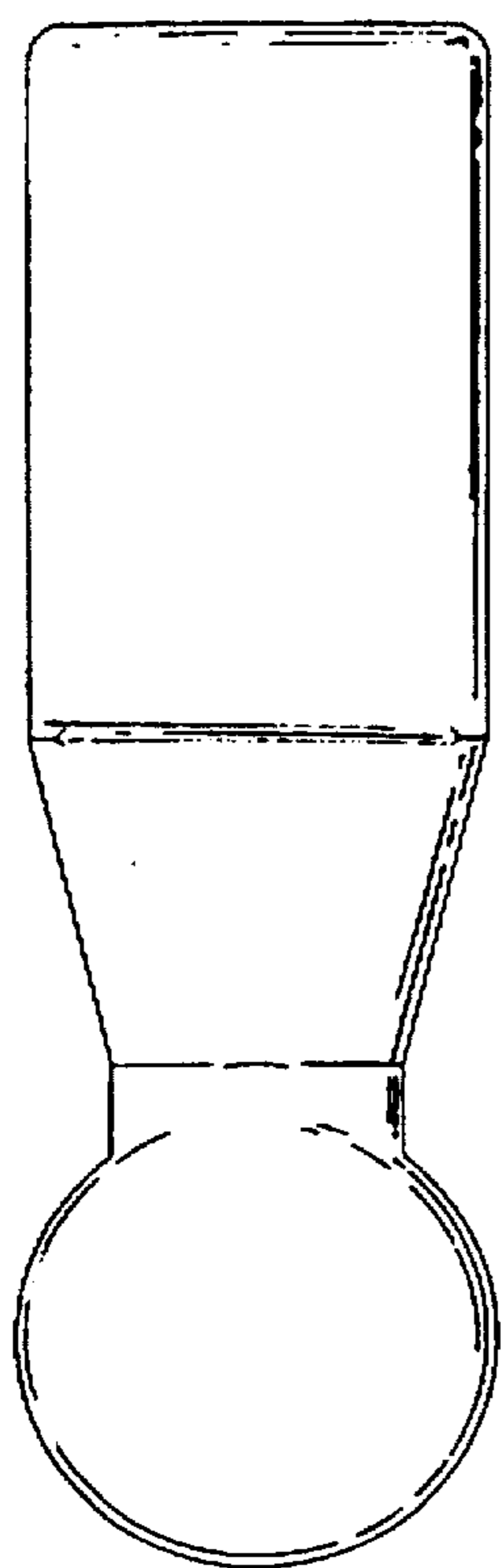


figure 1

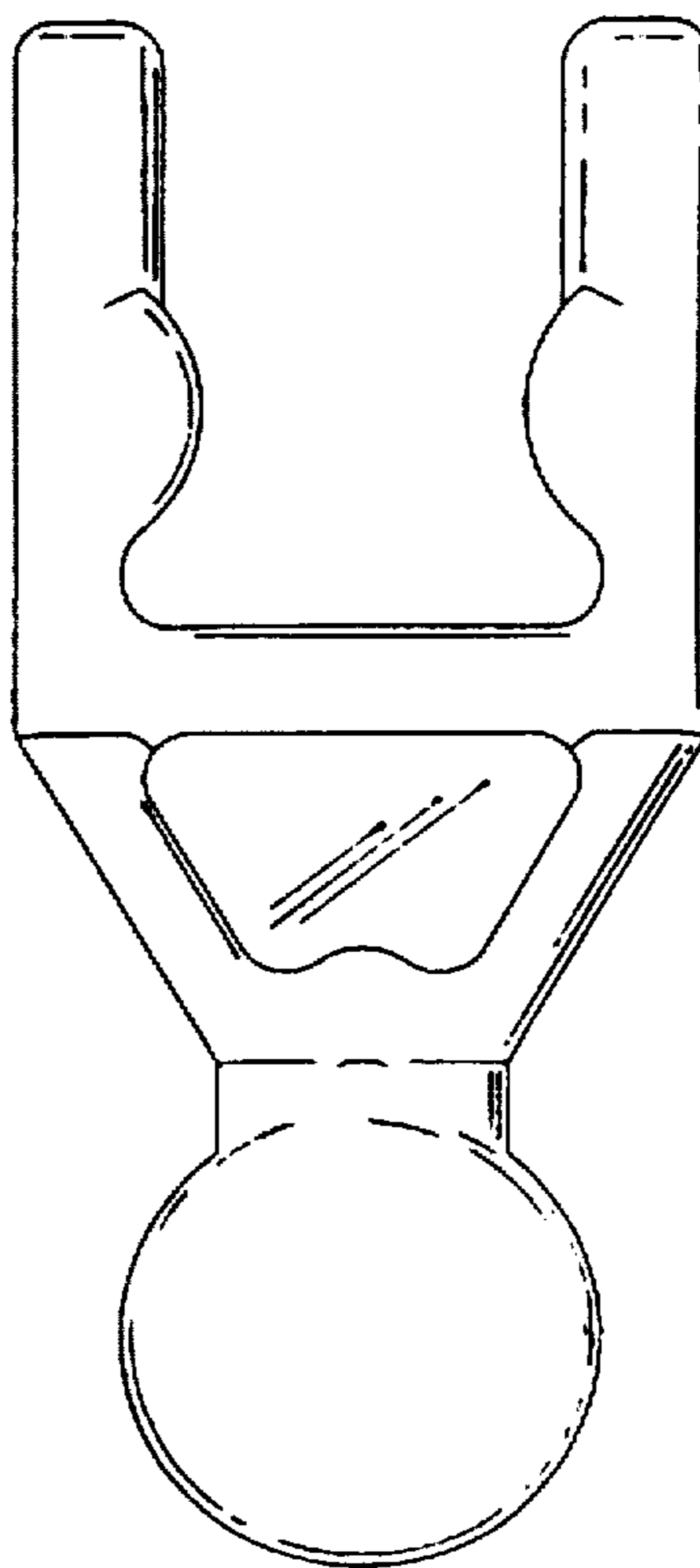


figure 3

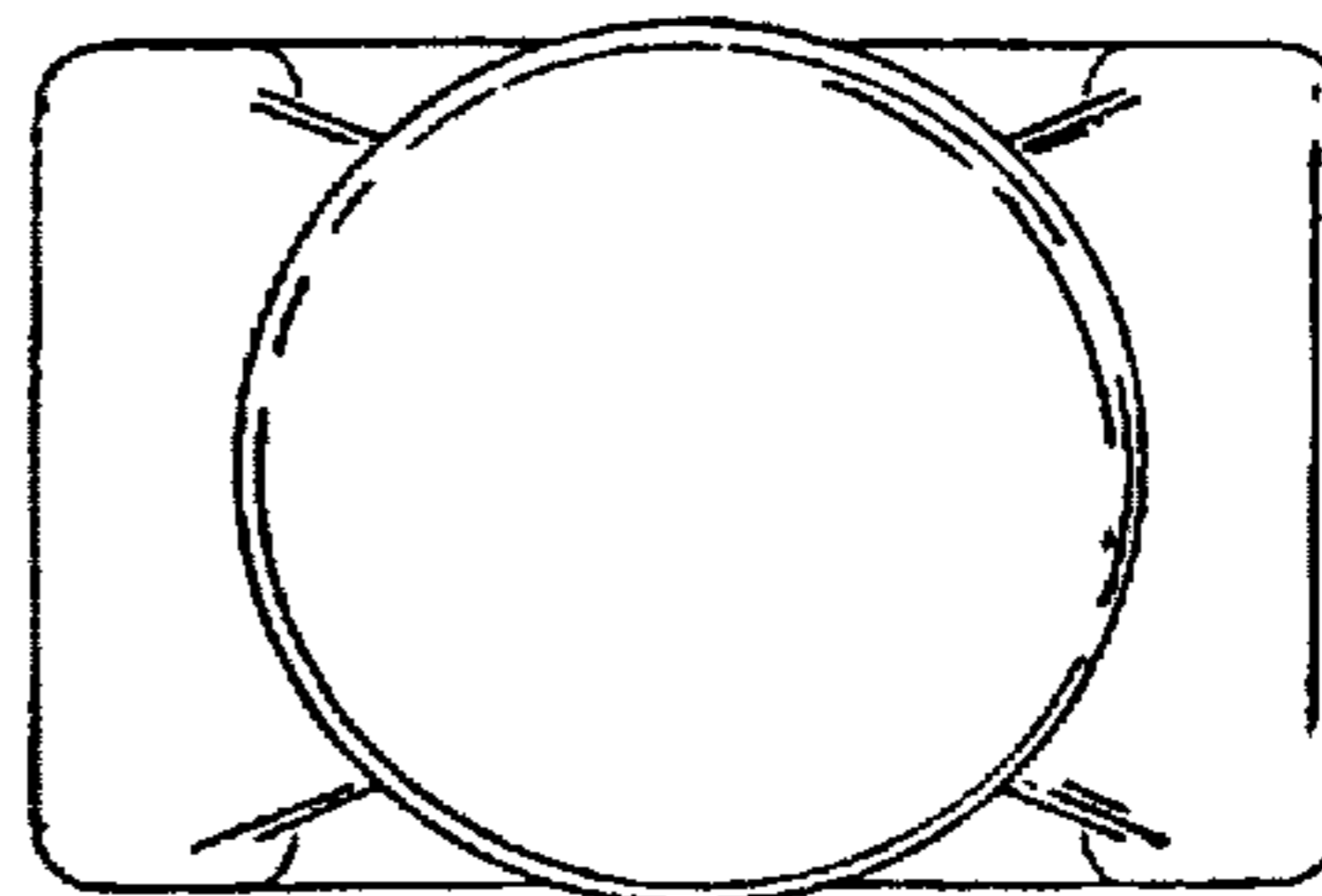


figure 2

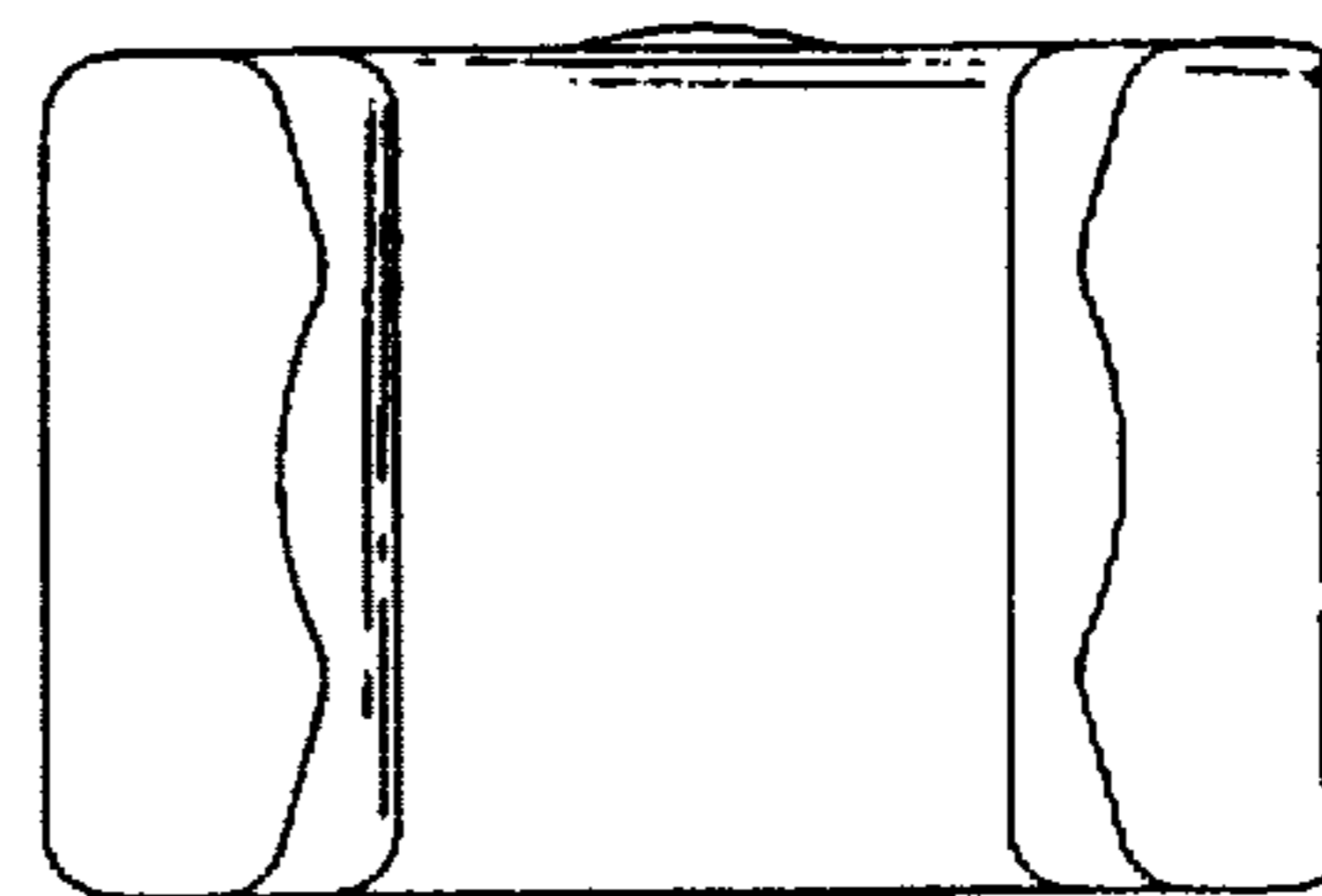


figure 4

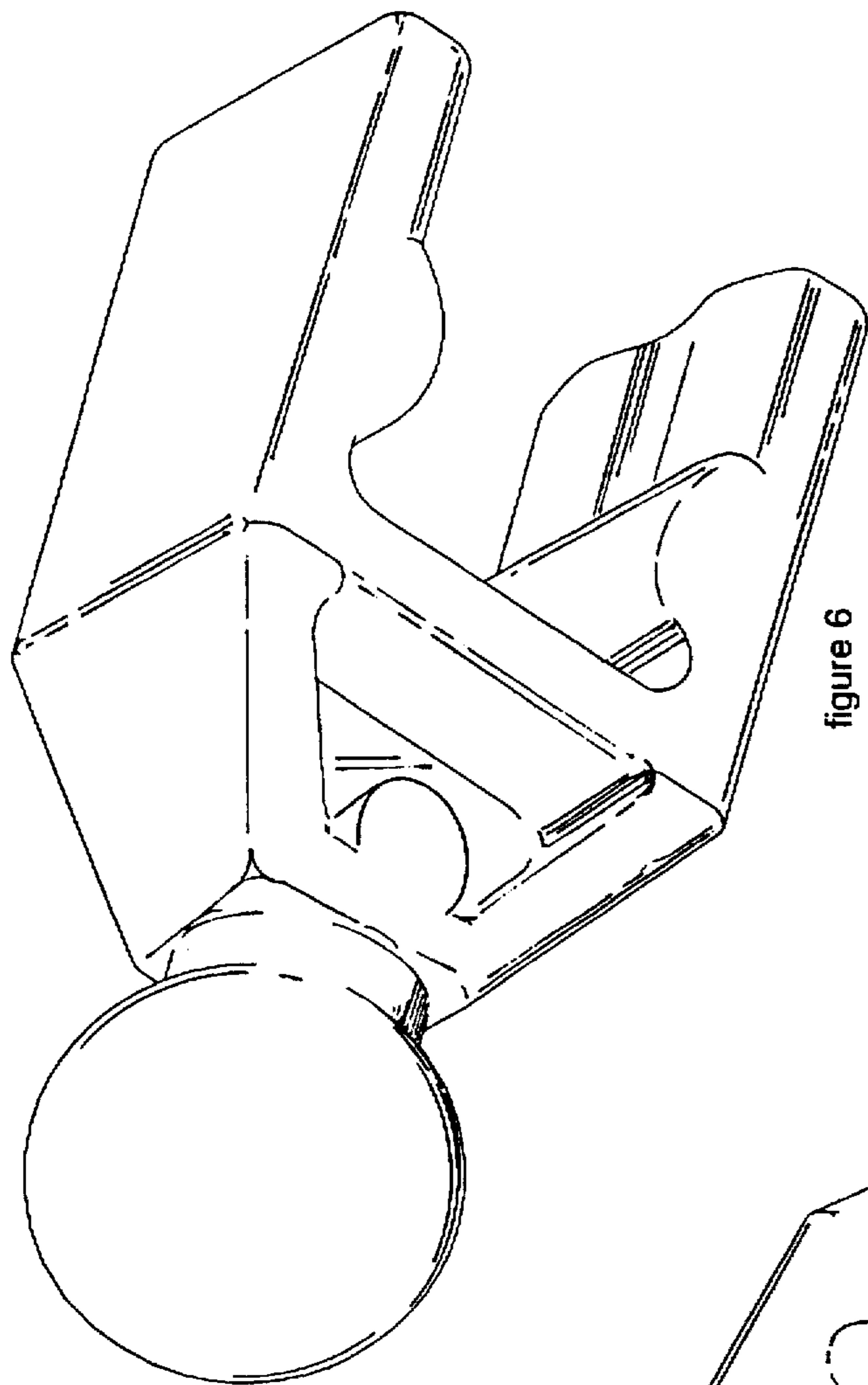


figure 6

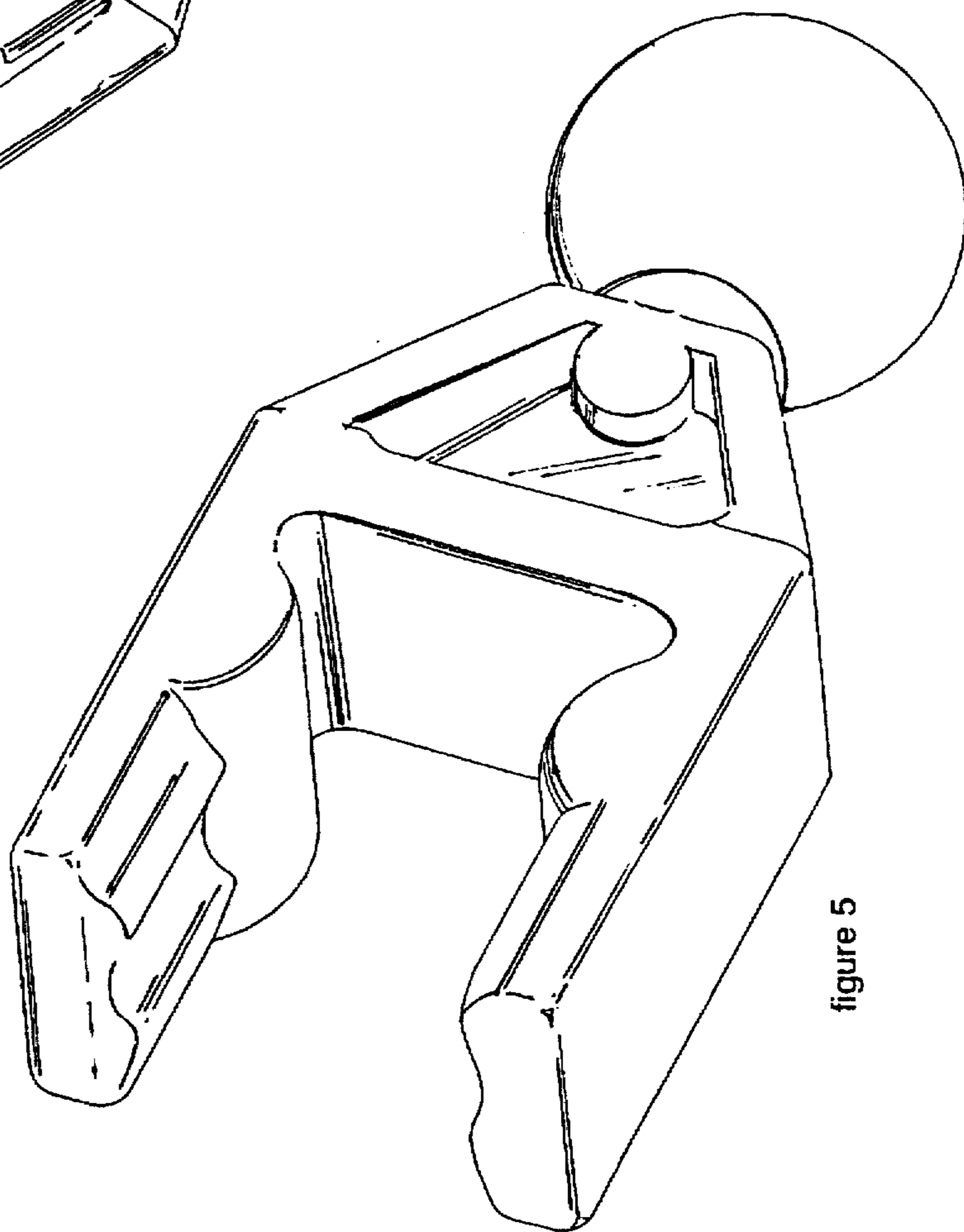


figure 5