



US00D392554S

United States Patent [19]

Shimazu et al.

[11] Patent Number: **Des. 392,554**

[45] Date of Patent: ****Mar. 24, 1998**

[54] **RETAINER FOR AN AUTOMOBILE SEAT**

[75] Inventors: **Toshihito Shimazu**, Toyota; **Seiichi Yuda**, Utsunomiya, both of Japan

[73] Assignee: **Nifco Inc.**, Yokohama, Japan

[**] Term: **14 Years**

[21] Appl. No.: **45,021**

[22] Filed: **Oct. 5, 1995**

[30] **Foreign Application Priority Data**

Apr. 7, 1995 [JP] Japan 7-9530

[51] LOC (6) Cl. **08-08**

[52] U.S. Cl. **D8/382**

[58] Field of Search D8/349, 354, 394-396, D8/382, 383; 24/701, 297; 411/57, 77

[56] **References Cited**

U.S. PATENT DOCUMENTS

- D. 247,801 5/1978 Bulanda et al. D8/349
- D. 299,113 12/1988 Takahashi D8/382
- 5,193,961 3/1993 Hoyle et al. 24/297 X

Primary Examiner—Holly Baynham
Attorney, Agent, or Firm—Oblon, Spivak, McClelland, Maier & Neustadt, P.C.

[57] **CLAIM**

The ornamental design for a retainer for an automobile seat, as shown and described.

DESCRIPTION

FIG. 1 is a top and right front perspective view of a retainer for an automobile seat, showing our new design; FIG. 2 is a front elevational view thereof, the rear being a mirror image of the front shown; FIG. 3 is a right side elevational view thereof, the opposite side being a mirror image of the side shown; FIG. 4 is a top plan view thereof; FIG. 5 is a bottom plan view thereof; FIG. 6 is a part of a scaled down, top and right front perspective view thereof in the state of use; and, FIG. 7 is a sectional view thereof in the state of use. The portions shown by dotted lines in FIG. 6 and FIG. 7 are for illustrative purposes only and form no part of the claimed design.

1 Claim, 2 Drawing Sheets

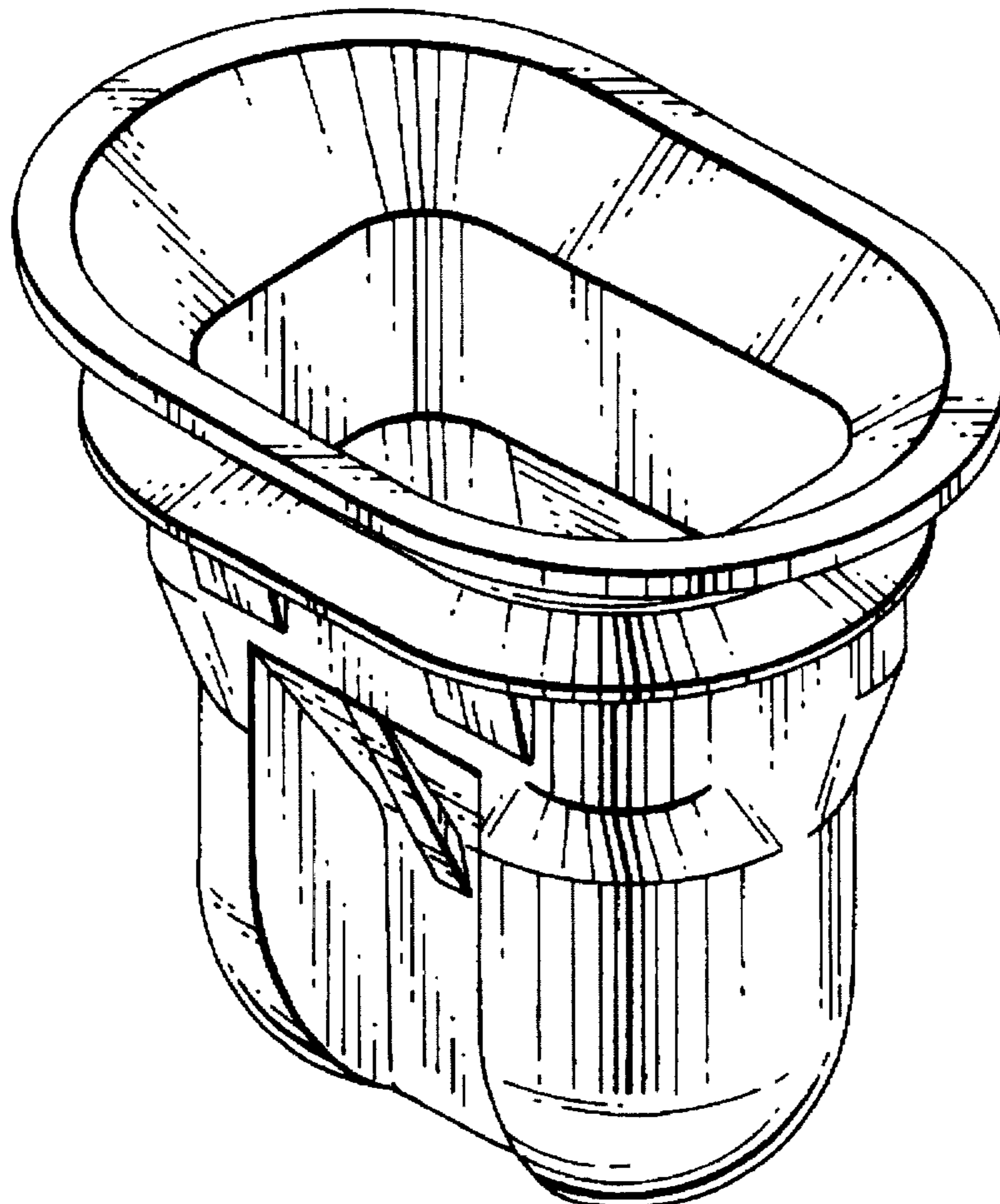


FIG. 1

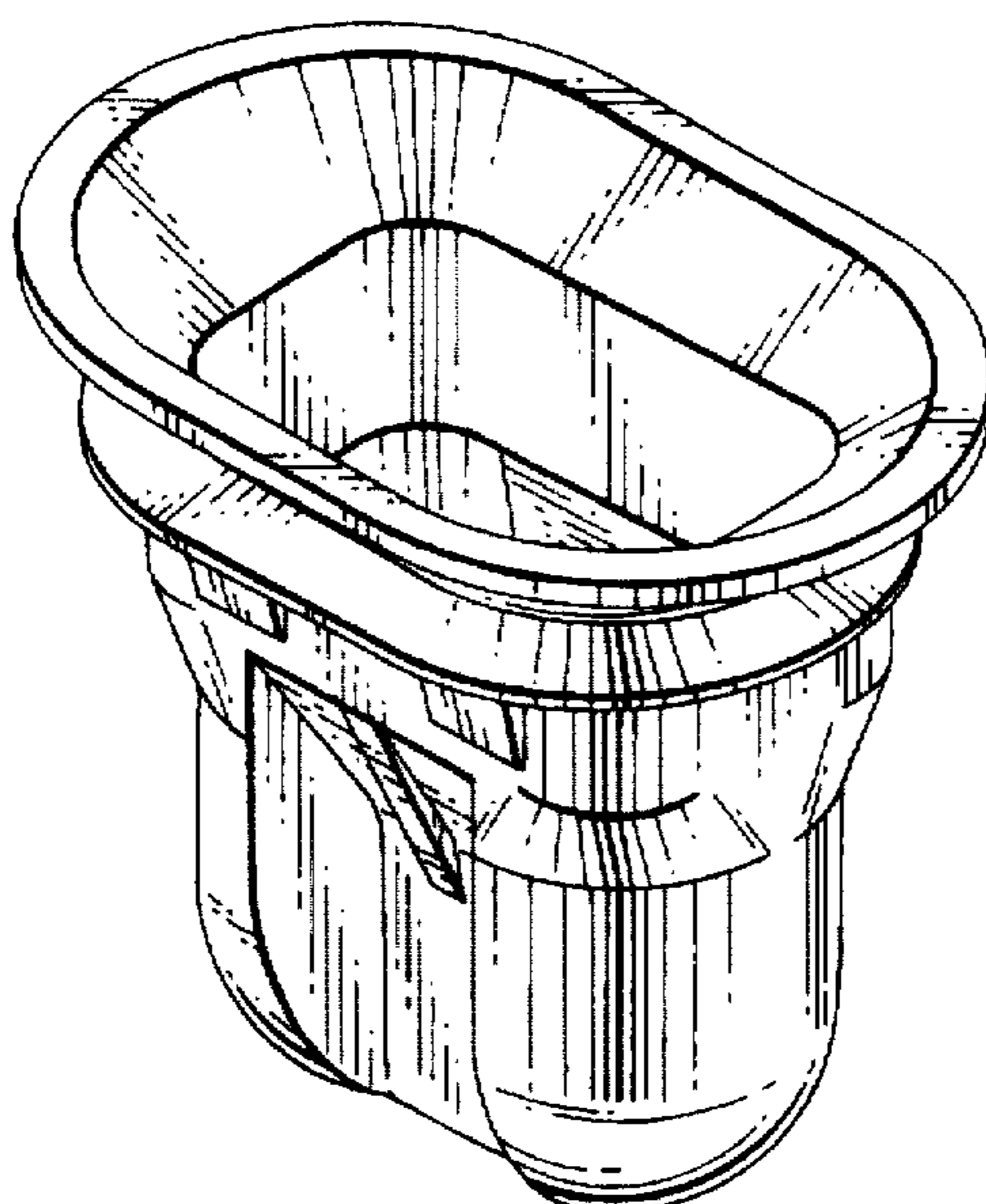


FIG. 2

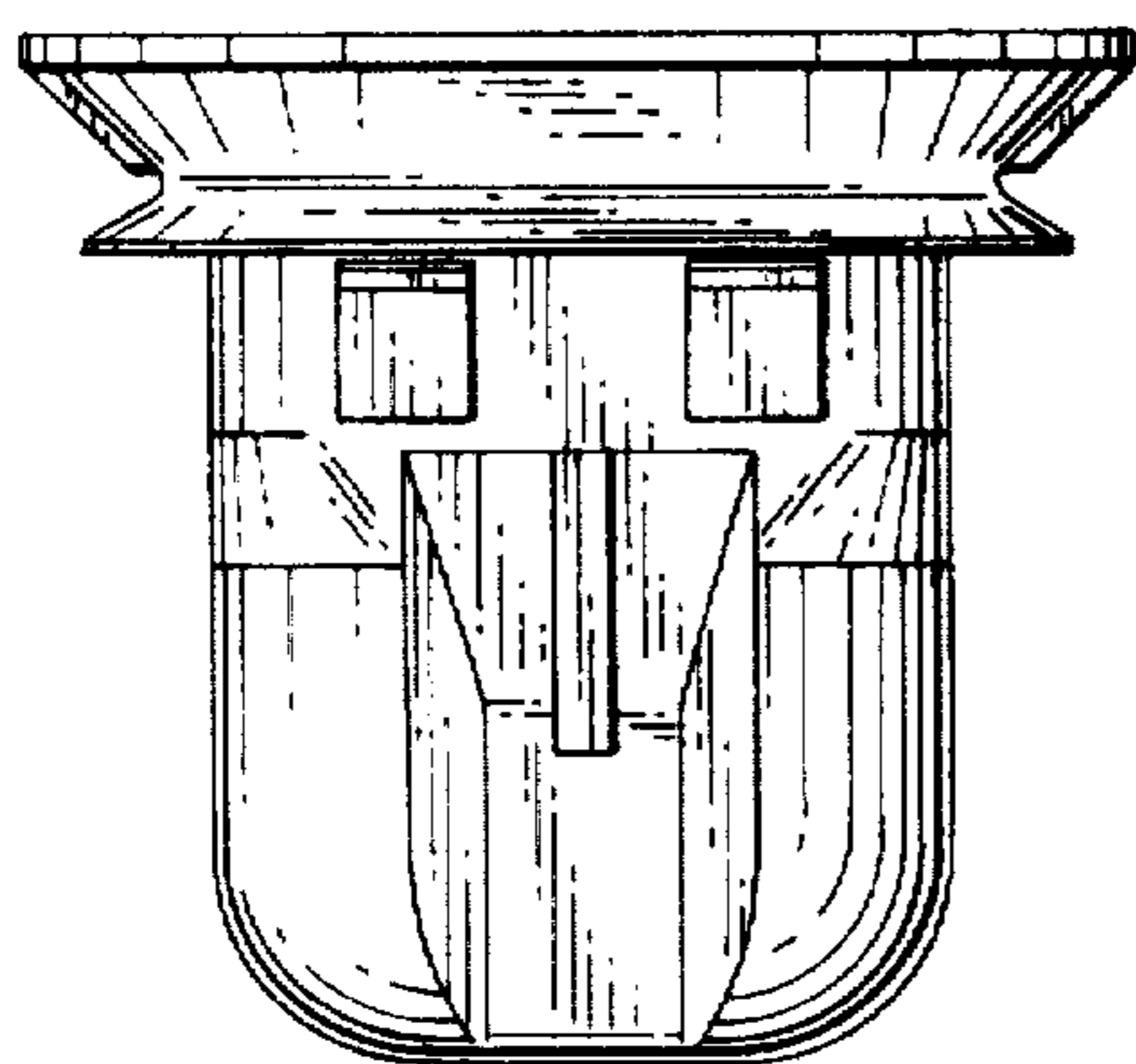


FIG. 3

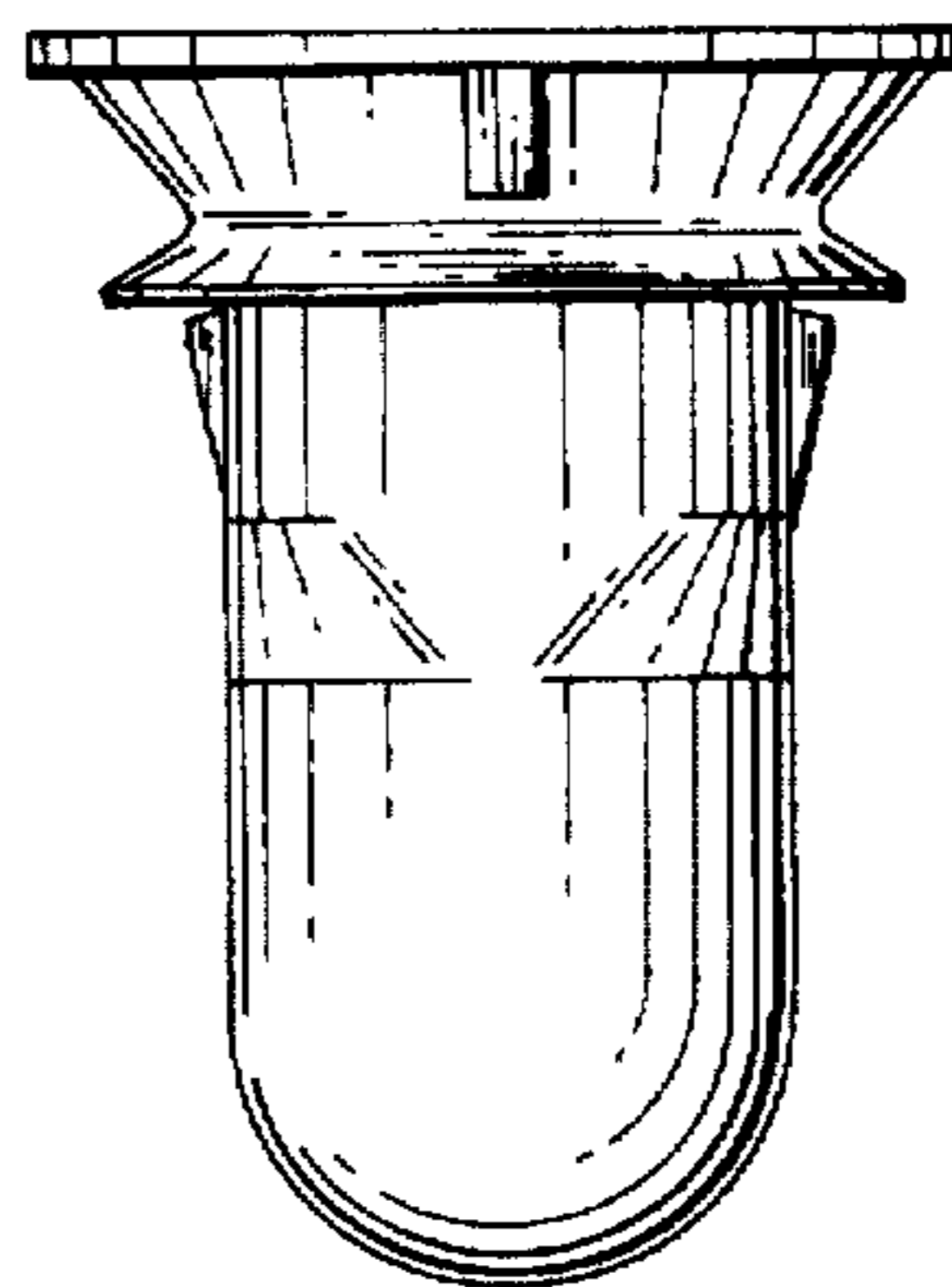


FIG. 4

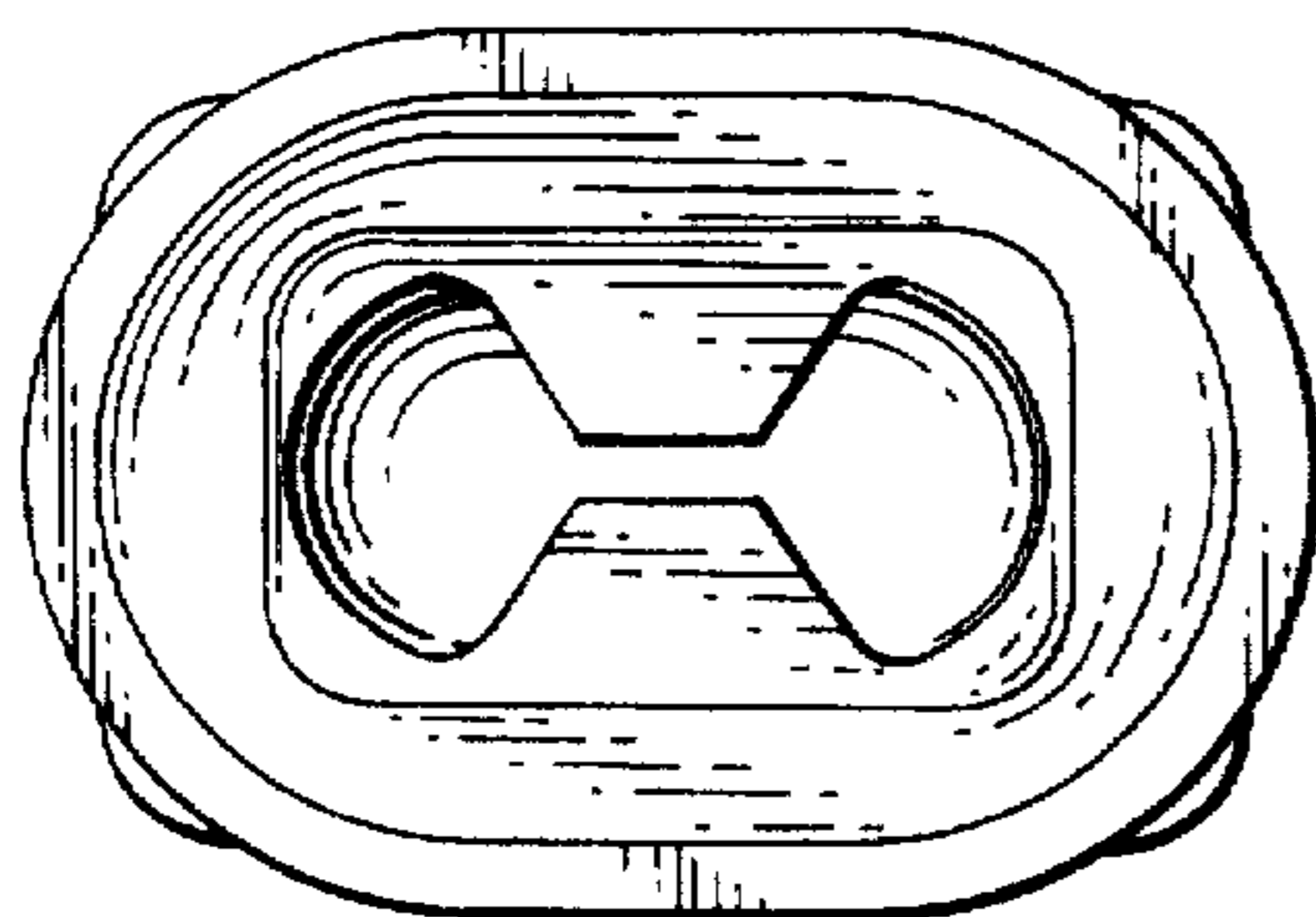
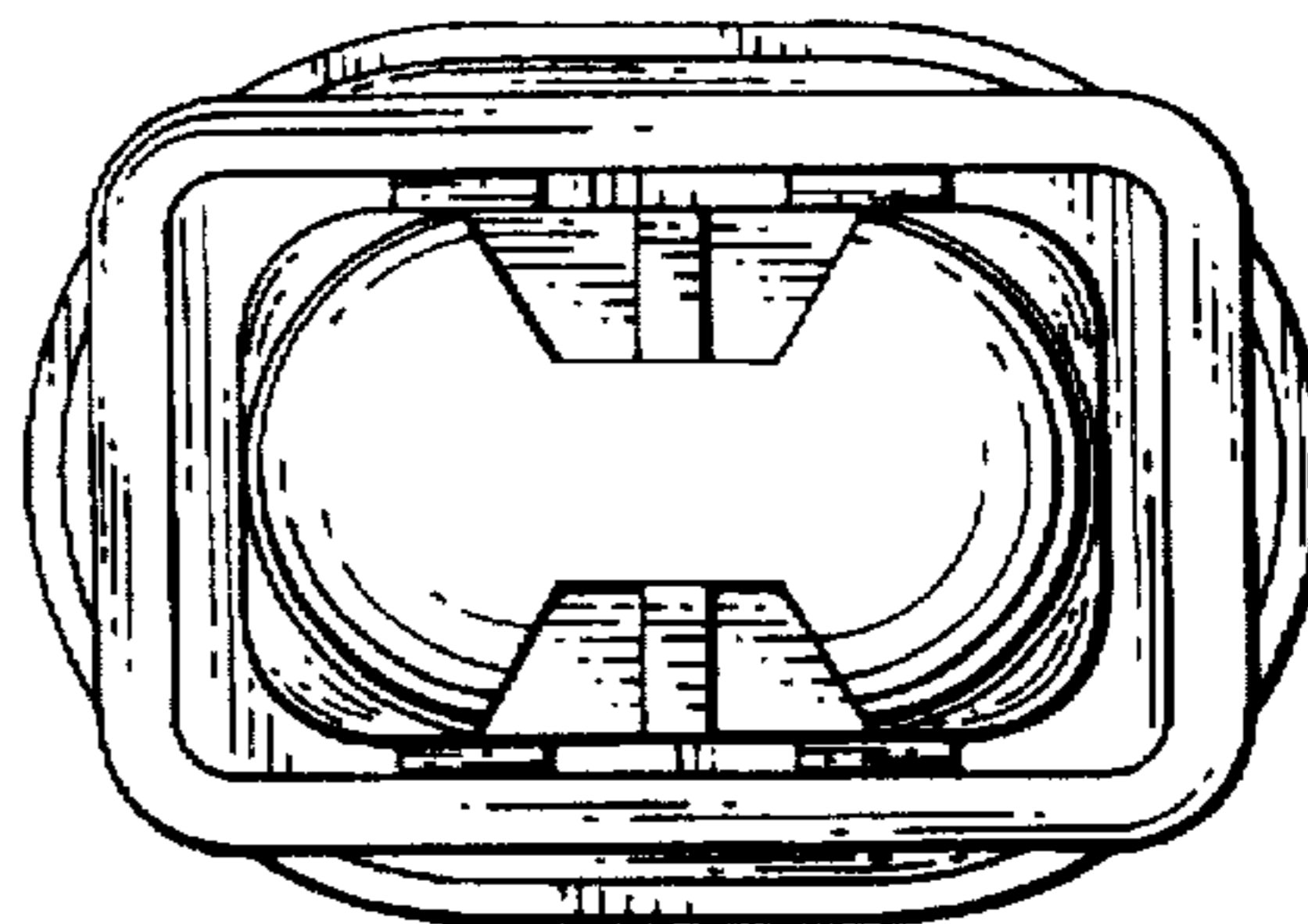


FIG. 5



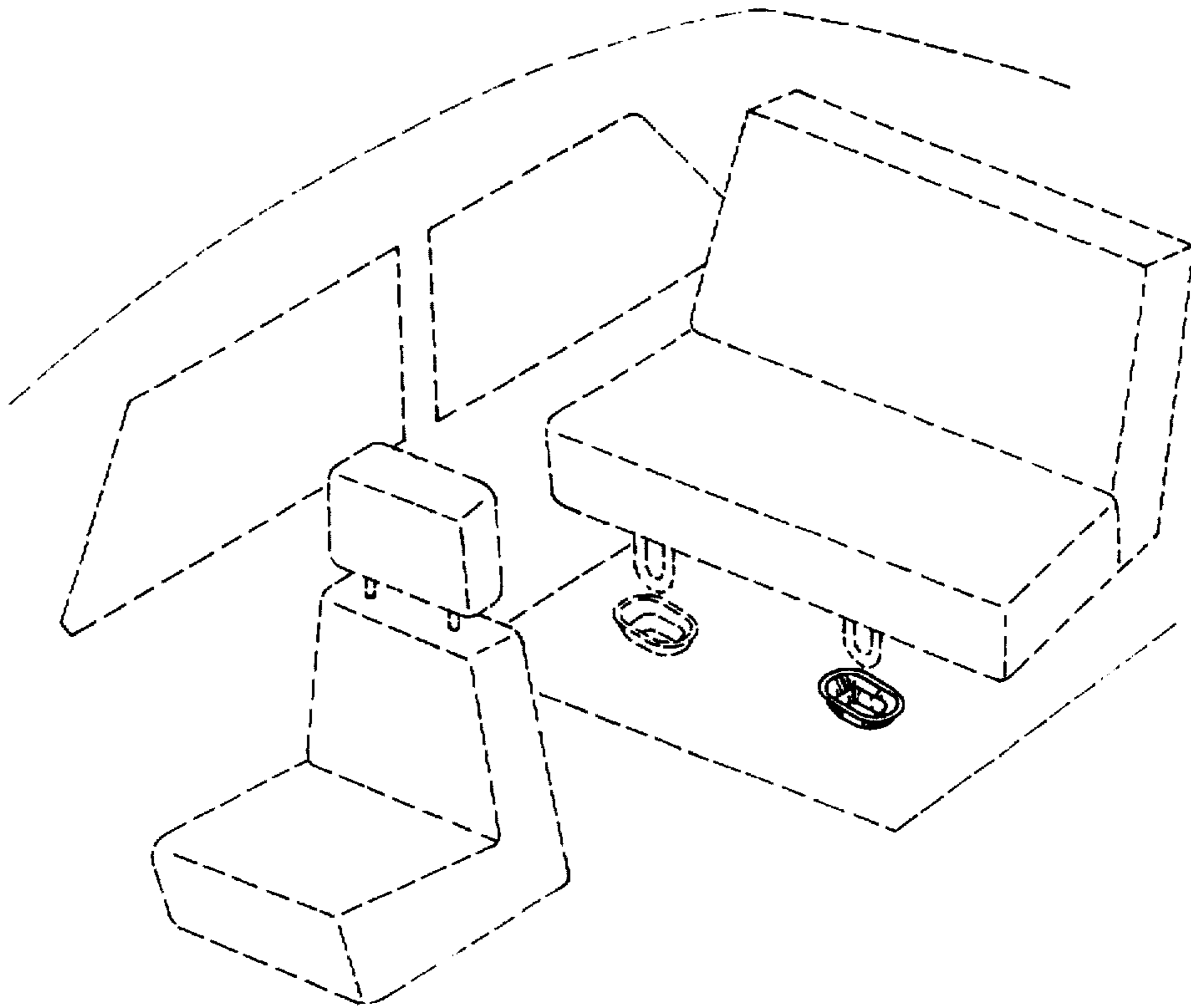


FIG. 7

