

US00D392553S

United States Patent [19]
Dill

[11] **Patent Number: Des. 392,553**
[45] **Date of Patent: **Mar. 24, 1998**

[54] **PIPE SUPPORT WITH VENTILATING CHANNELS**

4,730,800 3/1988 Engman 248/74.1 X

Primary Examiner—Holly Baynham

[76] **Inventor: Ronald M. Dill, 2075 Telegraph Rd., Stockton, Calif. 95204**

[57] **CLAIM**

[**] **Term: 14 Years**

The ornamental design for a pipe support with ventilating channels, as shown and described.

[21] **Appl. No.: 64,279**

DESCRIPTION

[22] **Filed: Dec. 26, 1996**

FIG. 1 is a front, bottom and side perspective view of a pipe support with ventilating channels showing my new design, the broken lines illustrating a pipe and piece of wood are for illustrative purposes and form no part of the claimed design; FIG. 2 is a front elevational view thereof; FIG. 3 is a rear elevational view; FIG. 4 is a side elevational view; FIG. 5 is an elevational view of the opposite side shown in FIG. 4; FIG. 6 is a top plan view; and, FIG. 7 is a bottom plan view.

[51] **LOC (6) Cl. 08-05**

[52] **U.S. Cl. D8/380**

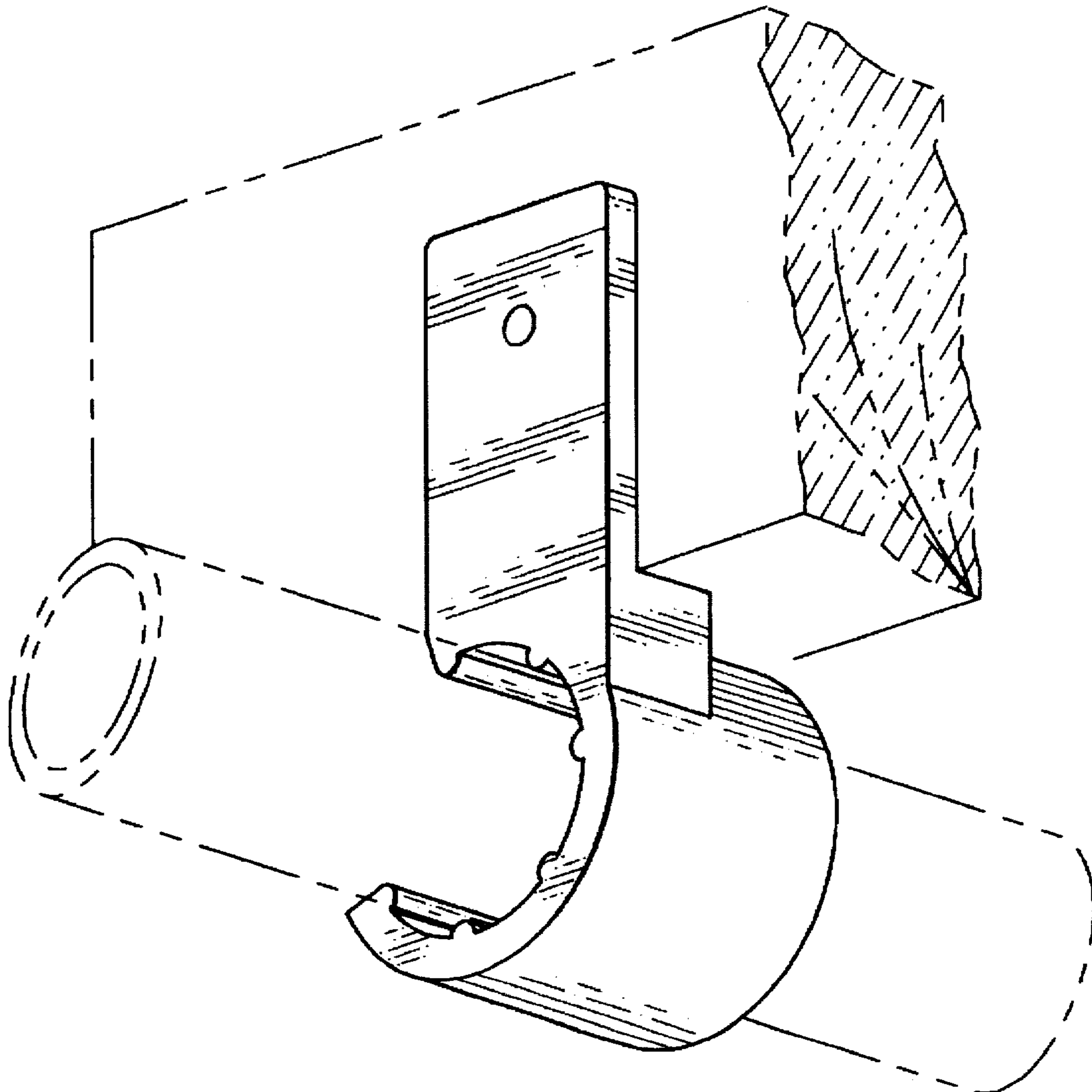
[58] **Field of Search D8/367, 380; 248/62, 248/73, 68.1, 74.1-74.4, 300**

[56] **References Cited**

U.S. PATENT DOCUMENTS

3,273,837	9/1966	Willert et al.	248/317 X
3,430,905	3/1969	Pepe	248/300 X
3,559,910	2/1971	Babb	248/74.3 X

1 Claim, 1 Drawing Sheet



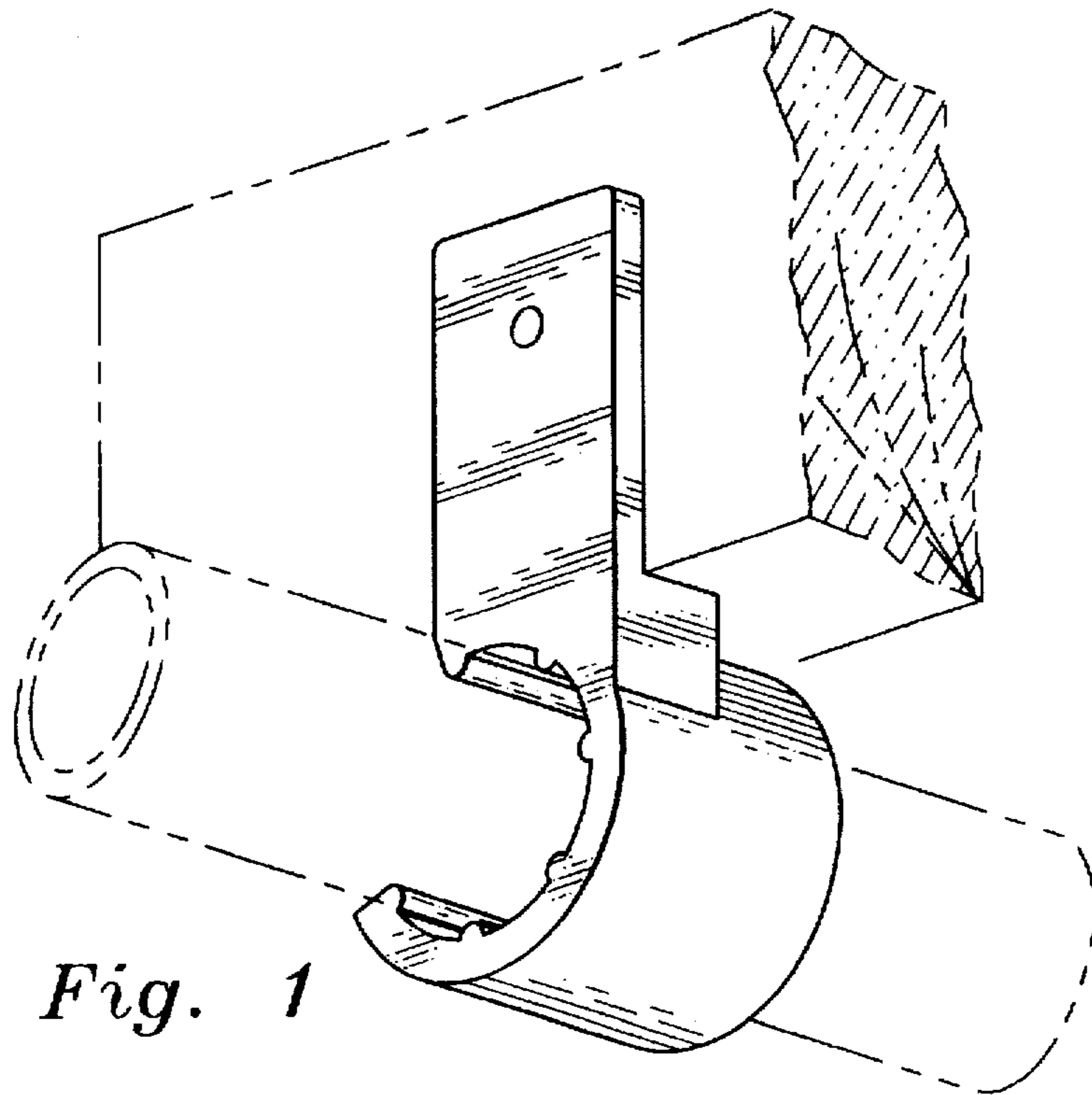


Fig. 1

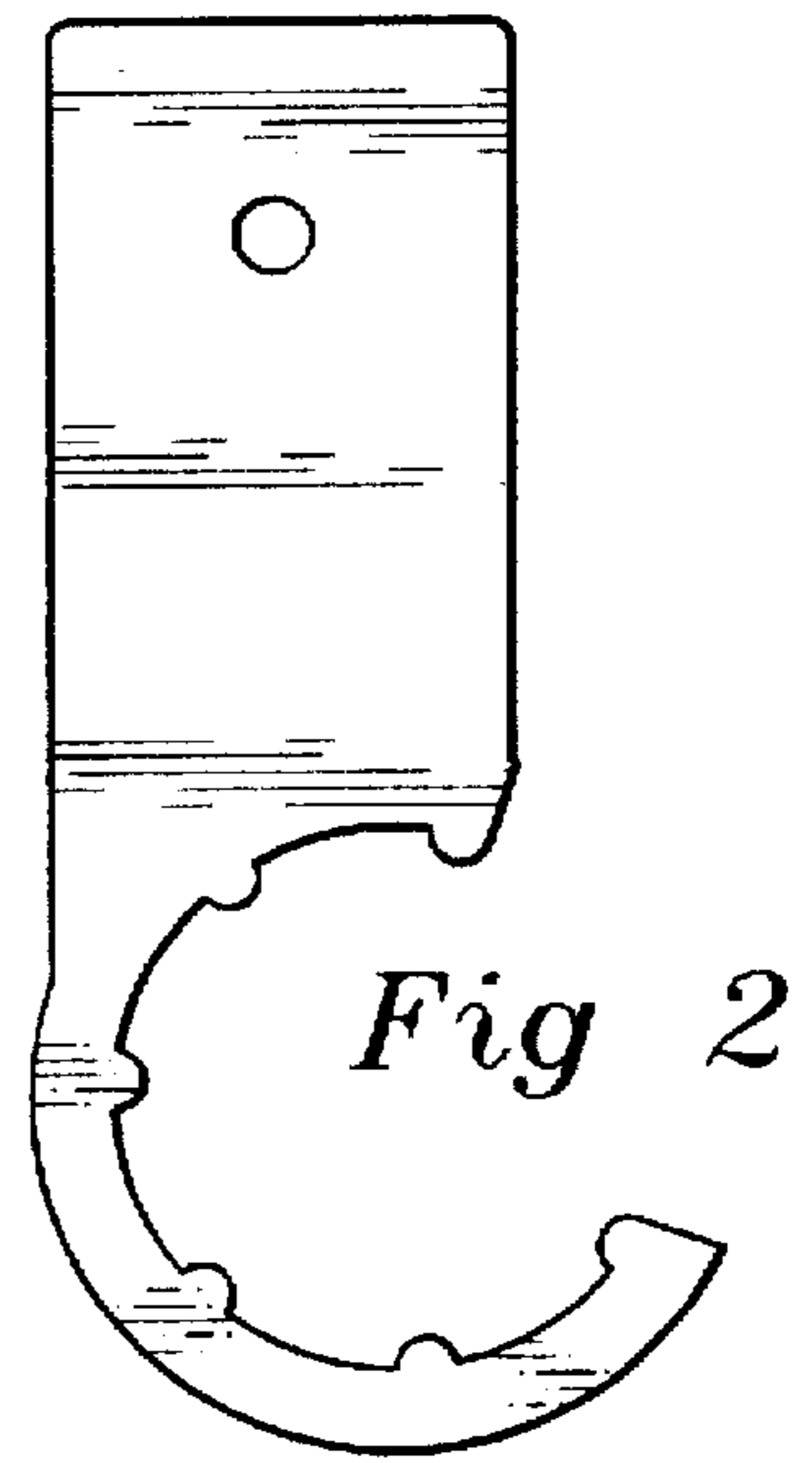


Fig 2

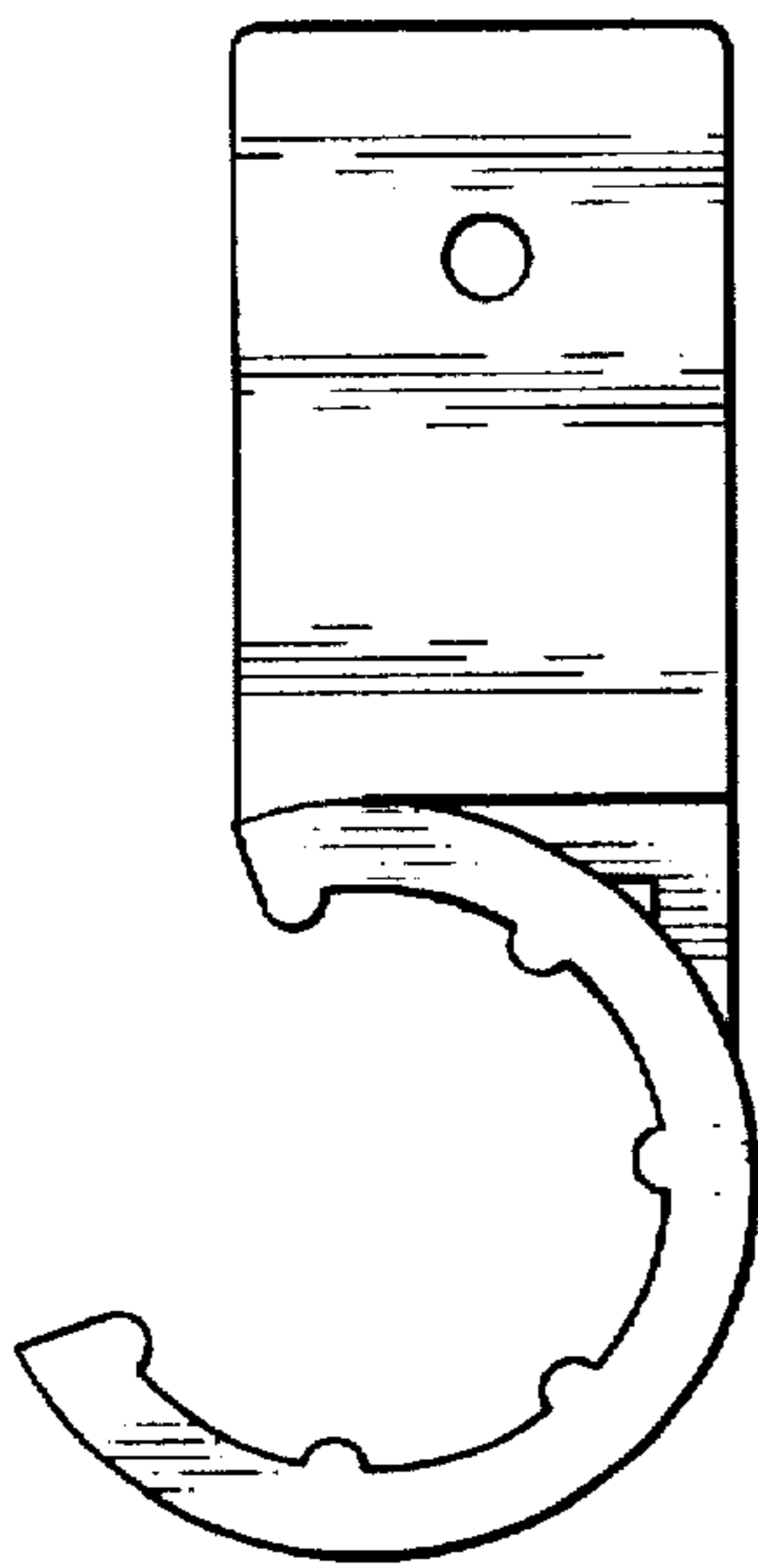


Fig 3

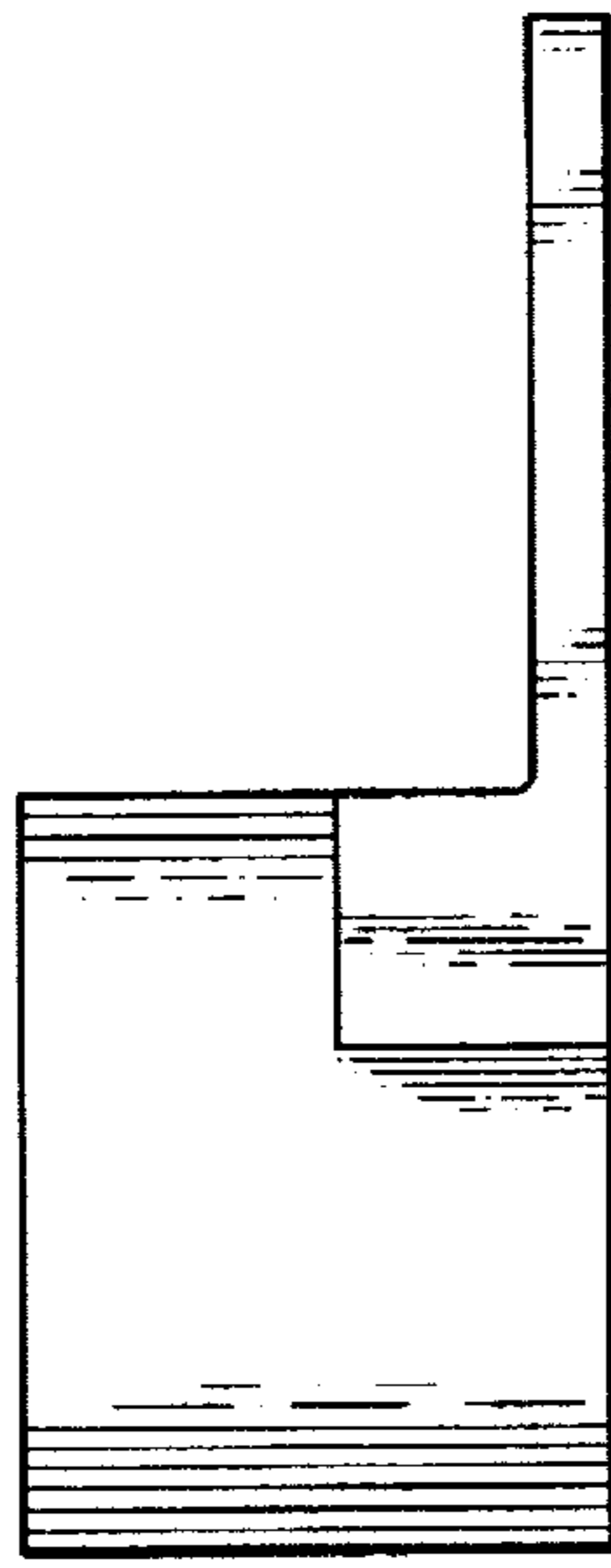


Fig 4

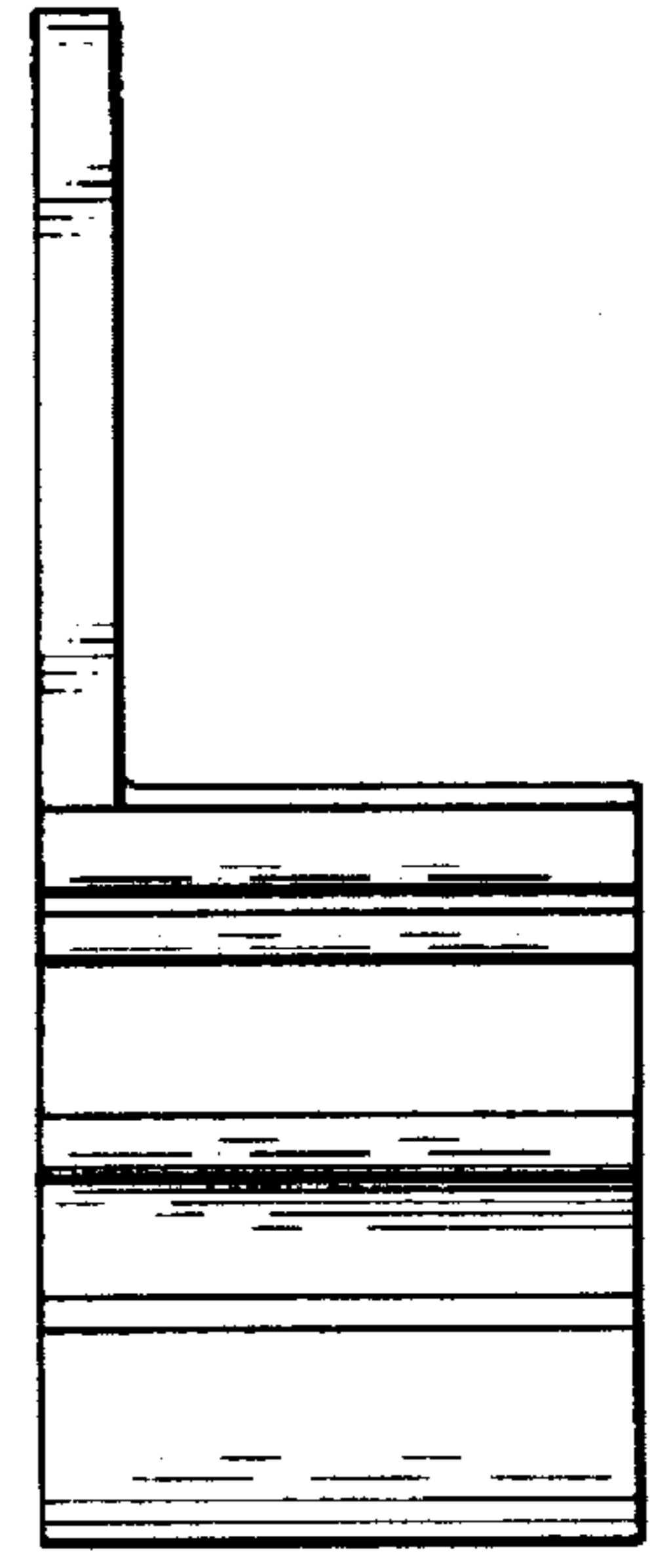


Fig 5

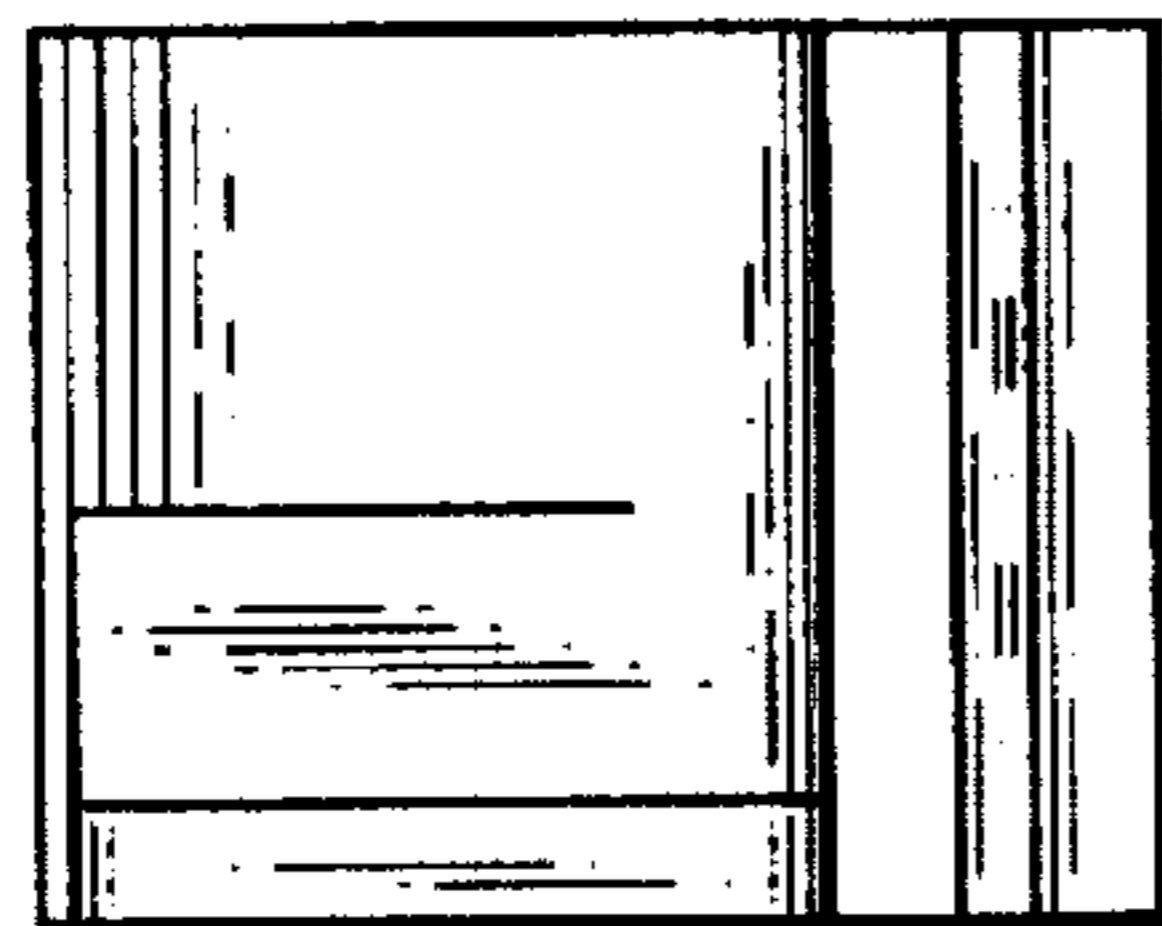


Fig. 6

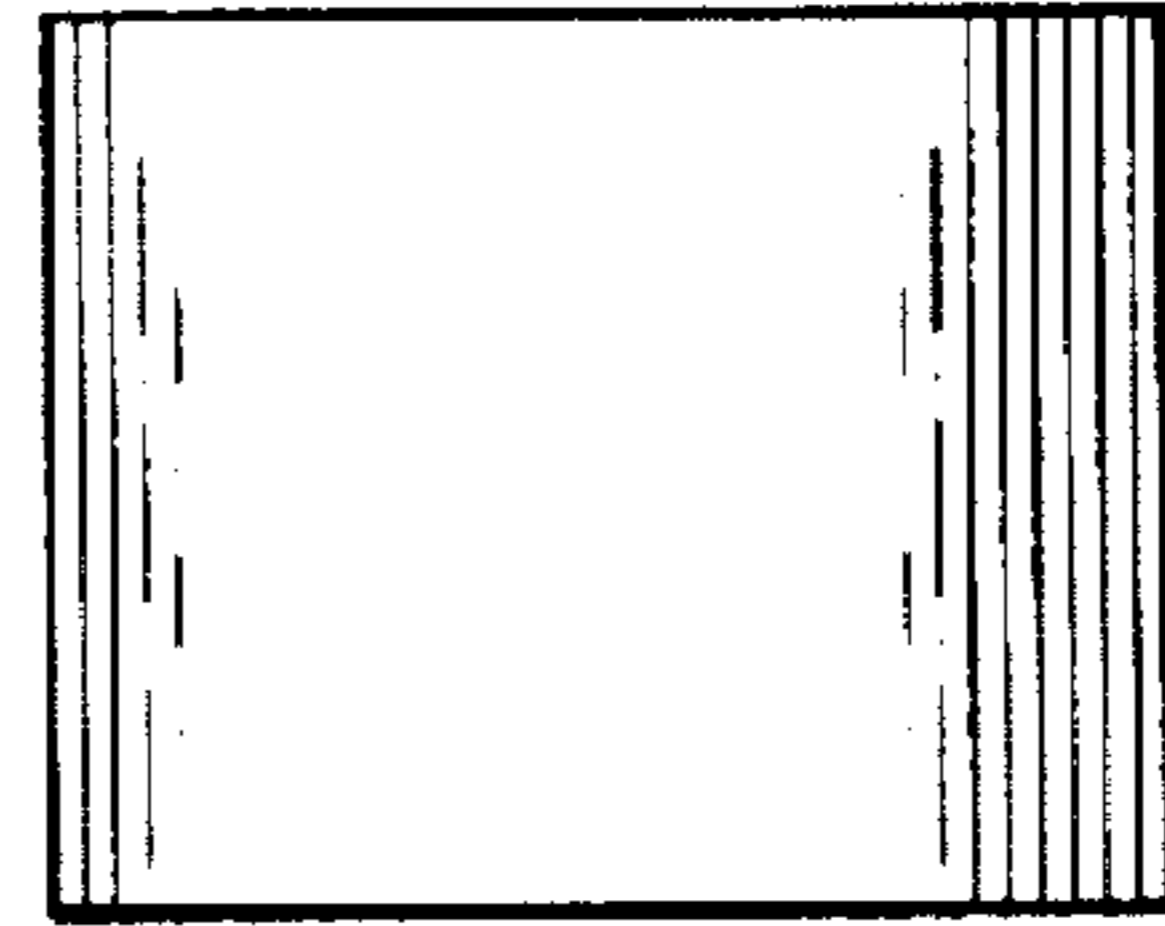


Fig. 7