



US00D392552S

United States Patent [19] Miskill

[11] Patent Number: **Des. 392,552**
[45] Date of Patent: ****Mar. 24, 1998**

[54] **CASTER WHEEL**
[75] Inventor: **Michael D. Miskill**, St. Joseph, Mich.
[73] Assignee: **Shepherd Hardware Products, Inc.**,
Three Oaks, Mich.
[**] Term: **14 Years**

5,230,571 7/1993 Estkowski et al. 384/560
5,415,252 5/1995 Estkowski 188/1.12

FOREIGN PATENT DOCUMENTS

1202456 4/1986 Canada 16/7

OTHER PUBLICATIONS

P.J. Catalog, p. 25, caster wheel located at right of page, Apr. 1986.
P.J. Catalog, p. 23, caster wheel located at right of page, Apr. 1986.
Colson Catalog, p. 10, caster circled at left of page, Jun. 1988.
Saginaw, p. 7, caster wheel item a located at top left of page, Mar. 1985.

Primary Examiner—Holly Baynham
Attorney, Agent, or Firm—Lee, Mann, Smith, McWilliams, Sweeney & Ohlson

[21] Appl. No.: **58,249**
[22] Filed: **Aug. 9, 1996**
[51] LOC (6) Cl. **08-05**
[52] U.S. Cl. **D2/375**
[58] Field of Search D8/375; 16/18 R,
16/18 CG, 45

[56] References Cited

U.S. PATENT DOCUMENTS

D. 308,815 6/1990 Caruso et al. D8/375
1,855,315 4/1932 Schacht 16/45
1,902,726 3/1933 Schacht 16/45
4,144,617 3/1979 McCarroll 16/18 A
4,206,716 6/1980 Anderson 16/18 R
4,217,944 8/1980 Pascal 16/18 R X
4,248,453 2/1981 Stark 16/18 R
4,283,810 8/1981 Demrick 16/47
4,295,256 10/1981 Pascal 16/45 X
4,327,462 5/1982 Eggleston 16/47
4,399,586 8/1983 McCarroll 16/31 R
4,649,595 3/1987 Shane 16/18 CG
4,722,115 2/1988 Yang 16/45
4,911,269 3/1990 Perl 188/1.12
5,068,943 12/1991 Estkowski et al. 16/18 A
5,226,739 7/1993 Estkowski et al. 384/560

[57] CLAIM

The ornamental design for a caster wheel, as shown and described.

DESCRIPTION

FIG. 1 is a perspective view of the caster wheel embodying the invention;
FIG. 2 is a front view thereof (the top, bottom and rear views being a mirror image); and,
FIG. 3 is a side view thereof (the outer side being a mirror image).
The broken line showing of a wheel brace is for illustrative purposes only and forms no part of the claimed design.

1 Claim, 1 Drawing Sheet

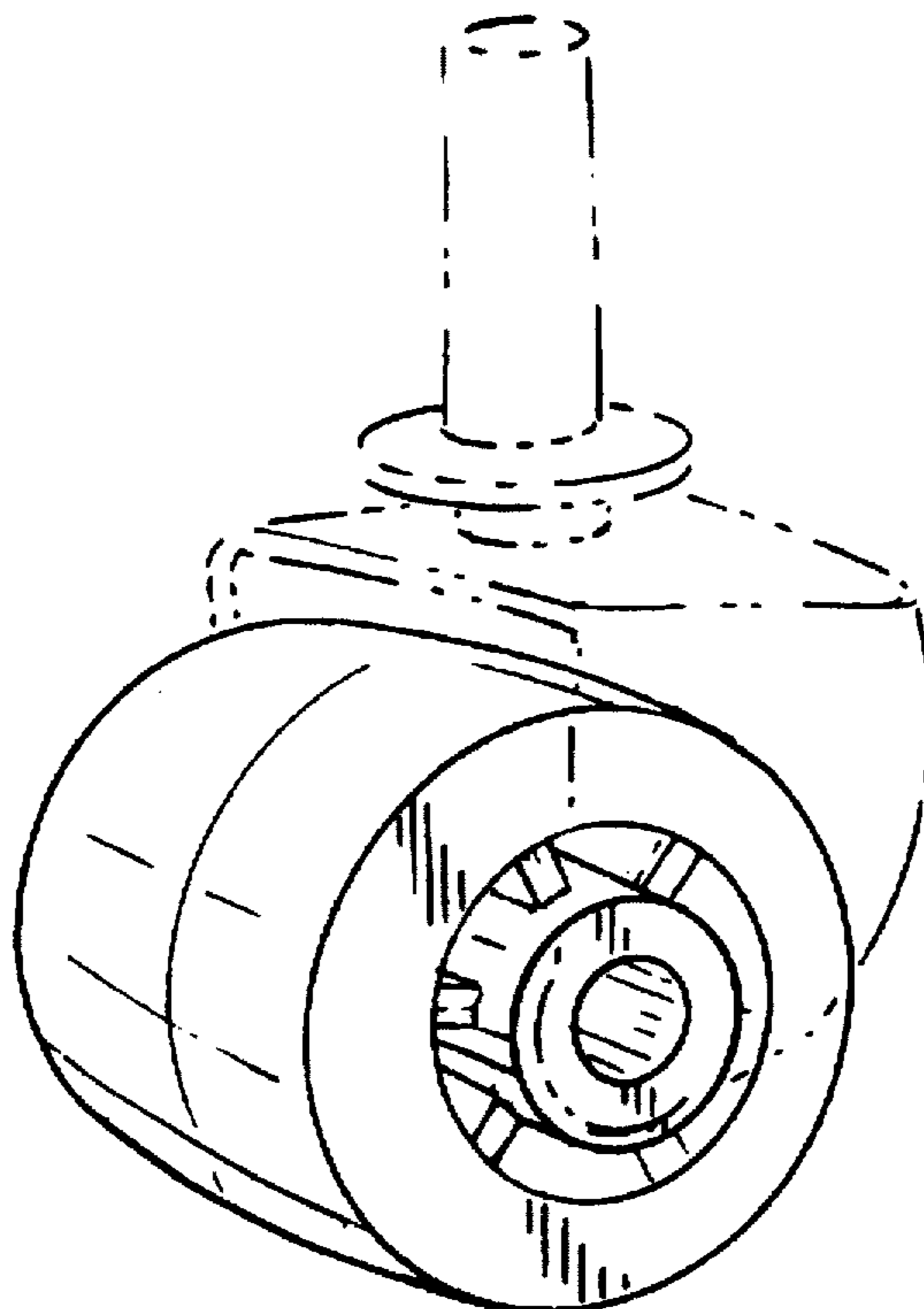


FIG. 1

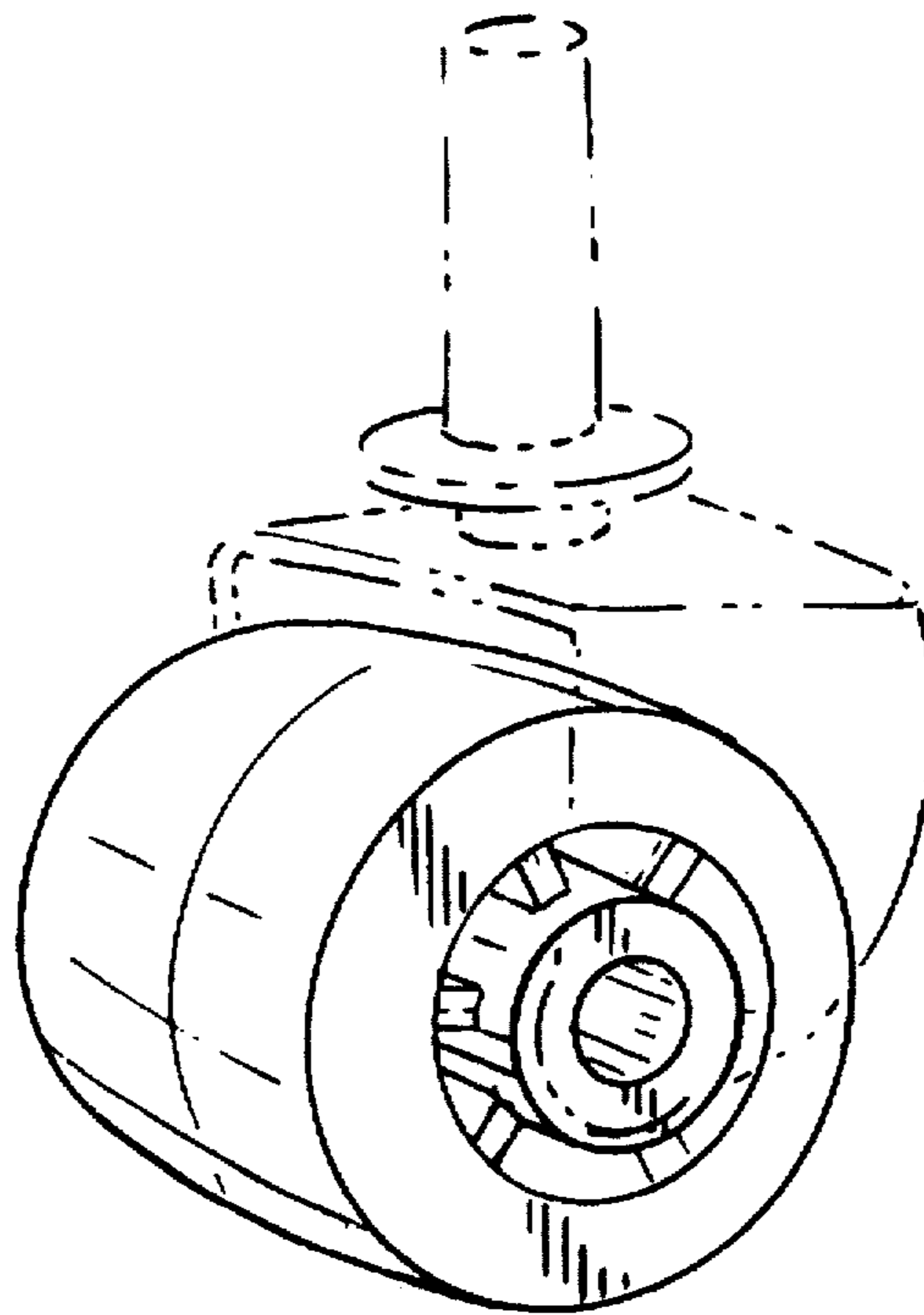


FIG. 2

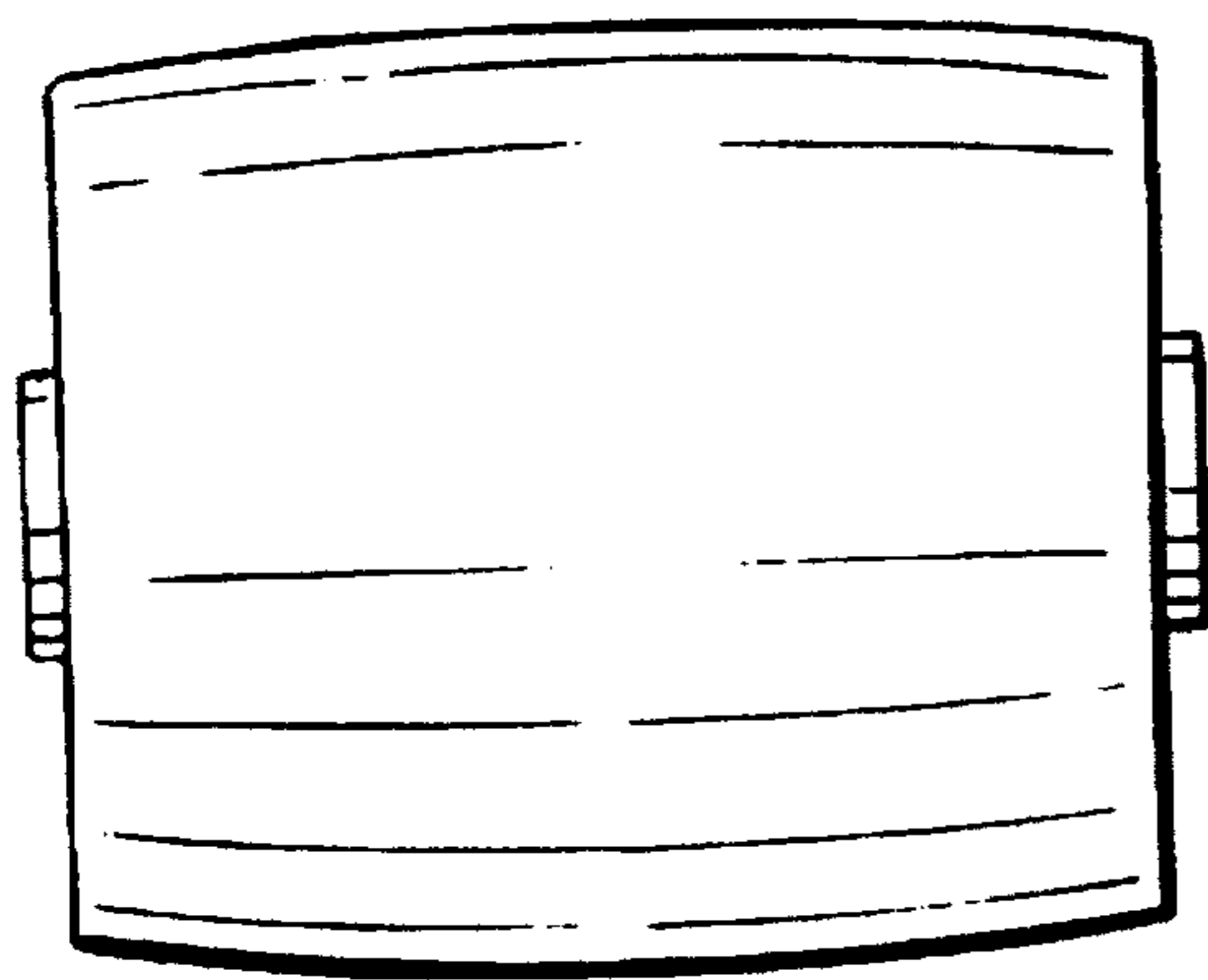


FIG. 3

