

US00D392550S

United States Patent [19]

[11] Patent Number: **Des. 392,550**

Rulison

[45] Date of Patent: ****Mar. 24, 1998**

[54] **HOOK**

Primary Examiner—Holly Baynham
Attorney, Agent, or Firm—Weiner, Carrier, Burt & Esser, P.C.; William F. Esser; Irving M. Weiner

[75] Inventor: **Stephen C. Rulison**, Lansing, Mich.

[73] Assignee: **RTR Industries, Inc.**, Lansing, Mich.

[57] **CLAIM**

[**] Term: **14 Years**

The ornamental design for a hook, as shown and described.

[21] Appl. No.: **59,625**

DESCRIPTION

[22] Filed: **Aug. 28, 1996**

FIG. 1 is a perspective view of a new, original, and ornamental design of a preferred embodiment of the present invention with the broken line showing of a basket being for illustrative purposes only and forming no part of the claimed design;

[51] LOC (6) Cl. **08-05**

[52] U.S. Cl. **D8/367**

[58] Field of Search D8/367, 373; 248/301, 248/304, 215, 339

FIG. 2 is a side elevational view of a preferred embodiment of the present invention;

FIG. 3 is a front elevational view thereof;

FIG. 4 is an opposite elevational view thereof;

FIG. 5 is a back elevational view thereof;

FIG. 6 is a top plan view thereof; and,

FIG. 7 is a bottom plan view thereof.

[56] **References Cited**

U.S. PATENT DOCUMENTS

4,893,773 1/1990 Fujimoto 248/215 X
5,279,452 1/1994 Huynh 248/215 X

1 Claim, 2 Drawing Sheets

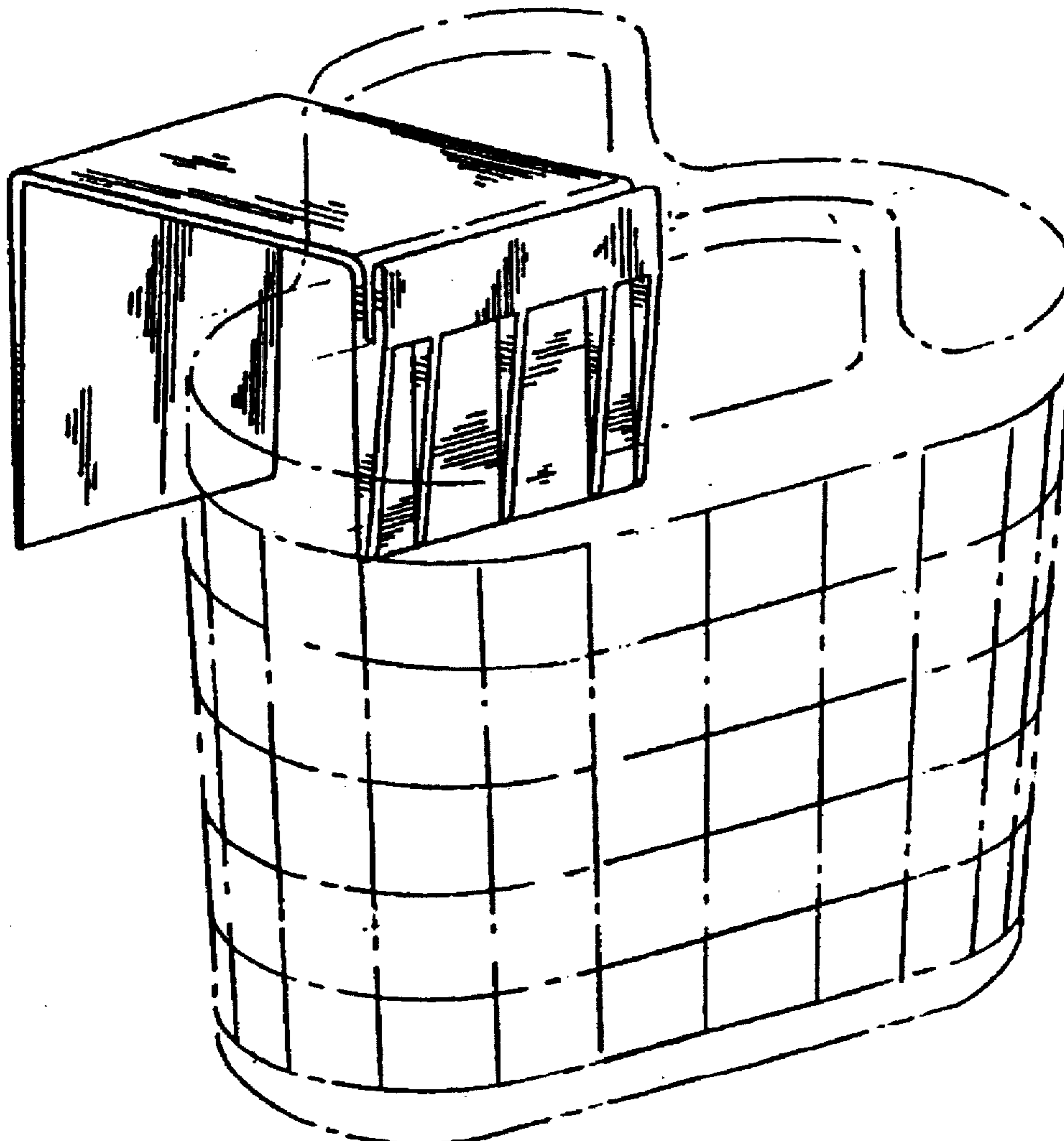


FIG 1

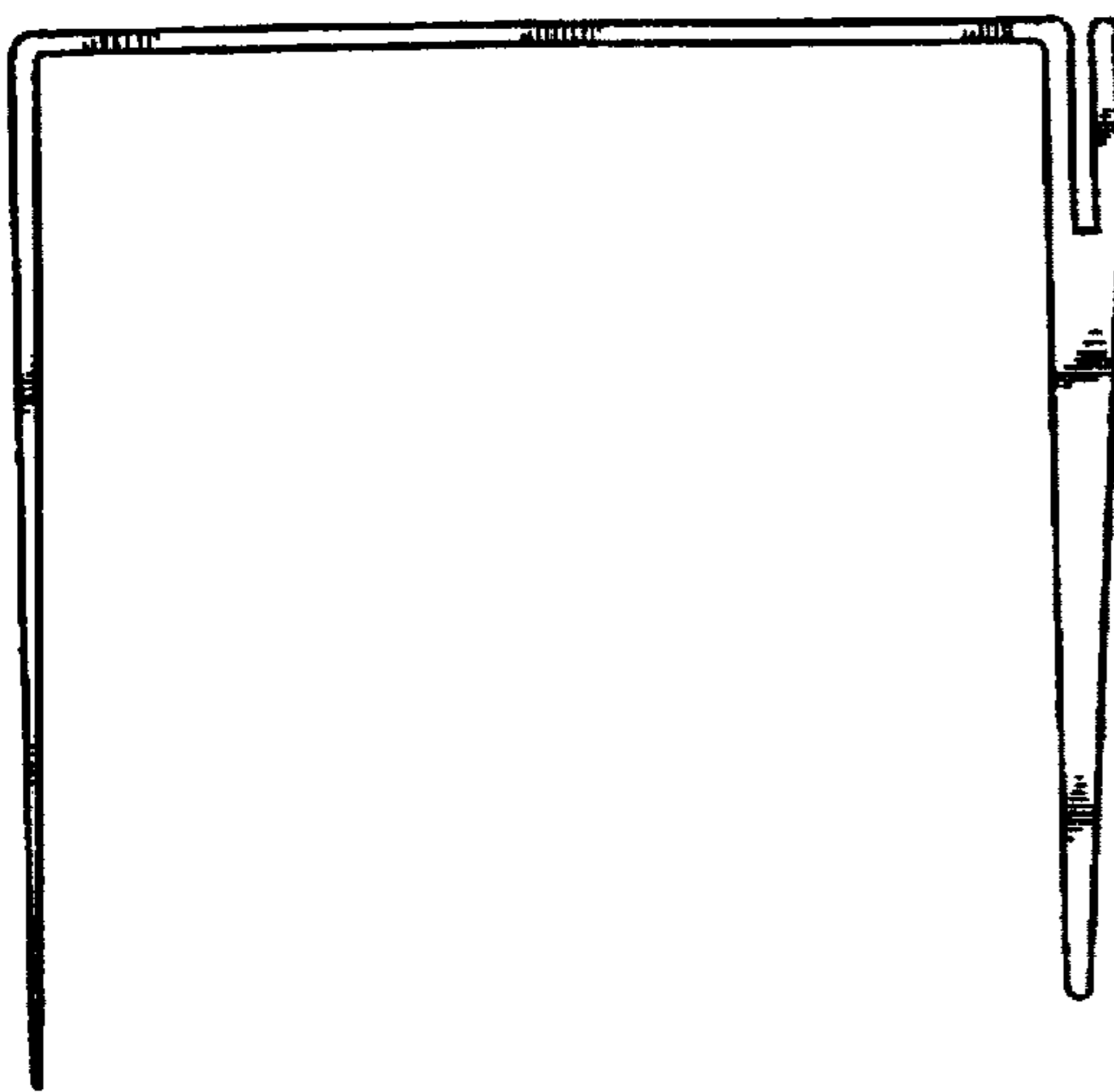
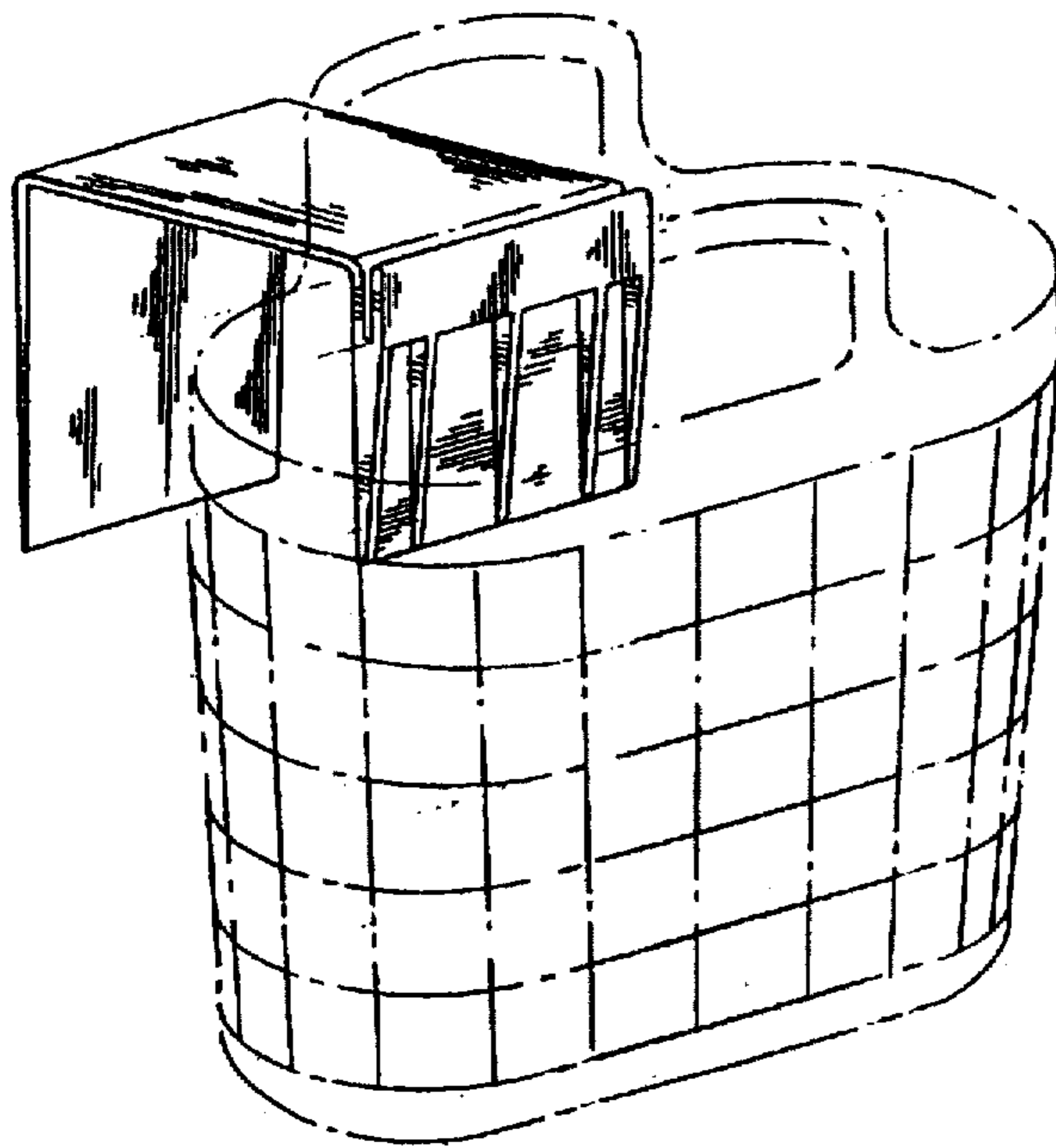


FIG 2

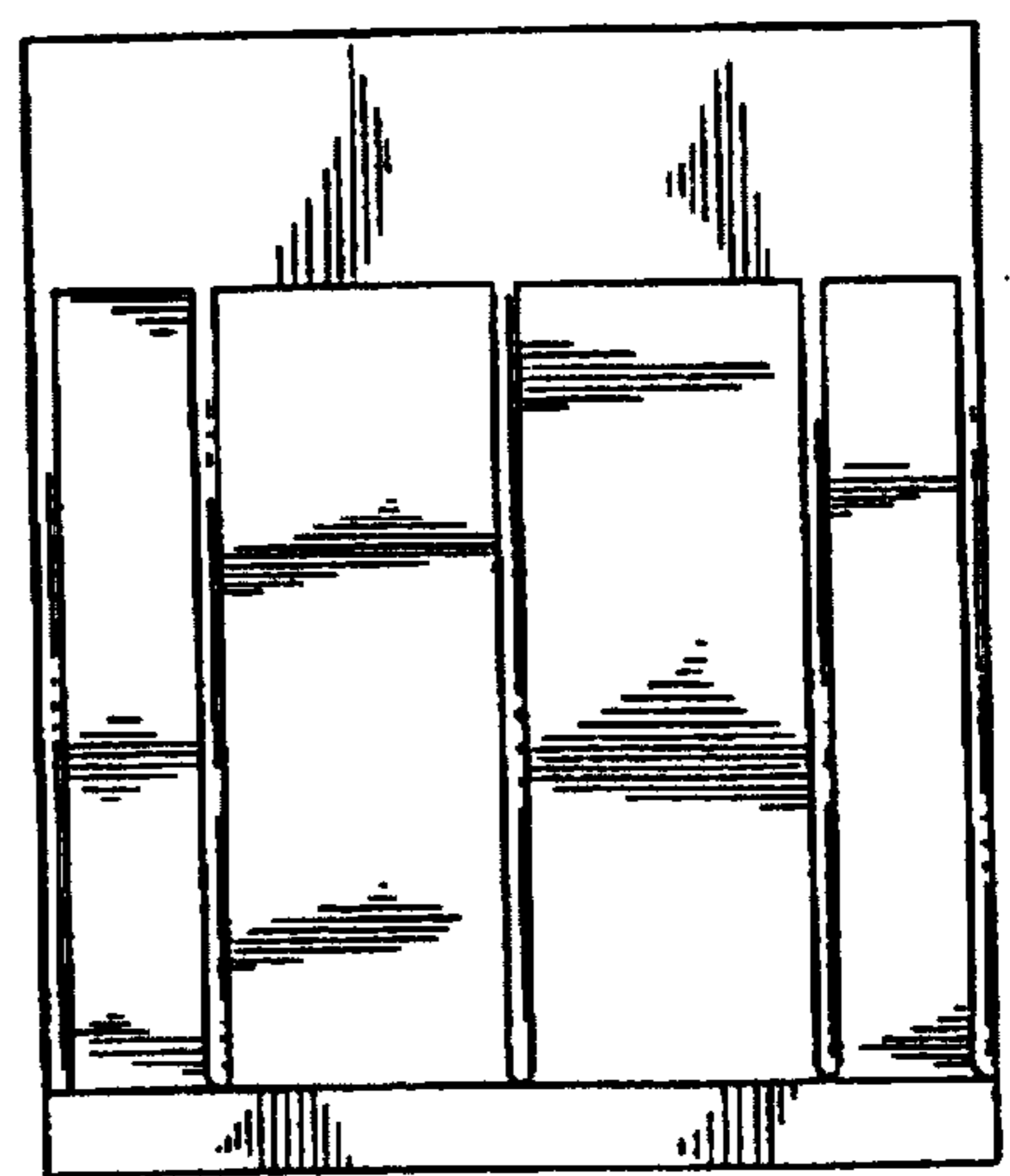


FIG 3

FIG 6

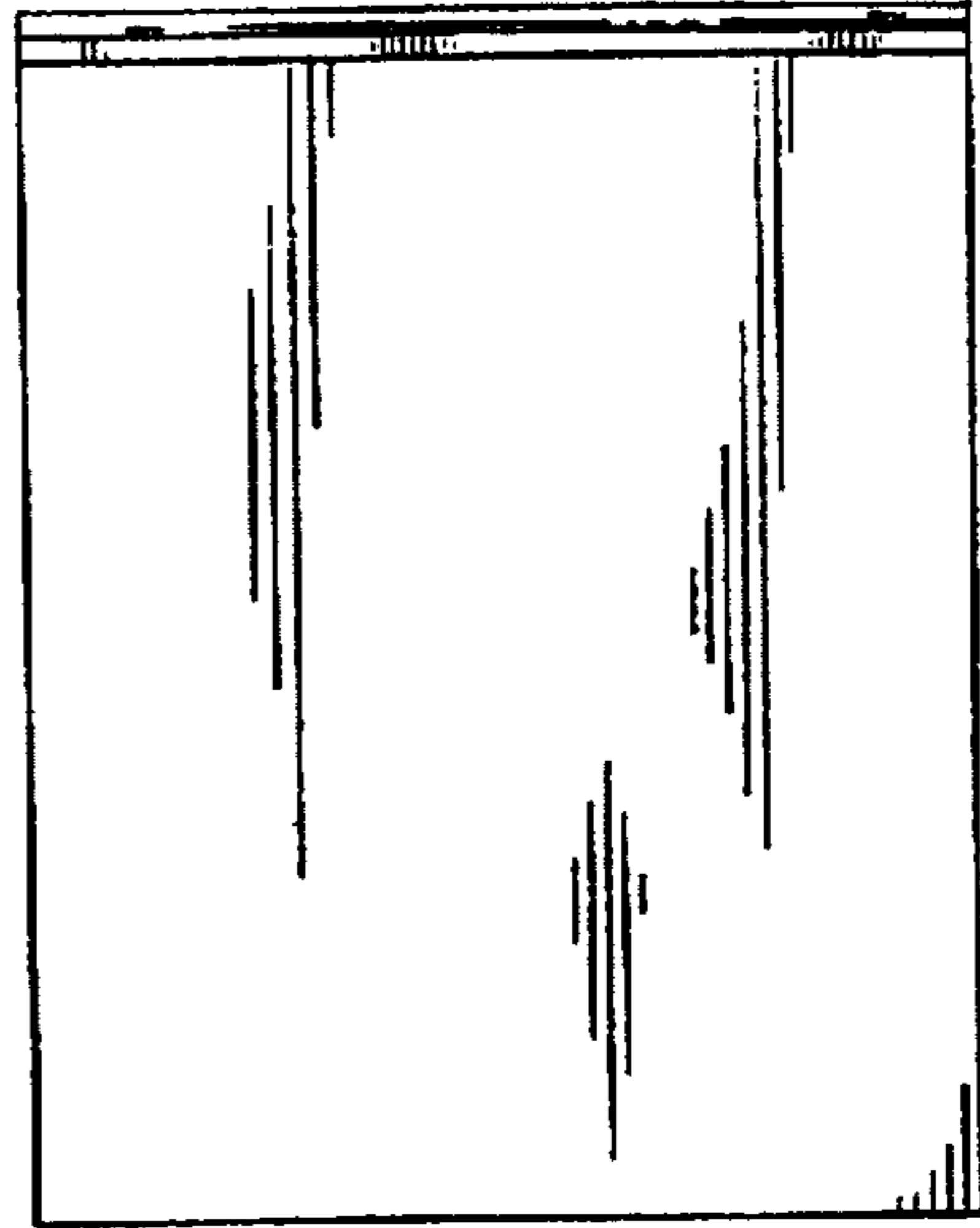


FIG 4

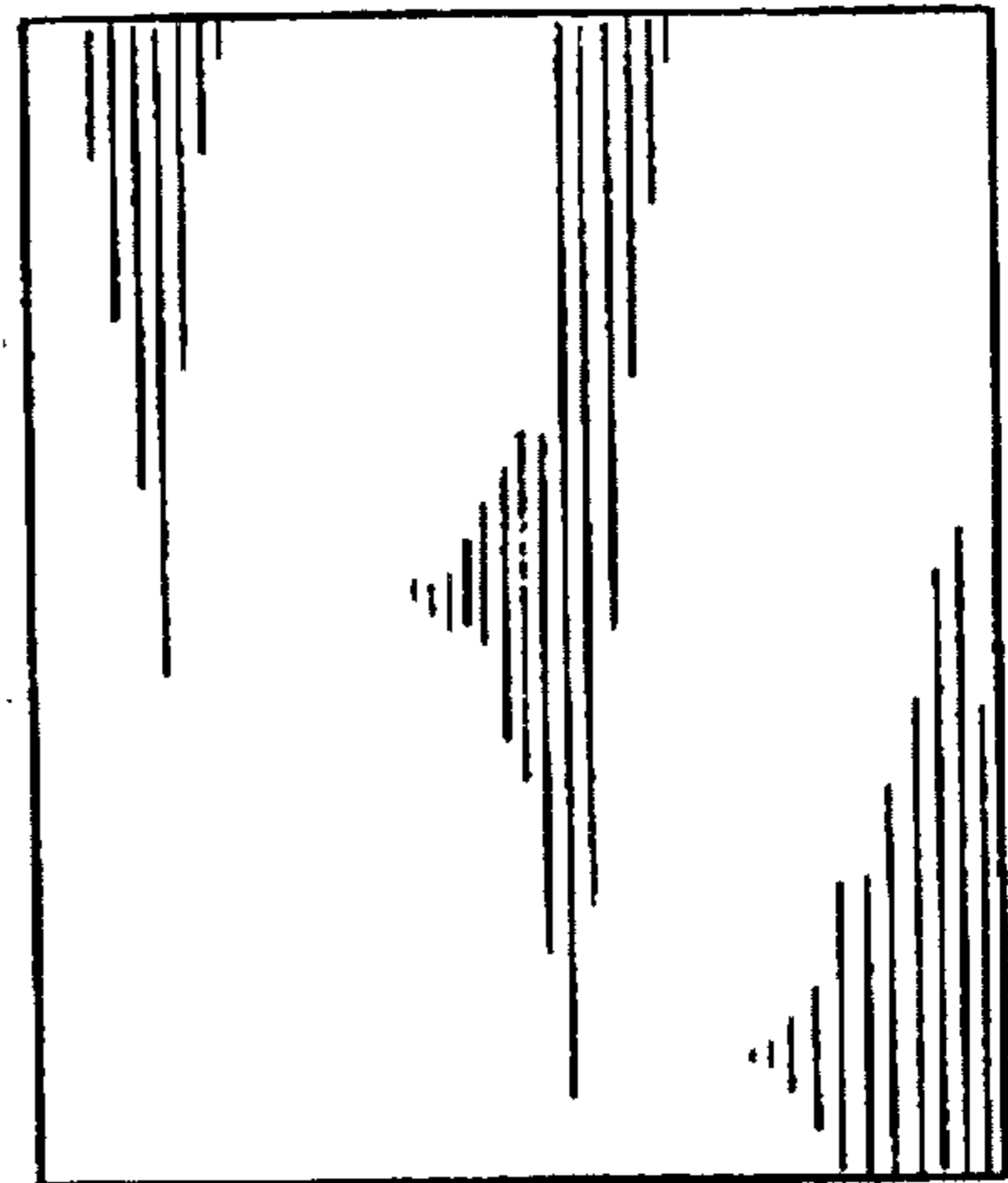
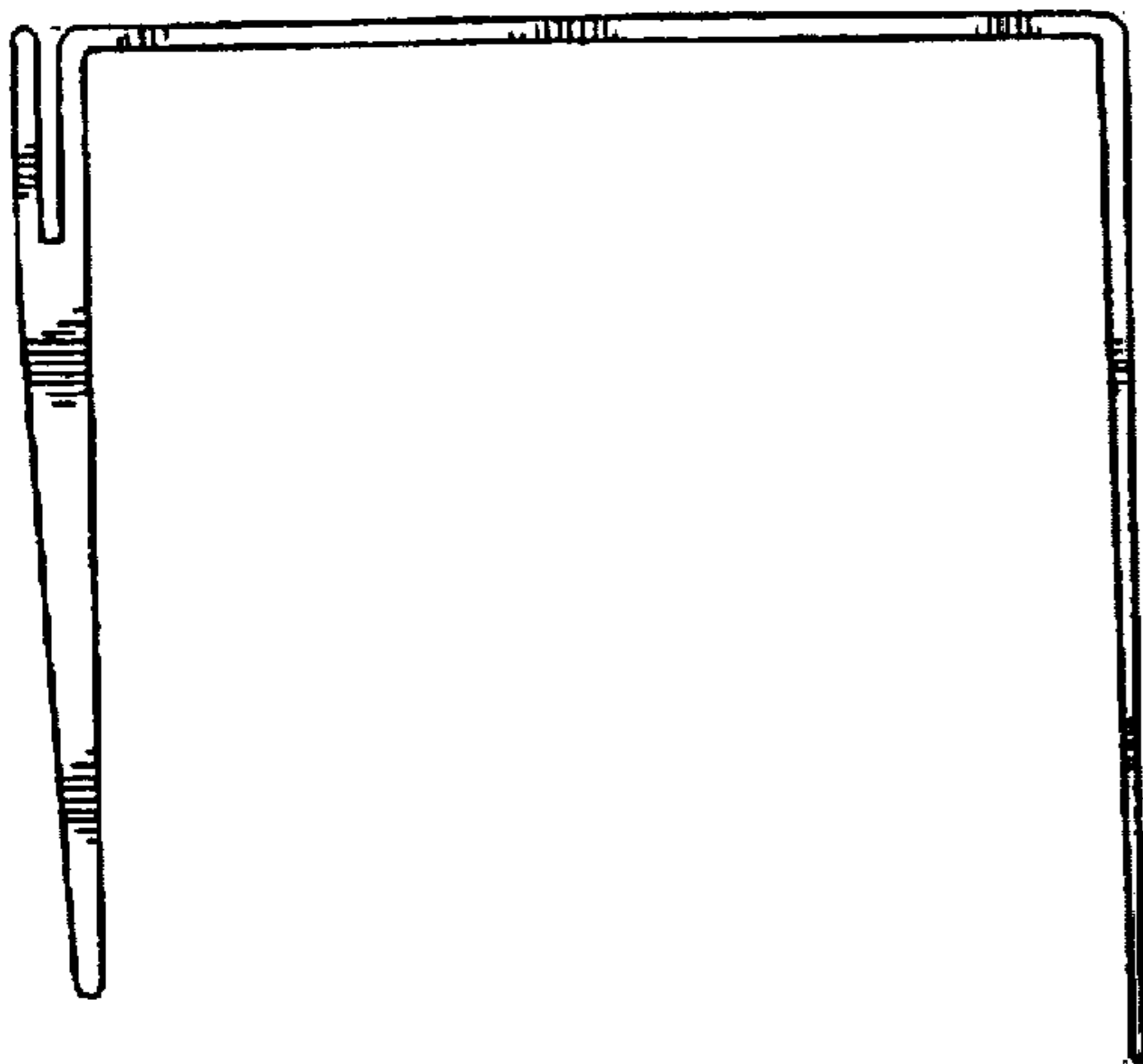


FIG 5

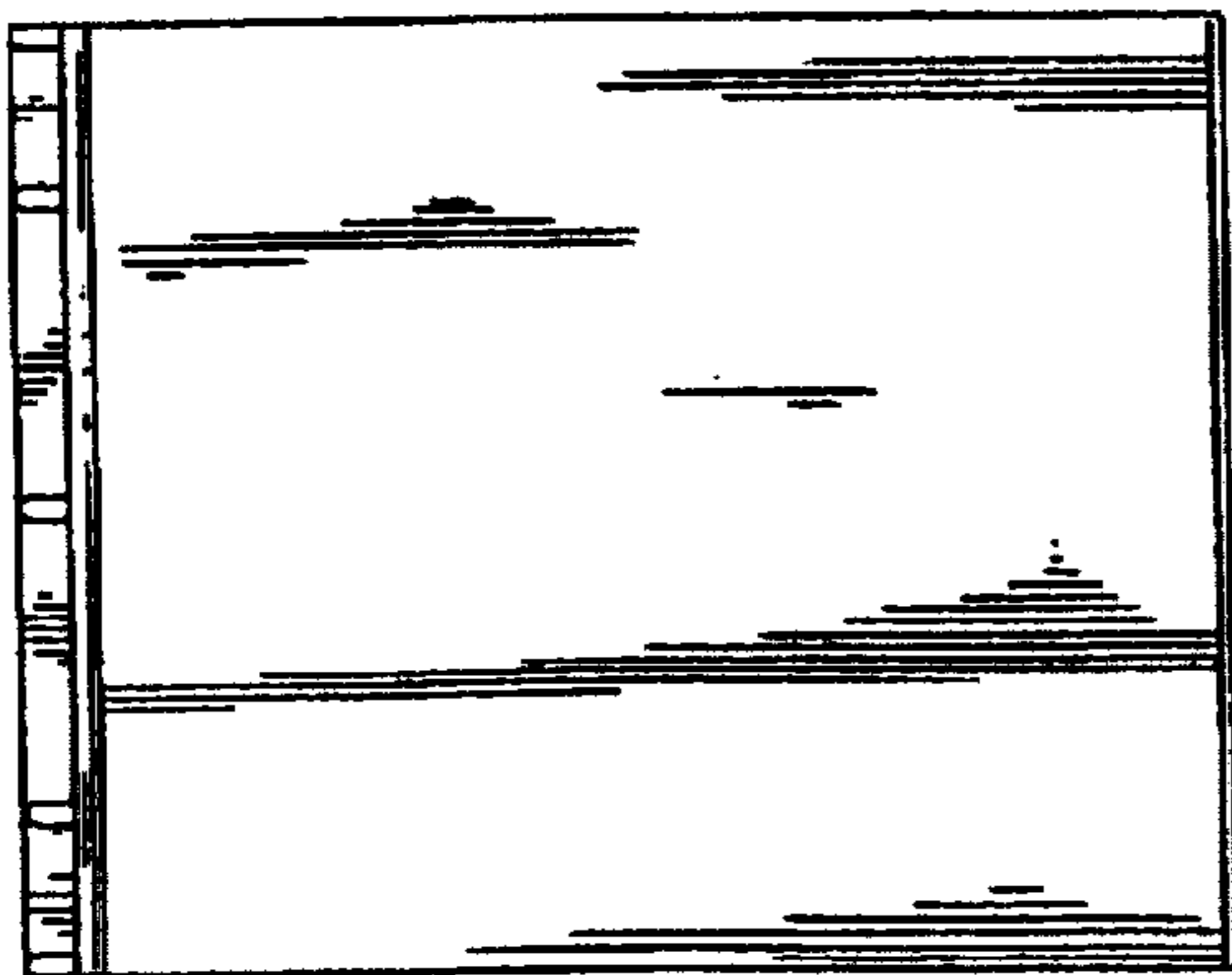


FIG 7