

US00D392545S

United States Patent [19]
Nakamura

[11] **Patent Number: Des. 392,545**
[45] **Date of Patent: **Mar. 24, 1998**

[54] **ELECTRONIC COMPONENT SPACER**

[75] **Inventor: Toshinobu Nakamura, Tokyo, Japan**

[73] **Assignee: Shinagawa Shoko Co., Ltd., Tokyo, Japan**

[**] **Term: 14 Years**

[21] **Appl. No.: 69,570**

[22] **Filed: Apr. 29, 1997**

[30] **Foreign Application Priority Data**

Jan. 24, 1997 [JP] Japan 9-1390

[51] **LOC (6) Cl. 08-05**

[52] **U.S. Cl. D8/354**

[58] **Field of Search D8/354, 382; 174/138 D;
24/205, 453, 136 R; 403/400.1; 248/73,
71, 74.2, 74.3**

[56] **References Cited**

U.S. PATENT DOCUMENTS

D. 295,369	4/1988	Niwa	D8/354
D. 299,005	12/1988	Fujimoto	D8/354 X
D. 324,168	2/1992	Fujioka	D8/354
D. 326,605	6/1992	Nakanura	D8/382
D. 336,604	6/1993	Fujimoto	D8/354
4,495,548	1/1985	Matsui	174/138 D
4,966,482	10/1990	Fujimoto	174/138 D X

Primary Examiner—Susan J. Lucas
Assistant Examiner—Cynthia F. Ramirez
Attorney, Agent, or Firm—Banner & Witcoff, Ltd.

[57] **CLAIM**

The ornamental design for an electronic component spacer, as shown and described.

DESCRIPTION

FIG. 1 is a perspective view of an electronic component spacer embodying the present design;
FIG. 2 is a front view thereof;
FIG. 3 is a rear view thereof;
FIG. 4 is a top plan view thereof;
FIG. 5 is a bottom view thereof;
FIG. 6 is a left side view thereof;
FIG. 7 is a right side view thereof;
FIG. 8 is a perspective view thereof in an opened state;
FIG. 9 is a front view thereof in an opened state;
FIG. 10 is a rear view thereof in an opened state;
FIG. 11 is a top plan view thereof in an opened state;
FIG. 12 is a bottom view thereof in an opened state;
FIG. 13 is a left side view thereof in an opened state;
FIG. 14 is a right side view thereof in an opened state; and
FIG. 15 is a typical referential front view thereof when it is used.
The elements shown in broken lines in FIG. 15 are for illustrative purposes only and form no part of the claimed design.

1 Claim, 5 Drawing Sheets

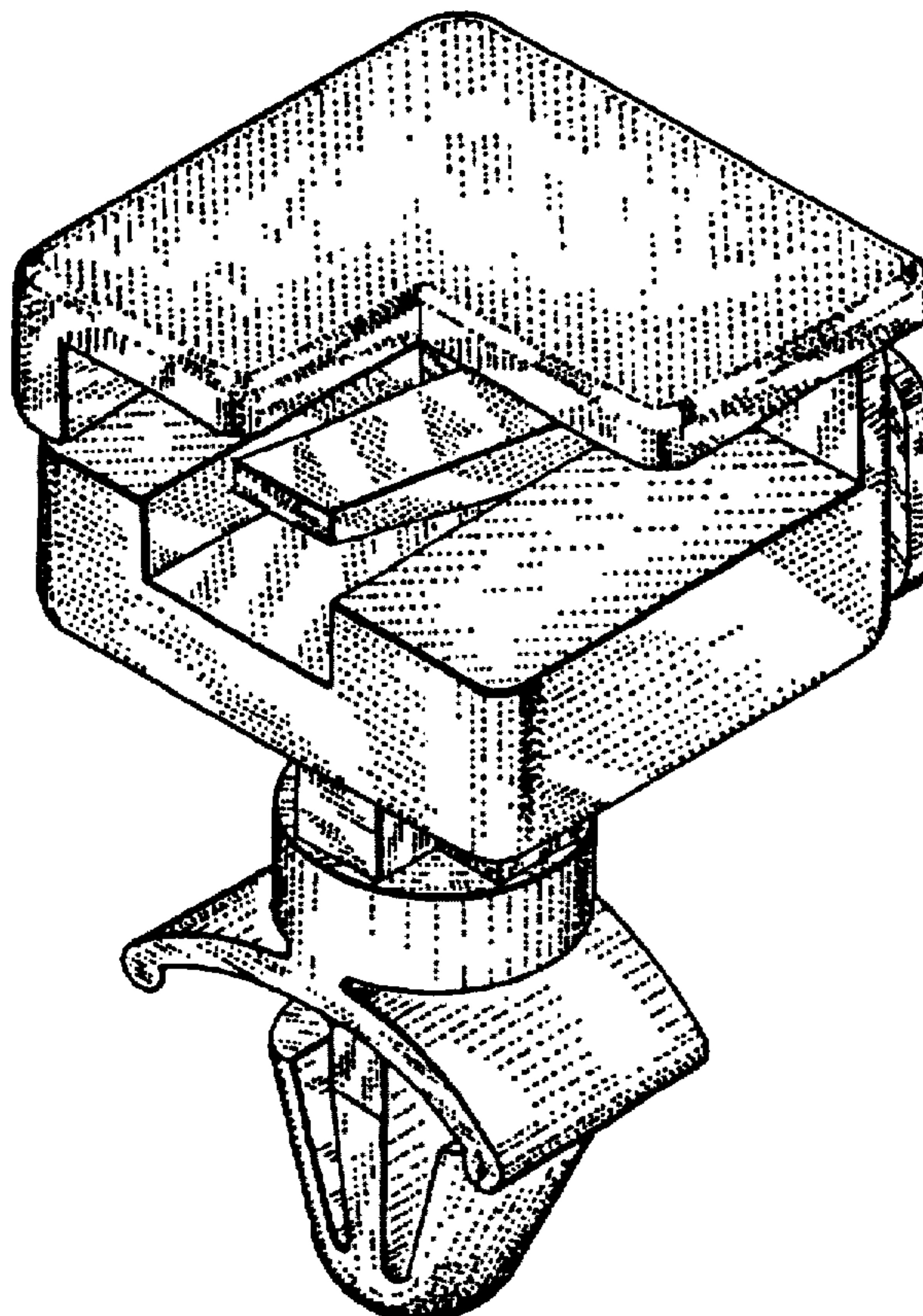


FIG. 1

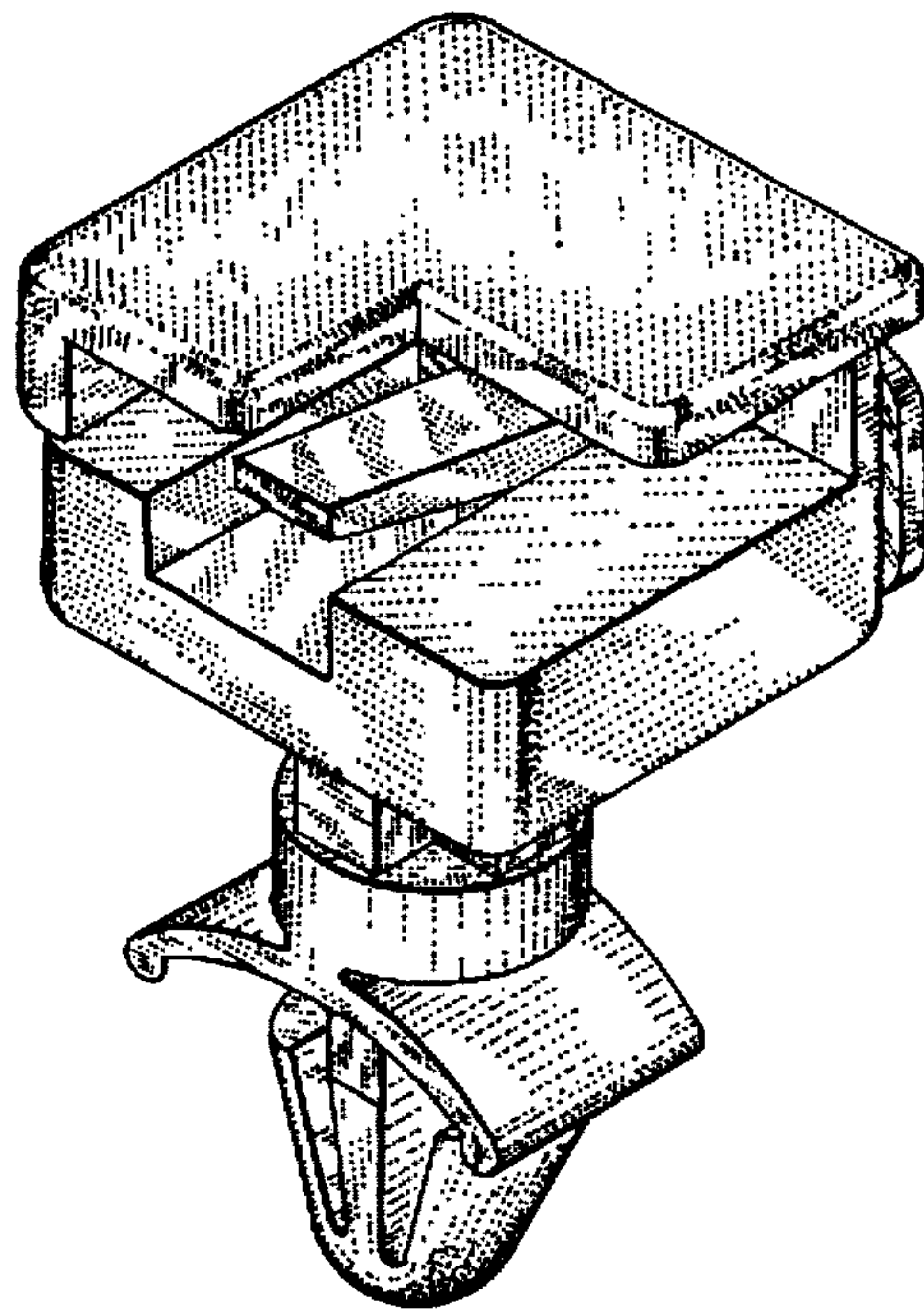


FIG. 2

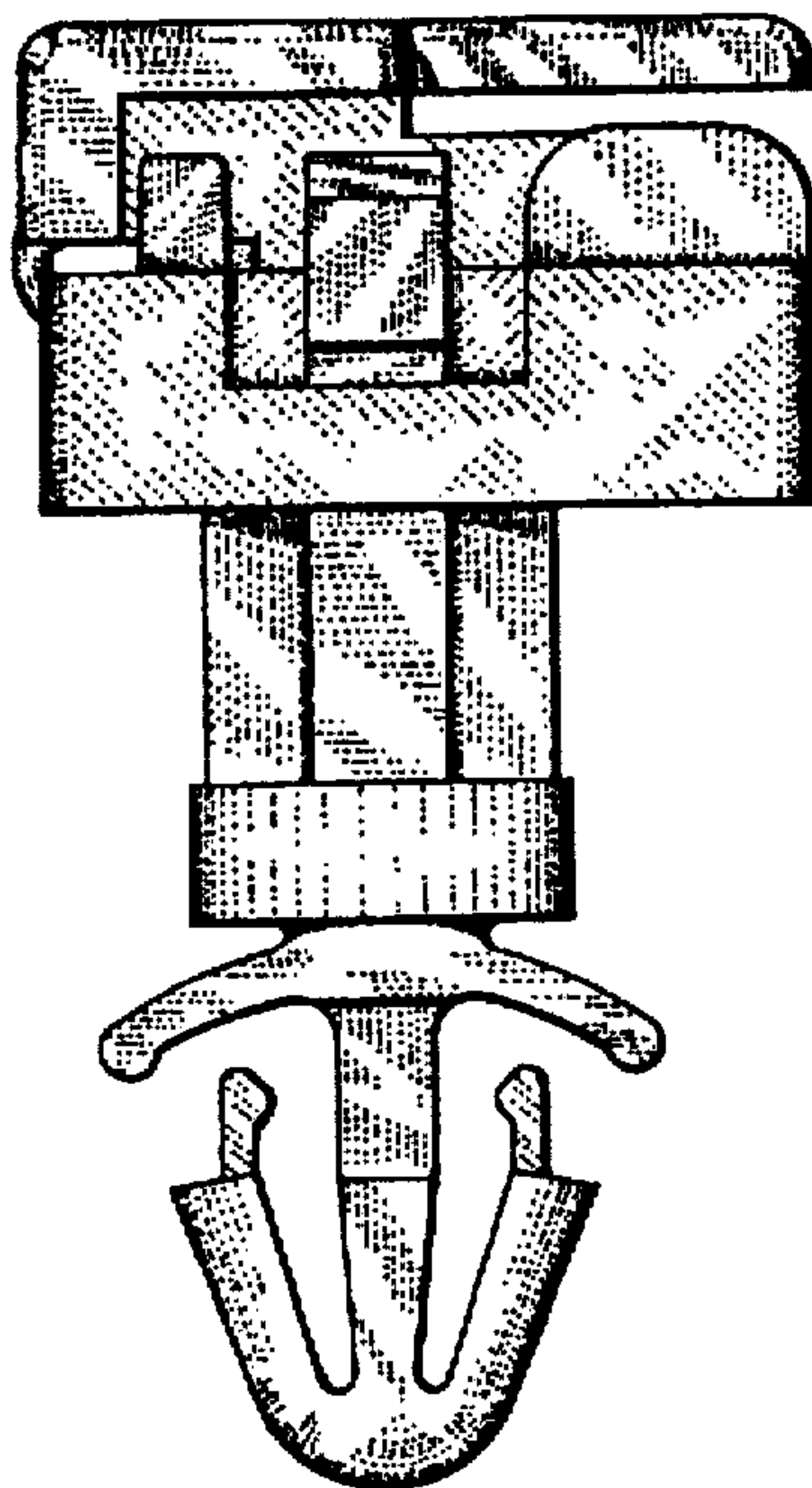


FIG. 3

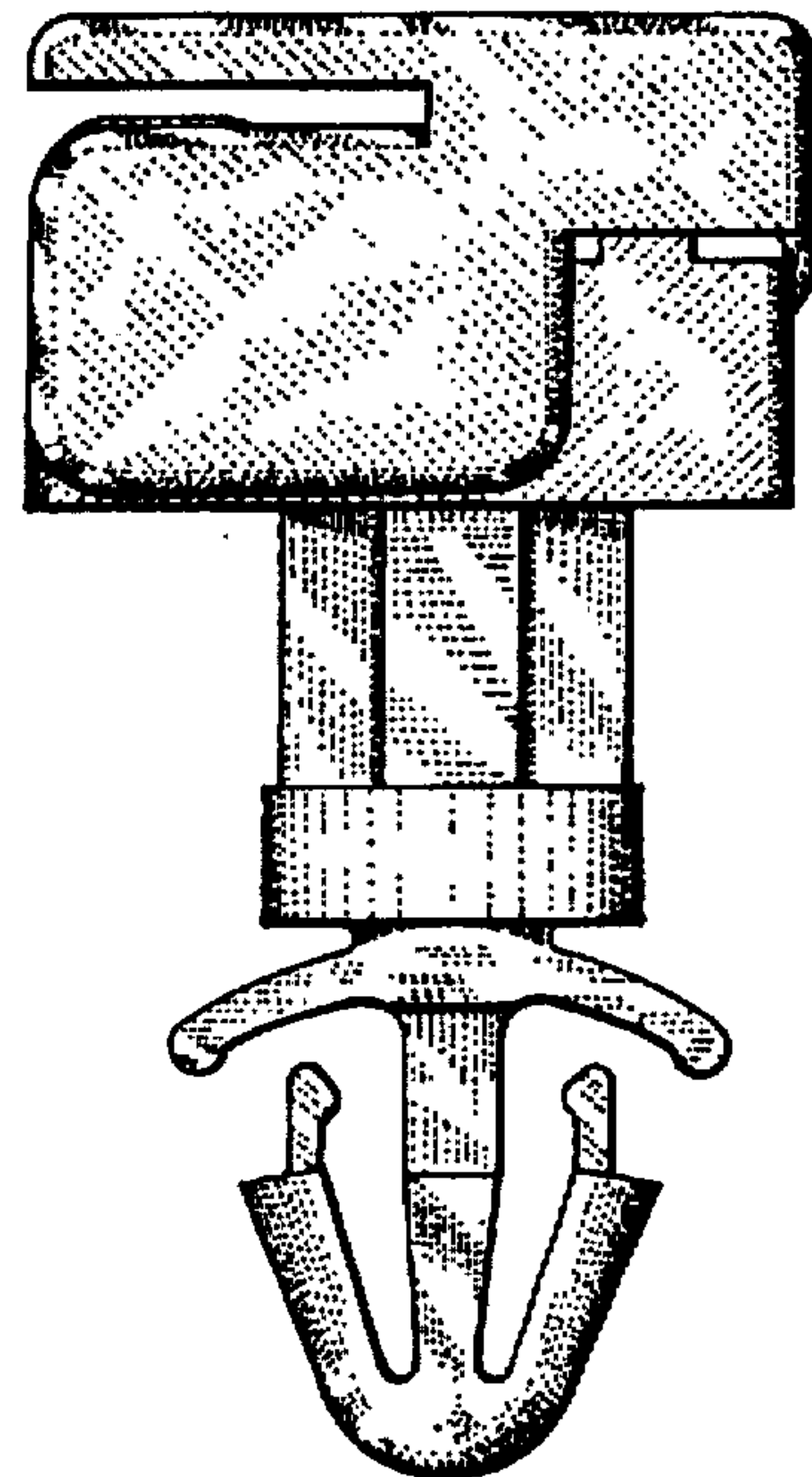


FIG. 4

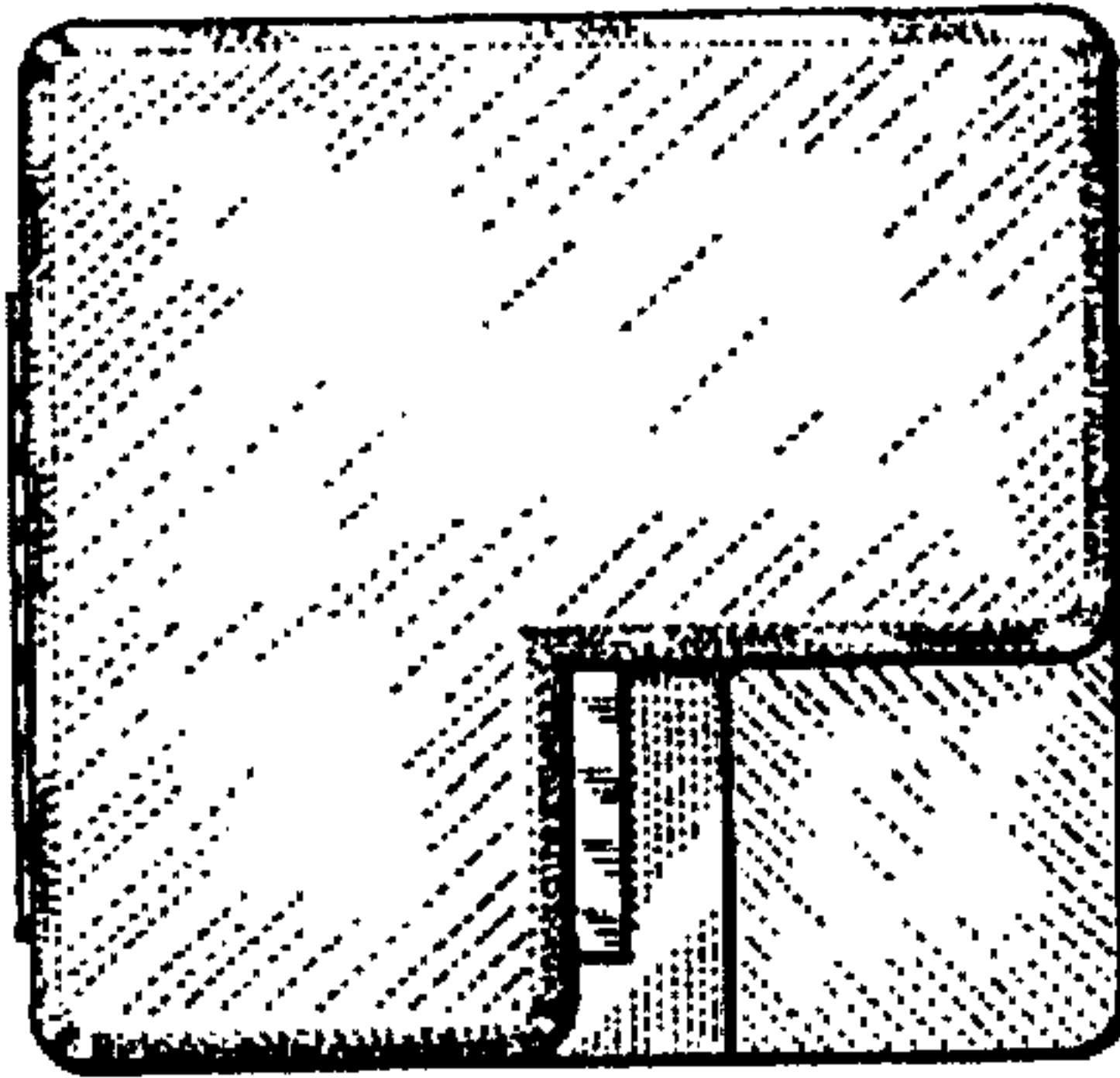


FIG. 5

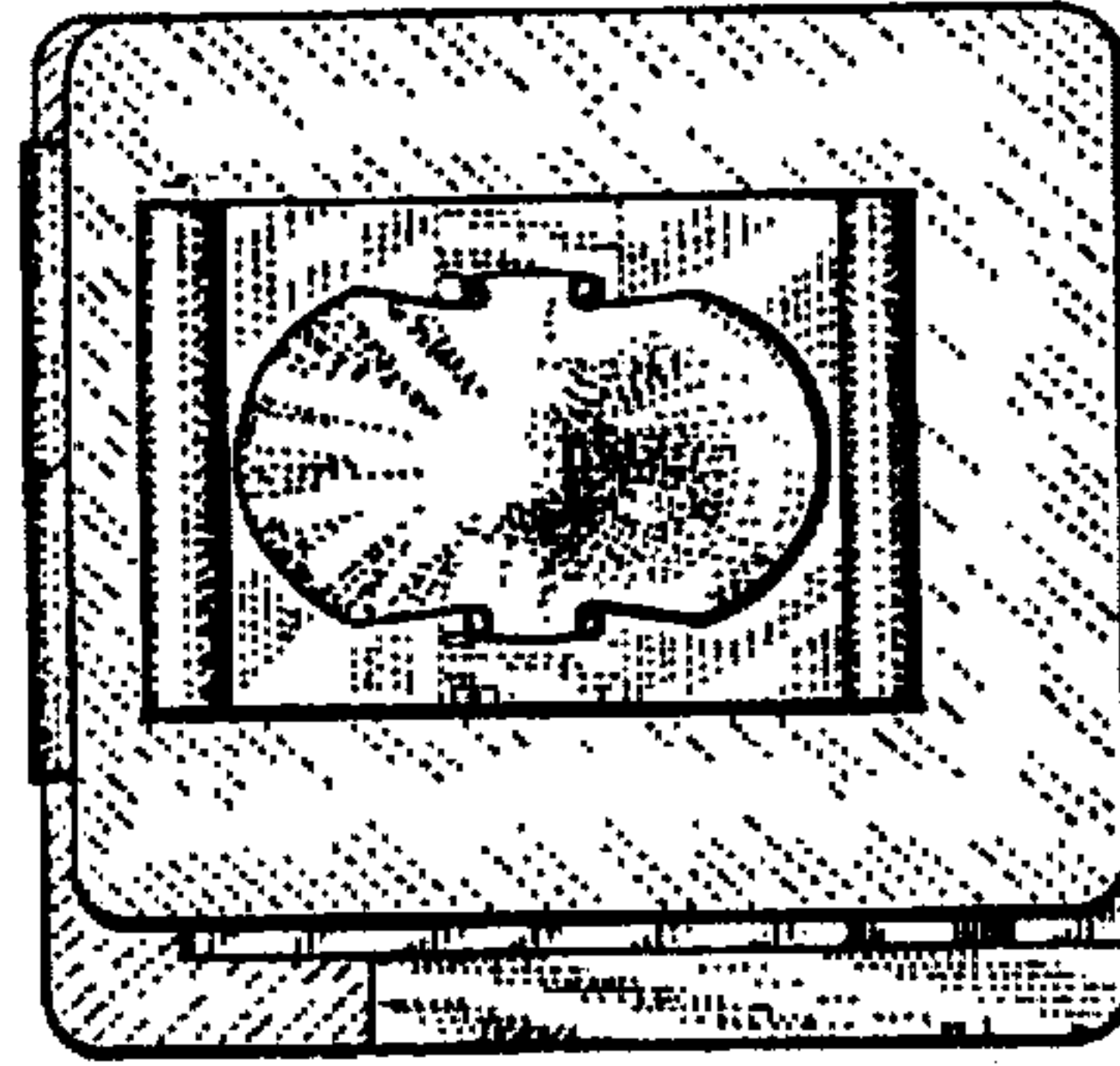


FIG. 6

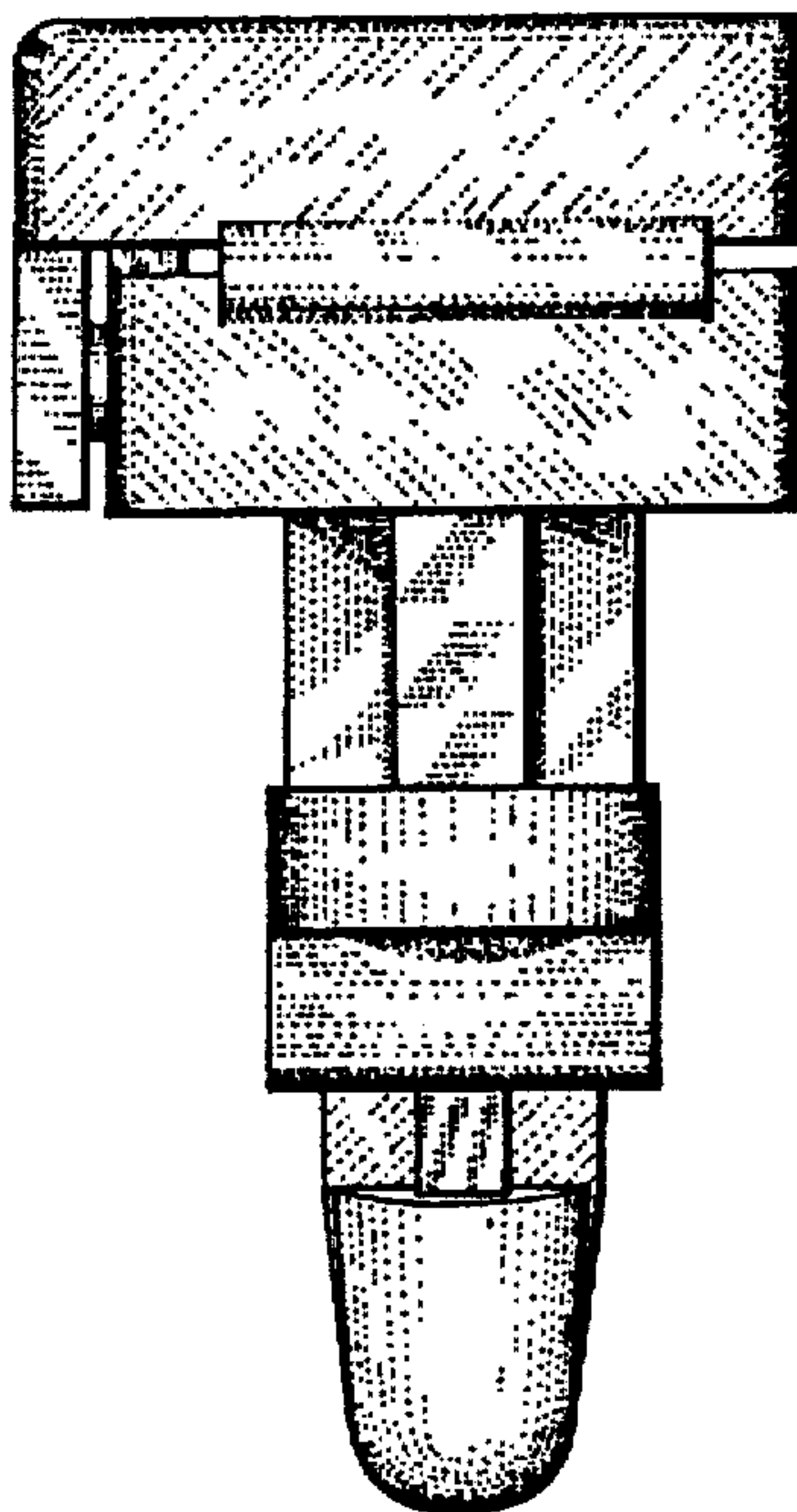


FIG. 7

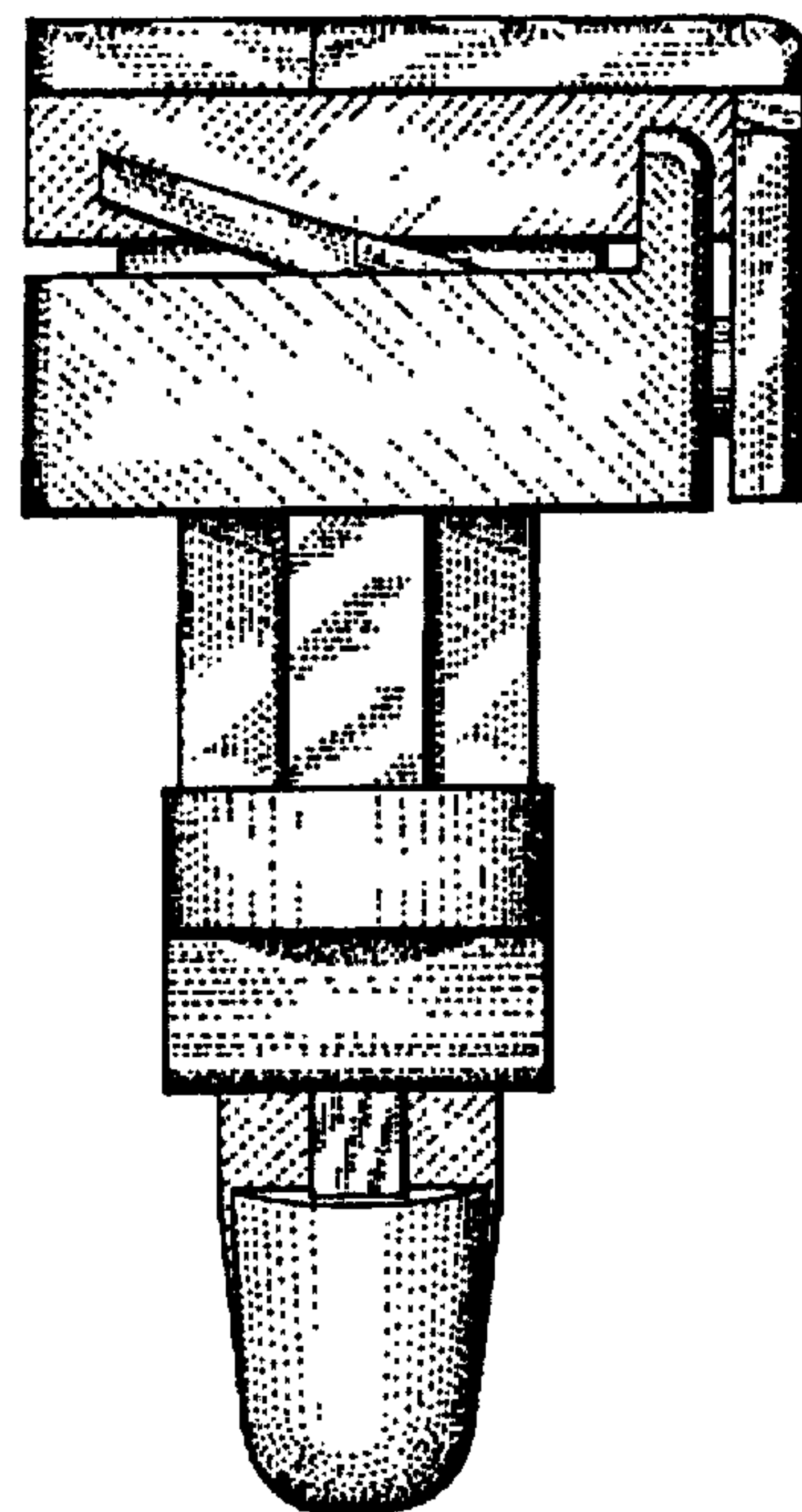


FIG. 8

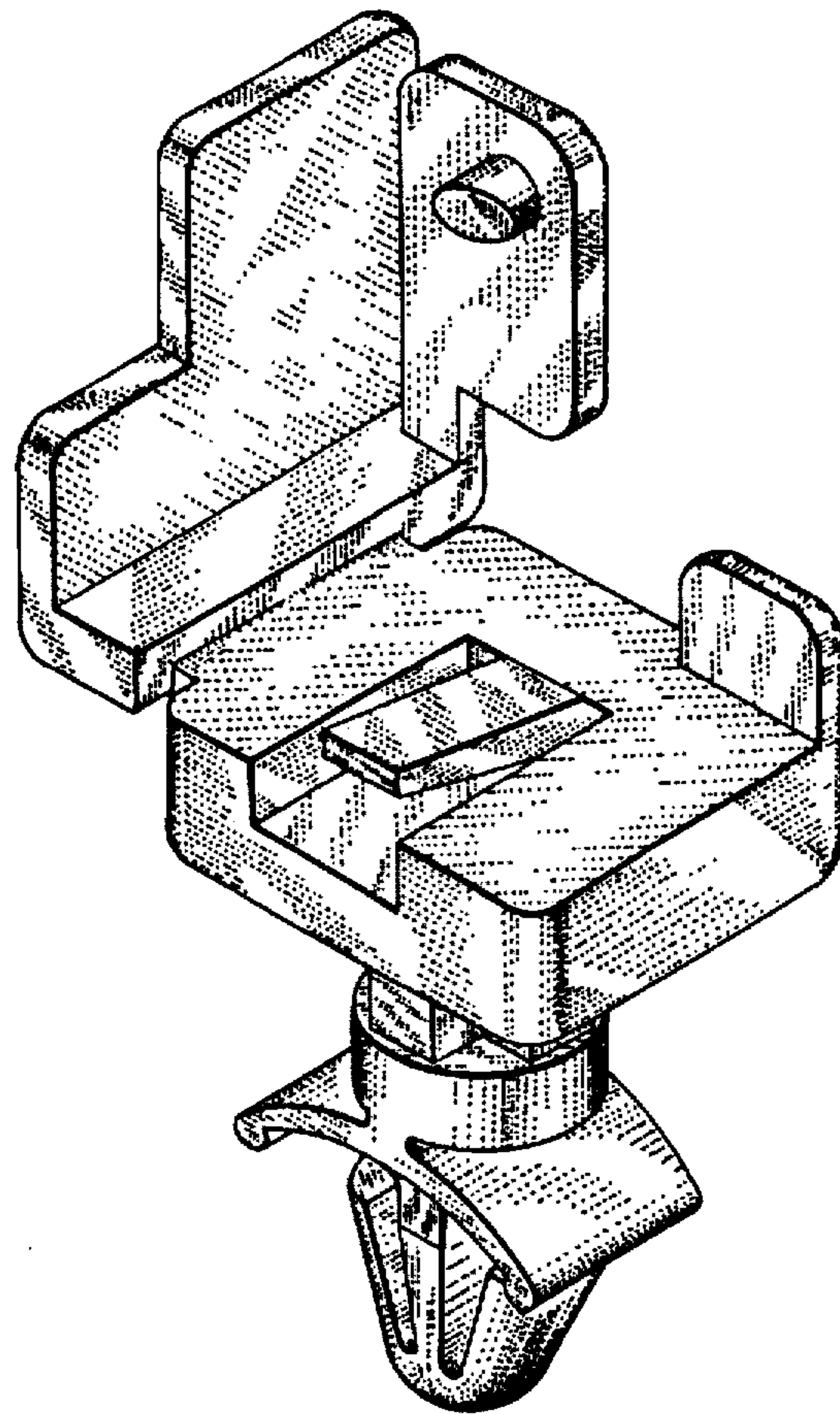


FIG. 9

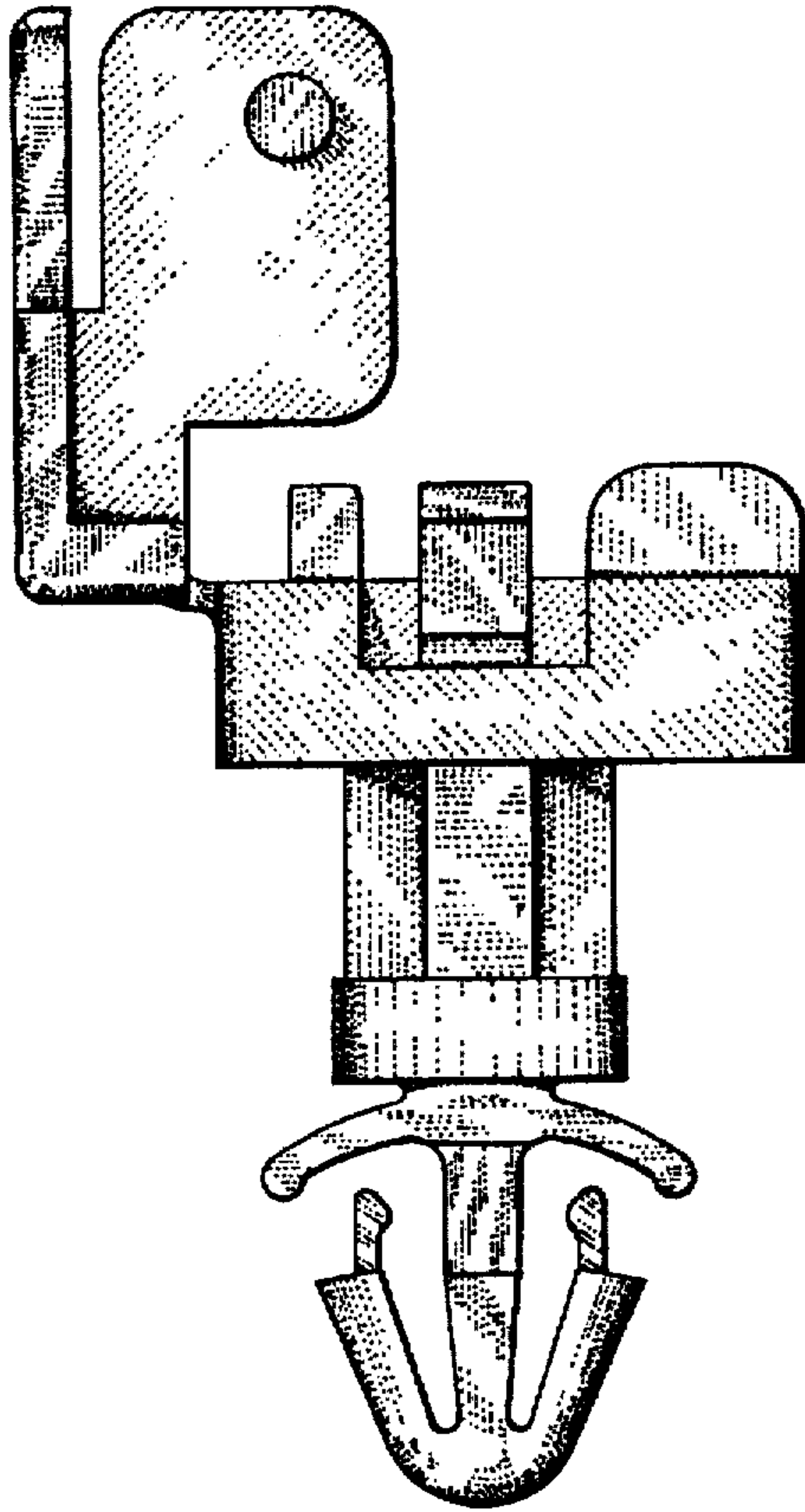


FIG. 10

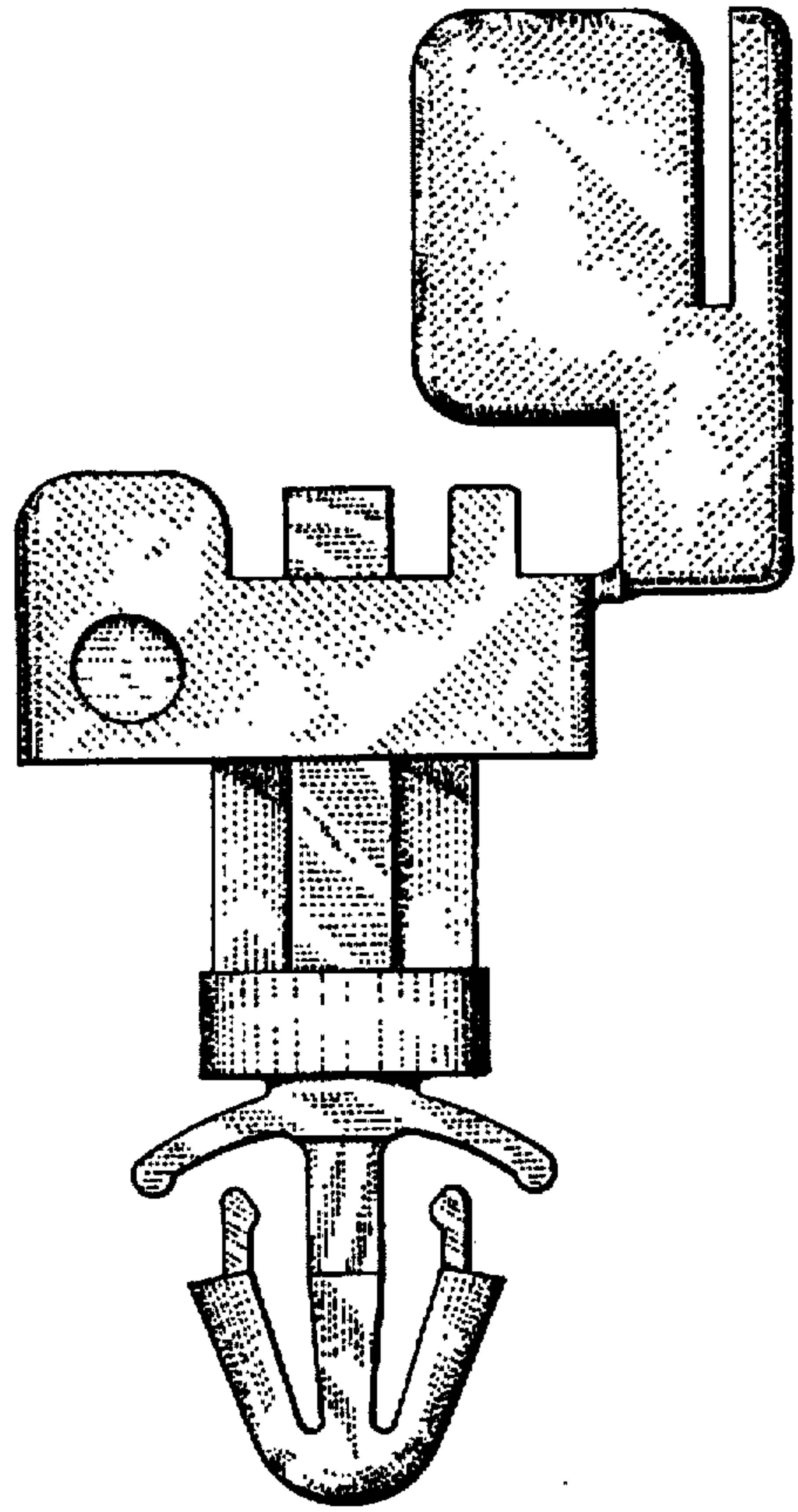


FIG. 11

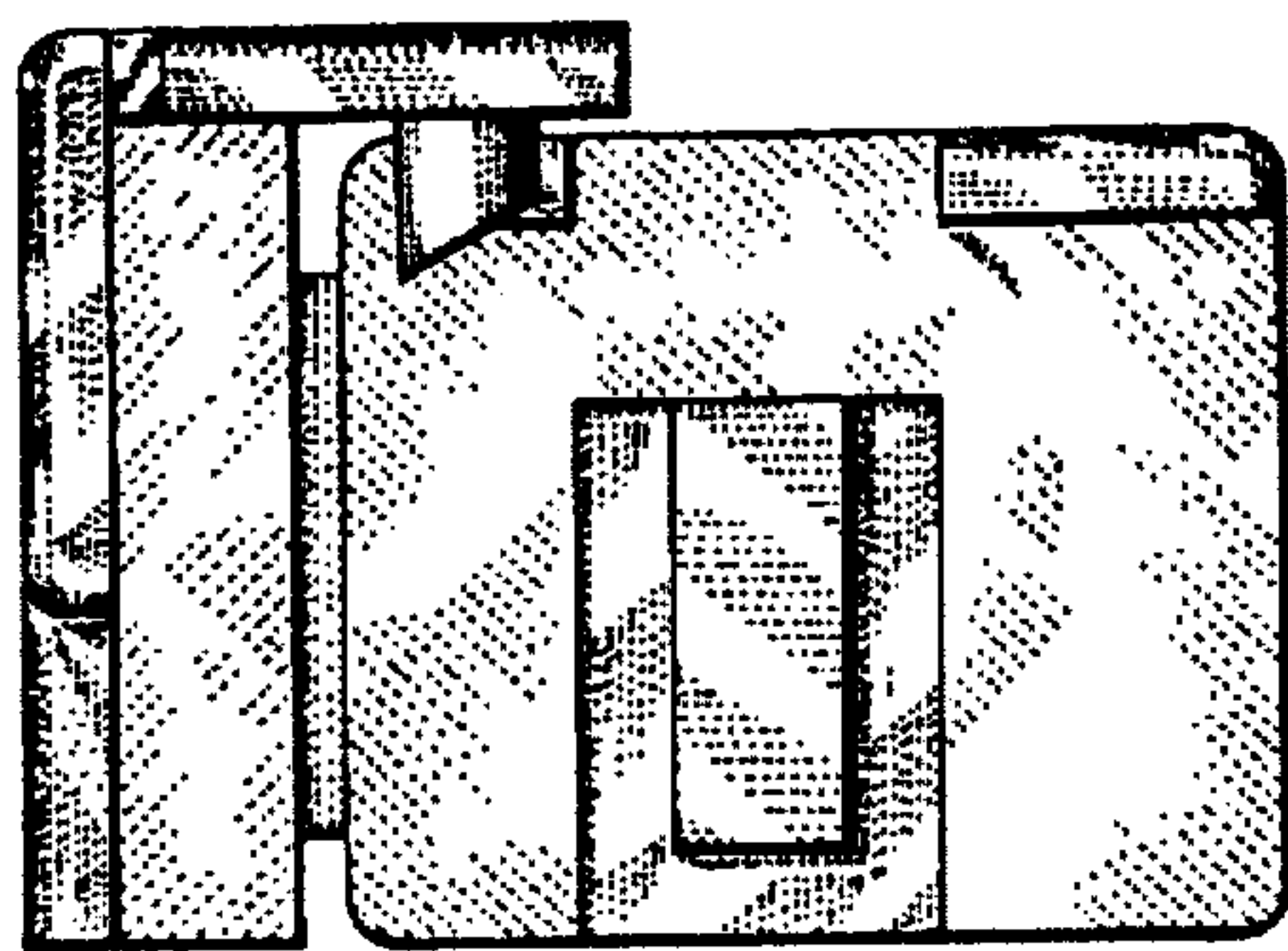


FIG. 12

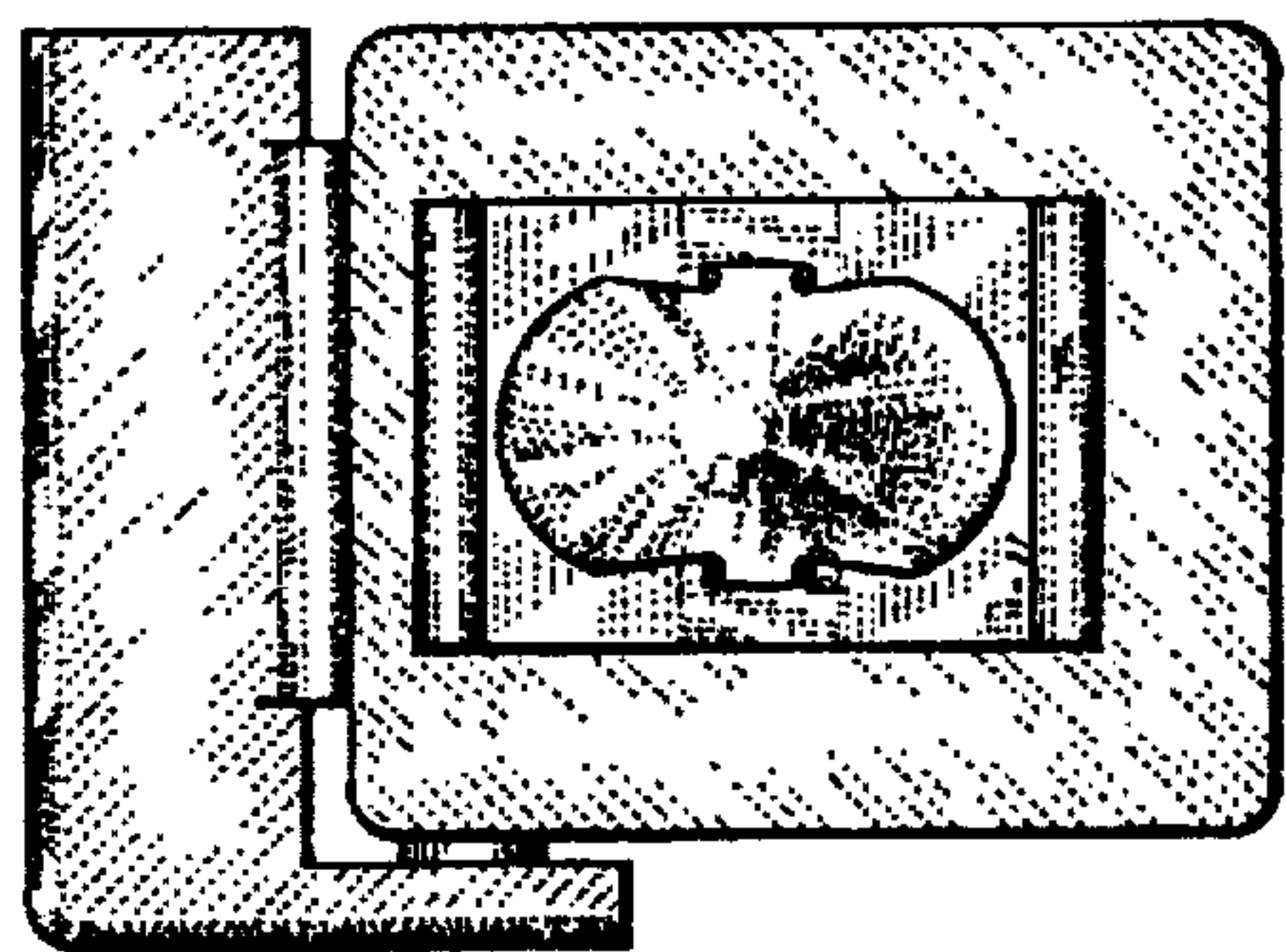


FIG. 13

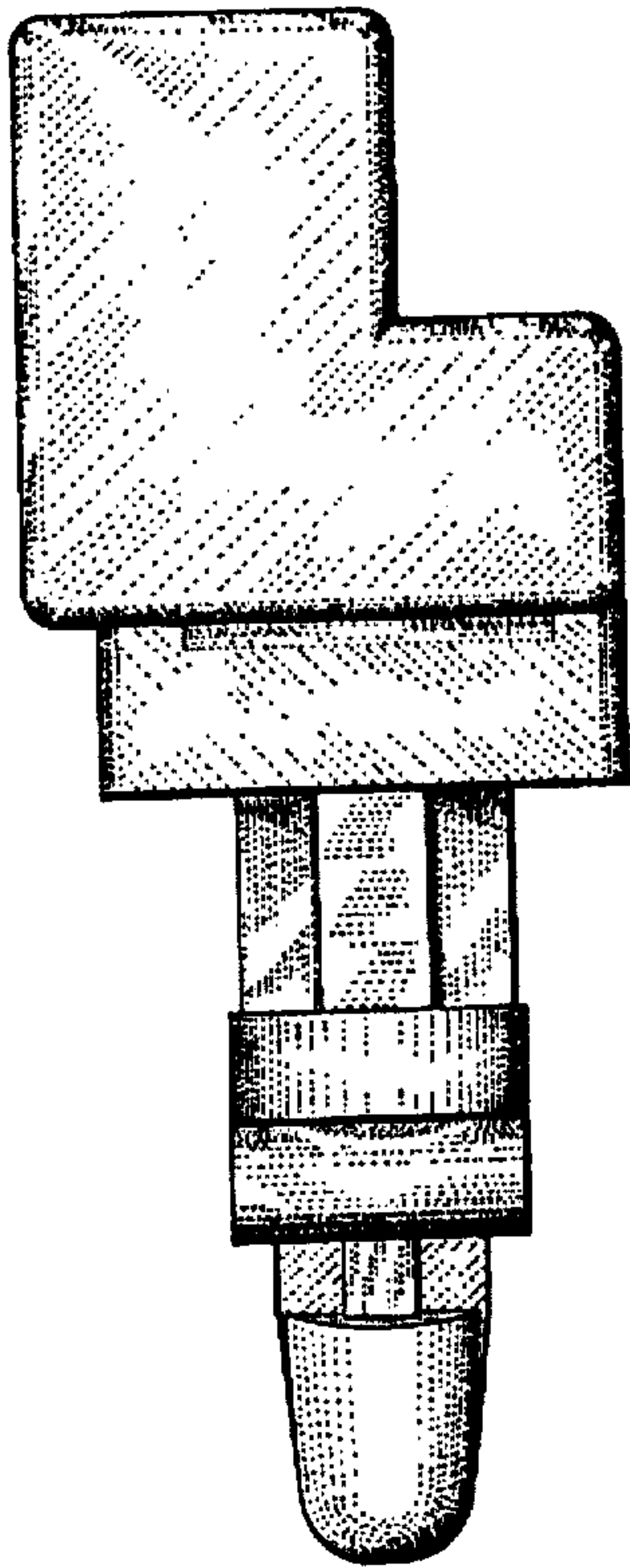


FIG. 14

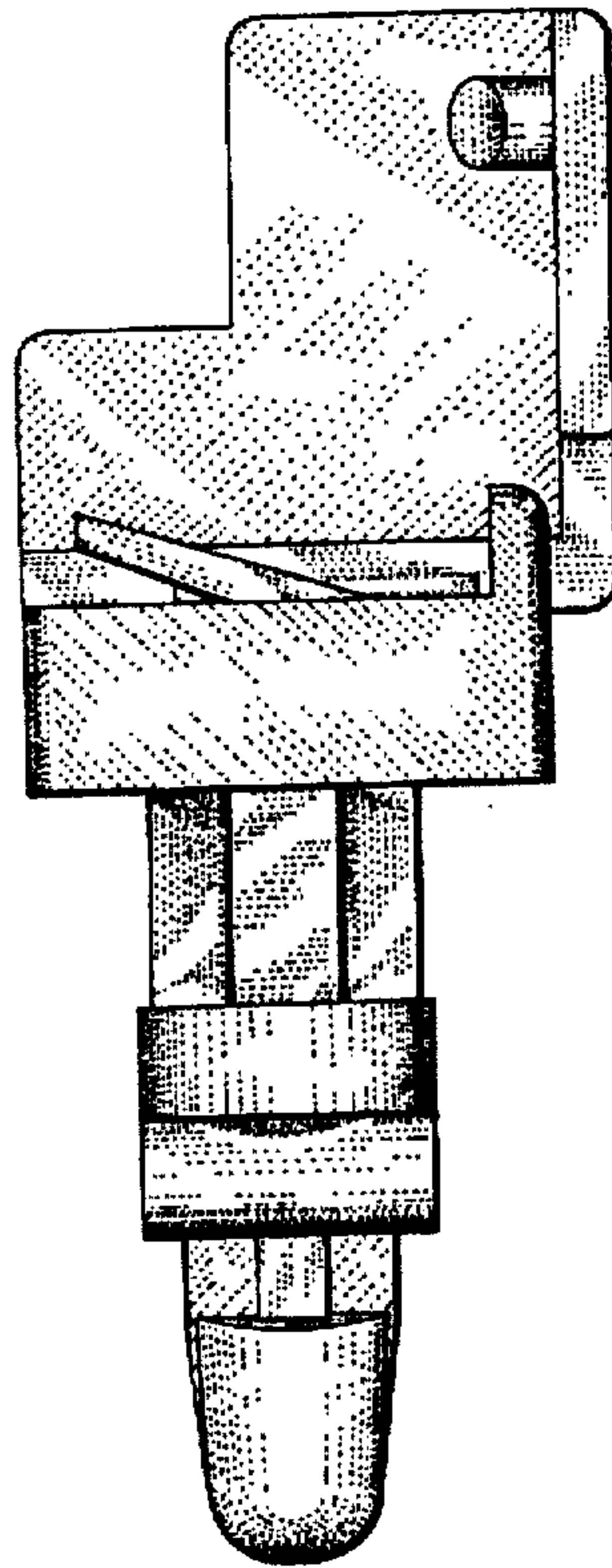


FIG. 15

