



US00D392542S

# United States Patent [19]

[11] Patent Number: **Des. 392,542**

Ito et al.

[45] Date of Patent: **\*\*Mar. 24, 1998**

[54] **BRACKET FOR A HAMMER**

*Primary Examiner*—Holly Baynham

[75] Inventors: **Masanori Ito; Toshio Okita; Koza Fujita**, all of Toyohashi, Japan

*Attorney, Agent, or Firm*—Dennison, Meserole, Pollack & Scheiner

[73] Assignee: **Teisaku Corporation**, Aichi-ken, Japan

[57] **CLAIM**

[\*\*] Term: **14 Years**

The ornamental design for a bracket for a hammer, as shown and described.

[21] Appl. No.: **66,818**

**DESCRIPTION**

[22] Filed: **Mar. 10, 1997**

FIG. 1 is a perspective view of a bracket for a hammer showing our new design;

[30] **Foreign Application Priority Data**

Sep. 10, 1996 [JP] Japan ..... 8-27090

FIG. 2 is a front elevational view thereof;

[51] LOC (6) Cl. .... **08-05**

FIG. 3 is a rear elevational view thereof;

[52] U.S. Cl. .... **D8/349**

FIG. 4 is a left side elevational view thereof;

[58] Field of Search ..... D8/349, 354; 248/300, 248/200, 214, 536, 539

FIG. 5 is a right side elevational view thereof;

FIG. 6 is a top plan view thereof; and,

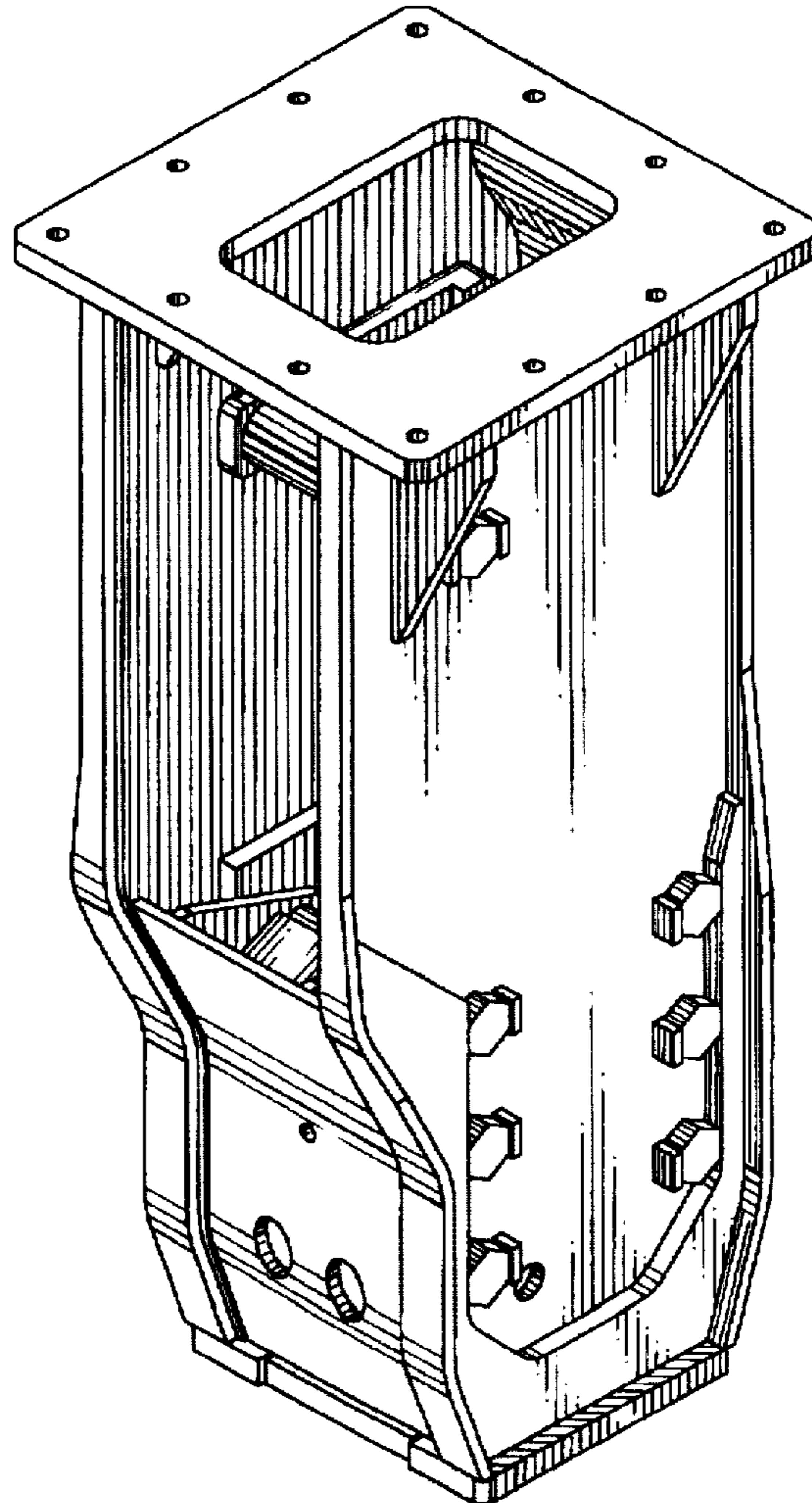
FIG. 7 is a bottom plan view thereof.

[56] **References Cited**

**U.S. PATENT DOCUMENTS**

- D. 306,446 3/1990 McGuire ..... D8/354 X
- D. 370,171 5/1996 Emerson ..... D8/354

**1 Claim, 6 Drawing Sheets**



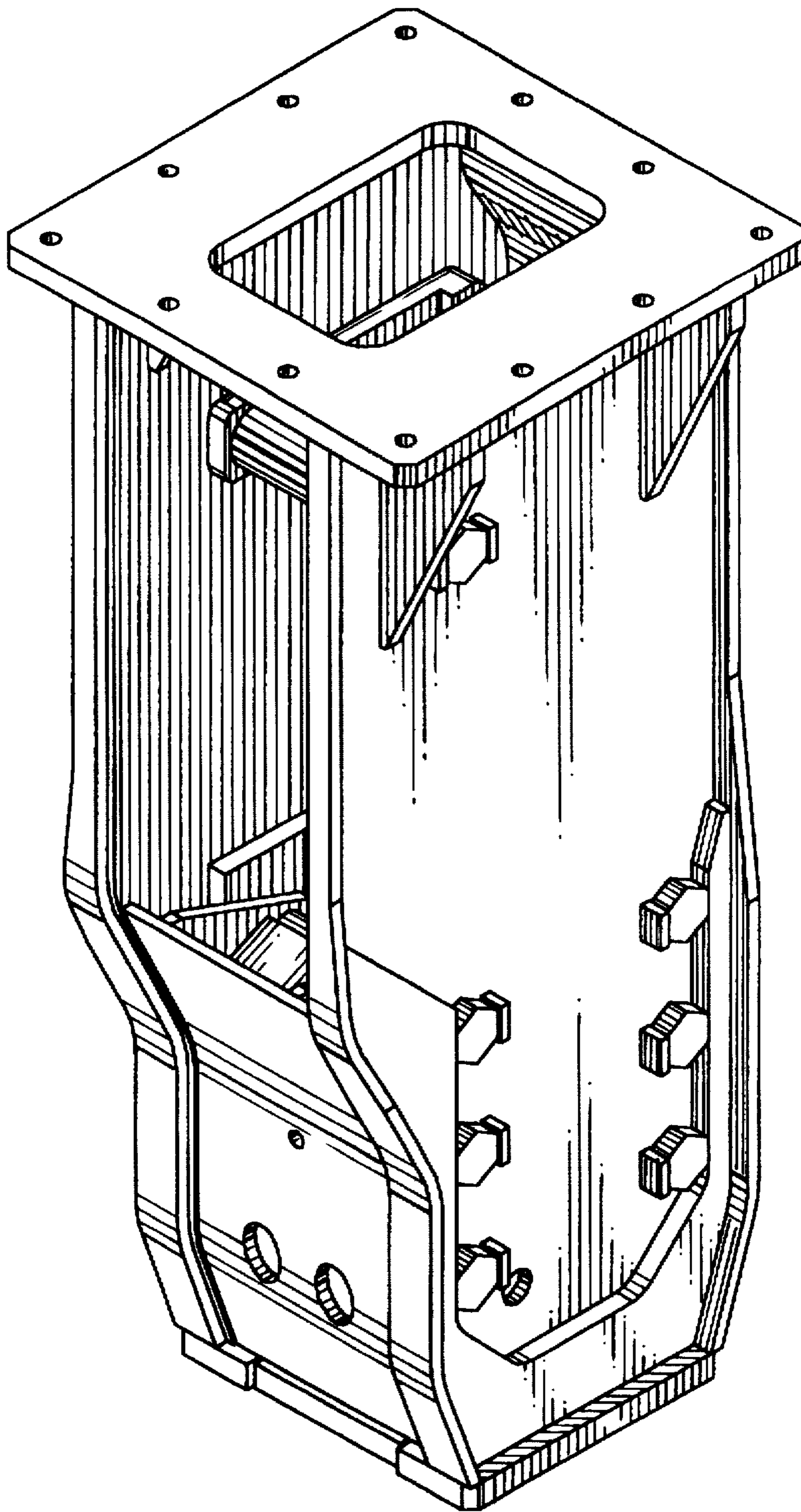


FIG. 1

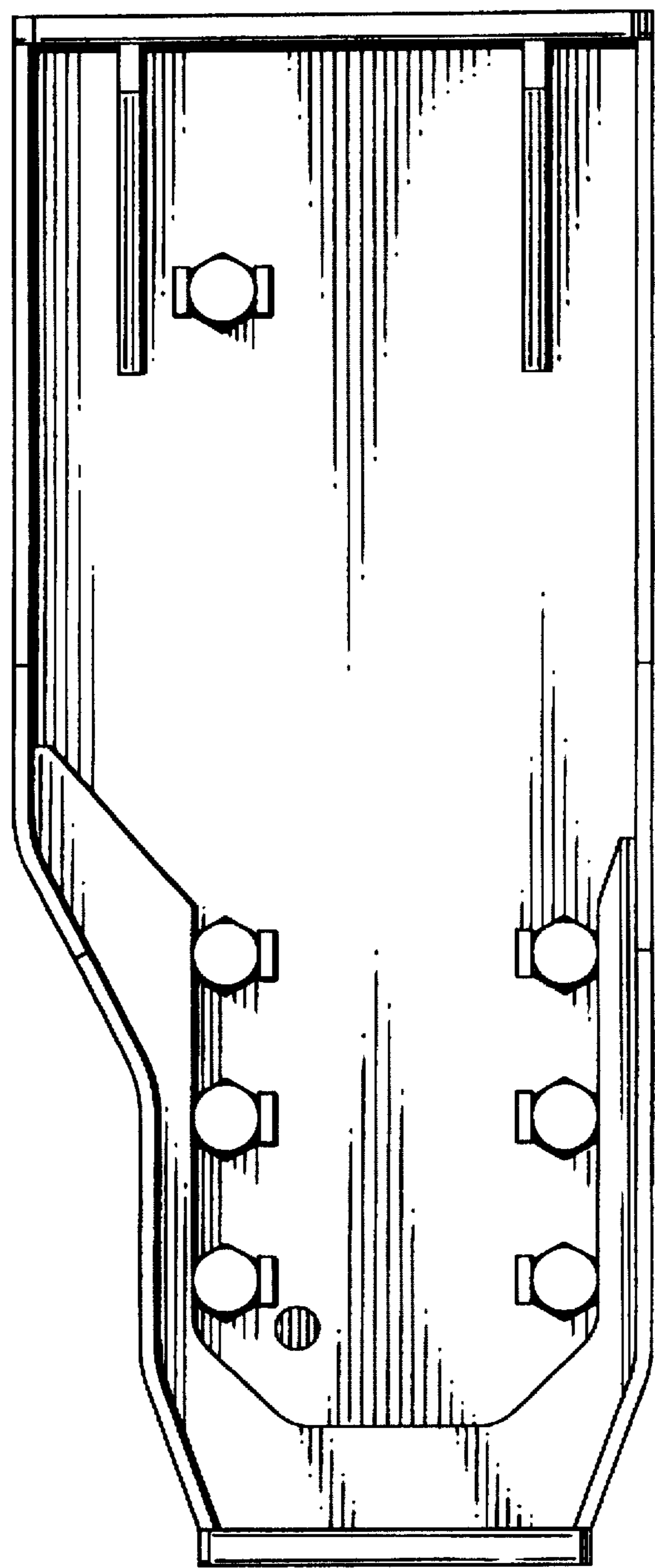


FIG. 2

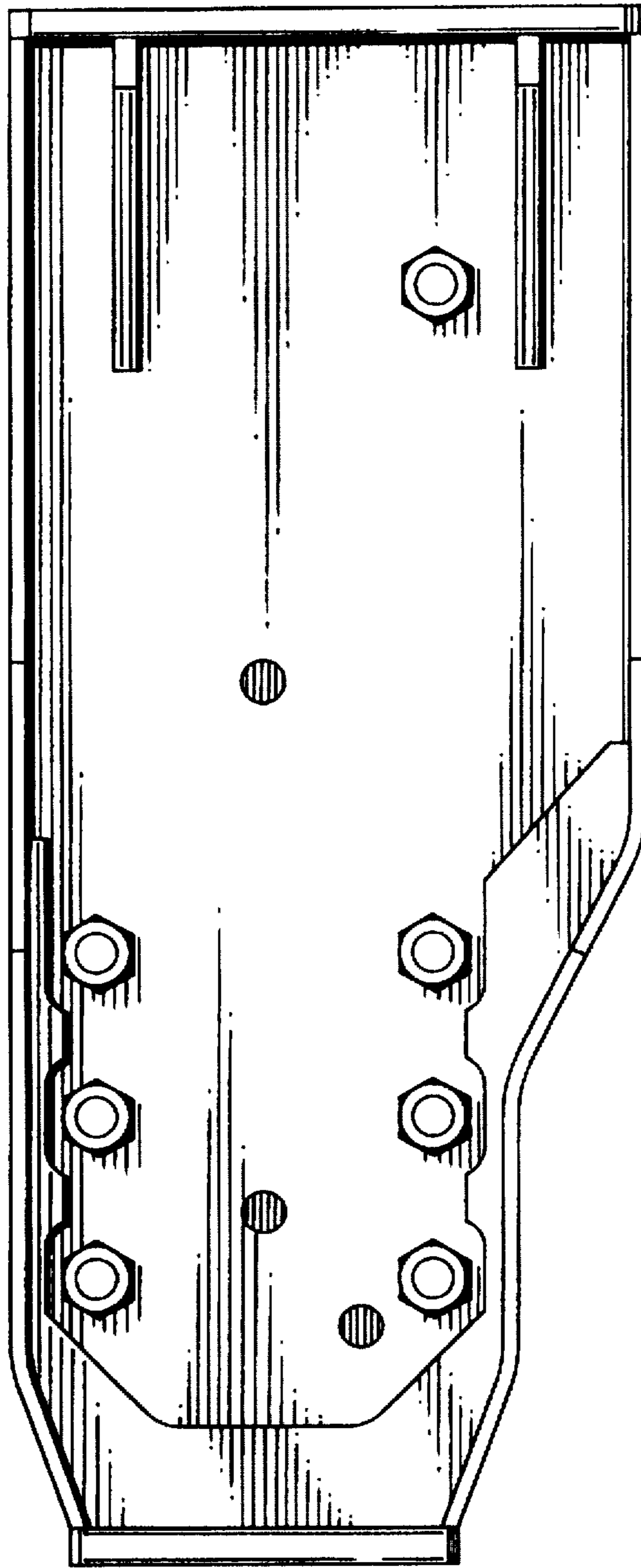


FIG. 3

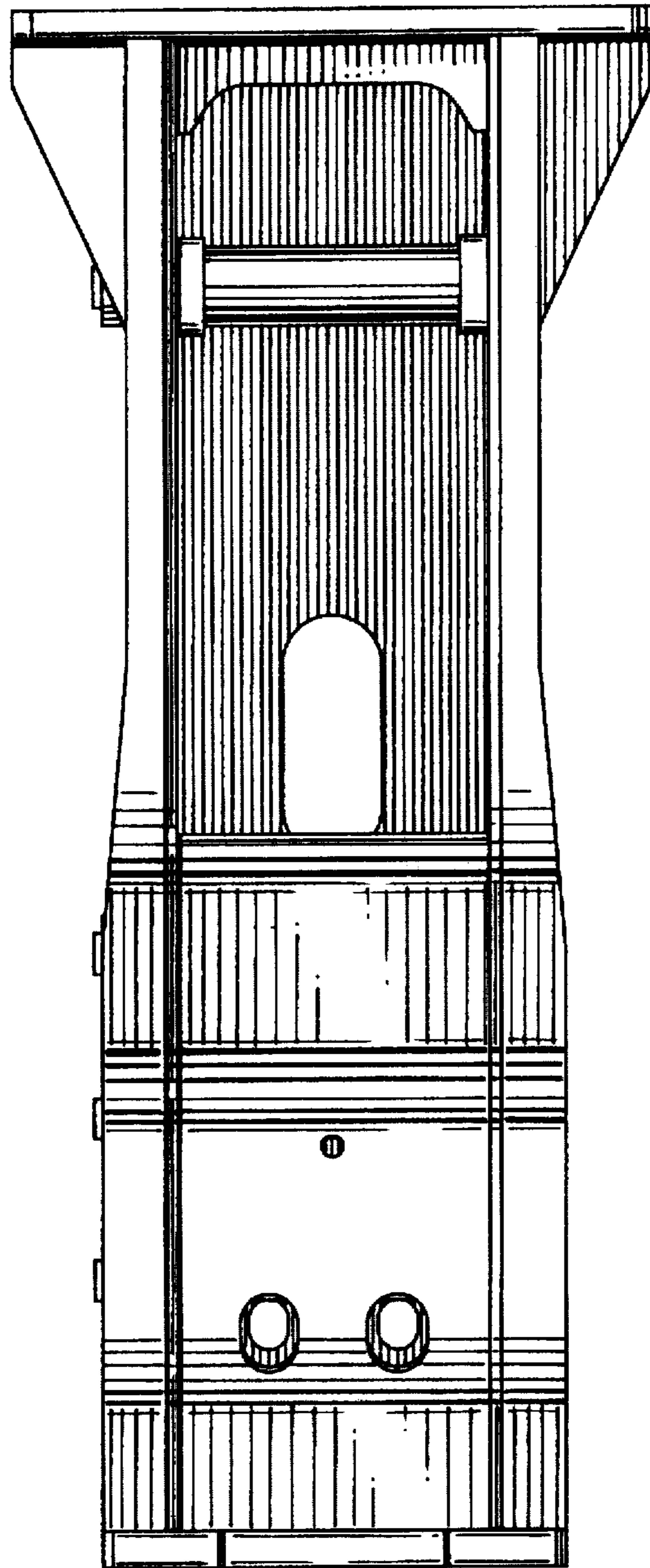


FIG. 4

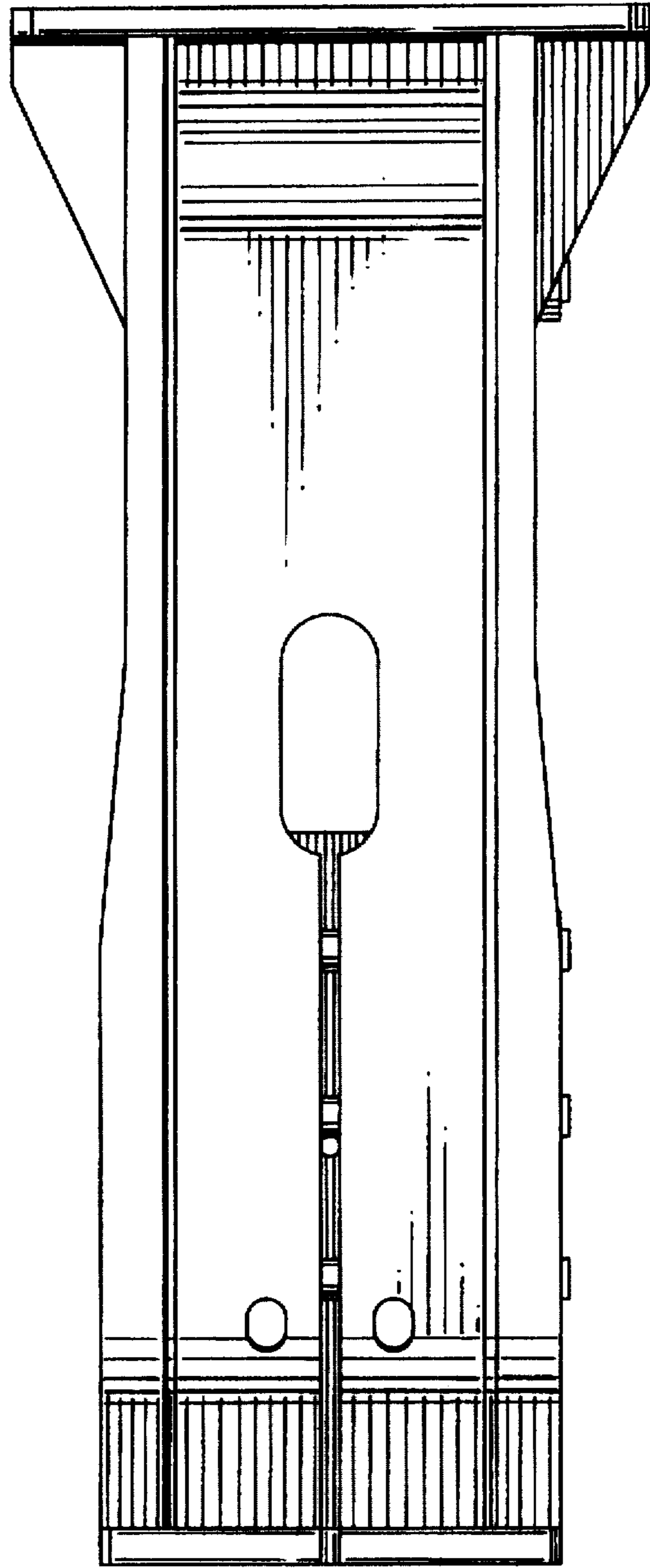


FIG. 5

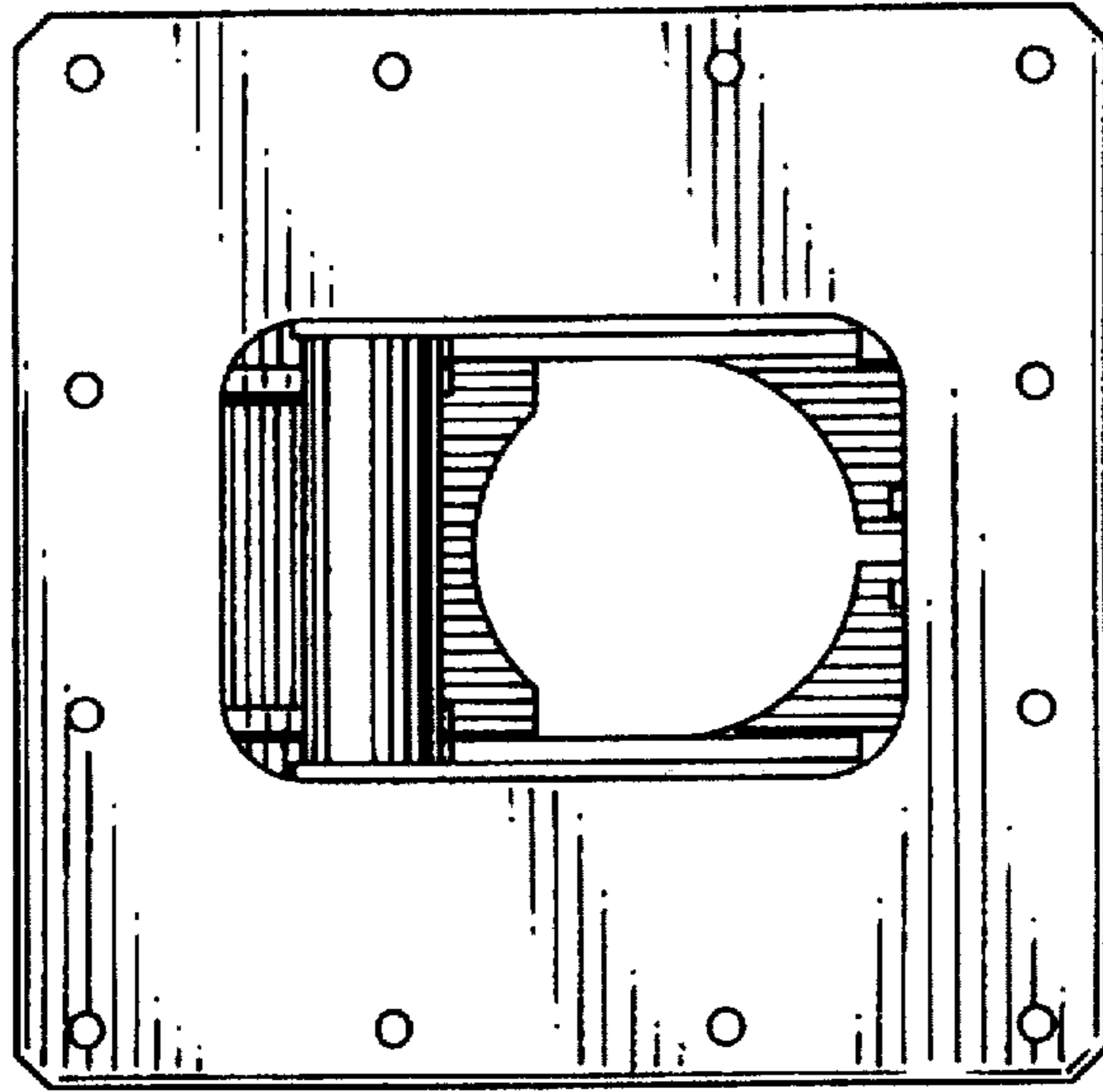


FIG. 6

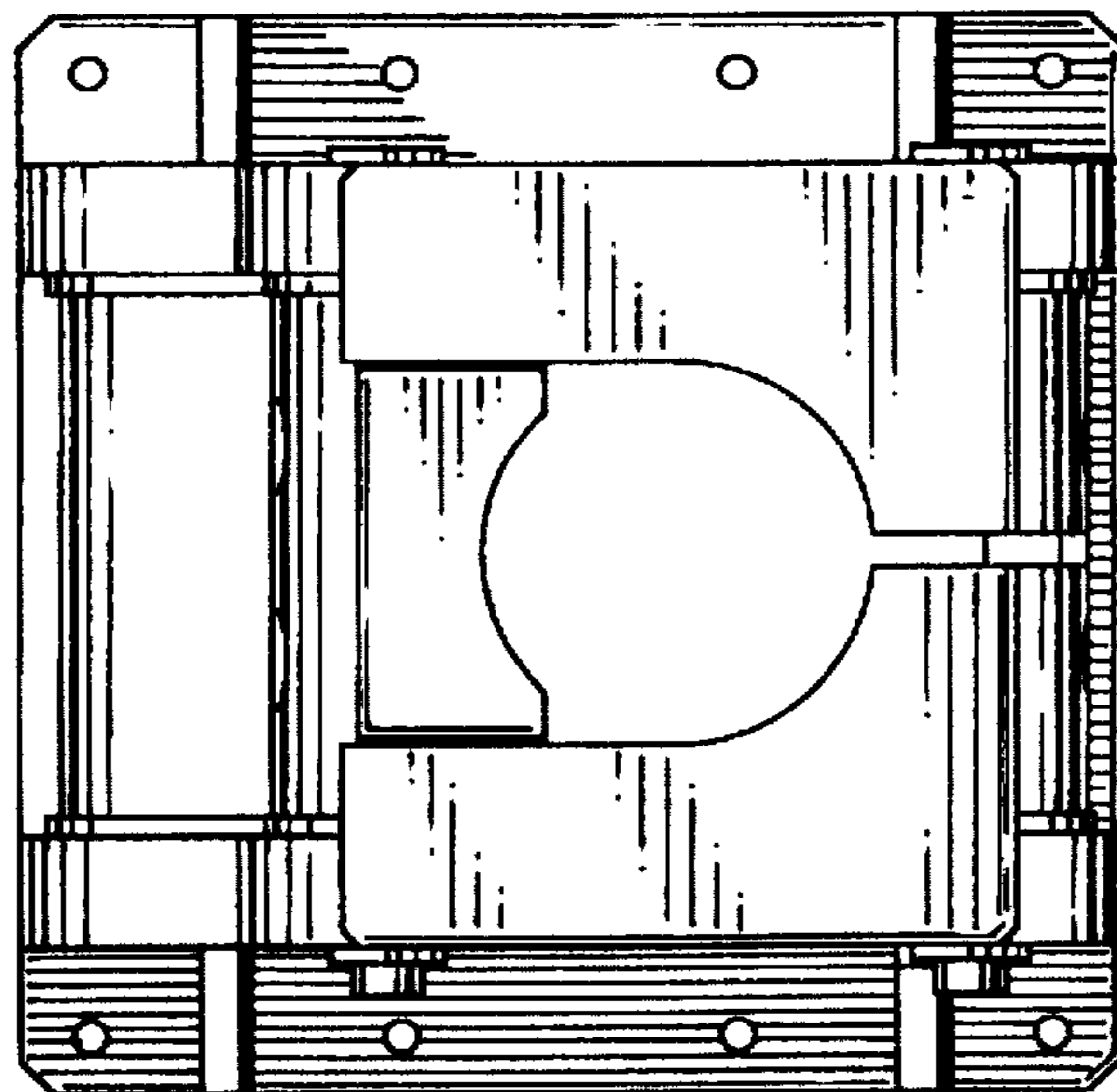


FIG. 7