

US00D392541S

**United States Patent** [19]  
**McManus**

[11] **Patent Number: Des. 392,541**  
[45] **Date of Patent: \*\*Mar. 24, 1998**

[54] **LOCKABLE BAR**

[75] **Inventor: John C. McManus, Tarzana, Calif.**

[73] **Assignee: Fastening Solutions, Inc., Van Nuys, Calif.**

[\*\*] **Term: 14 Years**

[21] **Appl. No.: 65,427**

[22] **Filed: Jan. 17, 1997**

[51] **LOC (6) Cl. .... 08-07**

[52] **U.S. Cl. .... D8/341**

[58] **Field of Search ..... D8/330-331, 339, D8/341, 343; 292/288, 289, 292, 295; 70/57, 58**

[56] **References Cited**

**U.S. PATENT DOCUMENTS**

4,656,848 4/1987 Rose ..... D8/330 X  
5,060,491 10/1991 Smith ..... D8/331 X

*Primary Examiner*—Brian N. Vinson  
*Attorney, Agent, or Firm*—Oppenheimer Poms Smith

[57] **CLAIM**

The ornamental design for a lockable bar, as shown and described.

**DESCRIPTION**

FIG. 1 is a perspective view of a lockable bar showing my new design, the broken-line disclosure of a portion of a computer housing being for illustrative purposes only and forming no part of the claimed design;

FIG. 2 is a side elevational view of the lockable bar of FIG. 1, the opposite side view being a mirror image thereof;

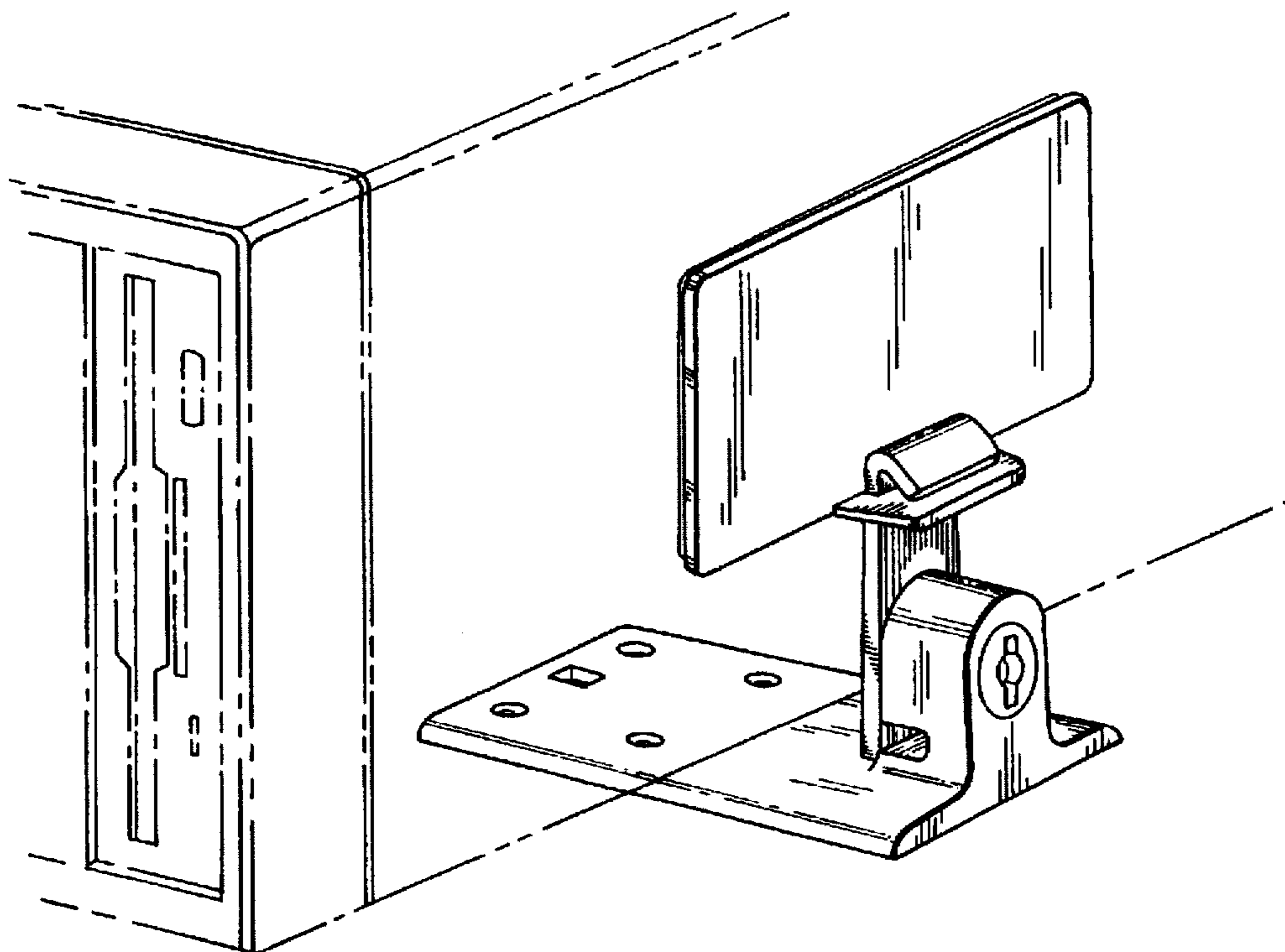
FIG. 3 is a top plan view thereof;

FIG. 4 is an elevational front view thereof;

FIG. 5 is a rear elevational view thereof; and,

FIG. 6 is a bottom plan view thereof.

**1 Claim, 3 Drawing Sheets**



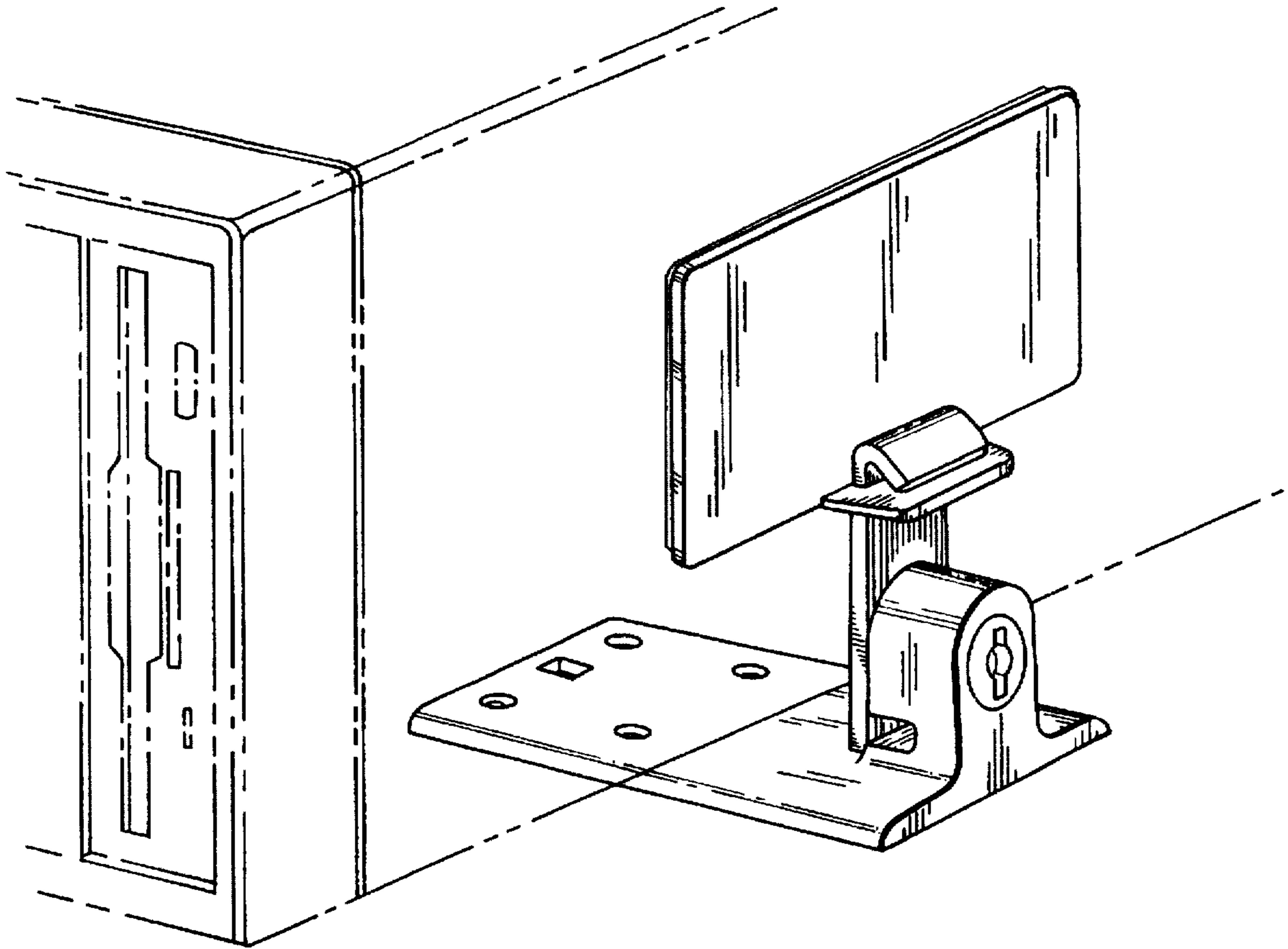


FIG. 1

FIG. 2

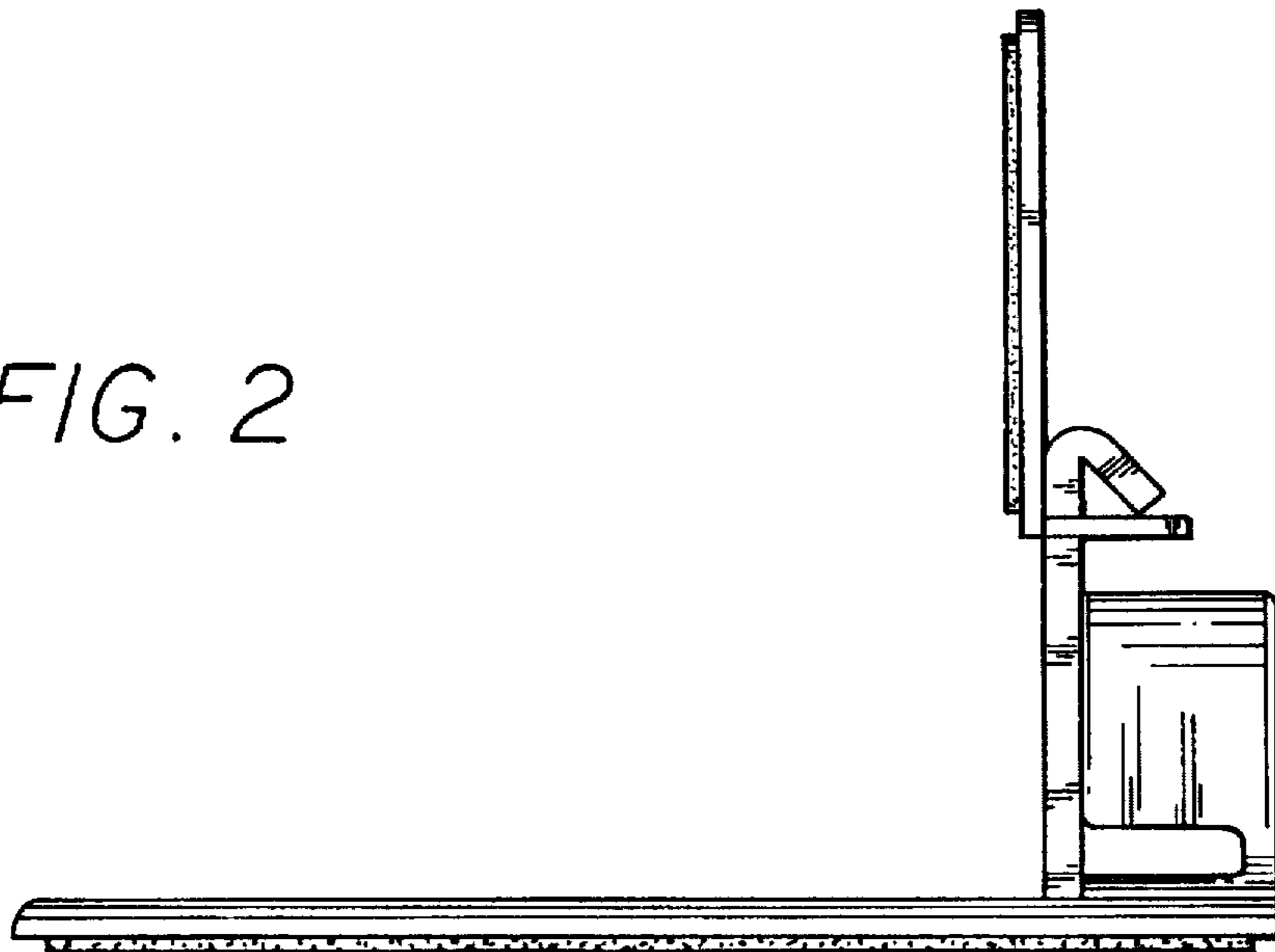


FIG. 3

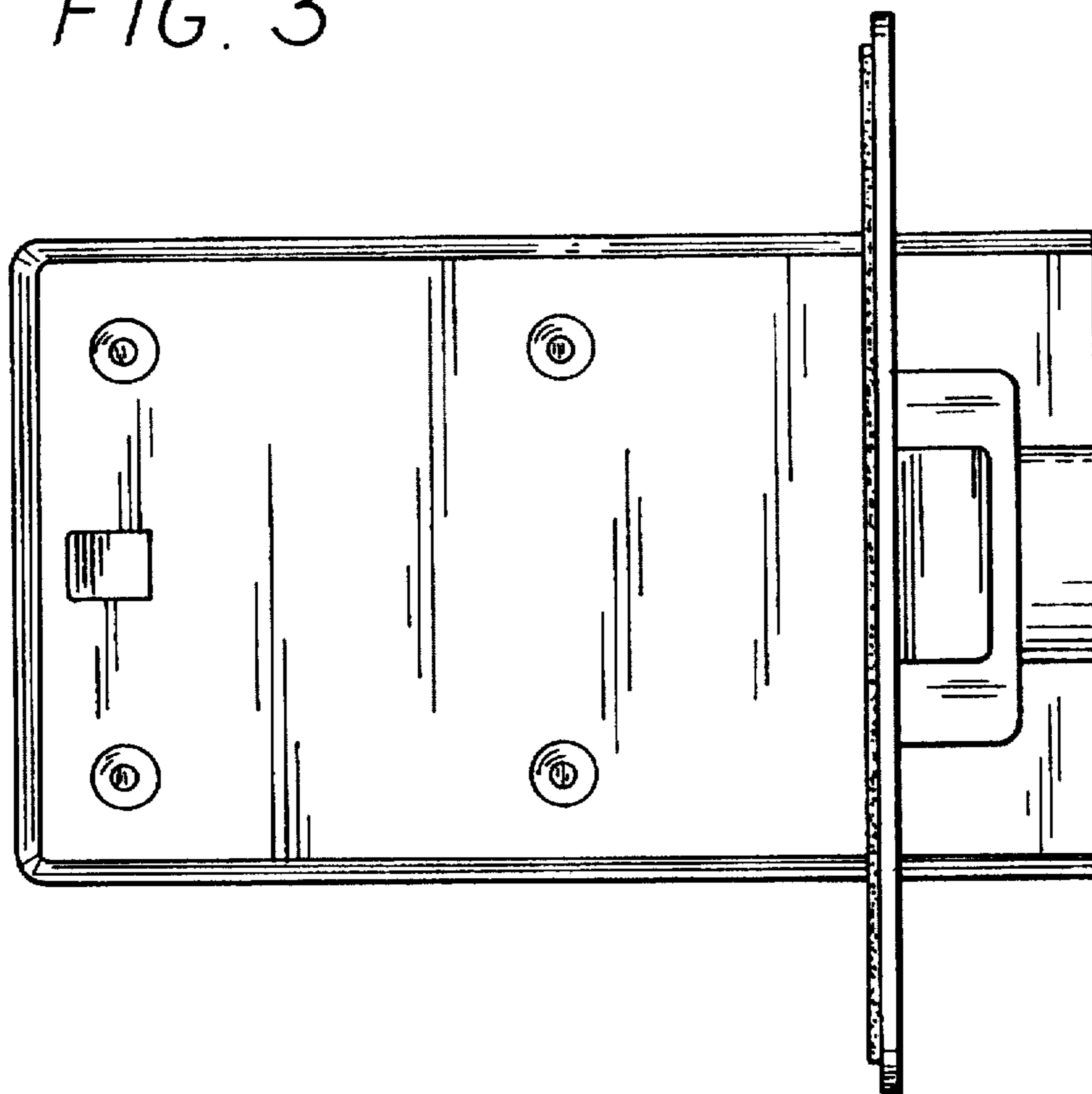
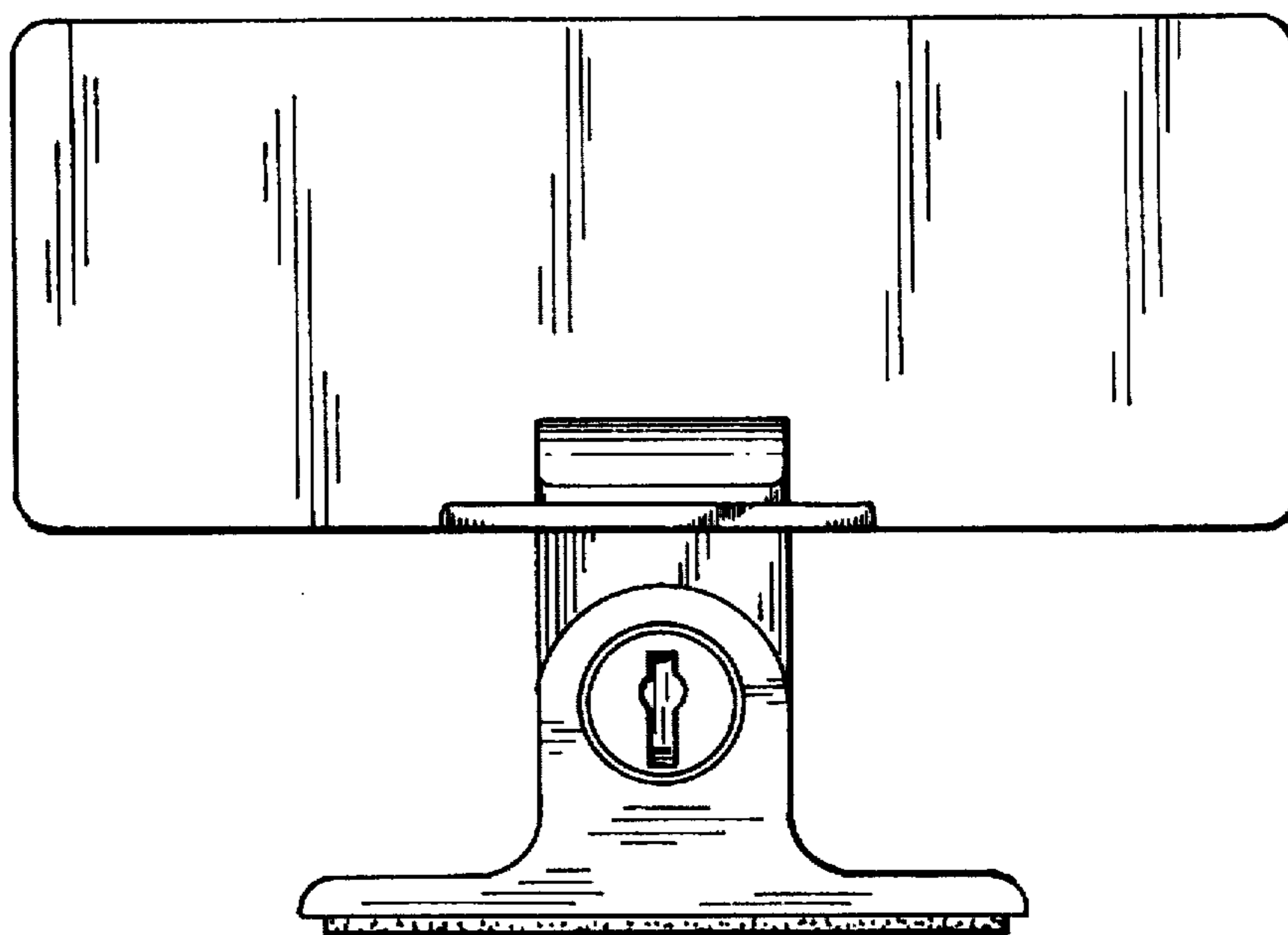


FIG. 4



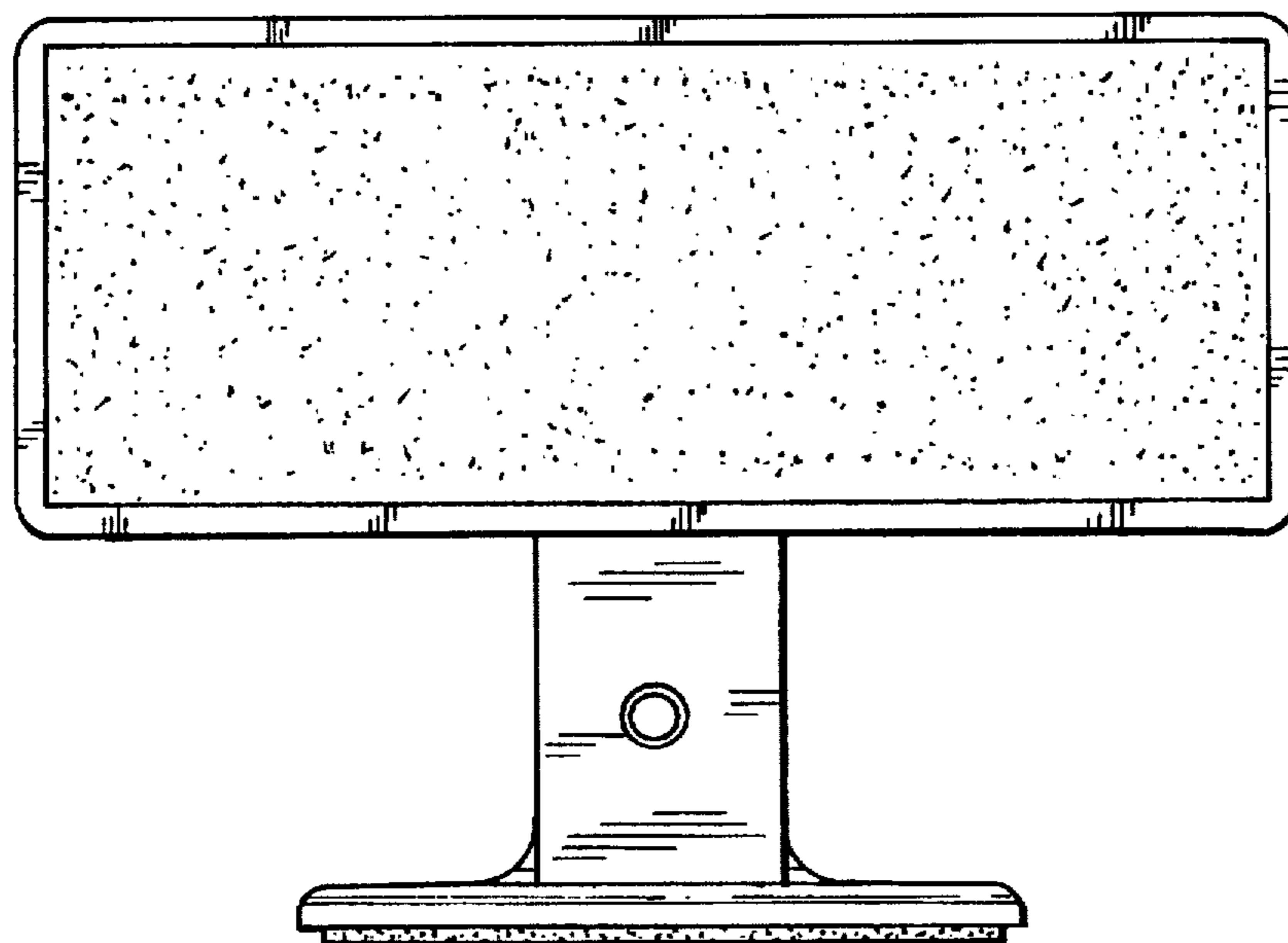


FIG. 5

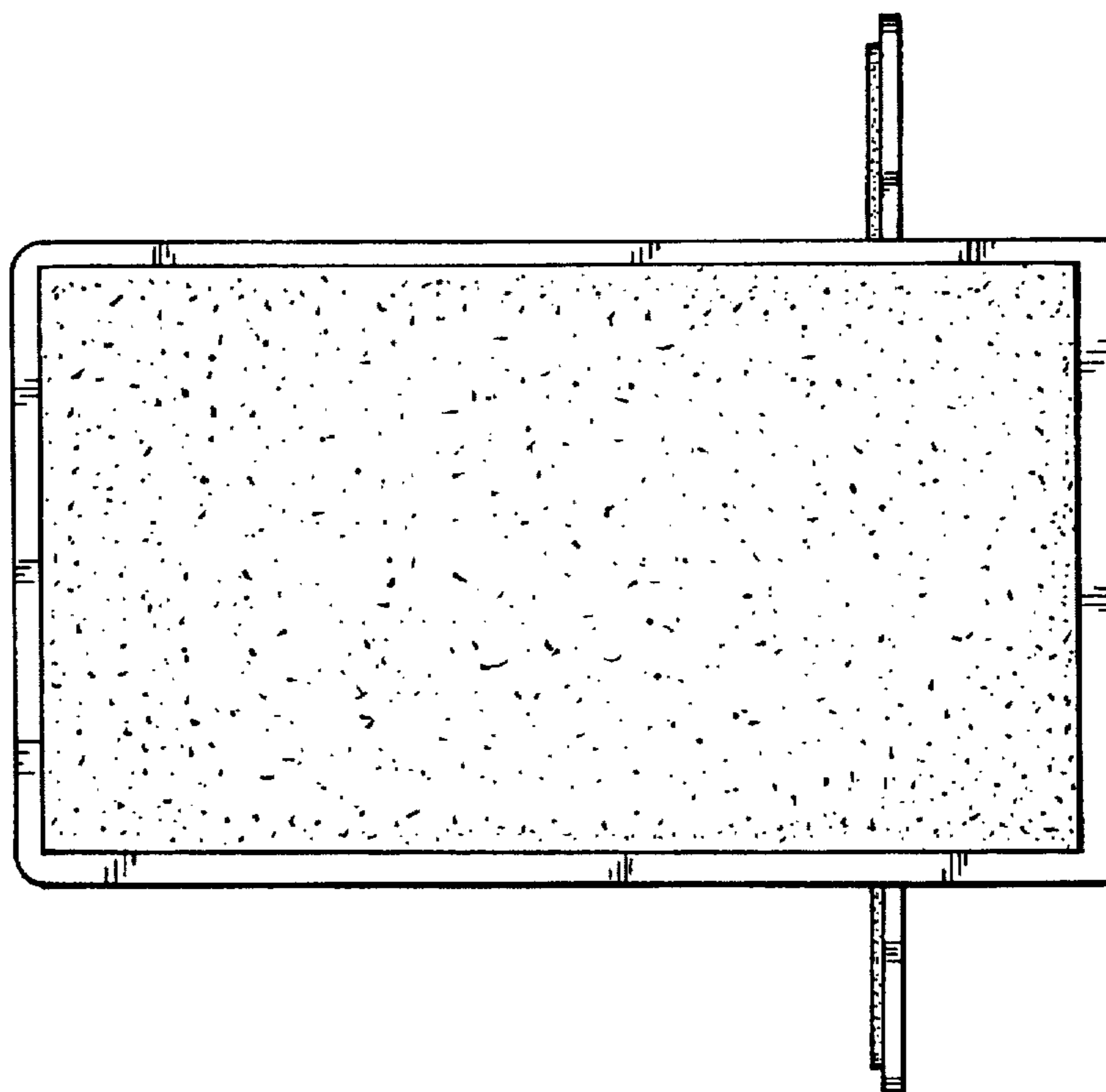


FIG. 6