

US00D392532S

United States Patent [19]
Shiao

[11] **Patent Number: Des. 392,532**
[45] **Date of Patent: **Mar. 24, 1998**

[54] **DRIVING ASSEMBLY OF A SCREWDRIVER**

[76] **Inventor: Hsuan-Sen Shiao**, No. 15-1, Lane 369,
Min-Chuan Rd., Taichung City, Taiwan

[**] **Term: 14 Years**

[21] **Appl. No.: 62,832**

[22] **Filed: Nov. 27, 1996**

[51] **LOC (6) Cl. 08-03**

[52] **U.S. Cl. D8/70**

[58] **Field of Search D8/70; 81/63.1;
74/575; 192/43, 43.2**

[56] **References Cited**

U.S. PATENT DOCUMENTS

4,657,125 4/1987 Heesch 192/43
5,642,794 7/1997 Chuang et al. 192/43

Primary Examiner—Antoine Duval Davis
Attorney, Agent, or Firm—Foley & Lardner

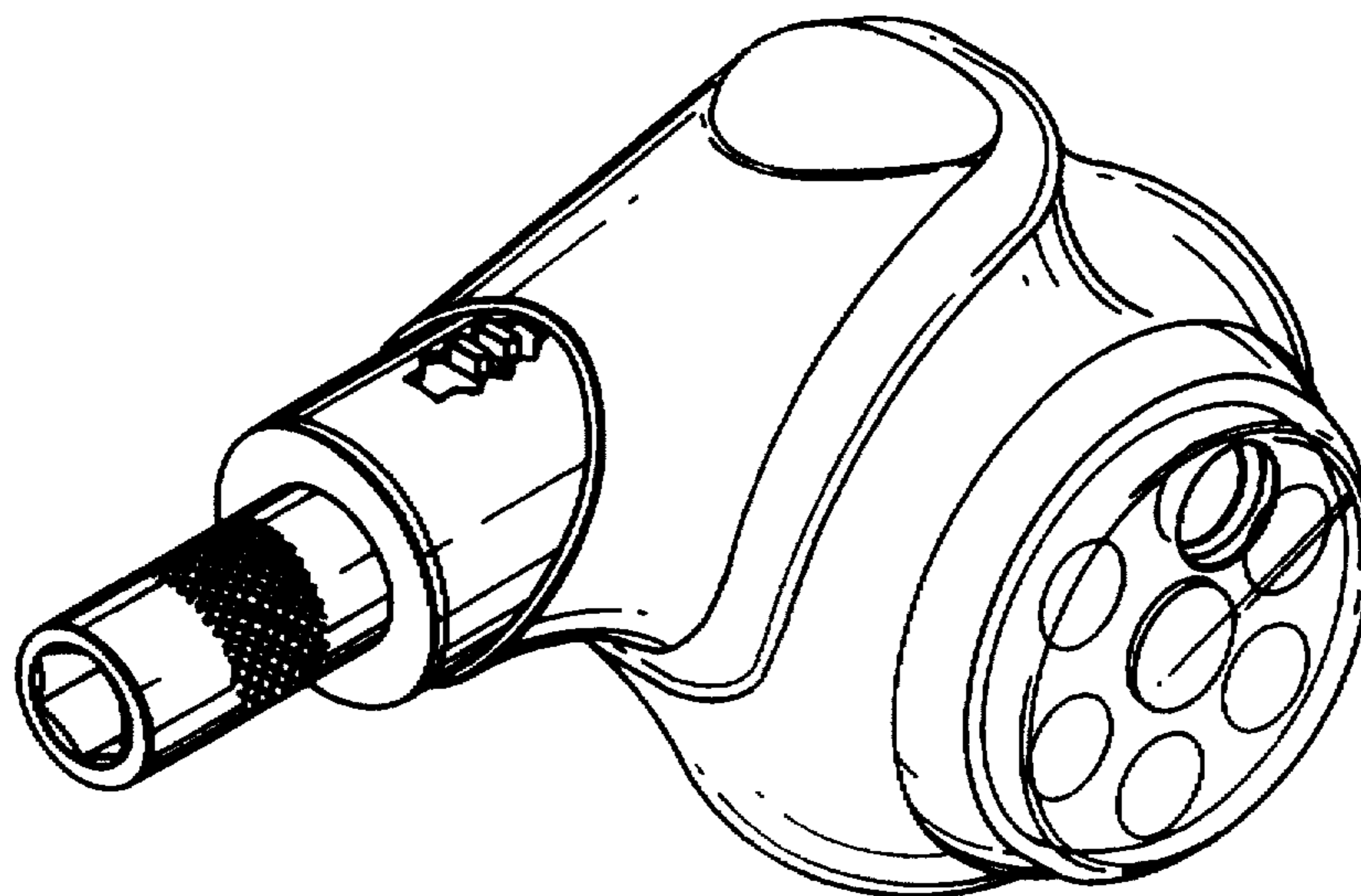
[57] **CLAIM**

The ornamental design for a driving assembly of a screwdriver, as shown and described.

DESCRIPTION

FIG. 1 is a perspective view of a driving assembly of a screwdriver showing my new design;
FIG. 2 is a front elevational view thereof;
FIG. 3 is a rear elevational view thereof;
FIG. 4 is a left side elevational view thereof;
FIG. 5 is a right side elevational view thereof;
FIG. 6 is a top plan view thereof; and,
FIG. 7 is a bottom plan view thereof.

1 Claim, 3 Drawing Sheets



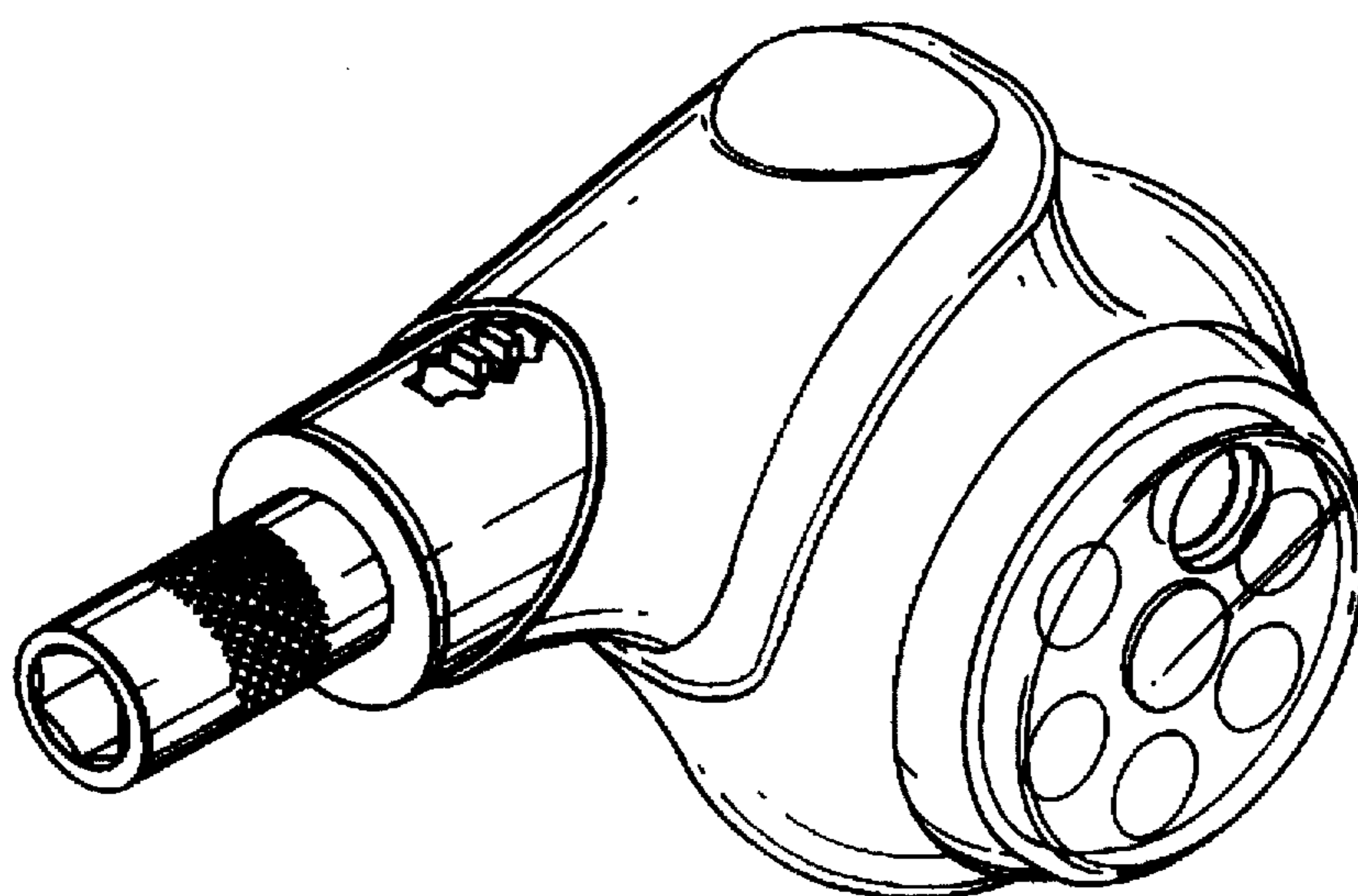


FIG. 1

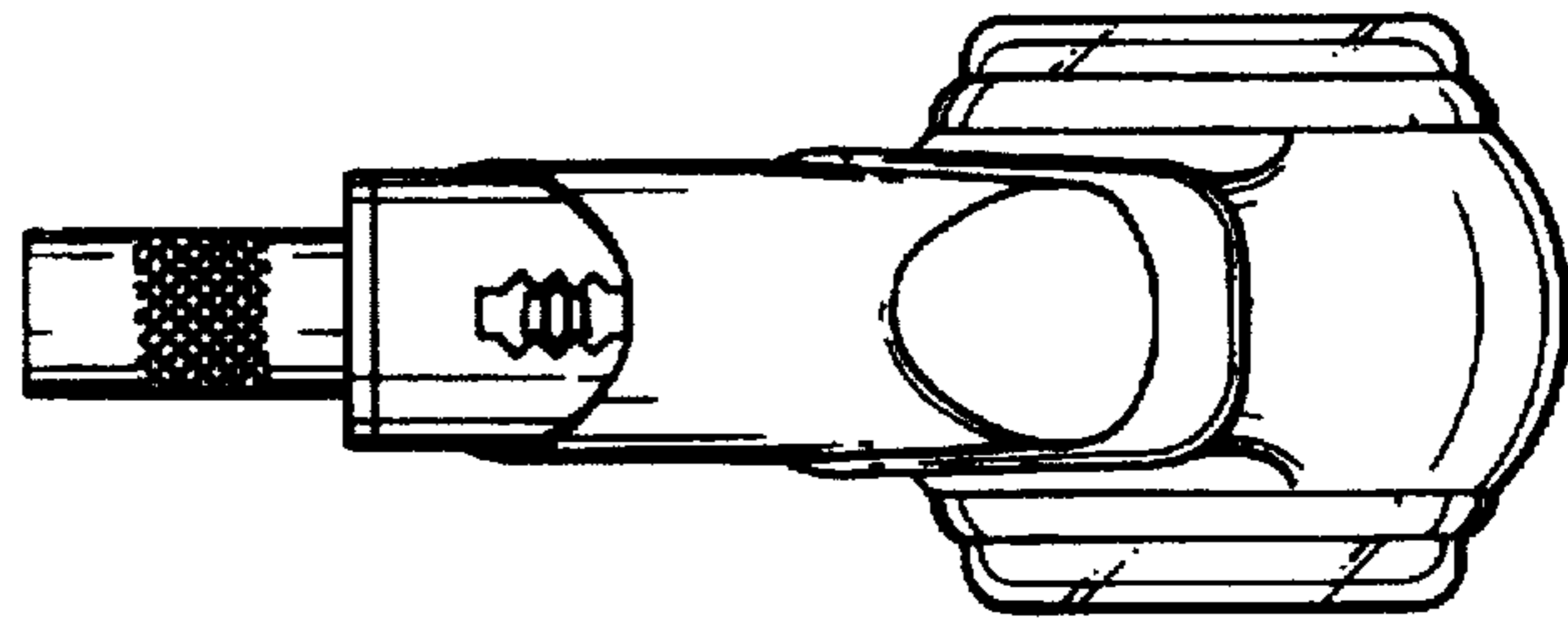


FIG. 6

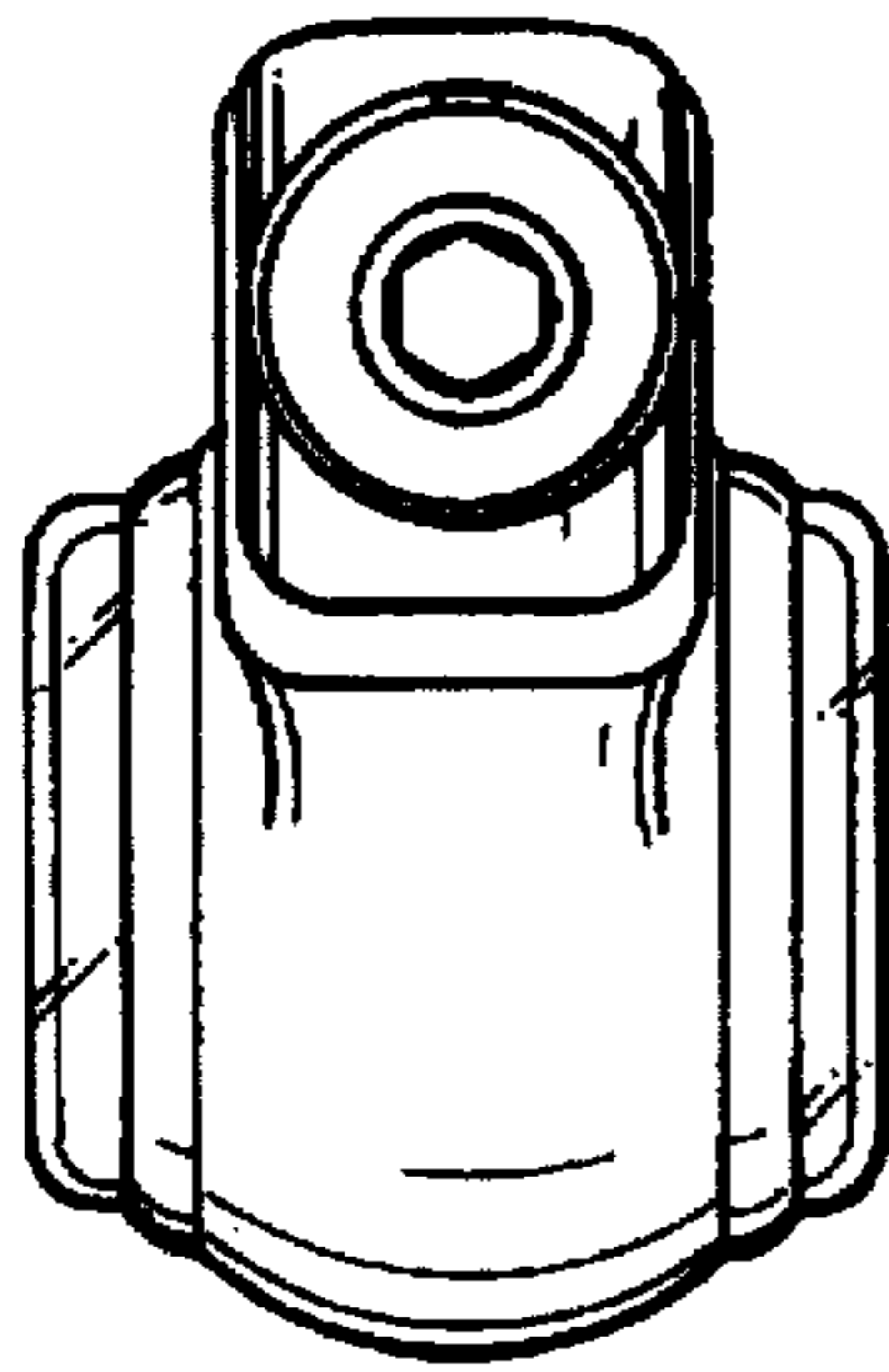


FIG. 4

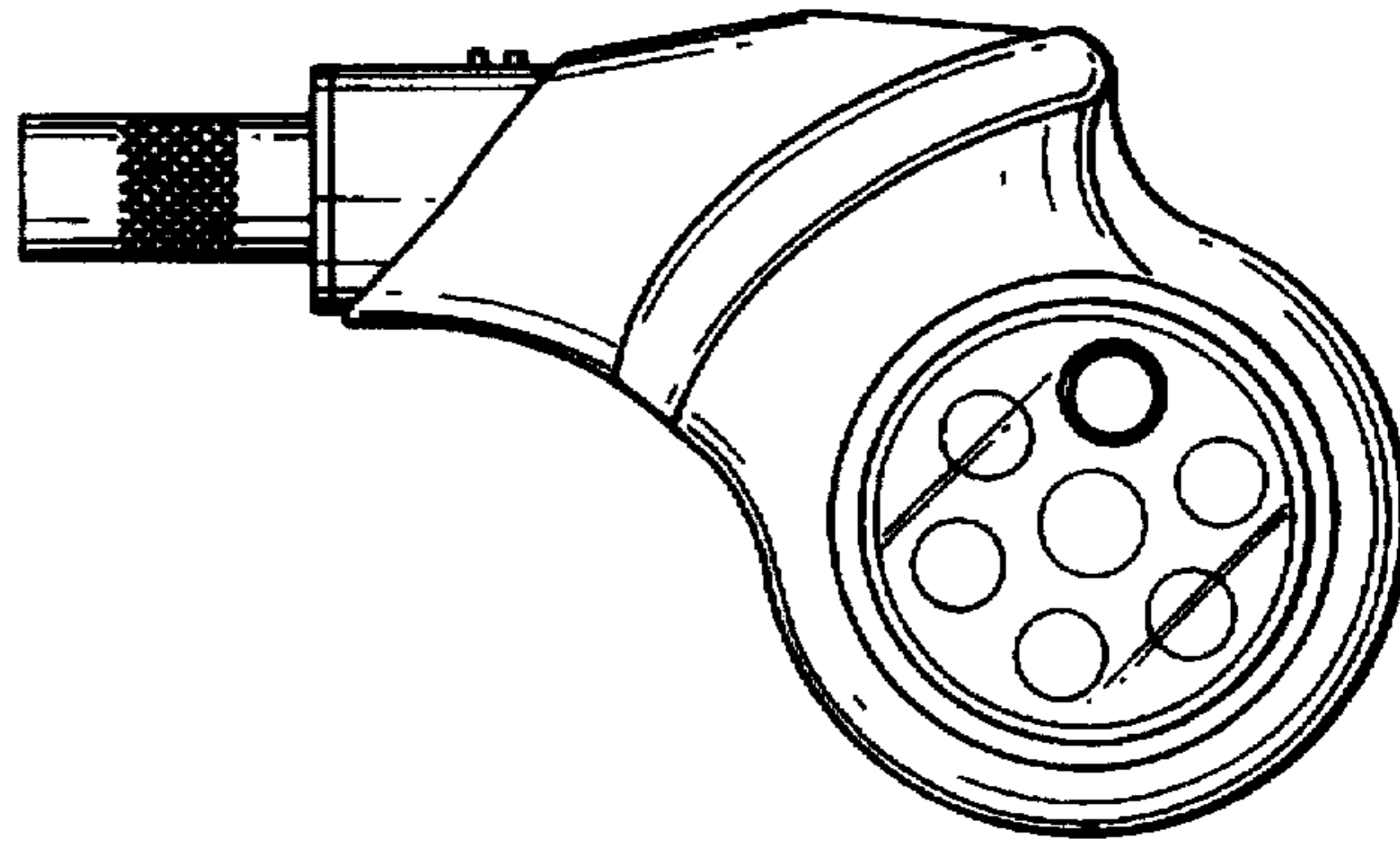


FIG. 2

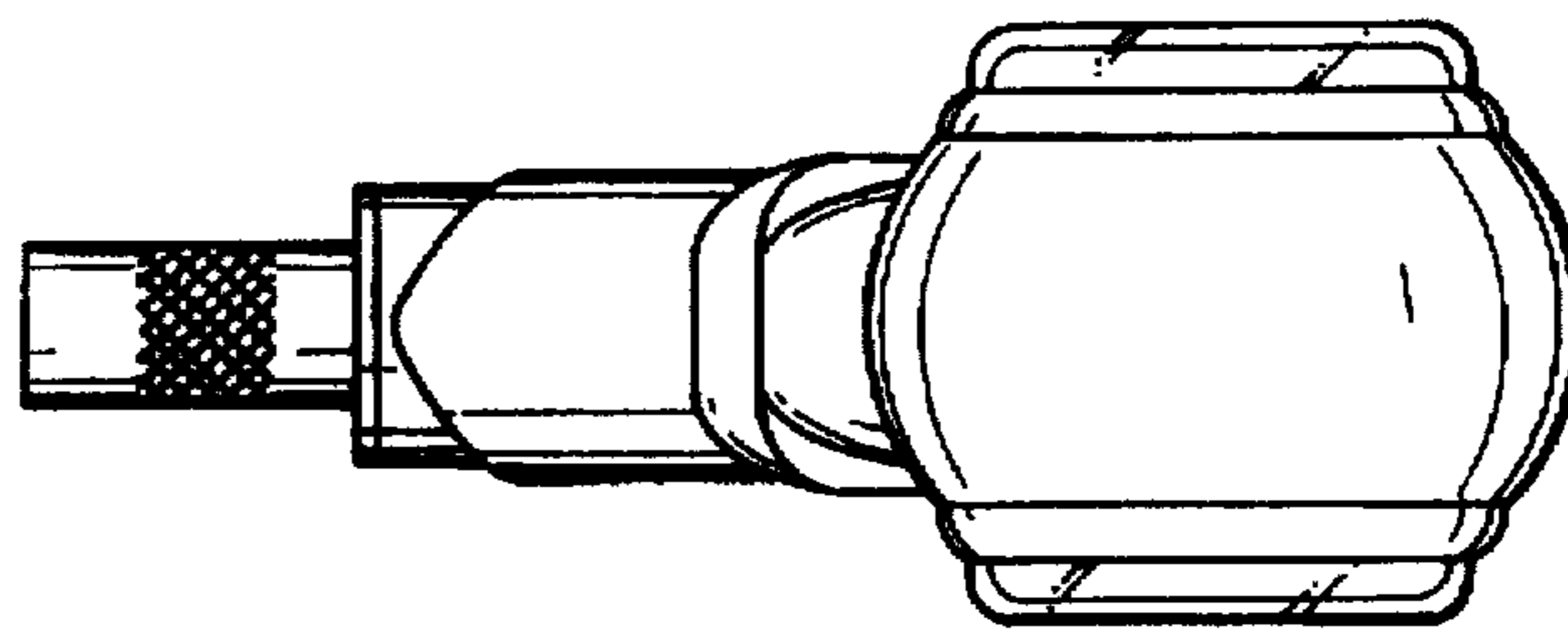


FIG. 7

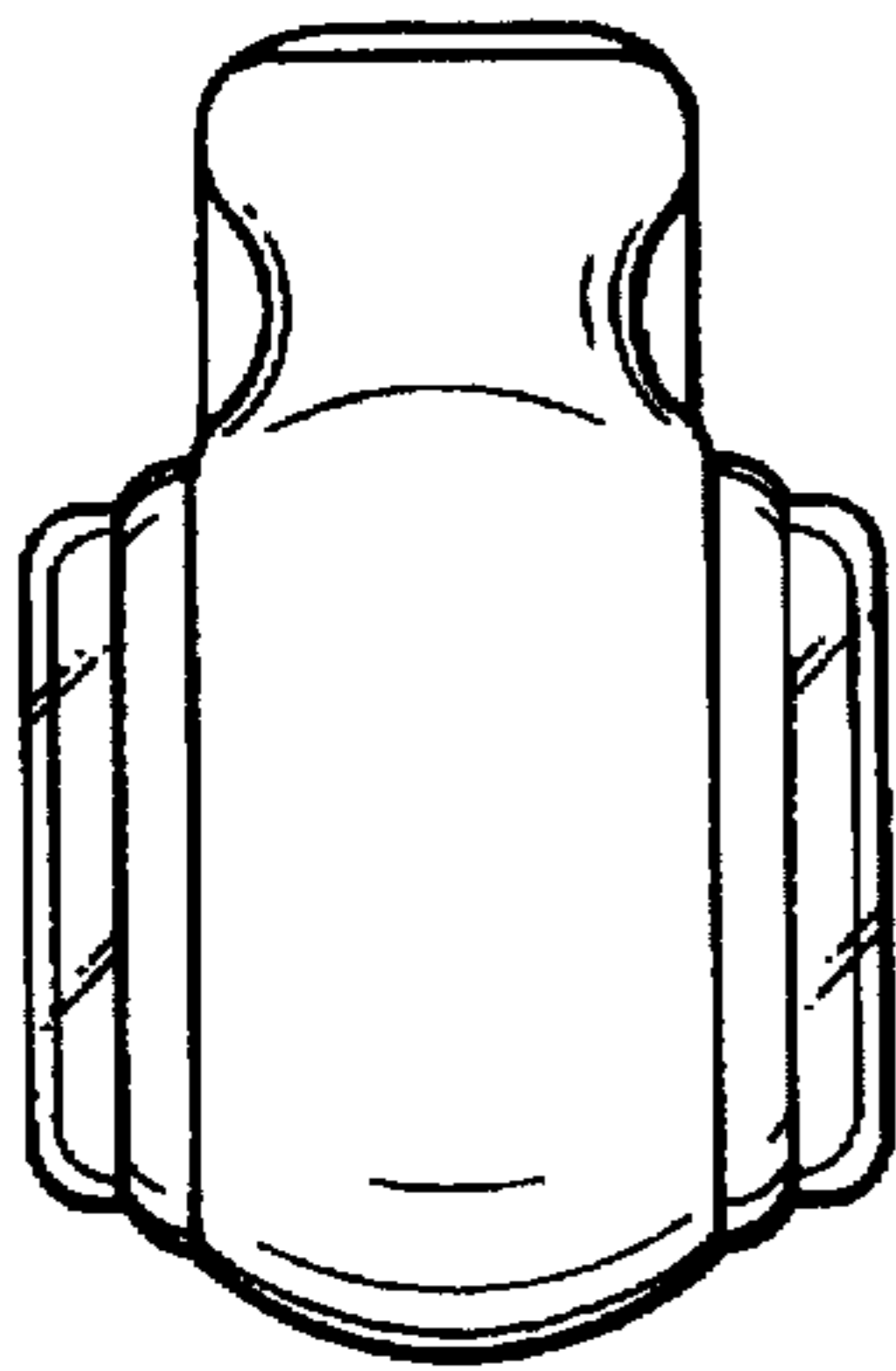


FIG. 5

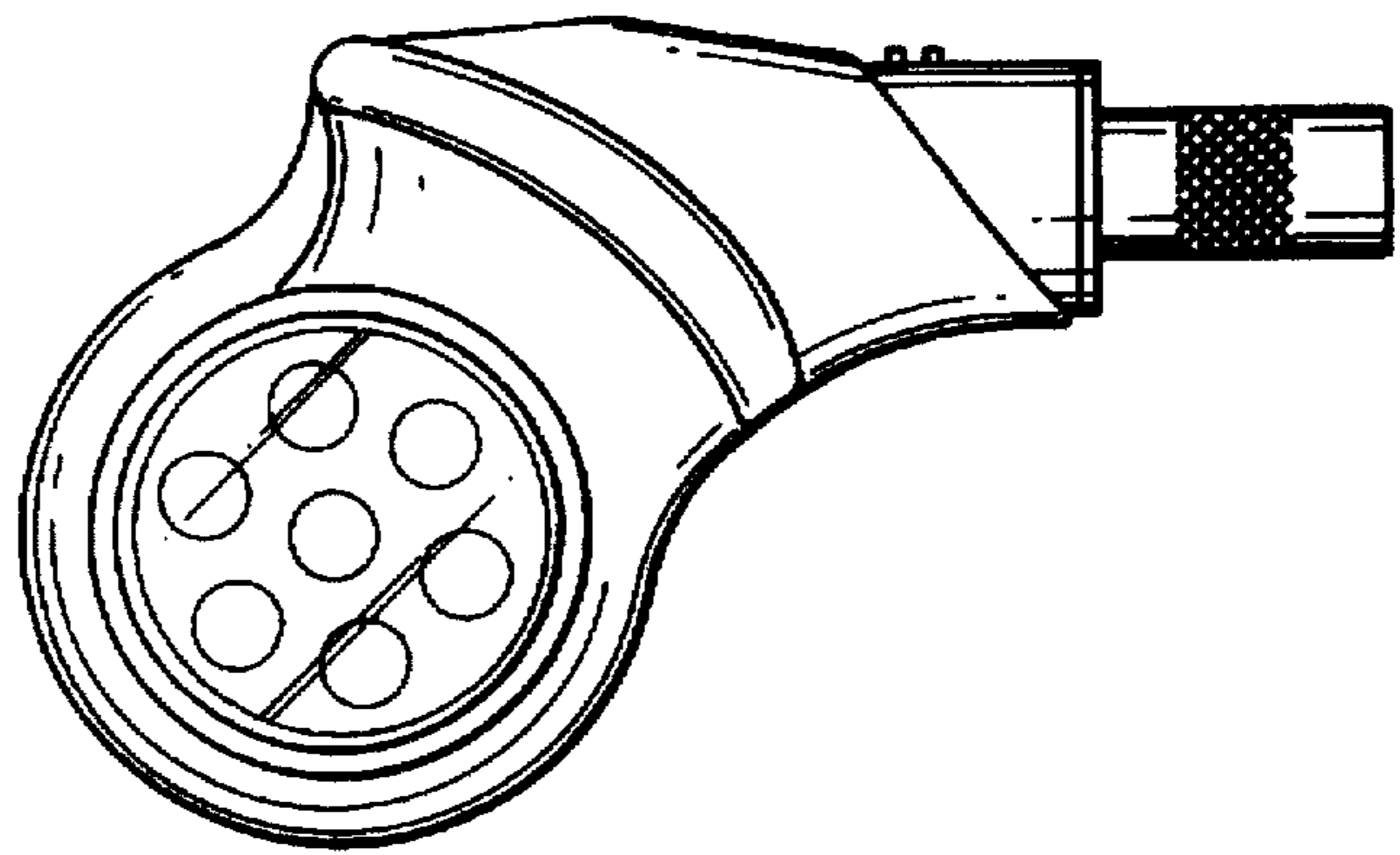


FIG. 3