



US00D392530S

# United States Patent [19] Lui

[11] Patent Number: **Des. 392,530**  
[45] Date of Patent: **\*\*Mar. 24, 1998**

[54] **ELECTRIC DRILL**

D. 377,893 2/1997 Lui ..... D8/68  
D. 382,457 8/1997 Ghode et al. .... D8/68

[75] Inventor: **Tat Nin Lui, Hong Kong, Hong Kong**

[73] Assignee: **Choon Nang Electrical Appliance Mfty. Ltd., Hong Kong, Hong Kong**

[\*\*] Term: **14 Years**

*Primary Examiner*—Antoine Duval Davis  
*Attorney, Agent, or Firm*—Gunn, Lee & Miller, P.C.

[21] Appl. No.: **68,745**

[22] Filed: **Mar. 31, 1997**

### [57] CLAIM

The ornamental design for an electric drill, as shown and described.

### [30] Foreign Application Priority Data

Dec. 12, 1996 [GB] United Kingdom ..... 2061722

[51] LOC (6) Cl. .... **08-03**

[52] U.S. Cl. .... **D8/68**

[58] Field of Search ..... D8/61, 68, 69;  
74/371; 81/57.11, 57.13, 57.14, 57.43, 177.6,  
436, 438; 178/178, 217

### DESCRIPTION

FIG. 1 is a front end, top and left side perspective view of an electric drill showing my new design;

FIG. 2 is a front end elevational view thereof;

FIG. 3 is a rear end elevational view thereof;

FIG. 4 is a right side elevational view thereof;

FIG. 5 is a left side elevational view thereof;

FIG. 6 is a top plan view thereof; and,

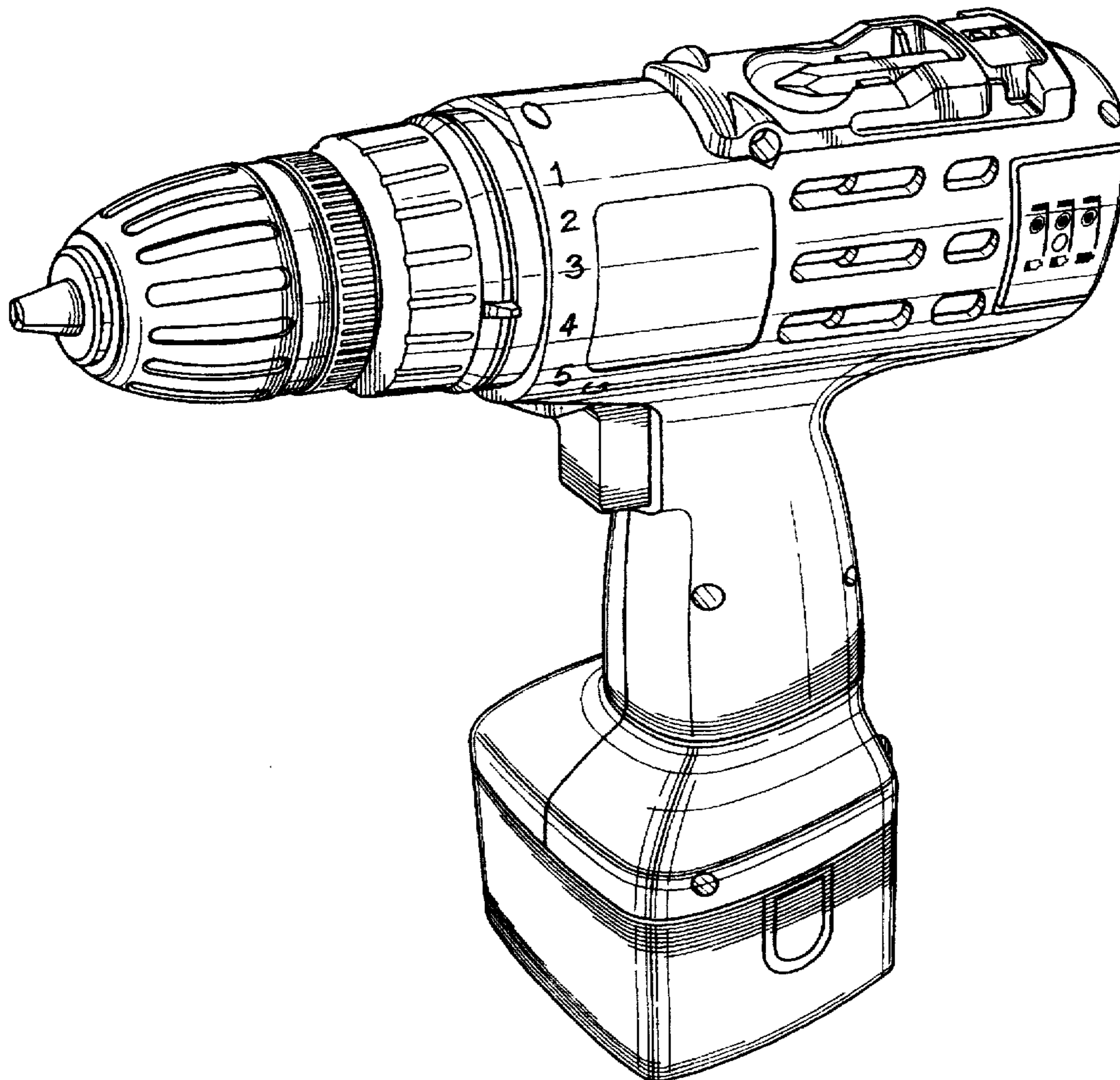
FIG. 7 is a bottom plan view thereof.

### [56] References Cited

#### U.S. PATENT DOCUMENTS

D. 360,814 8/1995 Kimata ..... D8/68

**1 Claim, 5 Drawing Sheets**



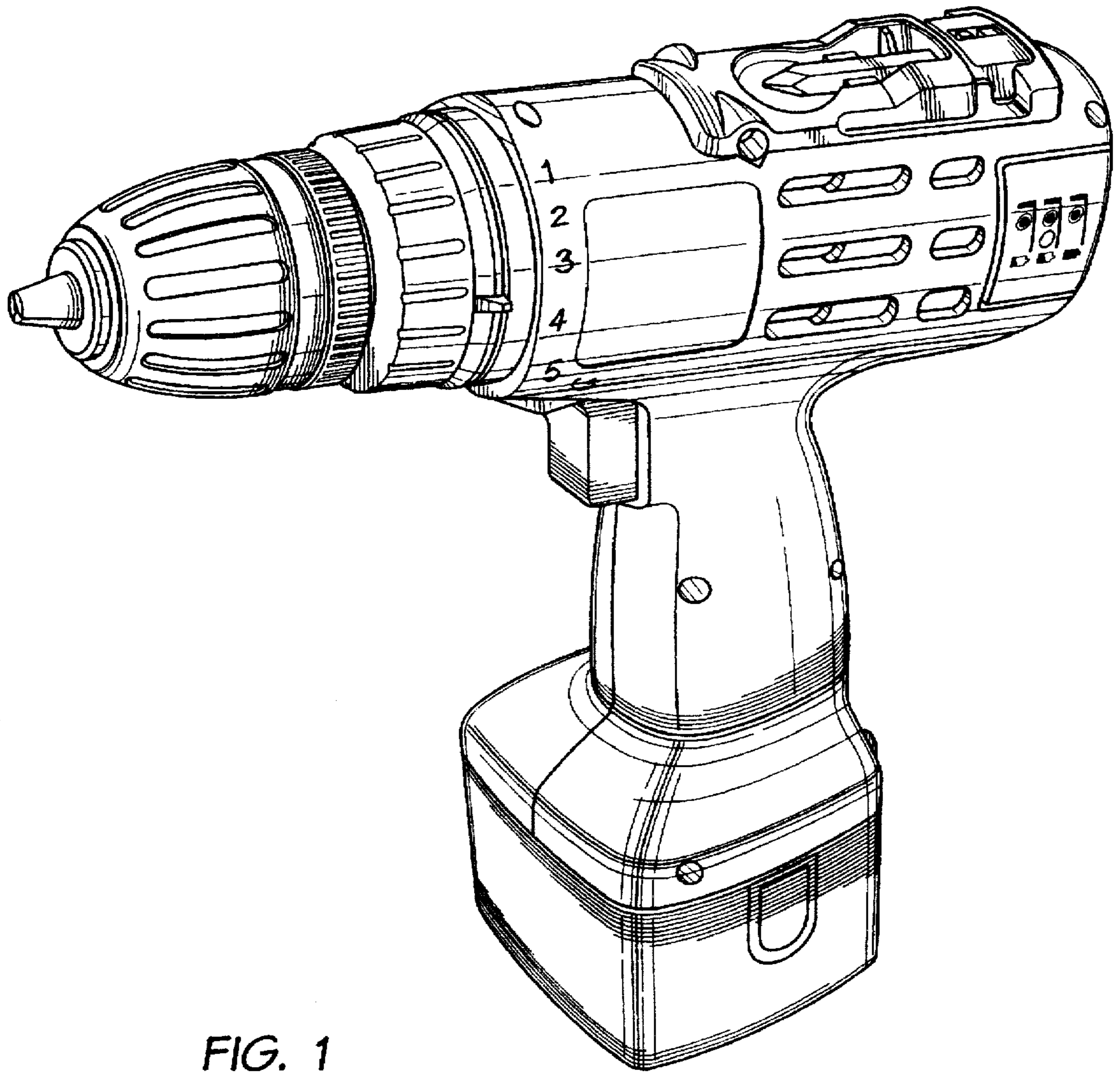


FIG. 1

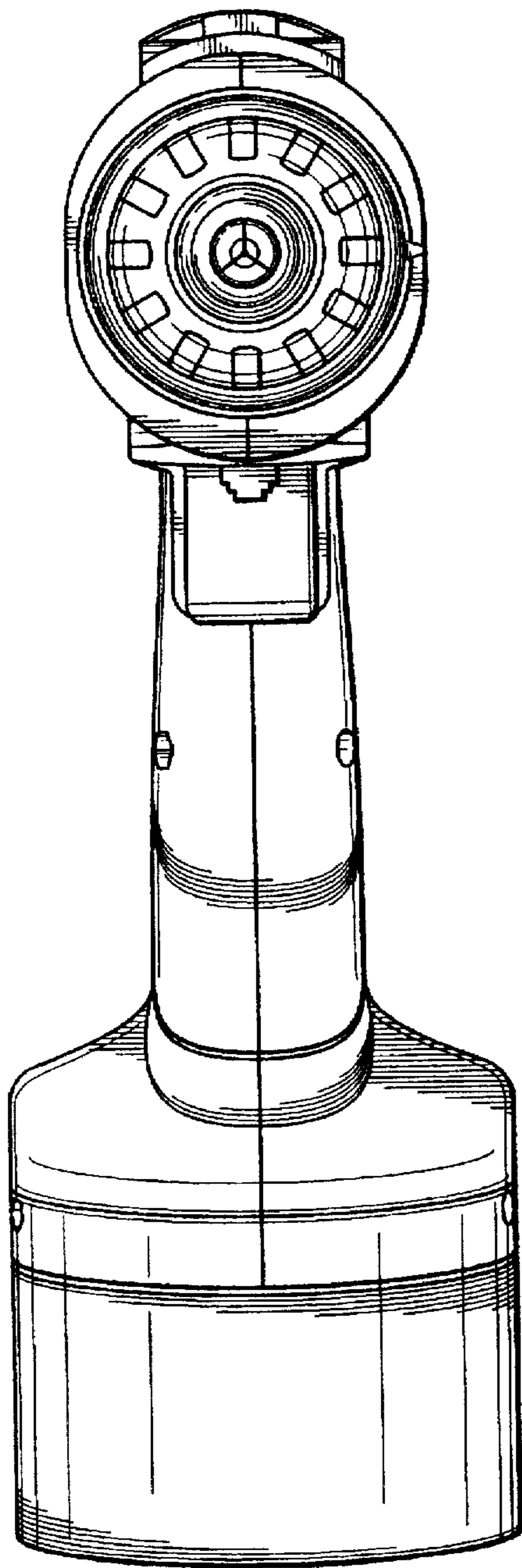


FIG. 2

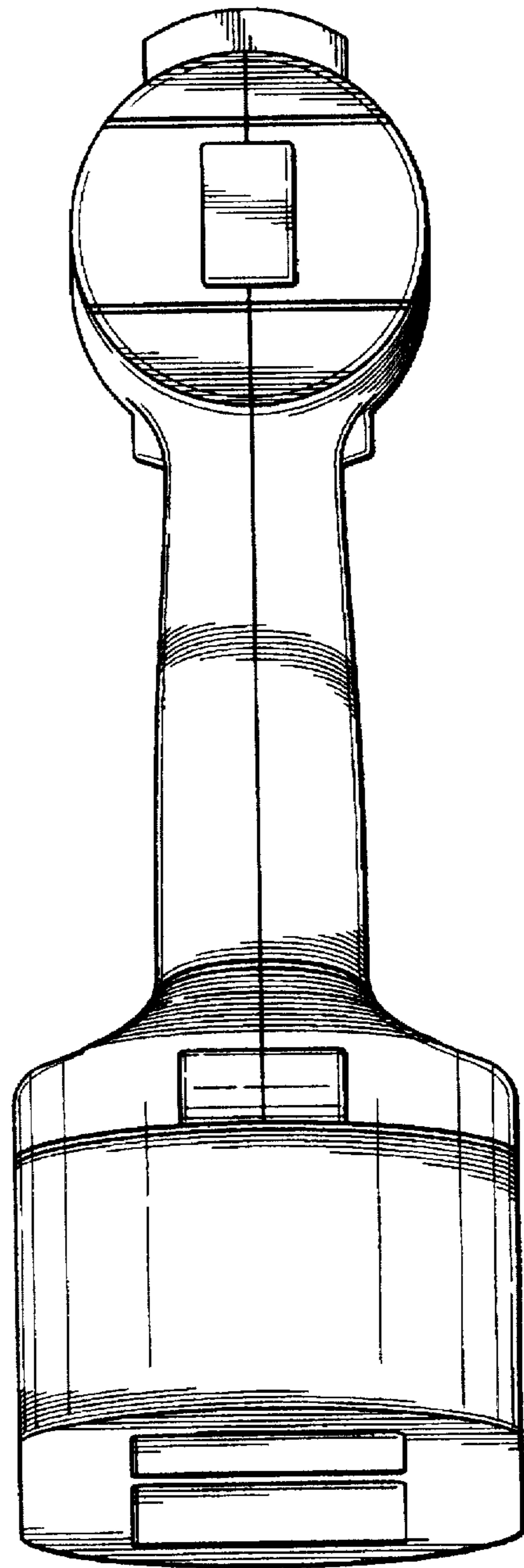


FIG. 3



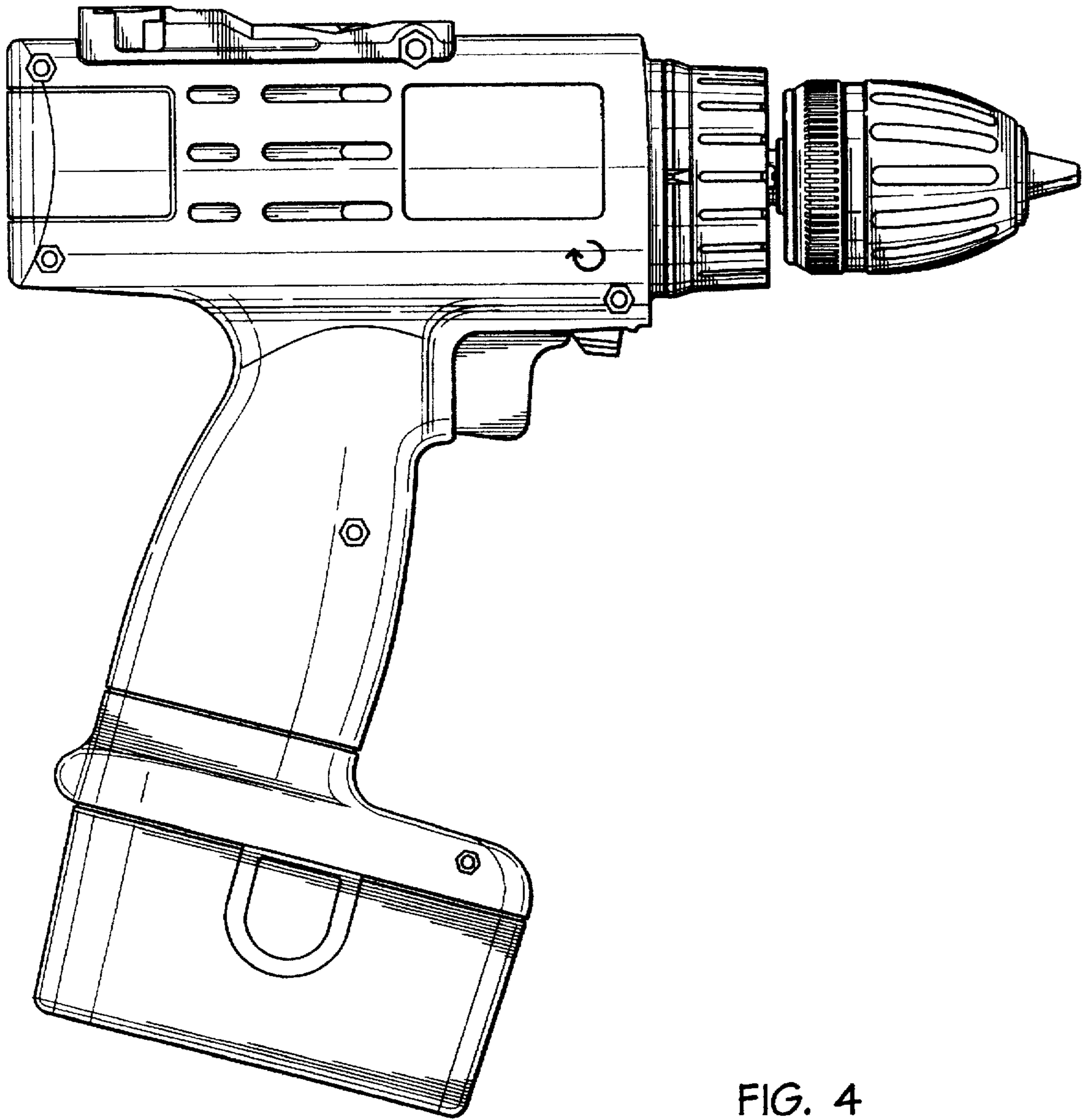


FIG. 4

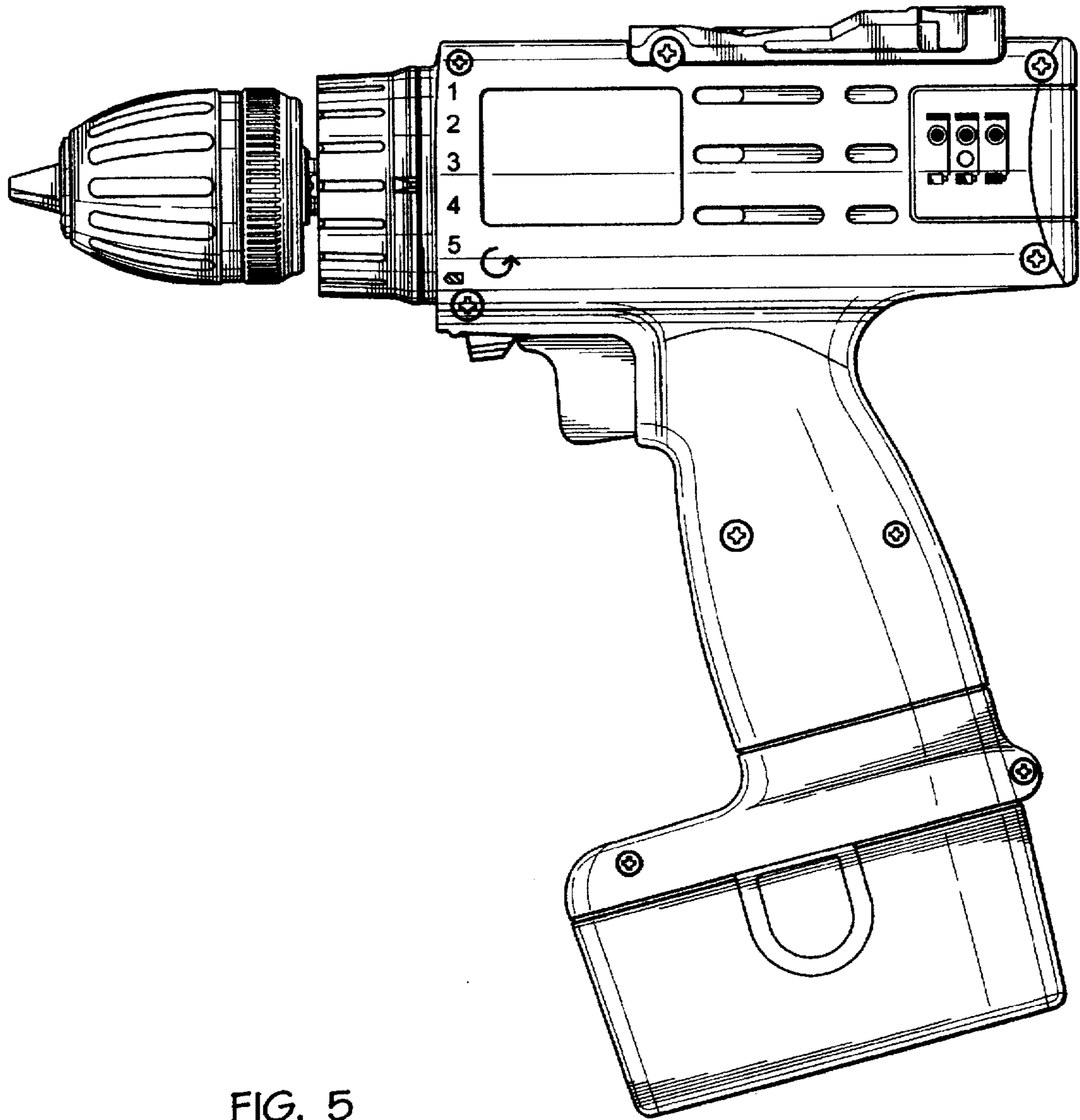


FIG. 5

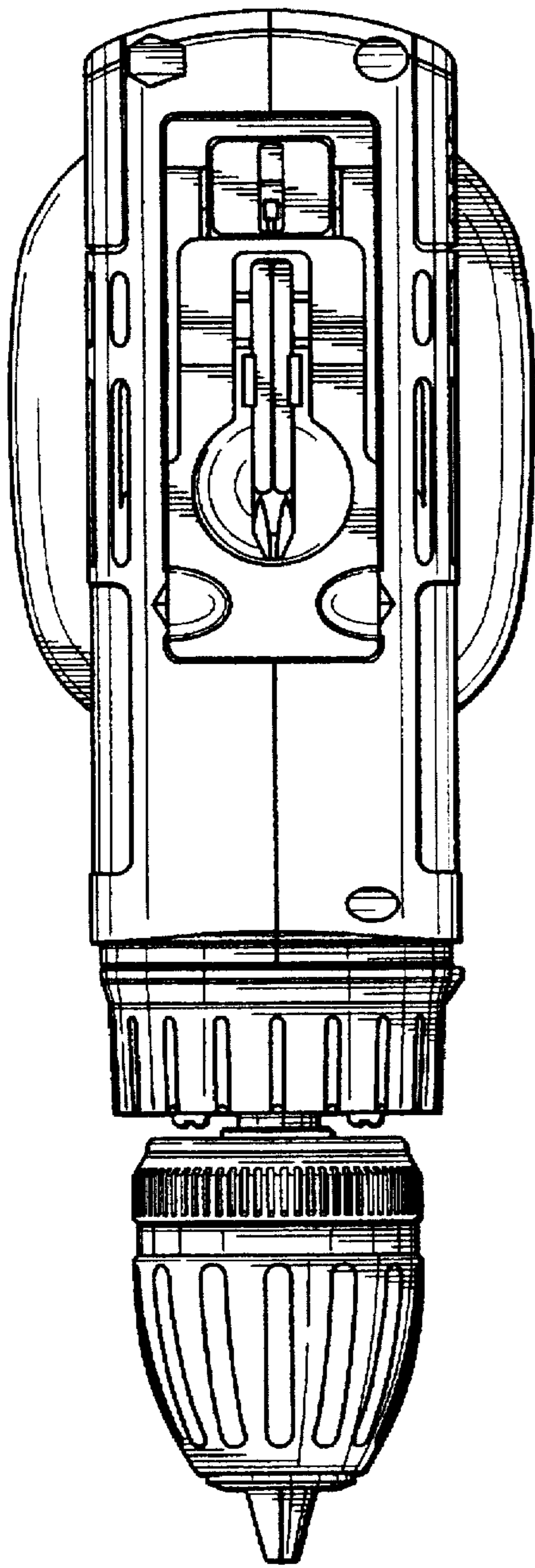


FIG. 6

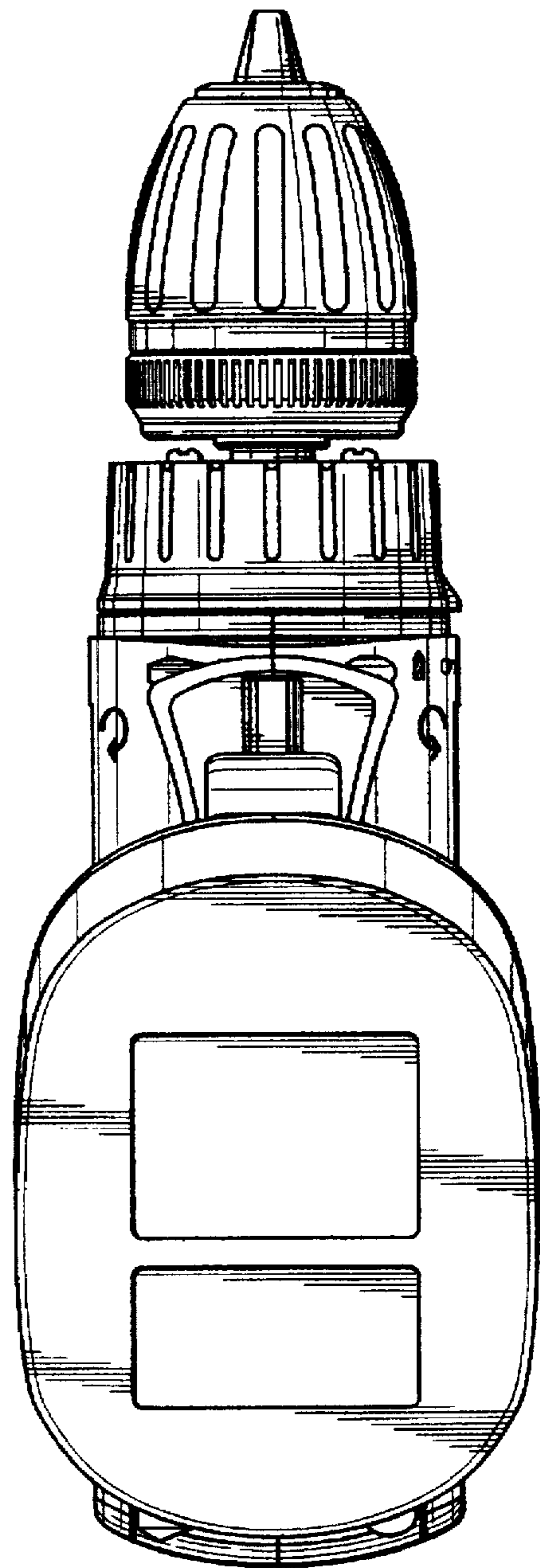


FIG. 7