



US00D392529S

United States Patent [19]
Goto

[11] **Patent Number: Des. 392,529**
[45] **Date of Patent: ***Mar. 24, 1998**

[54] **PORTABLE AIR GRINDER**

[76] **Inventor: Tadao Goto, c/o Goto Electric Co., Ltd., 5340, Oaza-Inabe, Ina-shi, Nagano-ken, Japan**

[*] **Notice: The portion of the term of this patent subsequent to Nov. 4, 2011, has been disclaimed.**

[**] **Term: 14 Years**

[21] **Appl. No.: 51,097**

[22] **Filed: Mar. 5, 1996**

[30] **Foreign Application Priority Data**

Nov. 8, 1995 [JP] Japan 7-33682

[51] **LOC (6) Cl. 08-01**

[52] **U.S. Cl. D8/62**

[58] **Field of Search D8/62; 15/97.1; 83/666, 698.41; 173/170; 279/904; 403/349; 451/162, 294, 342, 344, 353, 357, 358, 359, 490, 491**

[56] **References Cited**

U.S. PATENT DOCUMENTS

5,407,381 4/1995 Schaefer et al. 451/344 X
5,466,183 11/1995 Kim et al. 431/358 X

Primary Examiner—Antoine Duval Davis
Attorney, Agent, or Firm—Lowe, Price, LeBlanc & Becker

[57] **CLAIM**

The ornamental design for a portable air grinder, as shown and described.

DESCRIPTION

FIG. 1 is a front view of my portable air grinder;
FIG. 2 is a side view of my portable air grinder;
FIG. 3 is a rear view of my portable air grinder;
FIG. 4 is another side view of my portable air grinder;
FIG. 5 is a top view of my portable air grinder;
FIG. 6 is a bottom view of my portable air grinder; and,
FIG. 7 is a perspective view of my portable air grinder.

1 Claim, 2 Drawing Sheets

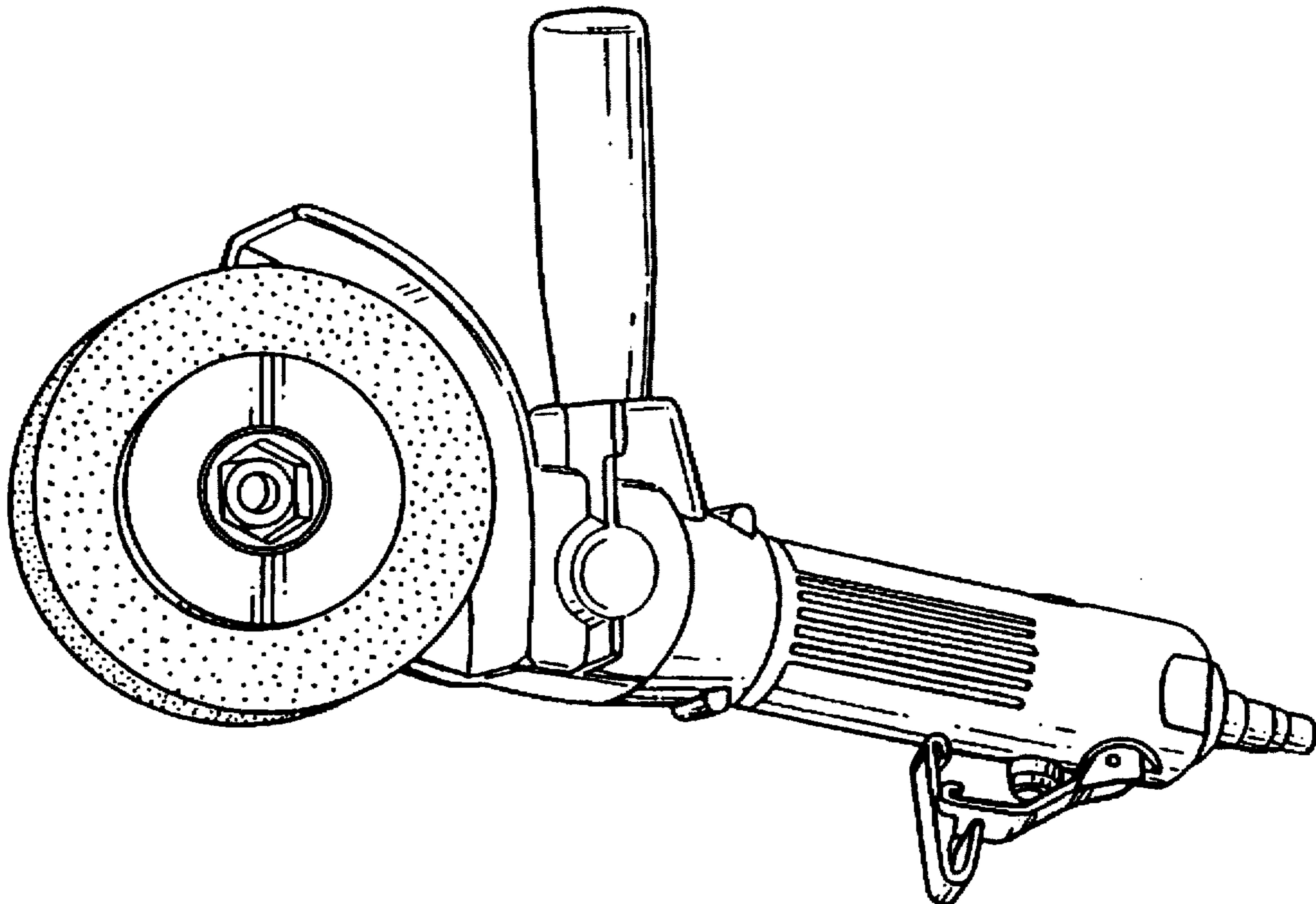


FIG. 1

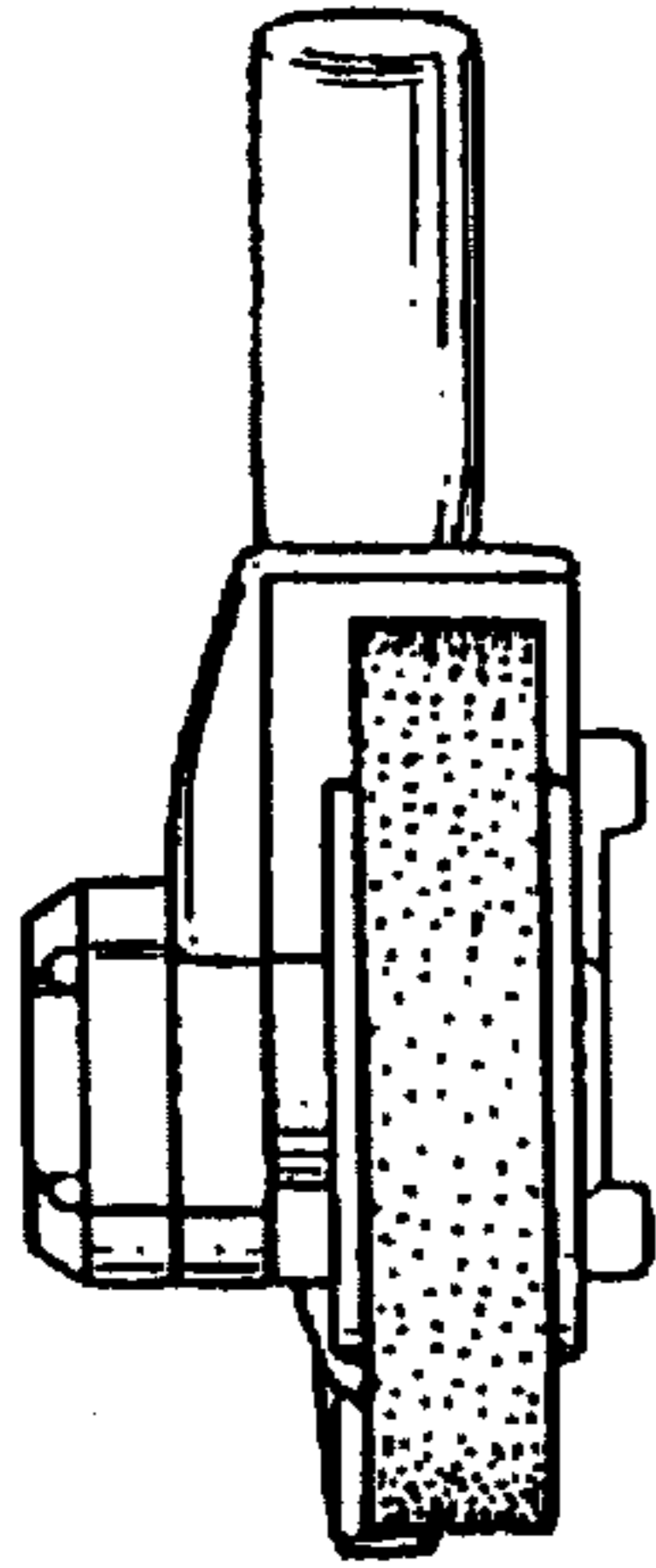


FIG. 2

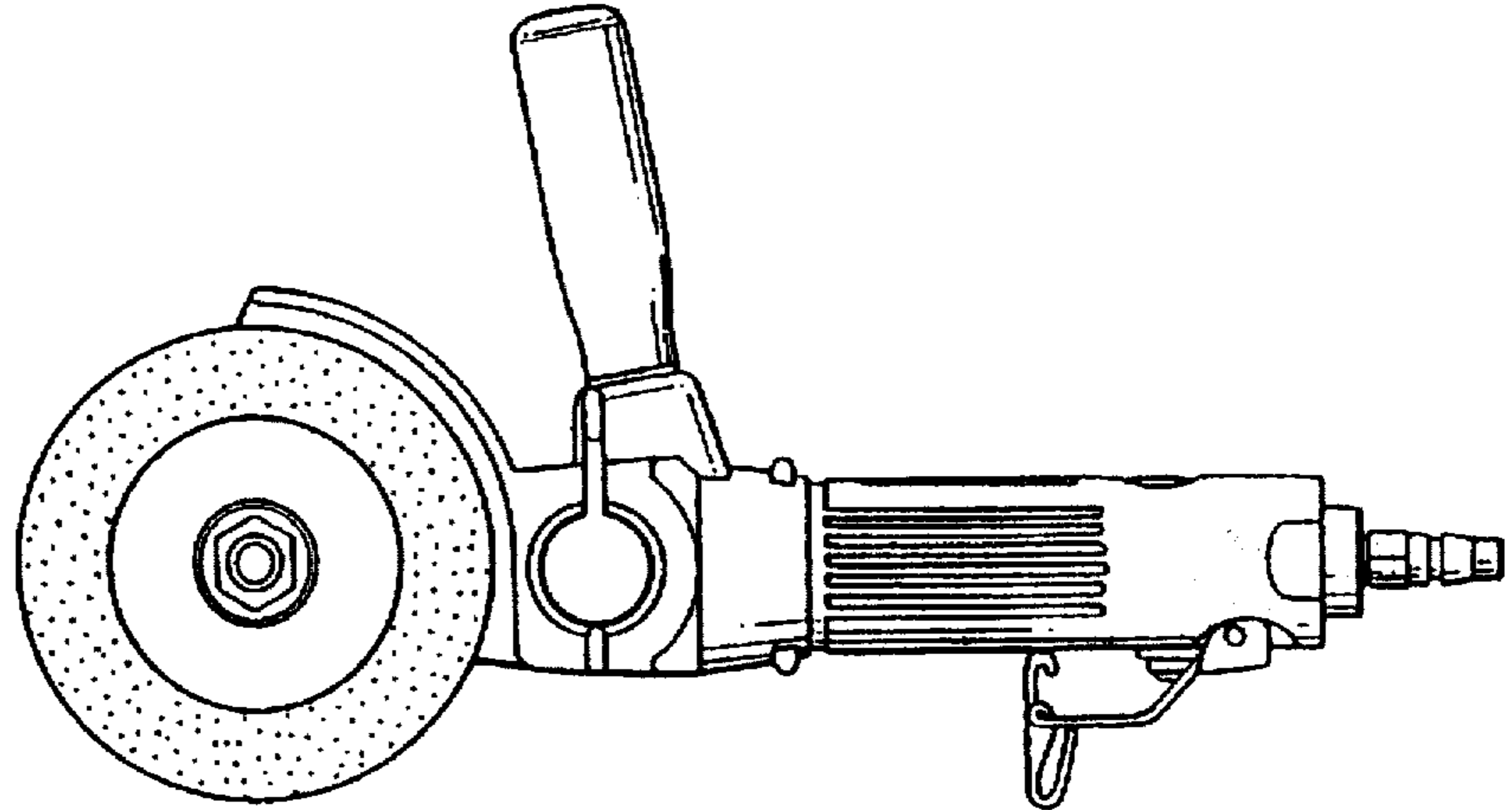


FIG. 3

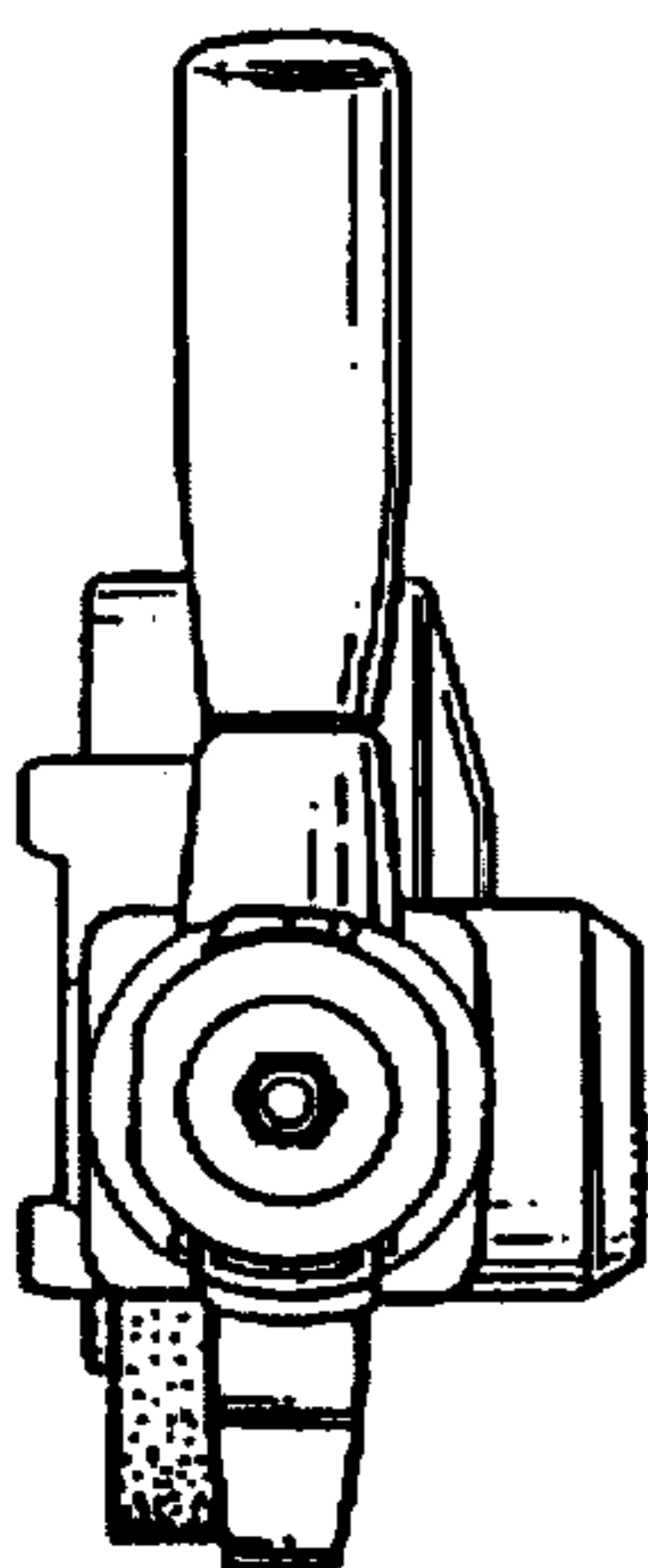


FIG. 4

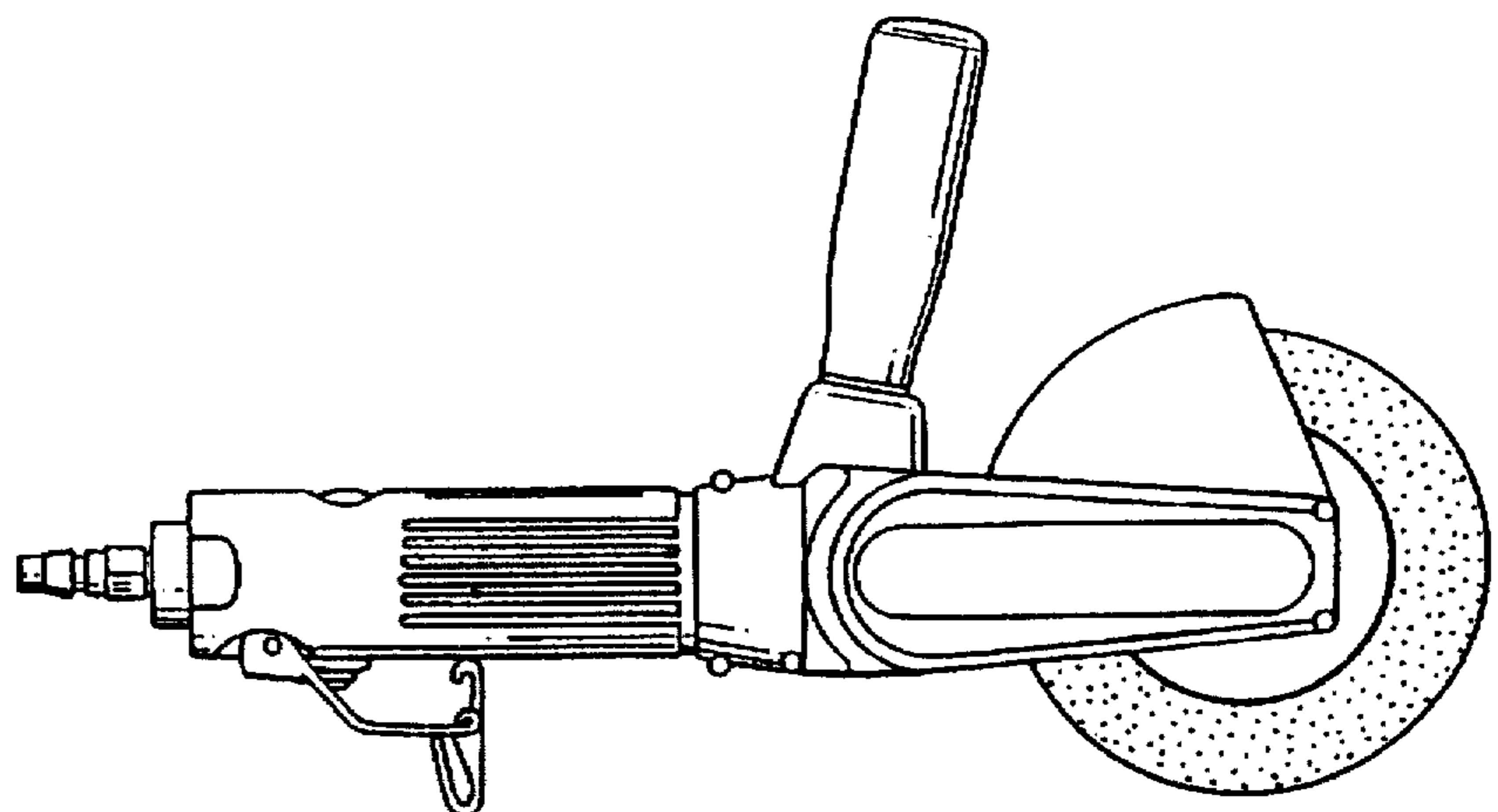


FIG. 5

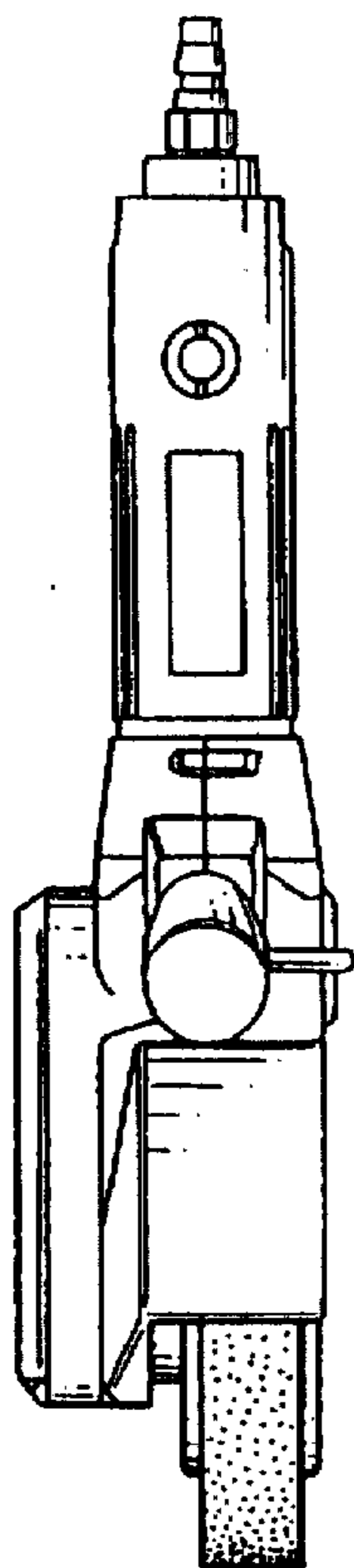


FIG. 6

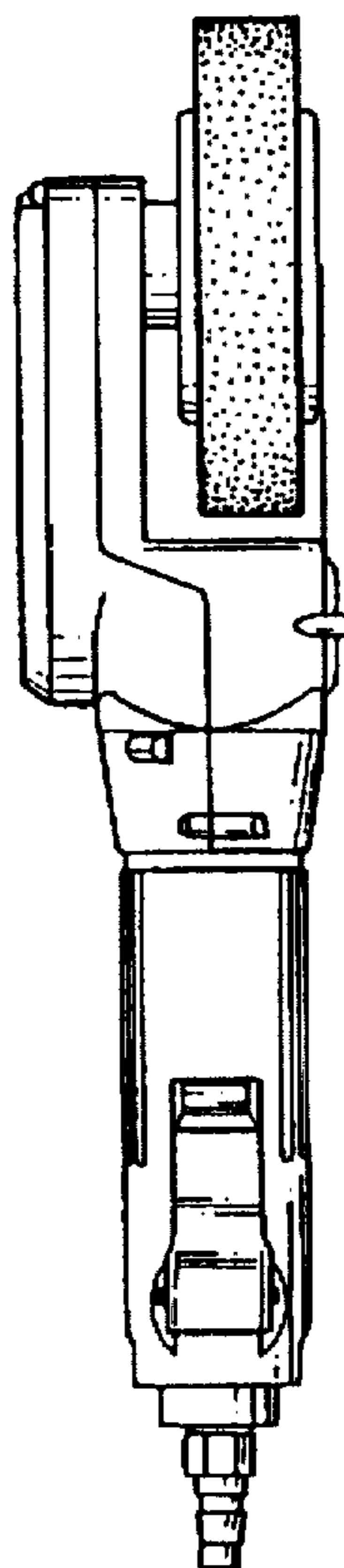


FIG. 7

