

US00D392525S

United States Patent [19]
Sorge, Jr.

[11] **Patent Number: Des. 392,525**
[45] **Date of Patent: **Mar. 24, 1998**

[54] **UNIVERSAL RATCHET HANDLE**
[75] **Inventor: Nick M. Sorge, Jr., Wyandanch, N.Y.**
[73] **Assignee: Fortune Five Packaging Corp.,
Wyandanch, N.Y.**
[**] **Term: 14 Years**

D. 376,520 12/1996 Morin D8/21 X
3,085,280 4/1963 Cline D19/47 X
3,657,944 4/1972 Able 81/177.2
3,843,981 10/1974 Verest 7/170
4,115,669 9/1978 Cali 16/115 X
4,297,916 11/1981 Burroughs 16/114 R X
4,510,651 4/1985 Prete, Jr. et al. 16/114 R X
5,033,337 7/1991 Thomas, III 81/177.2

[21] **Appl. No.: 55,084**
[22] **Filed: May 29, 1996**

FOREIGN PATENT DOCUMENTS

387366 7/1908 France 81/177.2

Related U.S. Application Data

[62] **Division of Ser. No. 35,973, Mar. 10, 1995, abandoned.**
[51] **LOC (6) Cl. 08-05**
[52] **U.S. Cl. D8/21; D8/107; D8/DIG. 7**
[58] **Field of Search D8/21, 22, 24,
D8/25, 28, 29, 107, DIG. 7; 81/119, 2,
121.1, 177.2; 7/170, 100; 16/114 R, 115;
74/544; D4/102**

Primary Examiner—Martie Thompson
Attorney, Agent, or Firm—Collard & Roe, P.C.

[57] **CLAIM**

The ornamental design for a universal ratchet handle, as shown and described.

DESCRIPTION

FIG. 1 is a perspective view of a universal ratchet handle showing my new design;
FIG. 2 is a right side elevational view of the universal ratchet handle, the left side elevational view being a mirror image thereof;
FIG. 3 is a top plan view thereof, the bottom plan view being identical thereto;
FIG. 4 is a rear elevational view thereof; and,
FIG. 5 is a front elevational view thereof.

[56] **References Cited**
U.S. PATENT DOCUMENTS

D. 29,985 1/1899 Allenton D8/28
112,238 2/1871 Gifford 81/2
D. 261,611 11/1981 Brannock D8/89
D. 331,650 12/1992 Newman, Sr. D8/DIG. 7 X
D. 334,095 3/1993 Beets et al. D4/102

1 Claim, 2 Drawing Sheets

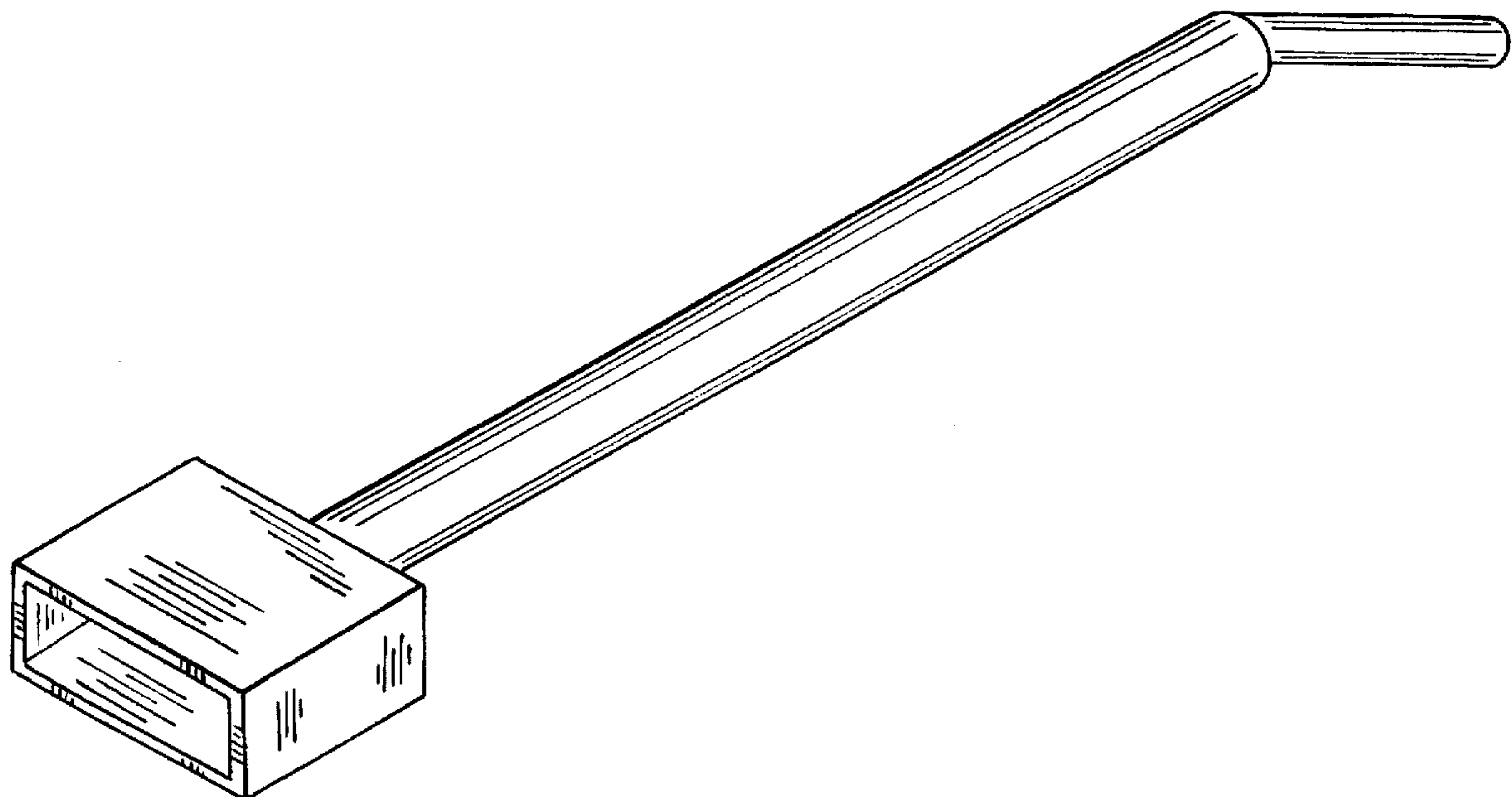


FIG. 1

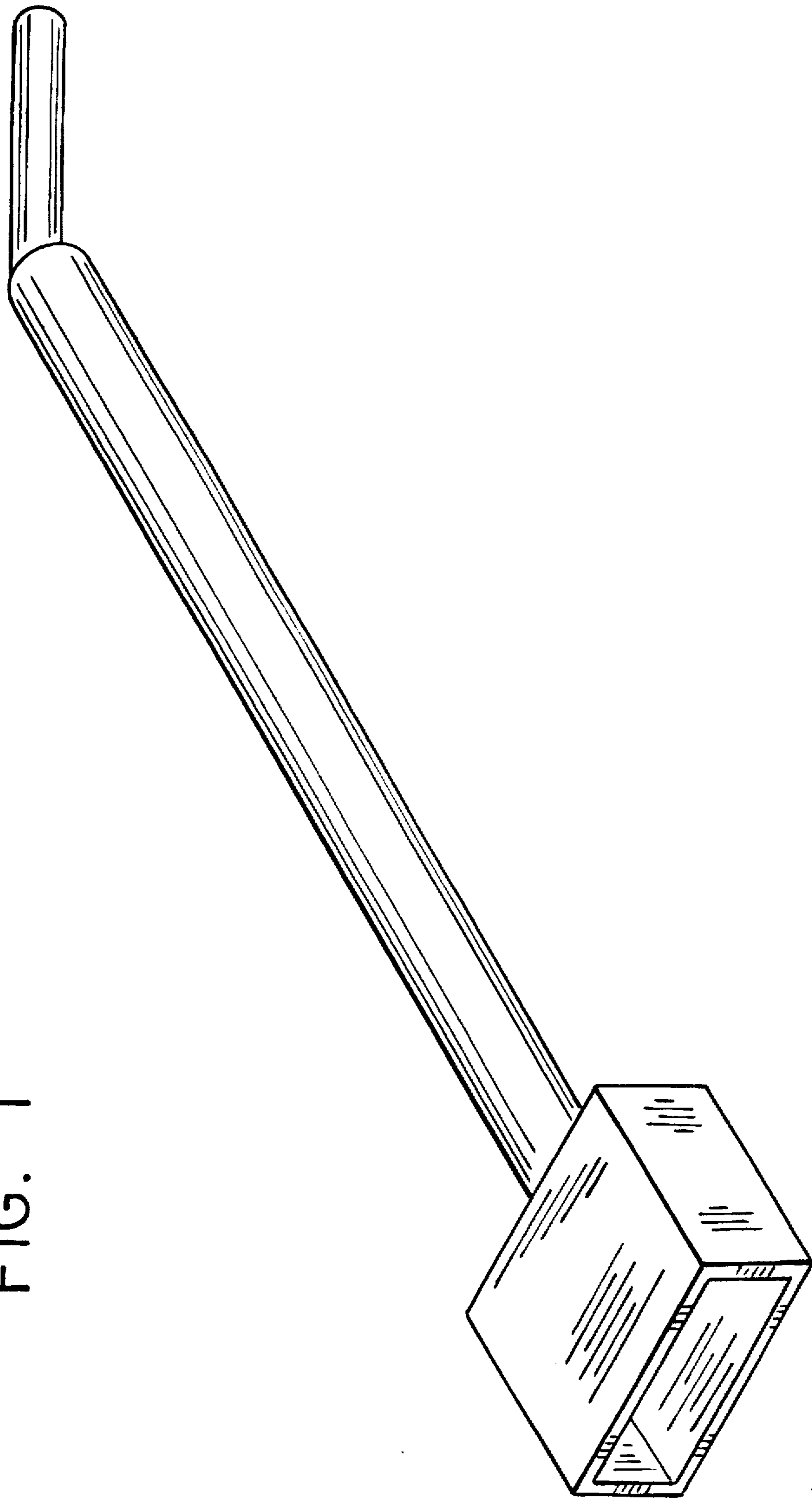


FIG. 2

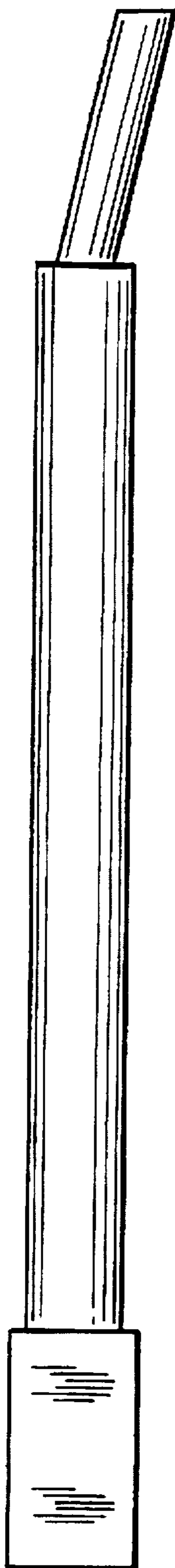


FIG. 3

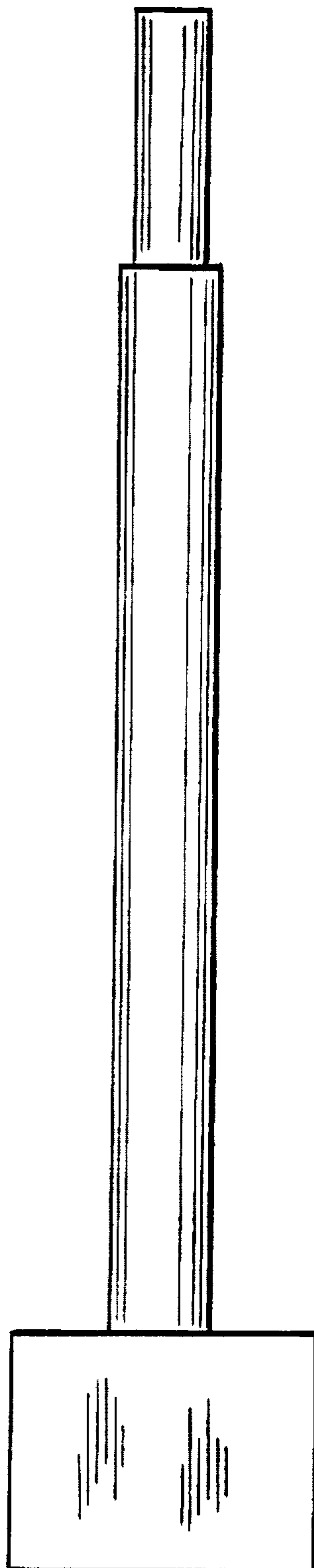


FIG. 4

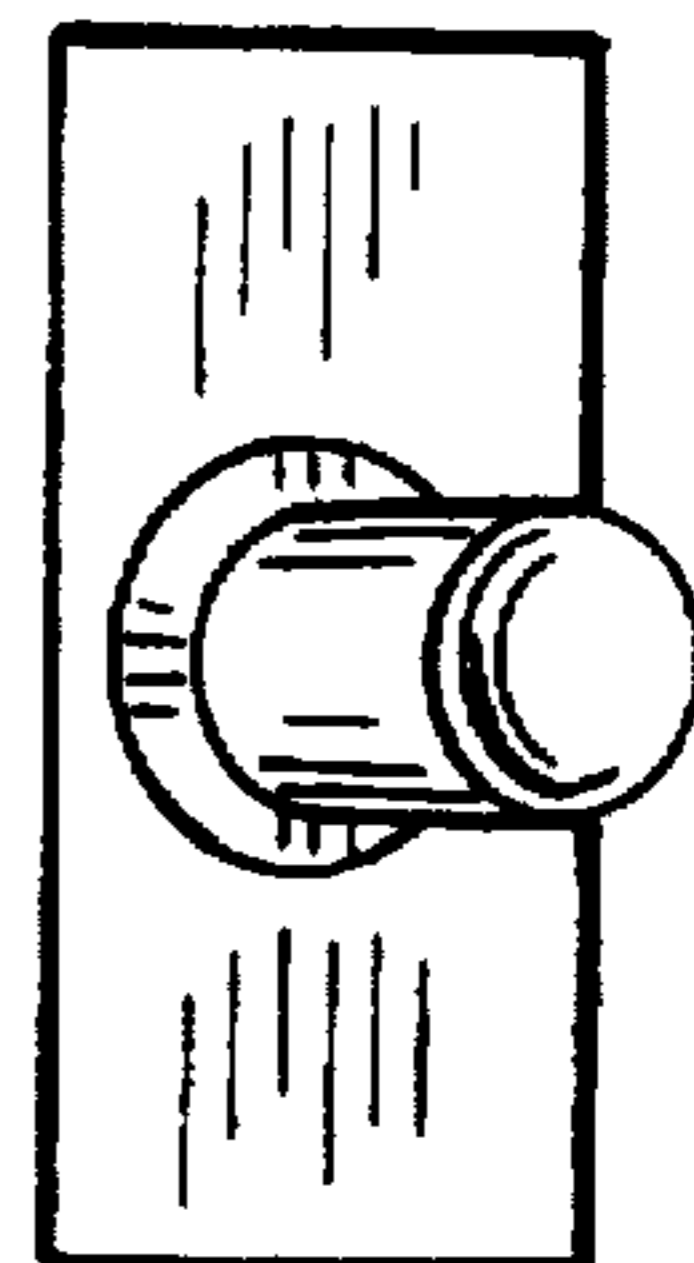


FIG. 5

