



US00D392524S

United States Patent [19]
Sorensen

[11] **Patent Number: Des. 392,524**
[45] **Date of Patent: **Mar. 24, 1998**

[54] **BELT TOOL**

3,138,963 6/1964 Prince 474/130
3,213,720 10/1965 Wallis et al. 81/176.1

[76] **Inventor: Edwin Jess Sorensen, 1300 Aspen Dr.,
Boulder City, Nev. 89005**

Primary Examiner—Philip S. Hyder
Assistant Examiner—Richelle Shelton
Attorney, Agent, or Firm—John Edward Roethel

[**] **Term: 14 Years**

[57] **CLAIM**

[21] **Appl. No.: 73,472**

The ornamental design for a belt tool, as shown and described.

[22] **Filed: Jul. 9, 1997**

DESCRIPTION

[51] **LOC (6) Cl. 08-05**

[52] **U.S. Cl. D8/14**

[58] **Field of Search D8/14; 474/130;
81/176.1**

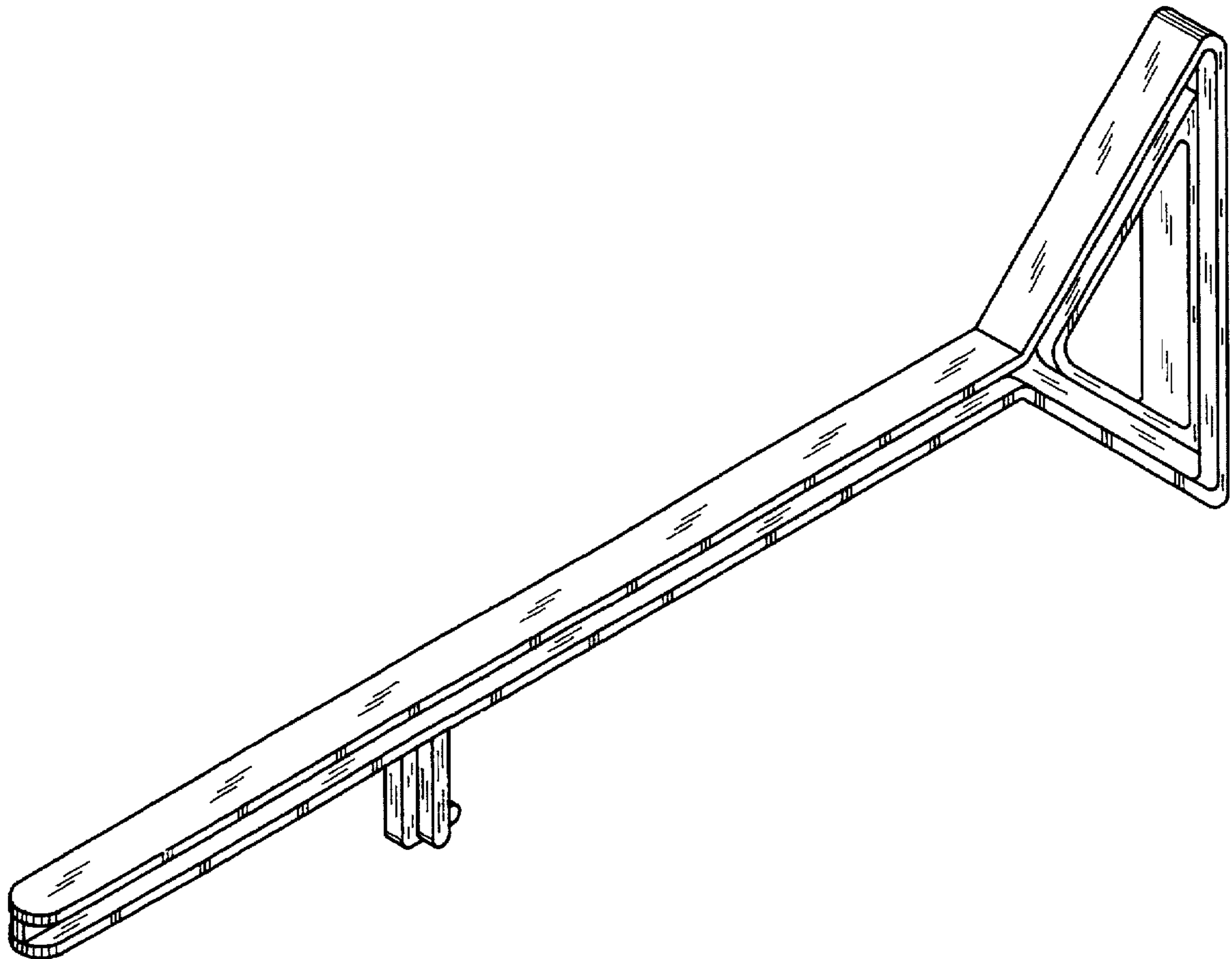
FIG. 1 is an isometric view of the belt tool showing my new design;
FIG. 2 is a front elevational view thereof;
FIG. 3 is a rear elevational view thereof;
FIG. 4 is a top plan view thereof;
FIG. 5 is a bottom plan view thereof;
FIG. 6 is a left elevational view thereof; and,
FIG. 7 is a right elevational view thereof.

[56] **References Cited**

U.S. PATENT DOCUMENTS

D. 269,492 6/1983 Peggs D8/14
2,470,810 5/1949 Engard et al. 474/130 X
2,505,216 4/1950 Simmons et al. 474/130

1 Claim, 4 Drawing Sheets



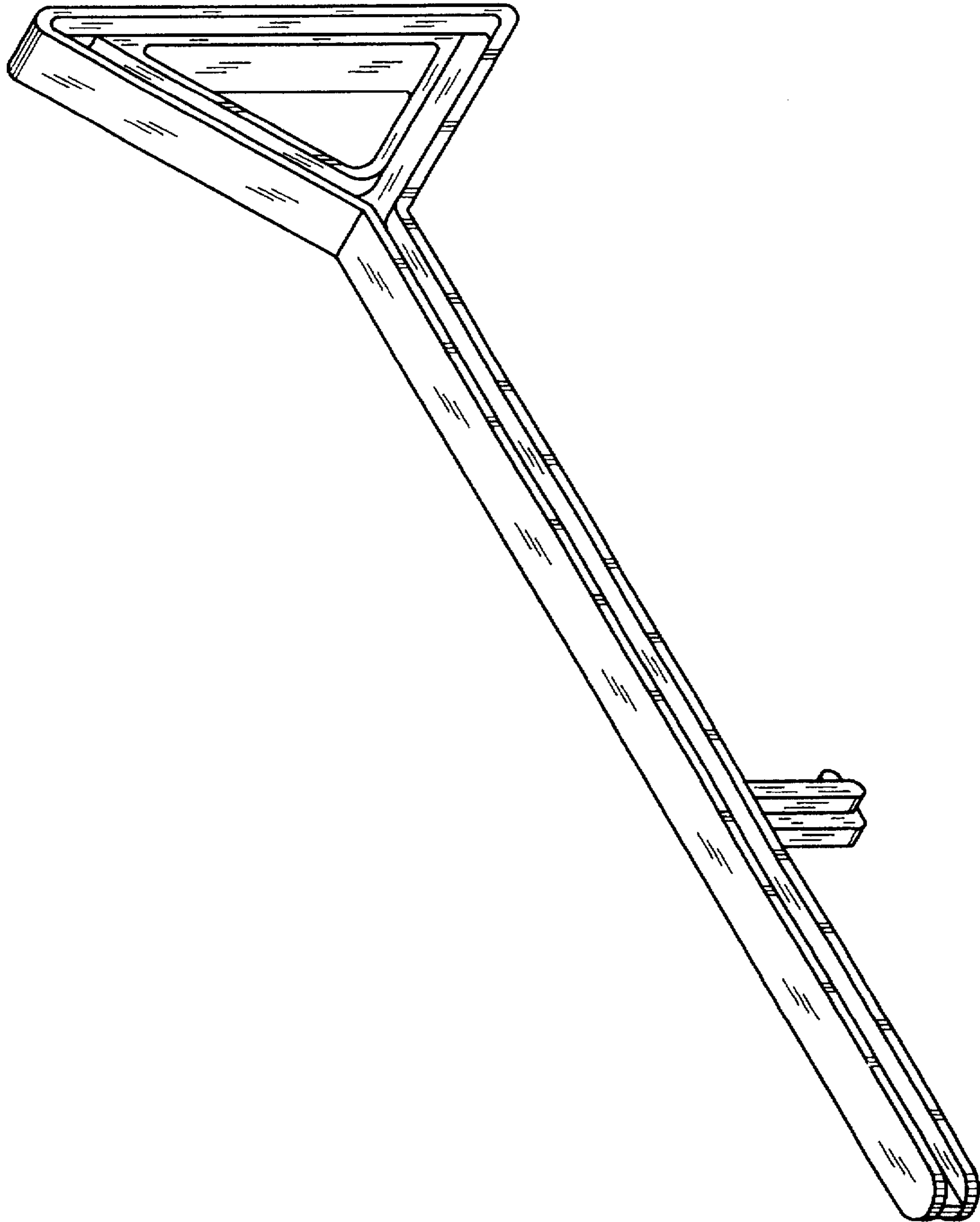


FIG-1



FIG-3



FIG-2

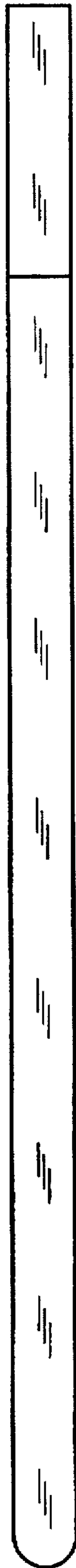


FIG-4



FIG-5

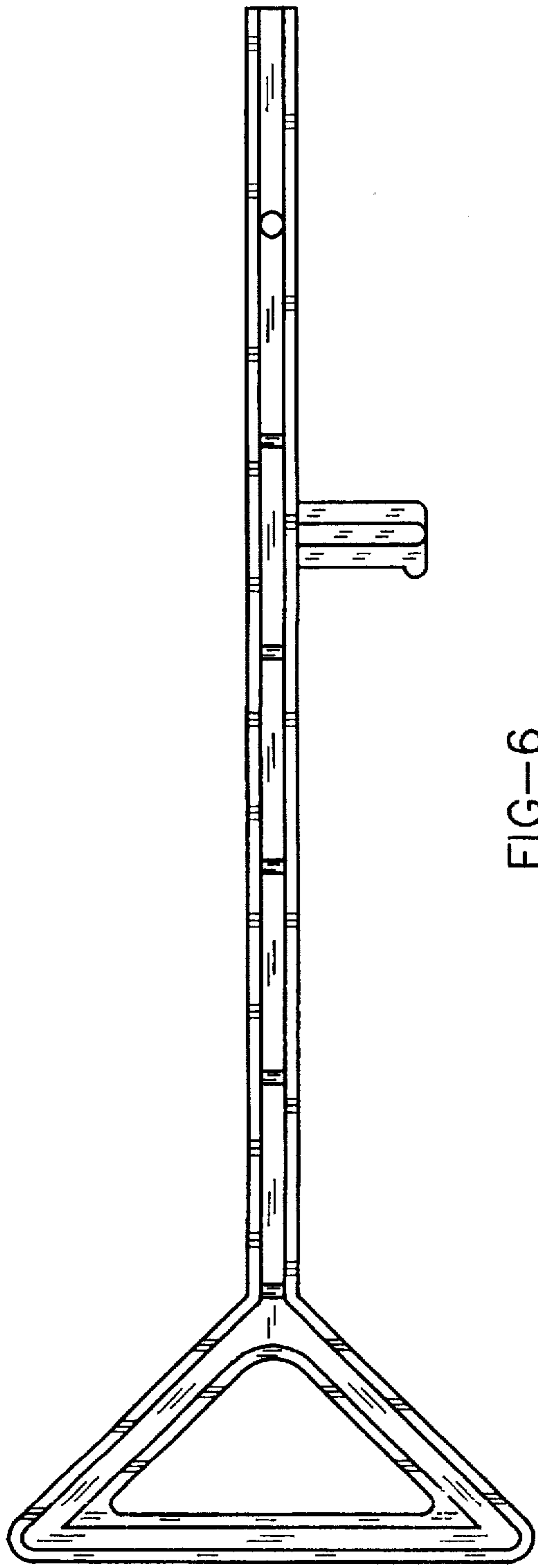


FIG-6

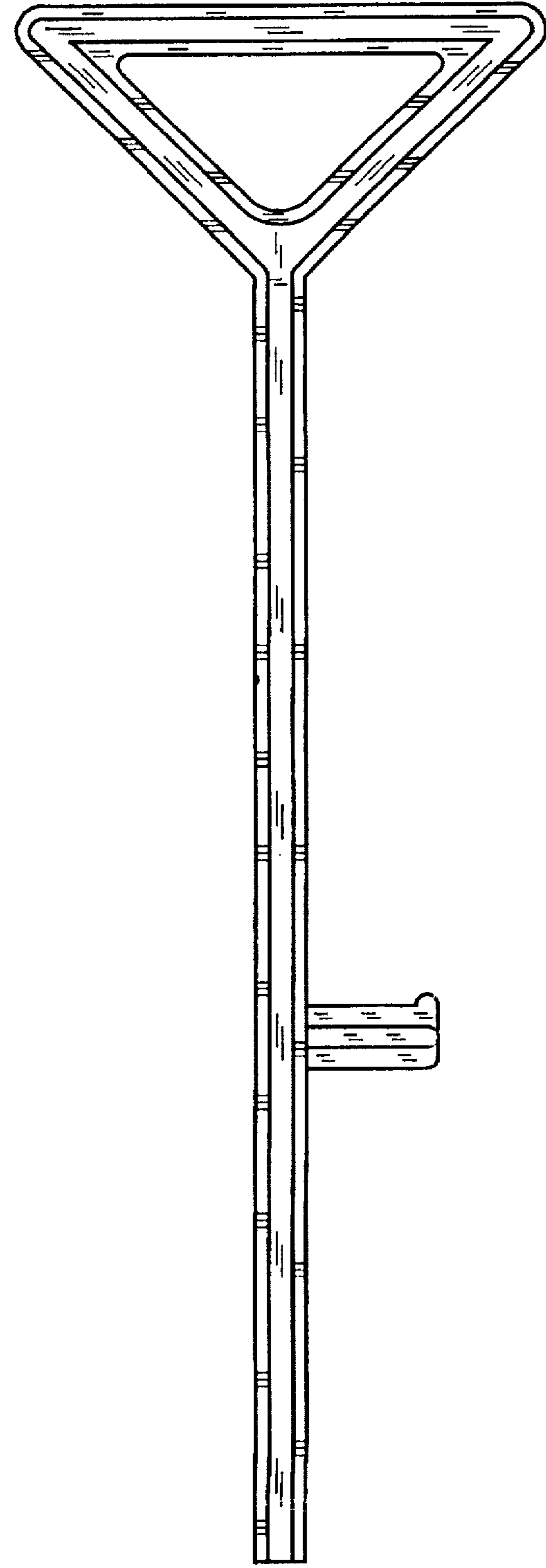


FIG-7