

US00D392523S

United States Patent [19]
Alworth

[11] **Patent Number: Des. 392,523**
[45] **Date of Patent: **Mar. 24, 1998**

[54] **FLUID MIXER**

FOREIGN PATENT DOCUMENTS

[76] **Inventor: Charles Wesley Alworth, 502
Cumberland Rd., Tyler, Tex.
75703-5415**

345828 12/1921 Germany 416/185

[**] **Term: 14 Years**

Primary Examiner—Philip S. Hyder
Assistant Examiner—Richelle Shelton
Attorney, Agent, or Firm—Charles W. Alworth

[21] **Appl. No.: 55,112**

[57] **CLAIM**

[22] **Filed: May 29, 1996**

The ornamental design for a fluid mixer, as shown and described.

[51] **LOC (6) Cl. 08-05**

DESCRIPTION

[52] **U.S. Cl. D8/14**

[58] **Field of Search D8/14, 70; D7/376;
D15/19; 366/343, 605; 416/185**

FIG. 1 is a front and right side isometric view of a fluid mixer showing my new design as seen from the top, the rear and left side isometric view being identical;

[56] **References Cited**

U.S. PATENT DOCUMENTS

D. 277,729	2/1985	Maxwell	D8/14
D. 290,084	6/1987	Klapperich	D8/14
D. 316,100	4/1991	Kief	D15/19
426,263	4/1890	Goff	416/185 X
1,766,171	6/1930	Hetherington	366/343 X
2,879,044	3/1959	Gunas	416/185
4,176,797	12/1979	Kemp	366/605 X

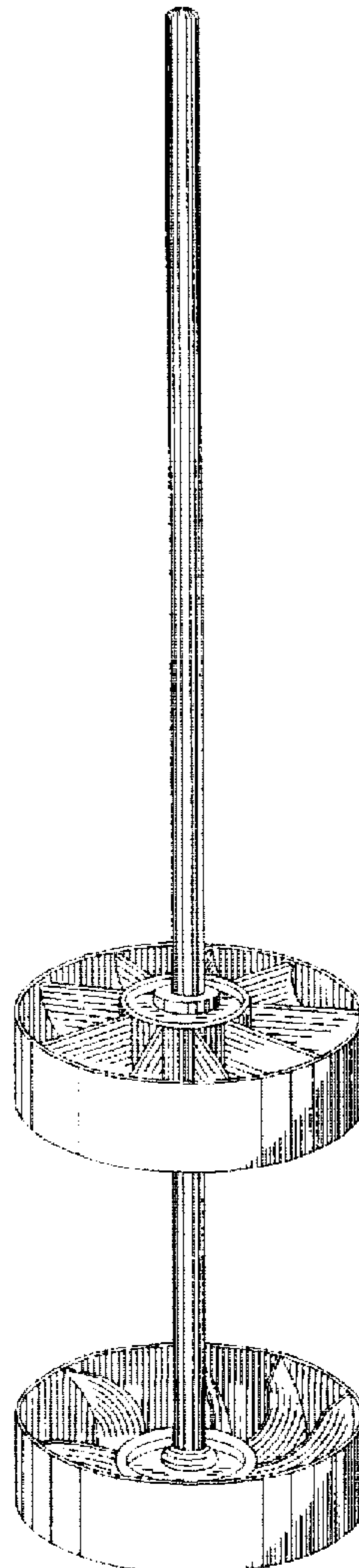
FIG. 2 is a front and right side isometric view as seen from the bottom thereof, the rear and left side isometric view being identical;

FIG. 3 is a top plan view thereof;

FIG. 4 is a bottom plan view thereof; and,

FIG. 5 is a front elevation view thereof, the rear, right side, and left side elevation views being identical.

1 Claim, 5 Drawing Sheets



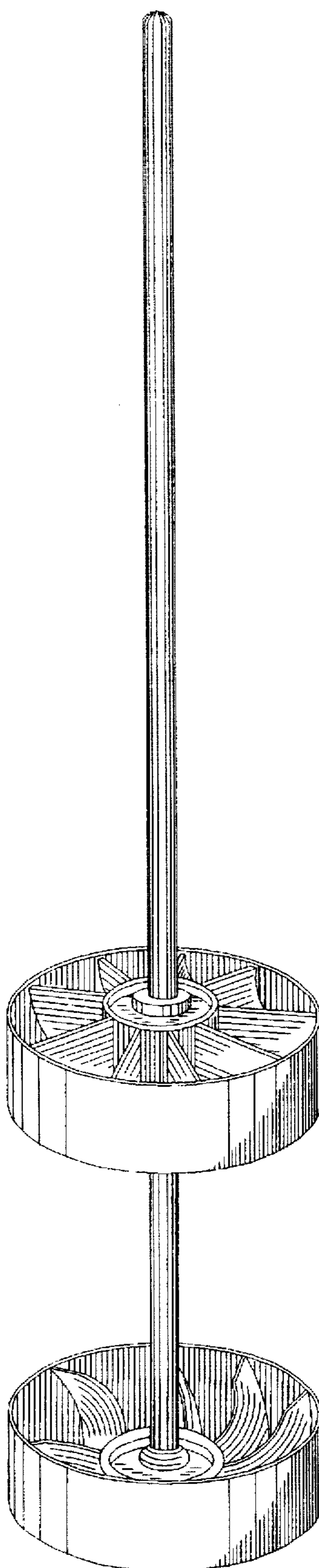


FIGURE 1

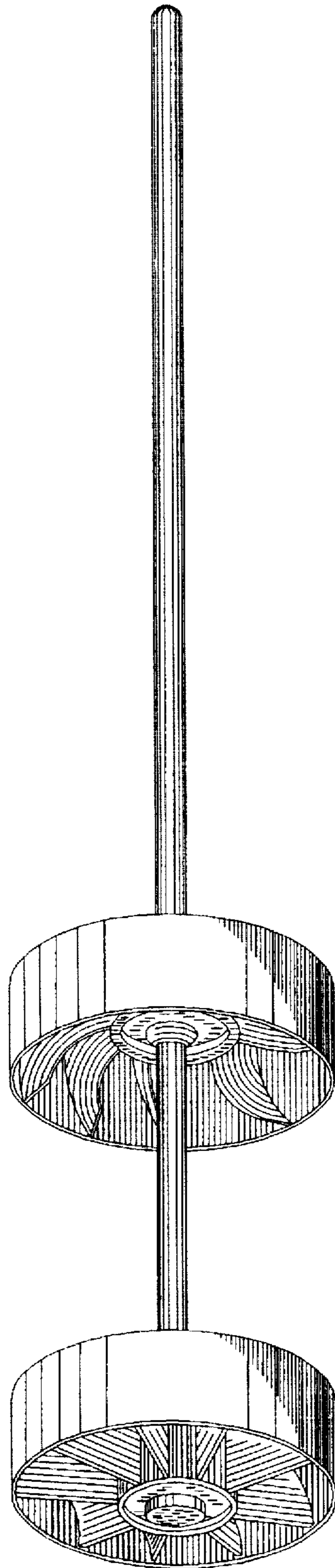


FIGURE 2

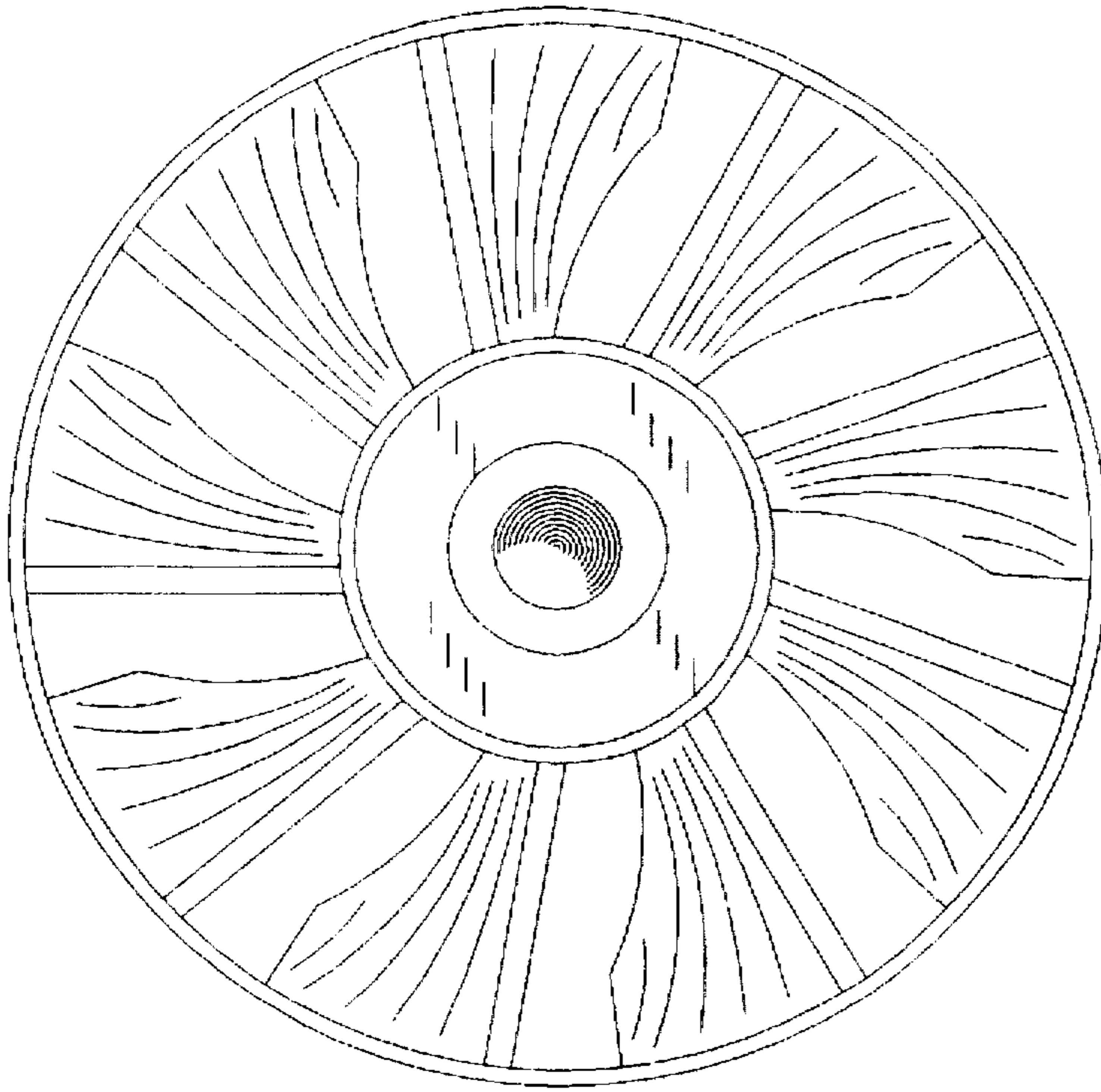


FIGURE 3

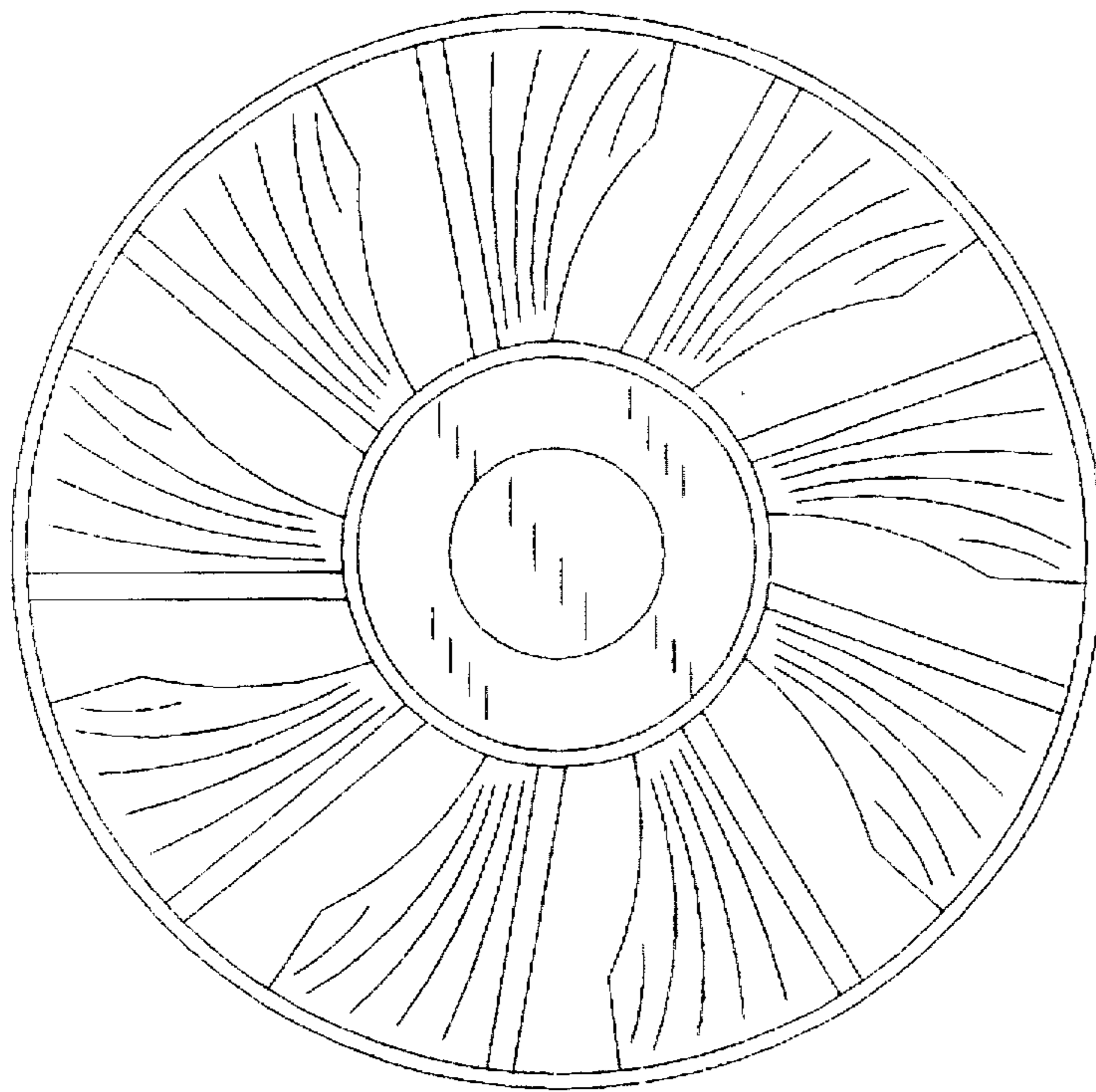


FIGURE 4

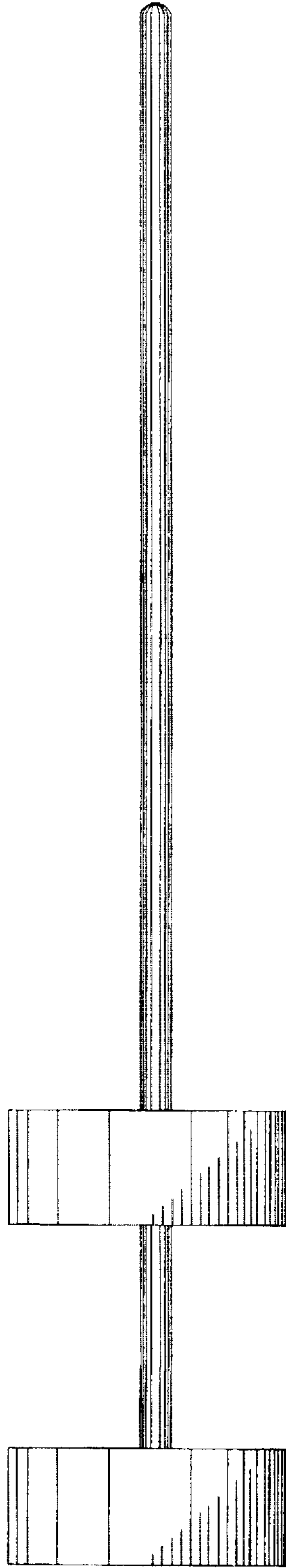


FIGURE 5